



US00D757678S

(12) **United States Design Patent**  
**Kelly et al.**

(10) **Patent No.:** **US D757,678 S**  
(45) **Date of Patent:** **\*\* May 31, 2016**

- (54) **PORTABLE SPEAKER**
- (71) Applicant: **Skullcandy, Inc.**, Park City, UT (US)
- (72) Inventors: **Peter M. Kelly**, Park City, UT (US);  
**David G. Vogt, Jr.**, Salt Lake city, UT (US); **Donald C. Stiff**, Portland, OR (US); **Lucas Wright-Moore**, Salt Lake City, UT (US)
- (73) Assignee: **Skullcandy, Inc.**, Park City, UT (US)
- (\*\*) Term: **14 Years**
- (21) Appl. No.: **29/497,633**
- (22) Filed: **Jul. 25, 2014**
- (51) **LOC (10) Cl.** ..... **14-01**
- (52) **U.S. Cl.**  
USPC ..... **D14/204**
- (58) **Field of Classification Search**  
USPC ..... D3/20, 200, 201, 273; D7/601, 602, D7/615, 630; D9/414, 420, 423, 432; D14/203.1, 204, 210, 212, 214, 221, D14/314, 348, 365; 181/143, 144, 147, 148, 181/150, 153, 157, 198, 199; 381/300-302, 381/336, 345, 361-364, 386-388; 369/6-11  
CPC ..... H04R 1/02; H04R 1/021; H04R 1/023; H04R 5/00; H04R 9/06; H04R 2420/07  
See application file for complete search history.

- D584,287 S \* 1/2009 Pauschitz et al. .... D14/214
- D610,125 S \* 2/2010 Ichikawa et al. .... D14/188
- D623,627 S 9/2010 Alden et al.
- D624,057 S 9/2010 Kelly et al.
- D634,729 S \* 3/2011 Endo et al. .... D14/188
- D641,003 S 7/2011 Alden
- 8,014,824 B2 9/2011 Alden

(Continued)

**FOREIGN PATENT DOCUMENTS**

- CA 2515558 A1 2/2007
- CA 2697029 A1 2/2007

(Continued)

*Primary Examiner* — Derrick Holland  
*Assistant Examiner* — Janice Lim  
(74) *Attorney, Agent, or Firm* — TraskBritt

(57) **CLAIM**

The ornamental design for a portable speaker, as shown and described.

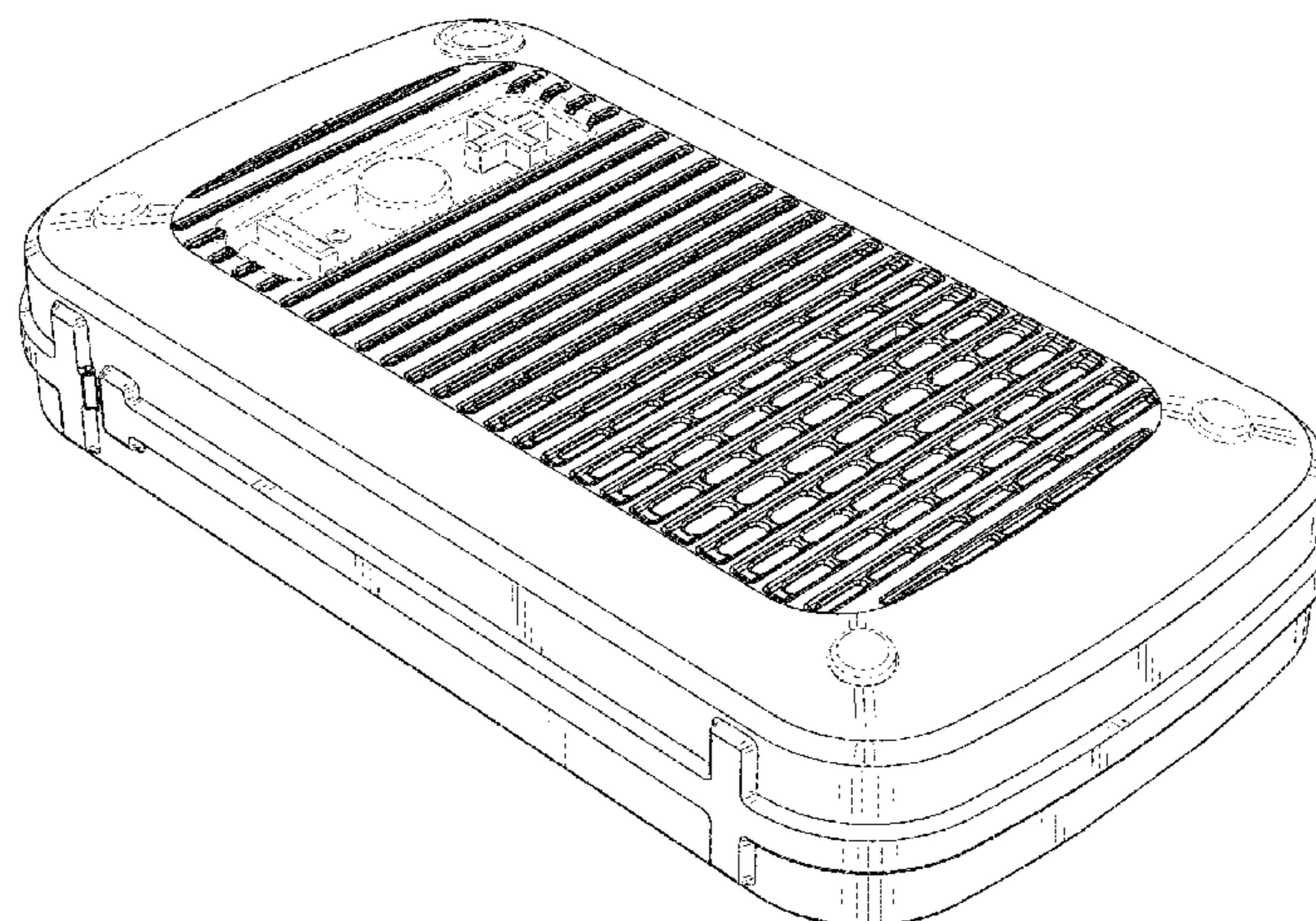
**DESCRIPTION**

FIG. 1 is a perspective view of a portable speaker, showing our new design.  
FIG. 2 is a top plan view of the portable speaker shown in FIG. 1.  
FIG. 3 is a bottom plan view of the portable speaker shown in FIG. 1.  
FIG. 4 is a left side view of the portable speaker shown in FIG. 1.  
FIG. 5 is a right side view of the portable speaker shown in FIG. 1.  
FIG. 6 is a back view of the portable speaker shown in FIG. 1; and,  
FIG. 7 is a front view of the portable speaker shown in FIG. 1.  
The broken line portions of FIGS. 1-7 are included to show unclaimed subject matter only and form no part of the claimed design.

**1 Claim, 3 Drawing Sheets**

(56) **References Cited**  
**U.S. PATENT DOCUMENTS**

- D400,206 S \* 10/1998 Mahgerefteh ..... D14/188
- D491,358 S \* 6/2004 Hofman et al. .... D3/273
- D527,182 S \* 8/2006 Ham ..... D3/294
- 7,187,948 B2 3/2007 Alden
- D542,272 S \* 5/2007 Shiono ..... D14/214
- D549,213 S \* 8/2007 Warden ..... D14/188
- 7,395,090 B2 7/2008 Alden



(56)

**References Cited**

U.S. PATENT DOCUMENTS

|              |         |                 |
|--------------|---------|-----------------|
| D650,356 S   | 12/2011 | Alden et al.    |
| D656,129 S   | 3/2012  | Kelly et al.    |
| D665,776 S   | 8/2012  | Alden et al.    |
| D665,777 S   | 8/2012  | Alden et al.    |
| D673,136 S   | 12/2012 | Kelly et al.    |
| D673,140 S   | 12/2012 | Kelly et al.    |
| D674,372 S   | 1/2013  | Kelly et al.    |
| D674,376 S   | 1/2013  | Kelly et al.    |
| D676,023 S   | 2/2013  | Kelly et al.    |
| D676,024 S   | 2/2013  | Kelly et al.    |
| D677,241 S   | 3/2013  | Kelly et al.    |
| D683,717 S   | 6/2013  | Kelly et al.    |
| 8,457,557 B2 | 6/2013  | Alden           |
| D685,759 S   | 7/2013  | Kelly et al.    |
| D685,767 S   | 7/2013  | Kelly et al.    |
| 8,515,115 B2 | 8/2013  | Kelly et al.    |
| D689,464 S   | 9/2013  | Bonahoom et al. |
| 8,542,859 B2 | 9/2013  | Alden           |
| D691,582 S   | 10/2013 | Nguyen et al.   |
| D693,793 S   | 11/2013 | Kelly et al.    |
| D699,216 S   | 2/2014  | Bonahoom et al. |
| D701,193 S   | 3/2014  | Kelly et al.    |

|                  |         |                   |
|------------------|---------|-------------------|
| D701,196 S       | 3/2014  | Kelly et al.      |
| D701,197 S       | 3/2014  | Kelly et al.      |
| D707,654 S       | 6/2014  | Nguyen et al.     |
| 2011/0036735 A1* | 2/2011  | Cho ..... 206/349 |
| 2012/0275615 A1  | 11/2012 | Kelly et al.      |
| 2013/0118944 A1  | 5/2013  | Niuro et al.      |
| 2013/0130540 A1  | 5/2013  | Oman et al.       |
| 2013/0177165 A1  | 7/2013  | Oishi             |
| 2013/0177195 A1  | 7/2013  | Sze et al.        |
| 2013/0185905 A1  | 7/2013  | Stiff et al.      |
| 2013/0208909 A1  | 8/2013  | Mülder et al.     |
| 2013/0336514 A1  | 12/2013 | Kelly et al.      |
| 2014/0056459 A1  | 2/2014  | Oishi et al.      |
| 2014/0270228 A1  | 9/2014  | Oishi et al.      |
| 2014/0270230 A1  | 9/2014  | Oishi et al.      |

FOREIGN PATENT DOCUMENTS

|    |               |         |
|----|---------------|---------|
| EP | 1760896 A1    | 3/2007  |
| EP | 2262117 A1    | 12/2010 |
| WO | 2010068495 A2 | 6/2010  |
| WO | 2010124190 A2 | 10/2010 |
| WO | 2011085096 A2 | 7/2011  |
| WO | 2012024656 A2 | 2/2012  |

\* cited by examiner

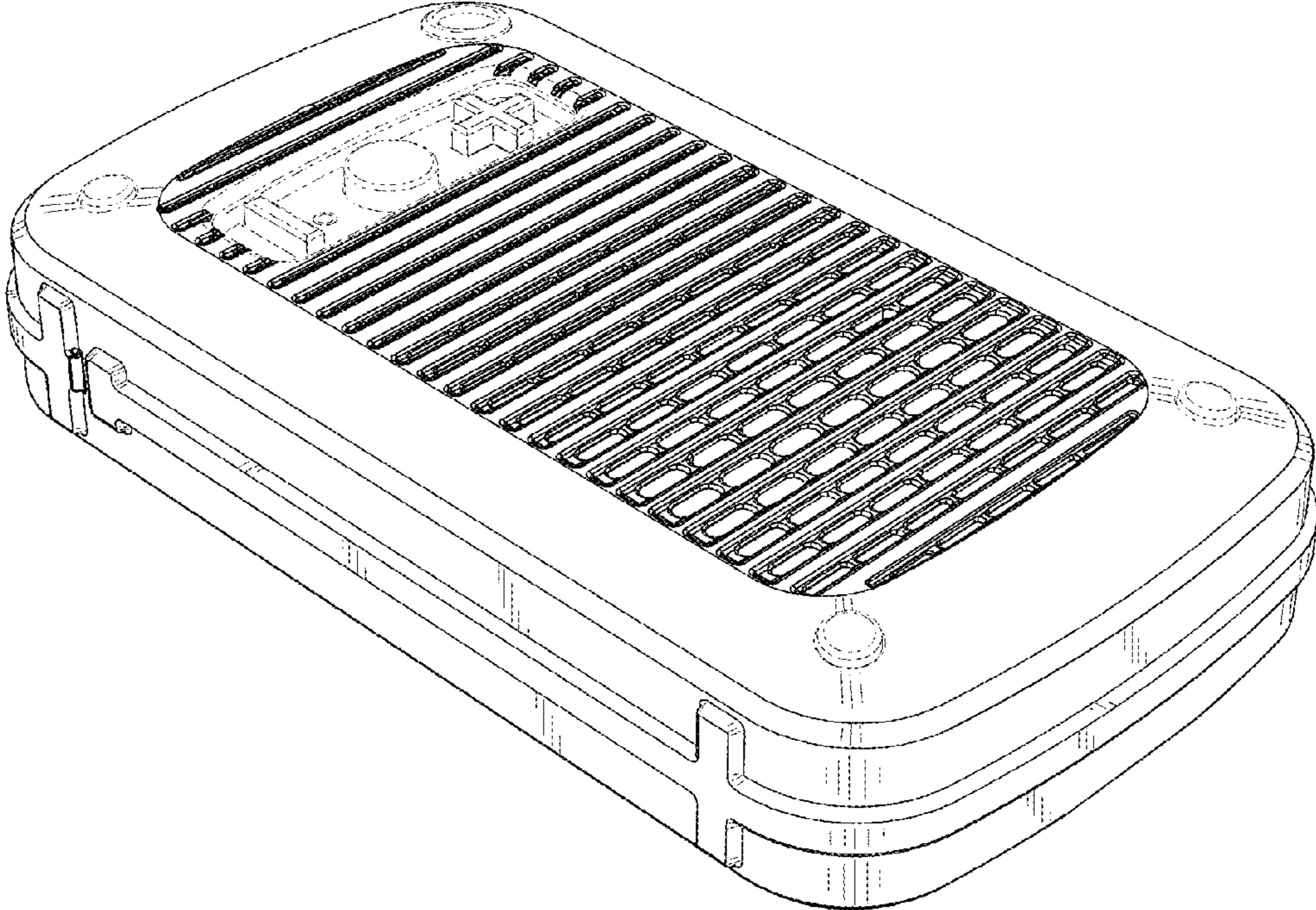


FIG. 1

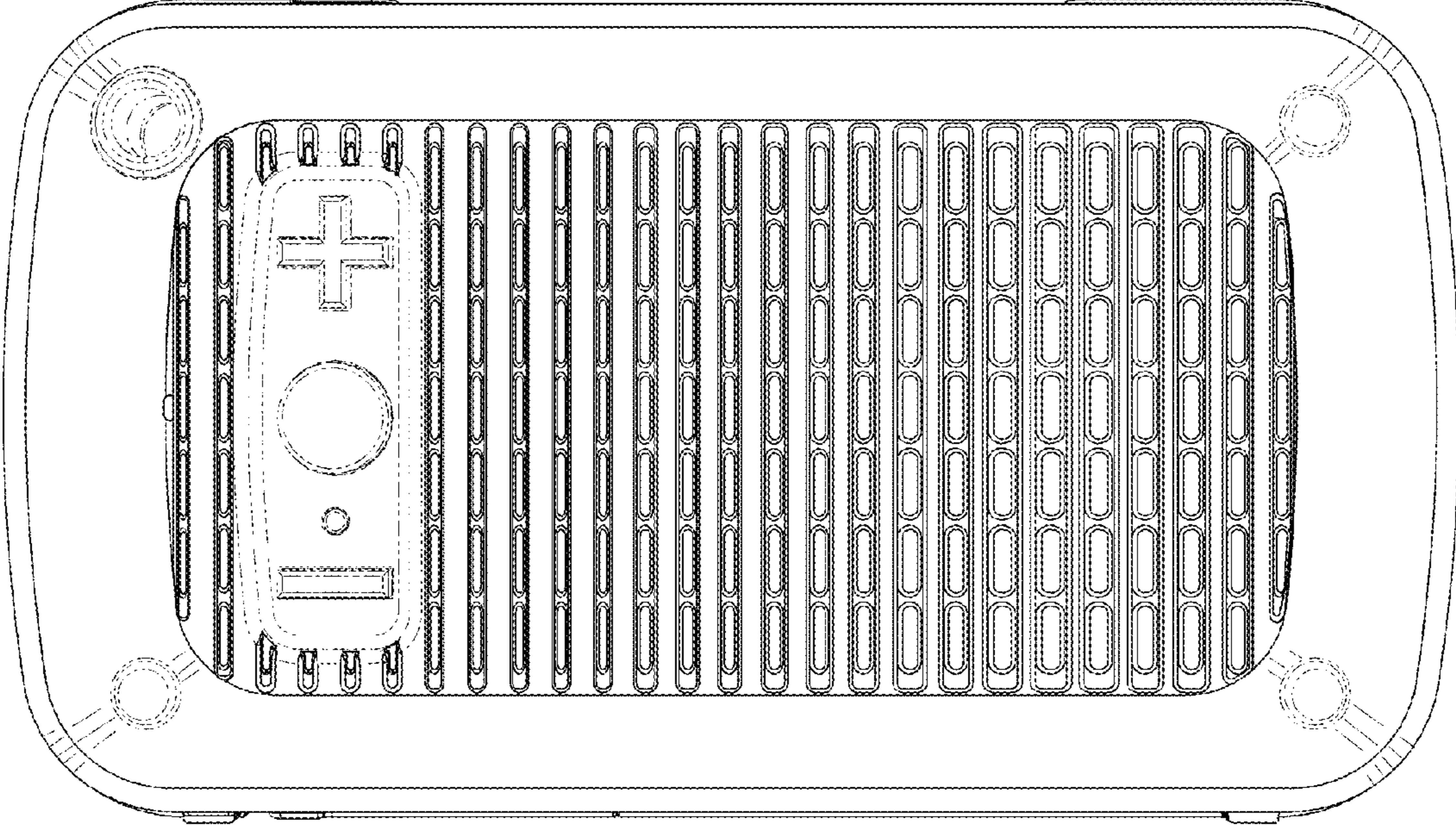


FIG. 2

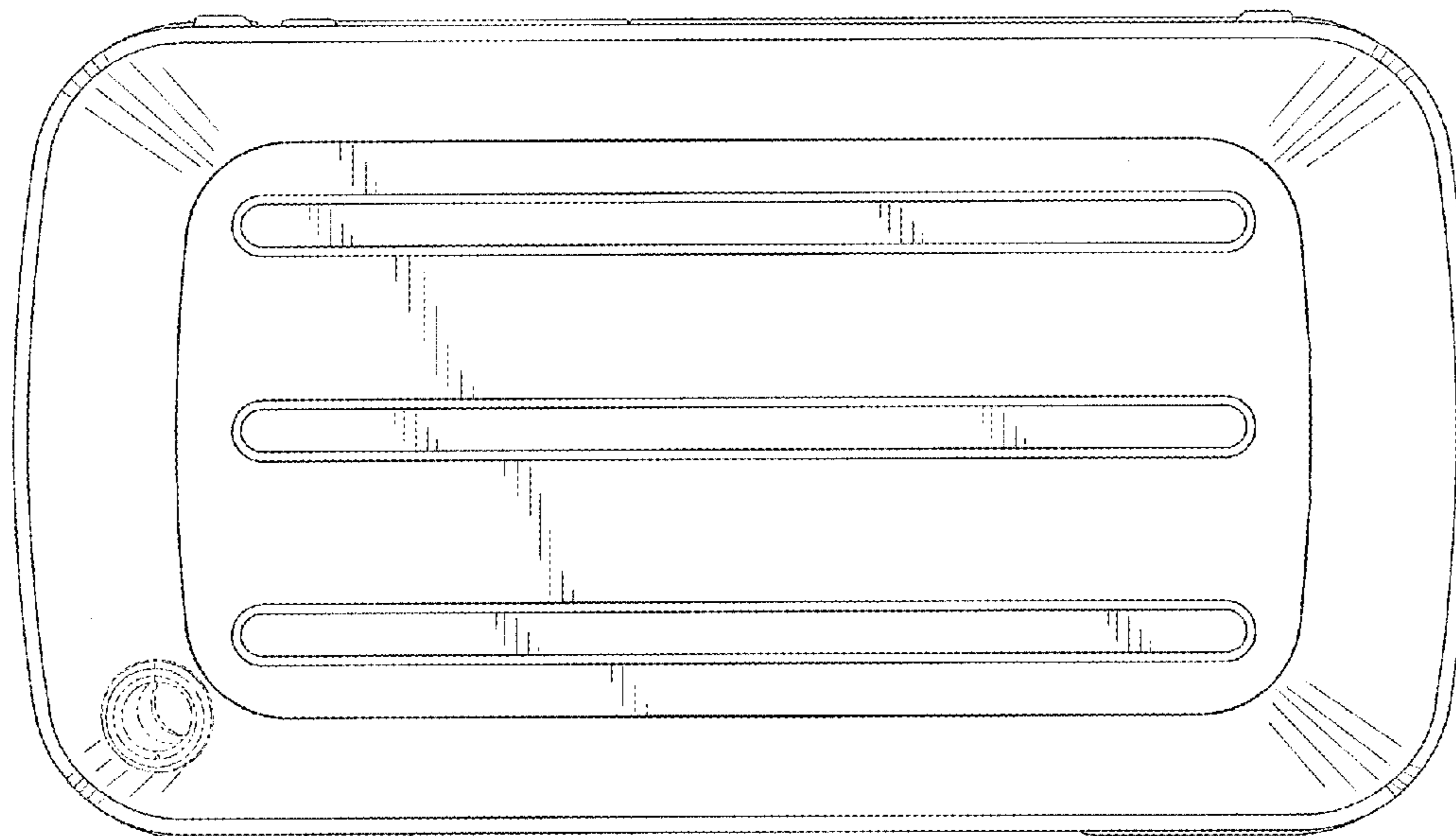


FIG. 3

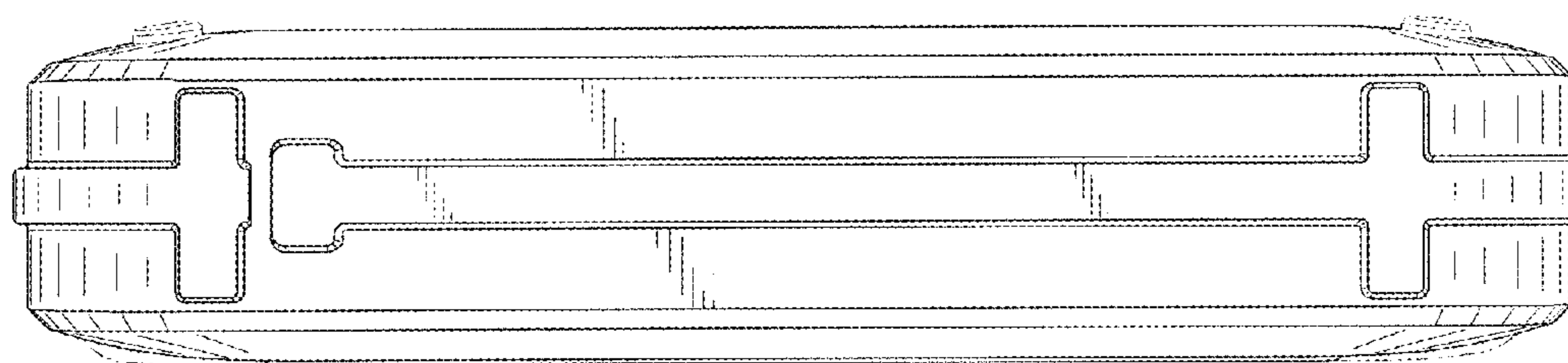


FIG. 4

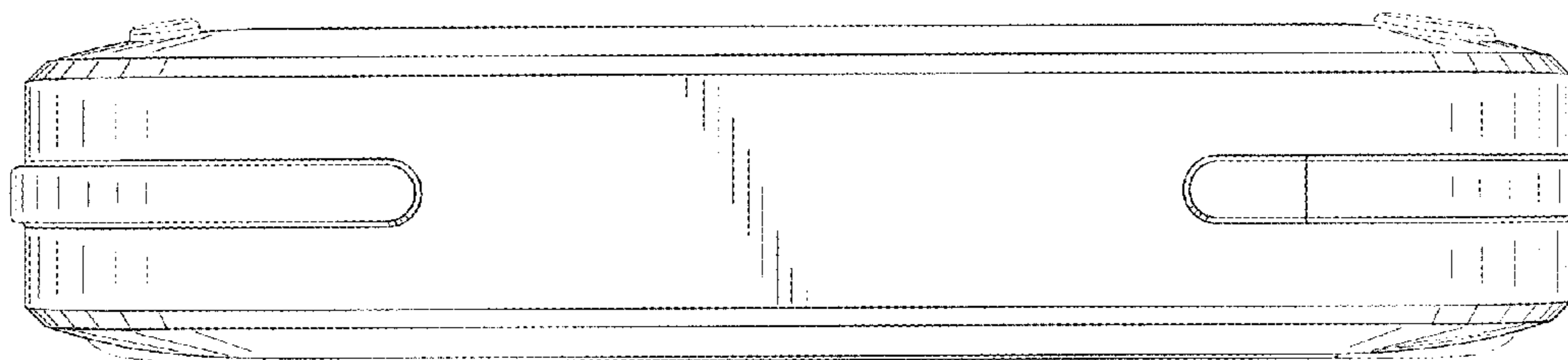
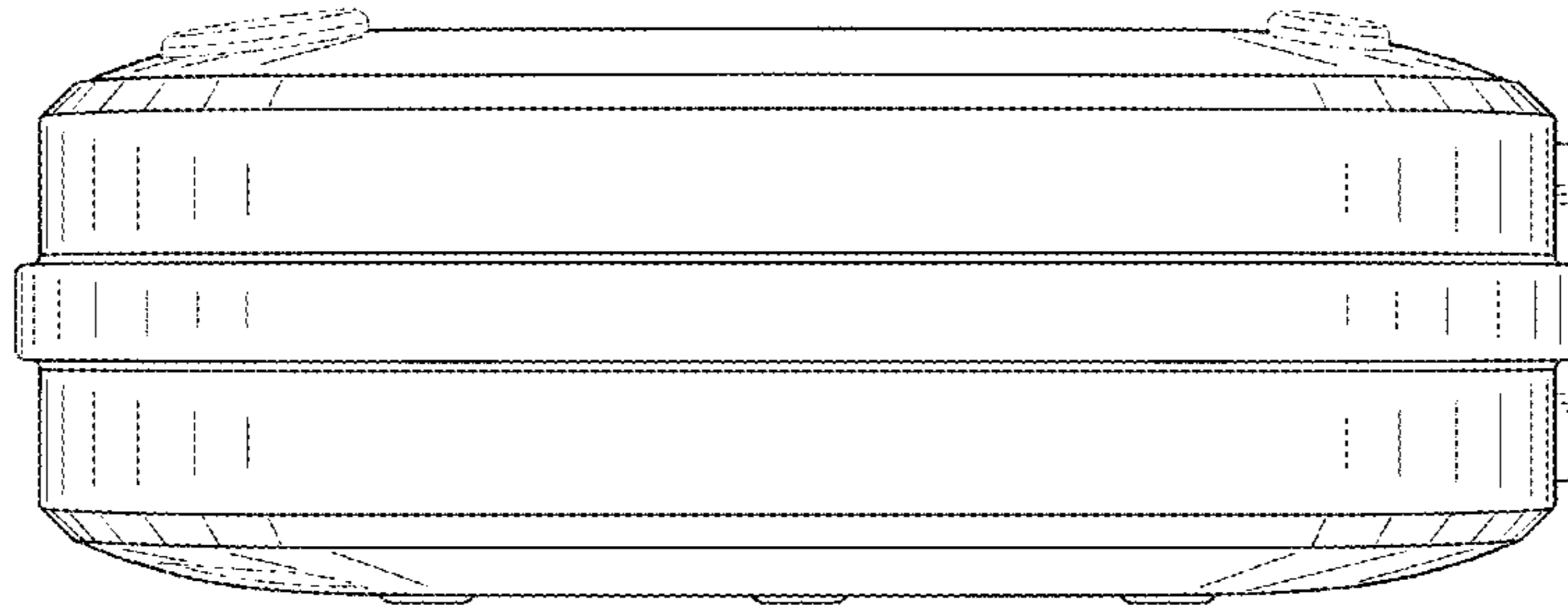
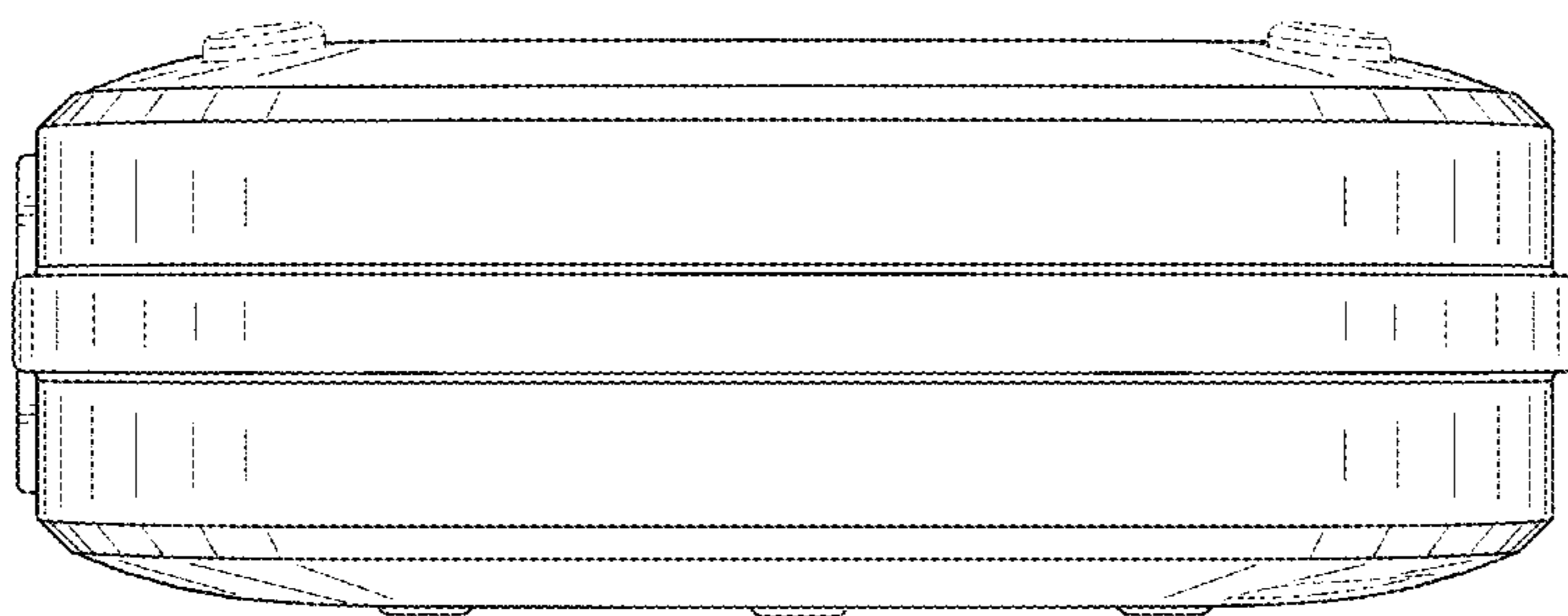


FIG. 5



**FIG. 6**



**FIG. 7**