



US00D757676S

(12) **United States Design Patent**
Hoehn

(10) **Patent No.:** **US D757,676 S**
(45) **Date of Patent:** **** May 31, 2016**

(54) **TELEPHONE**

D491,922 S * 6/2004 Poulet D14/218
D650,767 S * 12/2011 Lu et al. D14/148
D656,502 S * 3/2012 Cacioppo et al. D14/453

(71) Applicant: **GIBSON INNOVATIONS BELGIUM**
N.V., Leuven (BE)

FOREIGN PATENT DOCUMENTS

(72) Inventor: **Holger Hoehn, Hong Kong (CN)**

WO D015091-002 * 1/1990
WO D079257-001 * 4/2013
WO D079257-002 * 4/2013

(73) Assignee: **GIBSON INNOVATIONS BELGIUM**
N.V., Leuven (BE)

* cited by examiner

(**) Term: **14 Years**

Primary Examiner — Susan Bennett Hattan

(21) Appl. No.: **29/504,261**

Assistant Examiner — Leanne Was

(22) Filed: **Oct. 3, 2014**

(74) *Attorney, Agent, or Firm* — Bates & Bates, LLC

(30) **Foreign Application Priority Data**

(57) **CLAIM**

Jul. 29, 2014 (EM) 002510842-0001

The ornamental design for a telephone, as shown and described.

(51) **LOC (10) Cl.** **14-03**

DESCRIPTION

(52) **U.S. Cl.**
USPC **D14/148**

FIG. 1 is a perspective view of a telephone according to an embodiment of the claimed design;
FIG. 2 is another perspective view of the telephone of FIG. 1;
FIG. 3 is another perspective view of the telephone of FIG. 1, showing the handset separated from the base;
FIG. 4 is a left elevational view of the telephone of FIG. 1;
FIG. 5 is a right elevational view of the telephone of FIG. 1;
FIG. 6 is a top elevational view of the telephone of FIG. 1;
FIG. 7 is a front elevational view of the telephone of FIG. 1;
FIG. 8 is a bottom elevational view of the telephone of FIG. 1; and,
FIG. 9 is a back elevational view of the telephone of FIG. 1.
The broken lines in the Figures depict portions of the telephone that form no part of the claimed design.

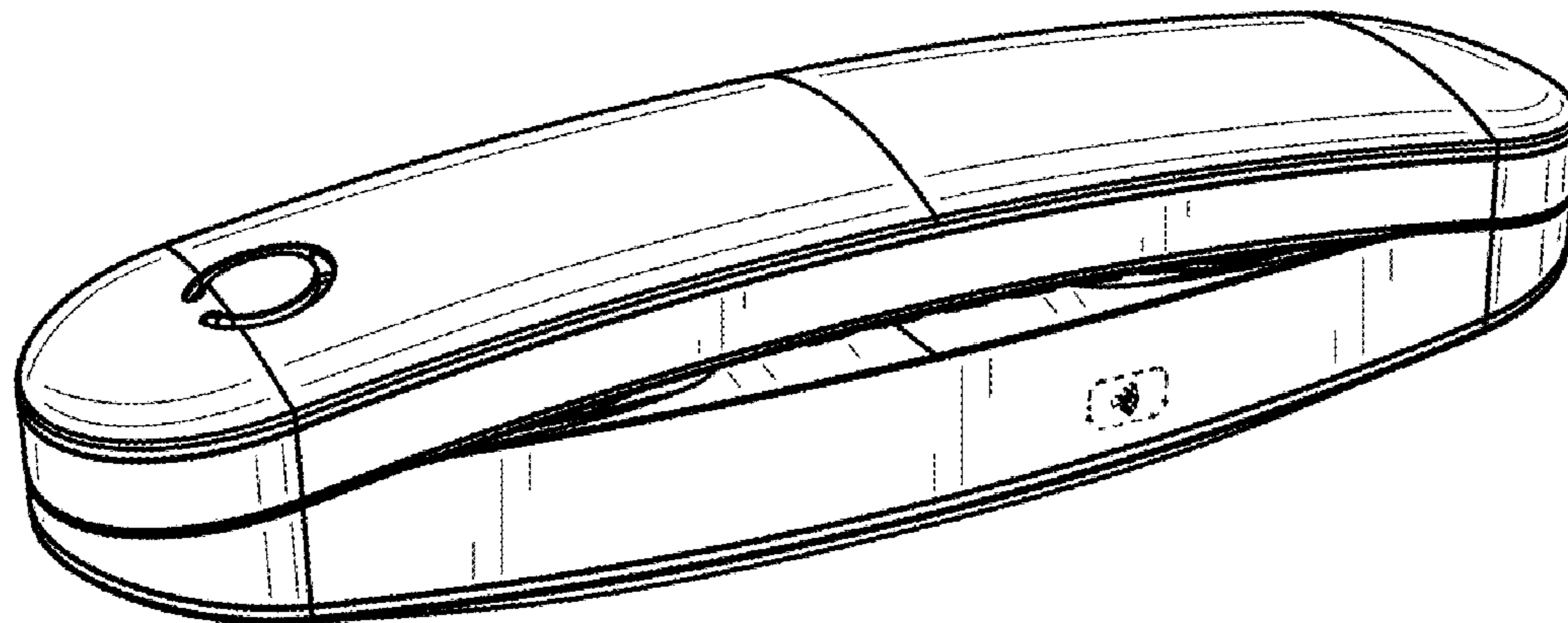
(58) **Field of Classification Search**
USPC D14/140, 142, 147, 148, 149, 150;
379/419, 436, 440, 447
See application file for complete search history.

(56) **References Cited**

U.S. PATENT DOCUMENTS

D344,272 S * 2/1994 Desbarats D14/248
D352,028 S * 11/1994 Siddoway et al. D14/138 AA
D354,061 S * 1/1995 Desbarats D14/248
D403,678 S * 1/1999 Hawley et al. D14/149
D437,589 S * 2/2001 Zeitman D14/148
D460,066 S * 7/2002 Hillenmayer D14/248

1 Claim, 5 Drawing Sheets



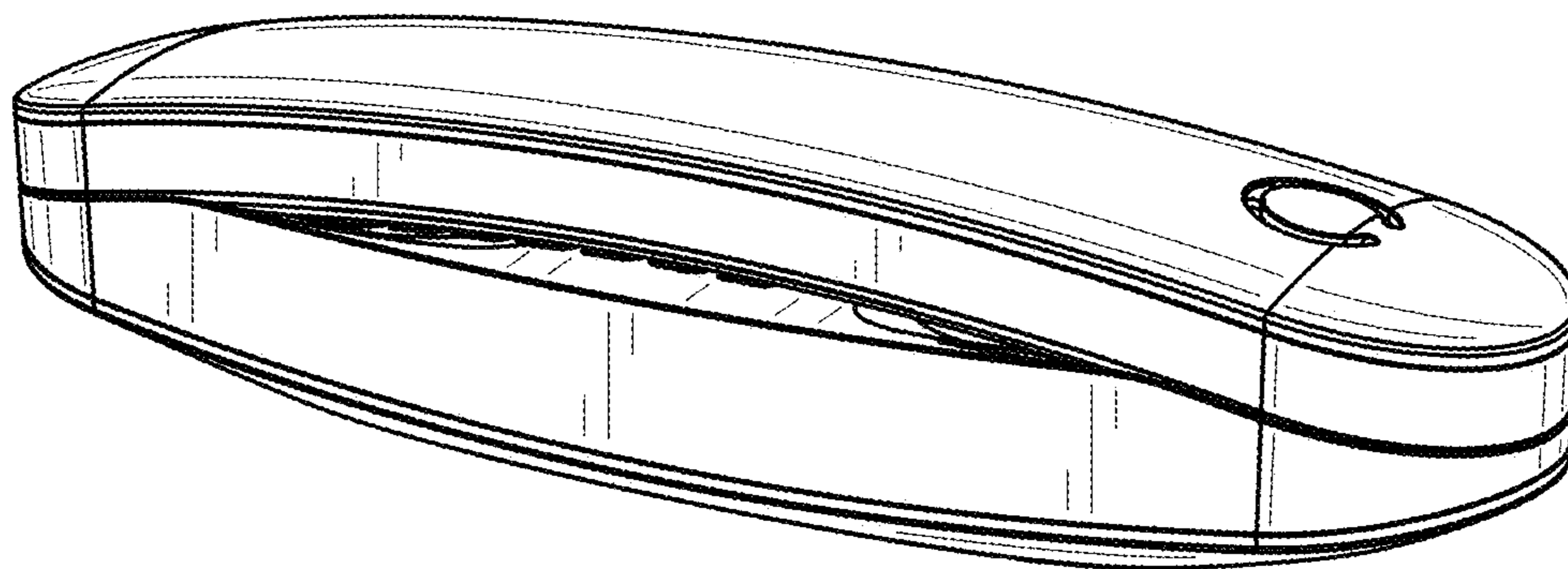


FIG. 1

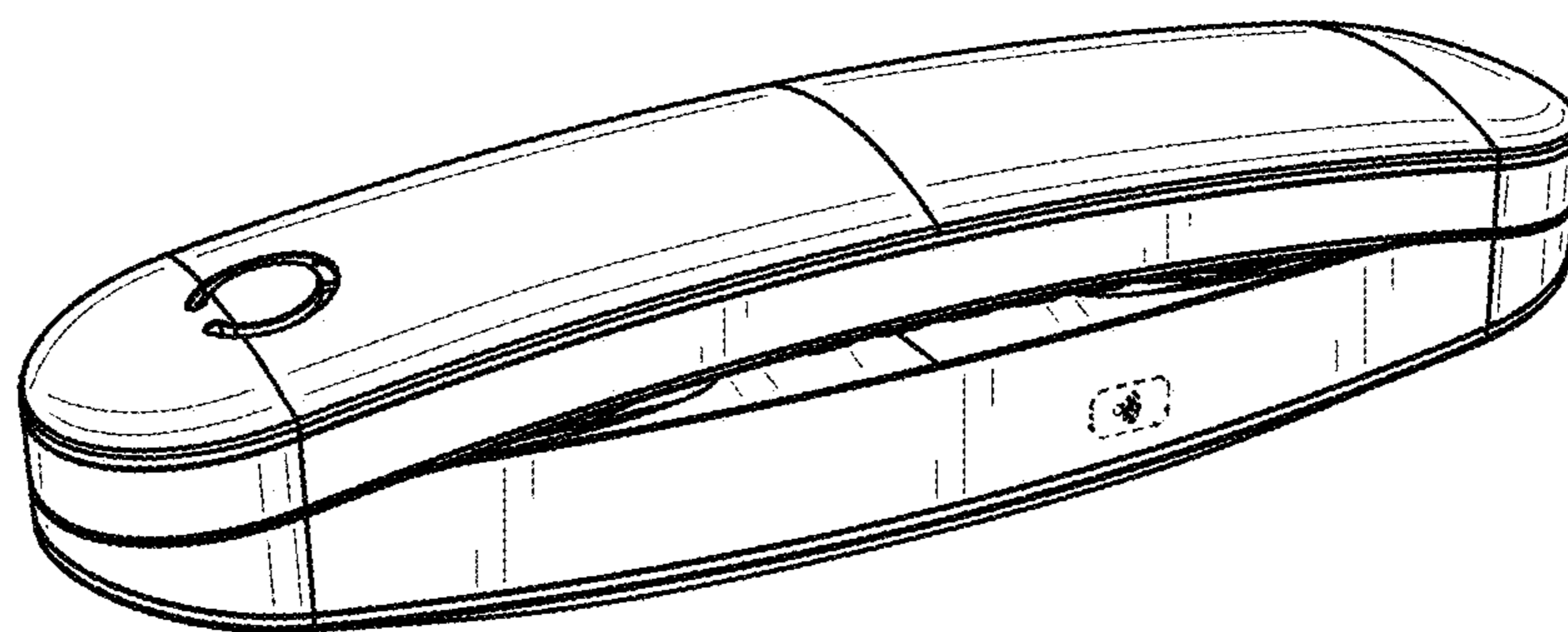


FIG. 2

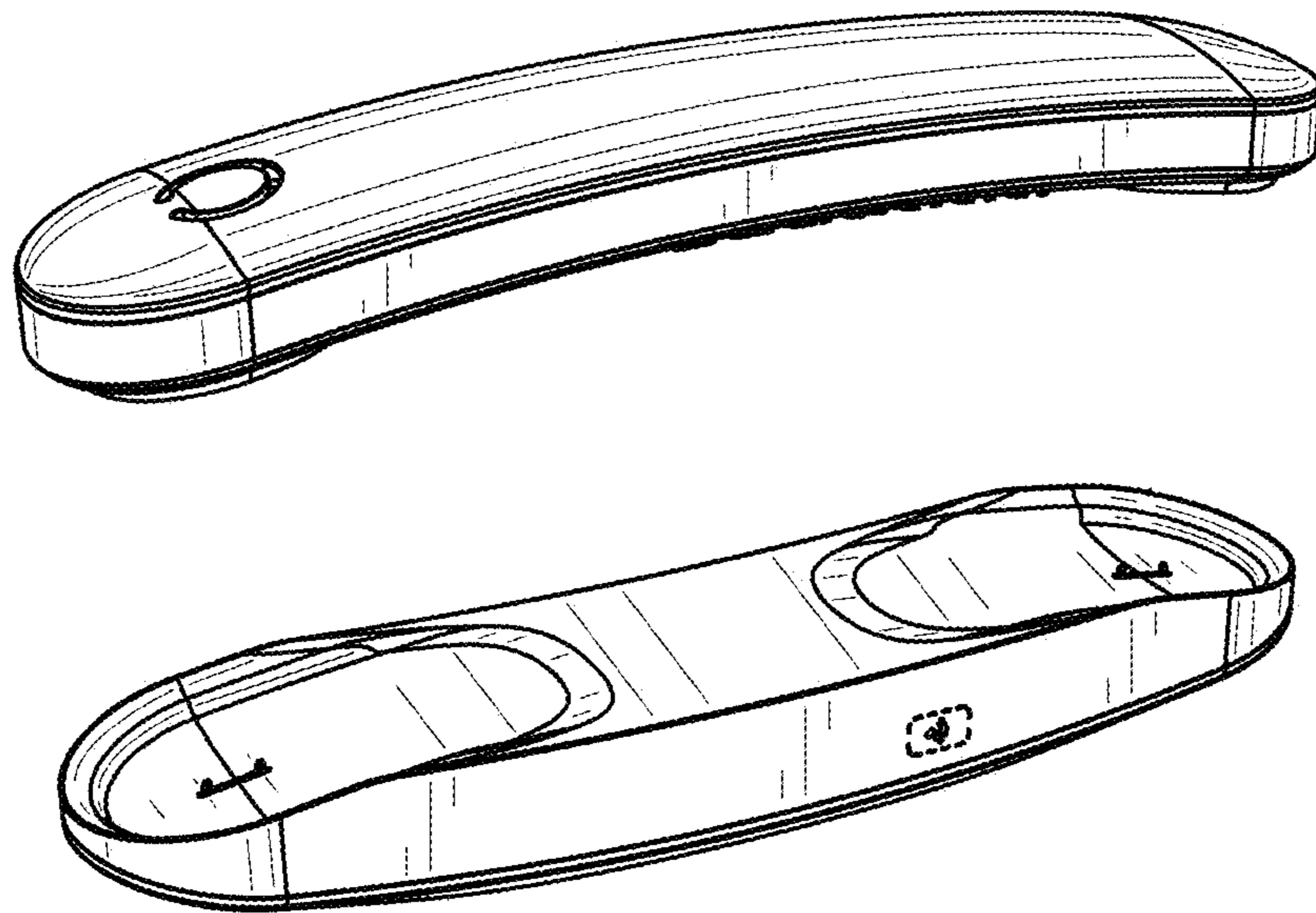


FIG. 3

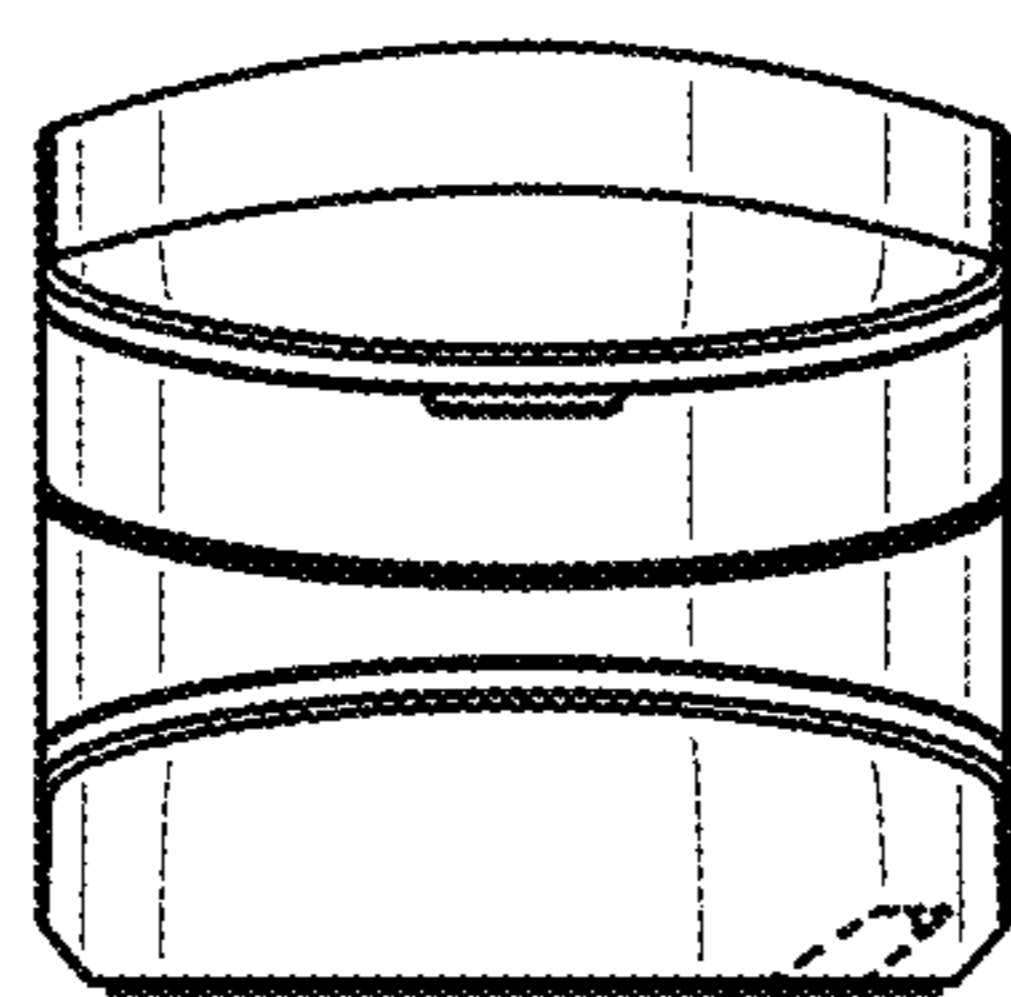


FIG. 4

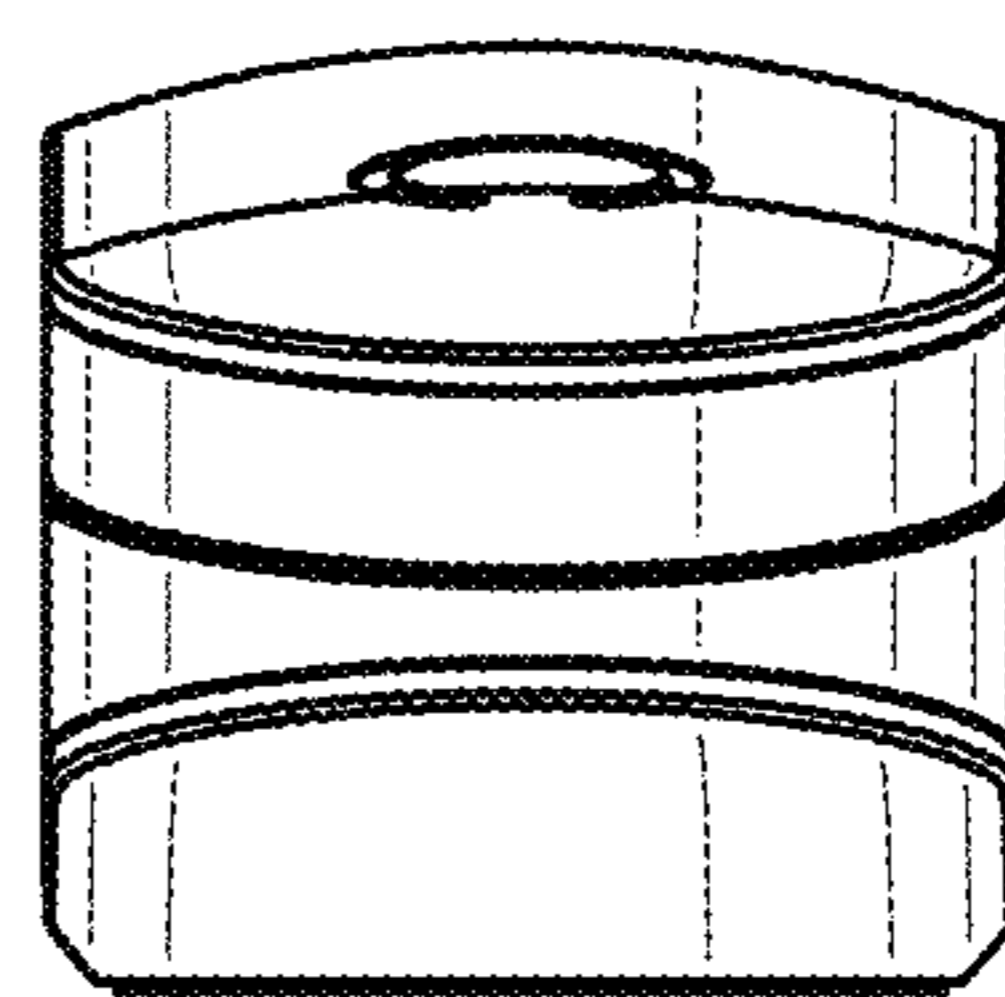


FIG. 5

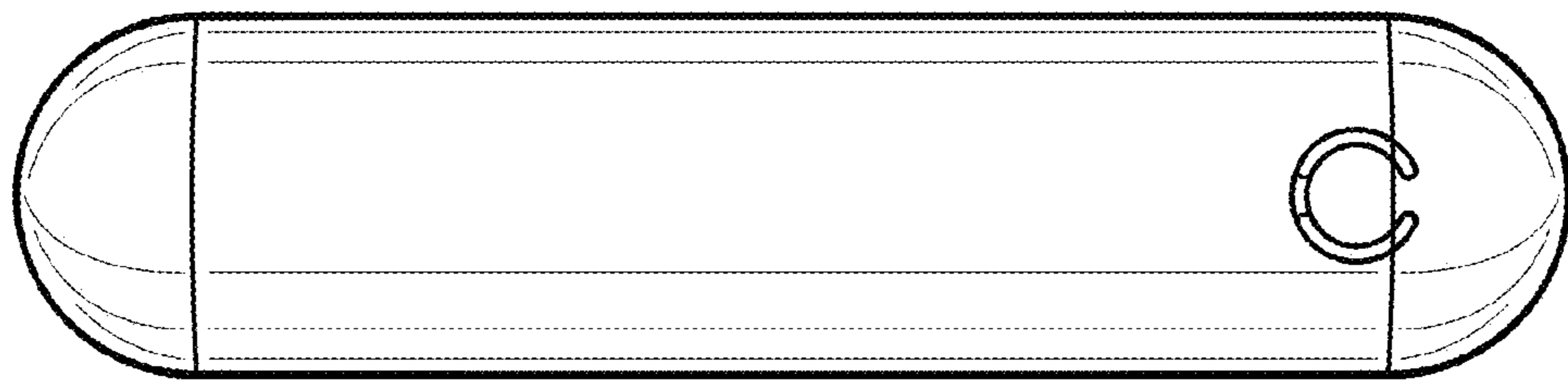


FIG. 6

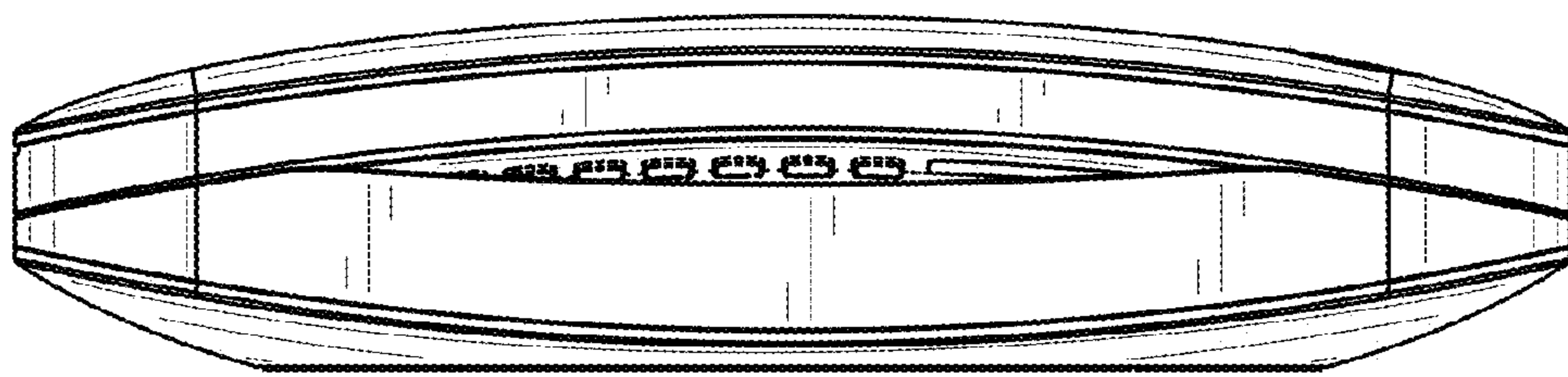


FIG. 7

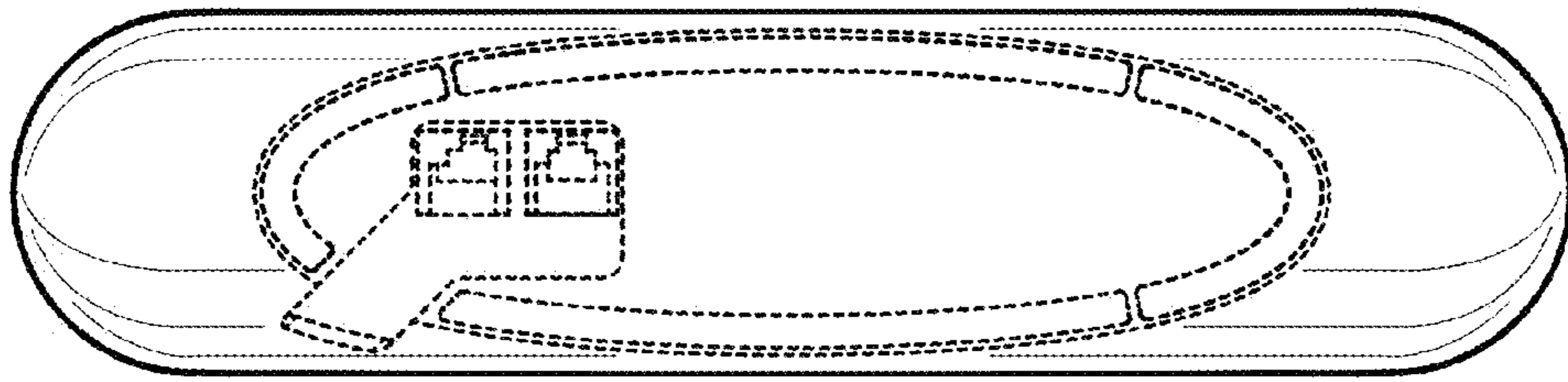


FIG. 8

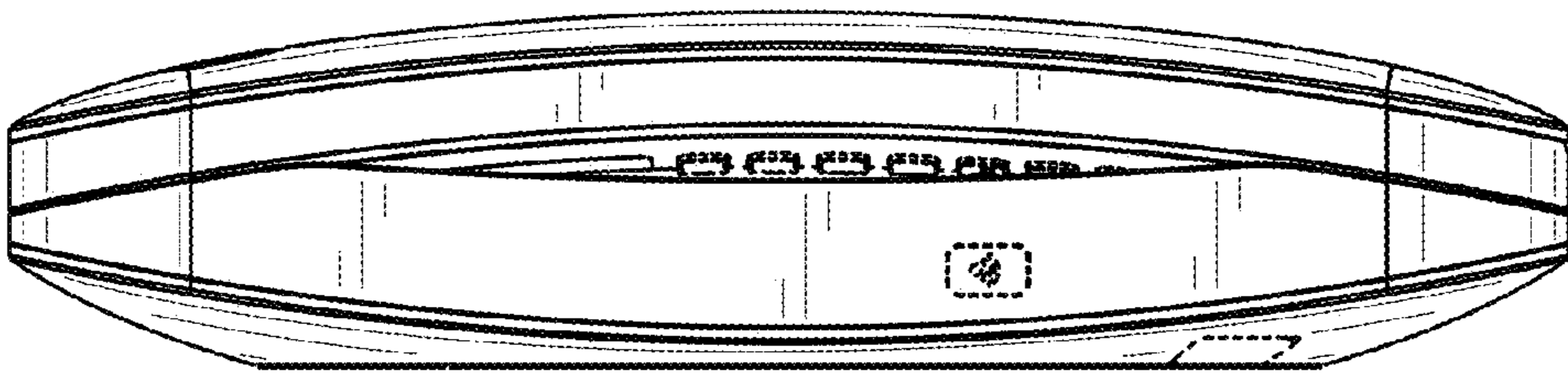


FIG. 9