



US00D757671S

(12) **United States Design Patent**
Bouroullec et al.

(10) **Patent No.:** **US D757,671 S**
(45) **Date of Patent:** **** May 31, 2016**

(54) **TELEVISION**

(71) Applicant: **Samsung Electronics Co., Ltd.**,
Suwon-si, Gyeonggi-do (KR)

(72) Inventors: **Ronan Bouroullec**, Paris (FR); **Erwan Bouroullec**, Paris (FR)

(73) Assignee: **SAMSUNG ELECTRONICS CO., LTD.**, Suwon-Si, Gyeonggi-Do (KR)

(**) Term: **14 Years**

(21) Appl. No.: **29/517,805**

(22) Filed: **Feb. 17, 2015**

(30) **Foreign Application Priority Data**

Aug. 22, 2014 (KR) 30-2014-0041080

(51) **LOC (10) Cl.** **14-03**

(52) **U.S. Cl.**
USPC **D14/126**

(58) **Field of Classification Search**

USPC D14/125-134, 239, 371, 136, 374-377,
D14/440, 450, 448, 336, 342, 159; 312/7.2;
348/836, 838, 180, 184, 325, 739;
248/917-924, 465; 345/104, 133, 156,
345/168, 87, 173; D21/329, 515, 577, 622,
D21/333, 433, 448, 452, 450, 331, 505;
D10/15, 26; 446/484, 175, 356;
D6/477, 479, 300; D20/10, 19, 39
CPC ... G06F 1/1601; G06F 1/1643; H05K 5/0004;
H05K 5/0017; H05K 5/02; H05K 5/0217;
H04N 13/0459

See application file for complete search history.

(56) **References Cited**

U.S. PATENT DOCUMENTS

D319,230 S * 8/1991 Sugiyama D14/126
D445,098 S * 7/2001 Matsuoka D14/126
D455,129 S * 4/2002 Niitsu D14/126

D488,468 S * 4/2004 Hu D14/341
D565,527 S * 4/2008 Riggs D14/126
D569,356 S * 5/2008 Lee D14/126
D570,314 S * 6/2008 Lee D14/126
D619,553 S * 7/2010 Katsumata D14/126
D628,175 S * 11/2010 Desai D14/126
D631,046 S * 1/2011 Chien
D640,215 S * 6/2011 Hanson-Abbott D14/126
D717,753 S * 11/2014 Totsuka D14/126
D717,756 S * 11/2014 Park D14/126
D739,839 S * 9/2015 Lang D14/126

OTHER PUBLICATIONS

http://review.chosun.com/site/data/html_dir/2010/03/23/2010032300921.html.

* cited by examiner

Primary Examiner — Raphael Barkai

(74) *Attorney, Agent, or Firm* — Ladas & Parry LLP

(57) **CLAIM**

We claim the ornamental design for television, as shown and described.

DESCRIPTION

FIG. 1 is the front perspective view of television showing our new design;
FIG. 2 is the front view thereof;
FIG. 3 is the rear view thereof;
FIG. 4 is the left-side view thereof;
FIG. 5 is the right-side view thereof;
FIG. 6 is the top plan view thereof;
FIG. 7 is the bottom plan view thereof;
FIG. 8 is a cross-sectional view taken through line A-A of FIG. 2; and,
FIG. 9 is a cross-sectional view taken through line B-B of FIG. 2.

The broken lines in the drawing show unclaimed environment only and form no part of the claimed design.

1 Claim, 8 Drawing Sheets

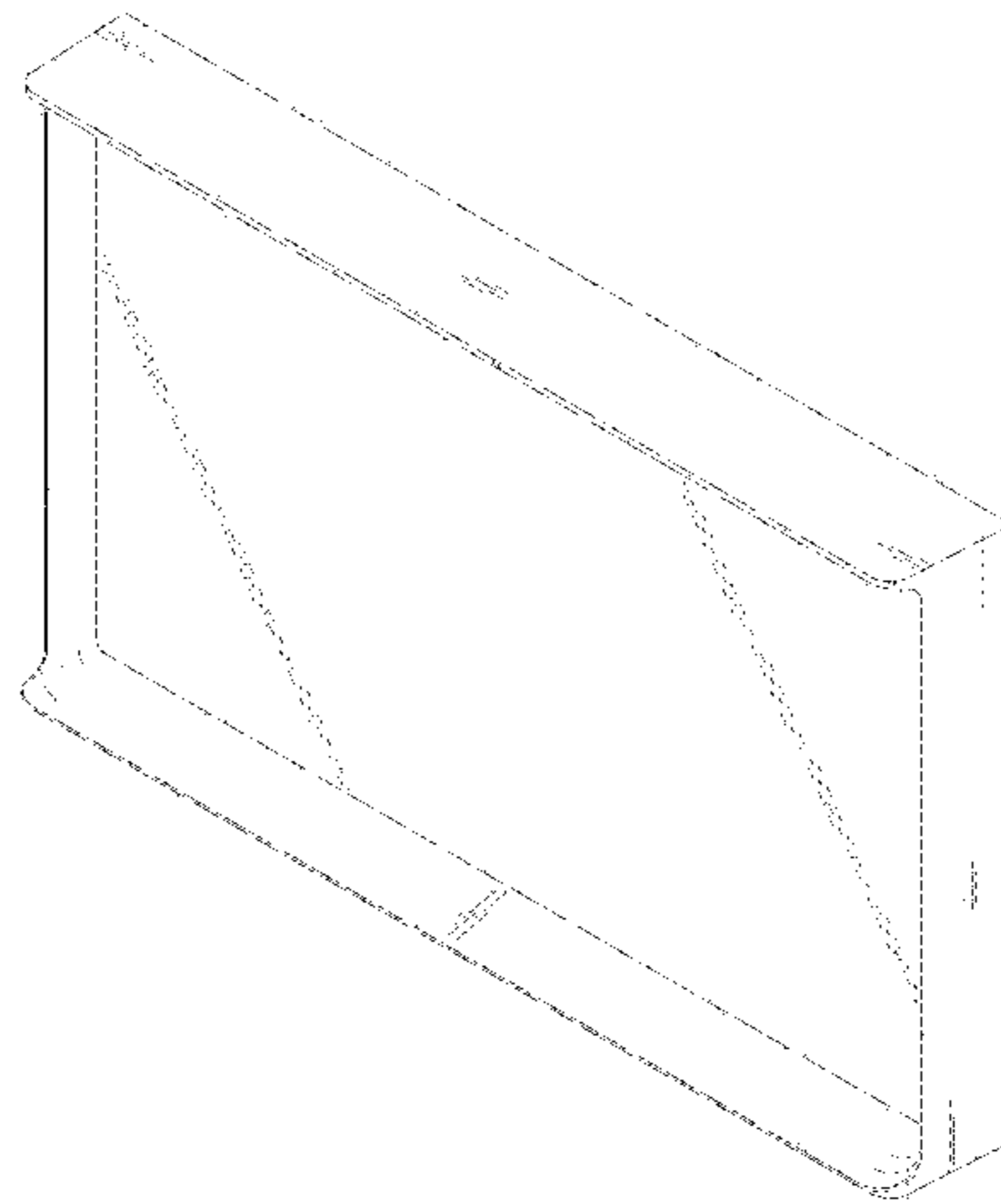


Fig. 1

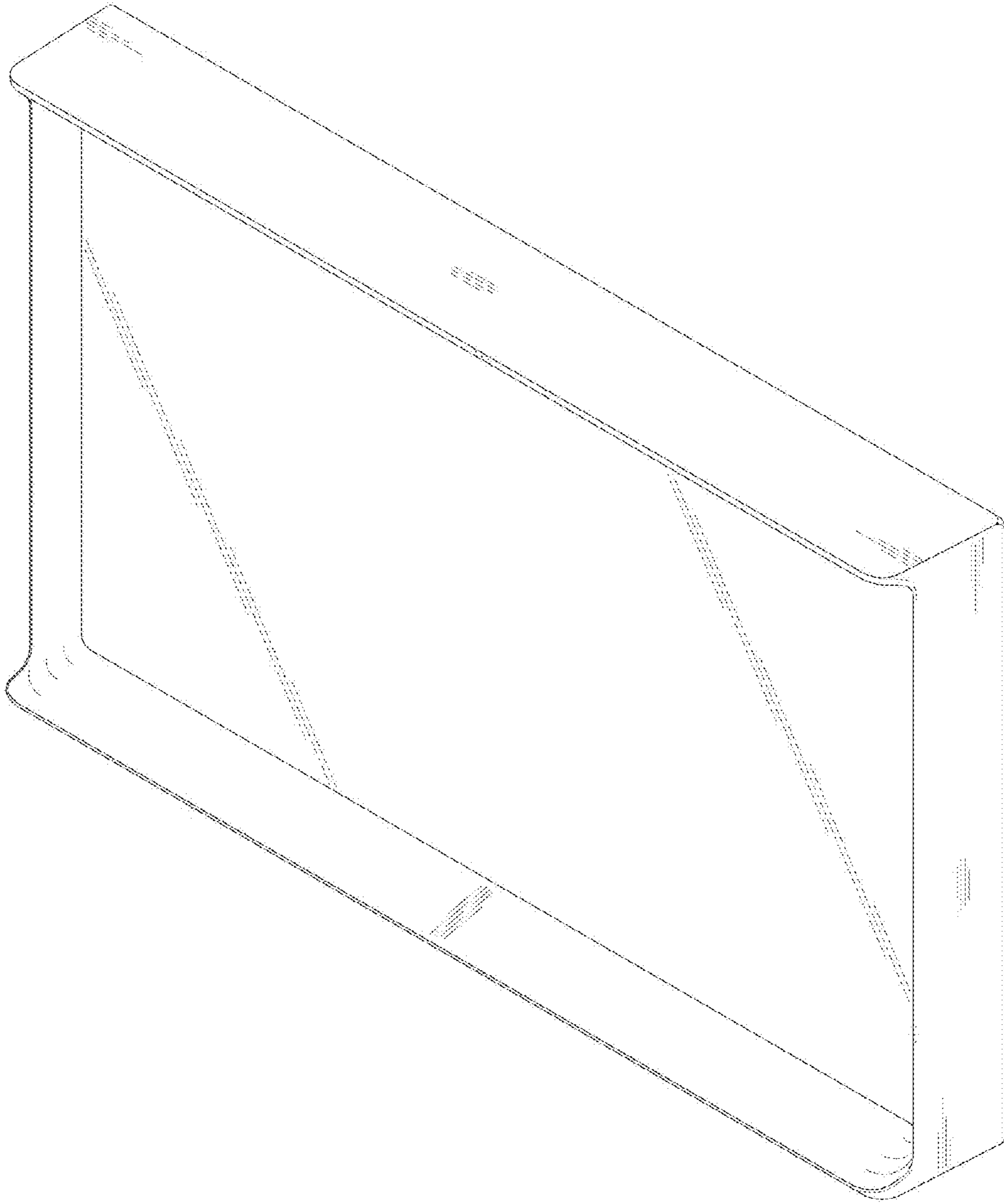


Fig. 2

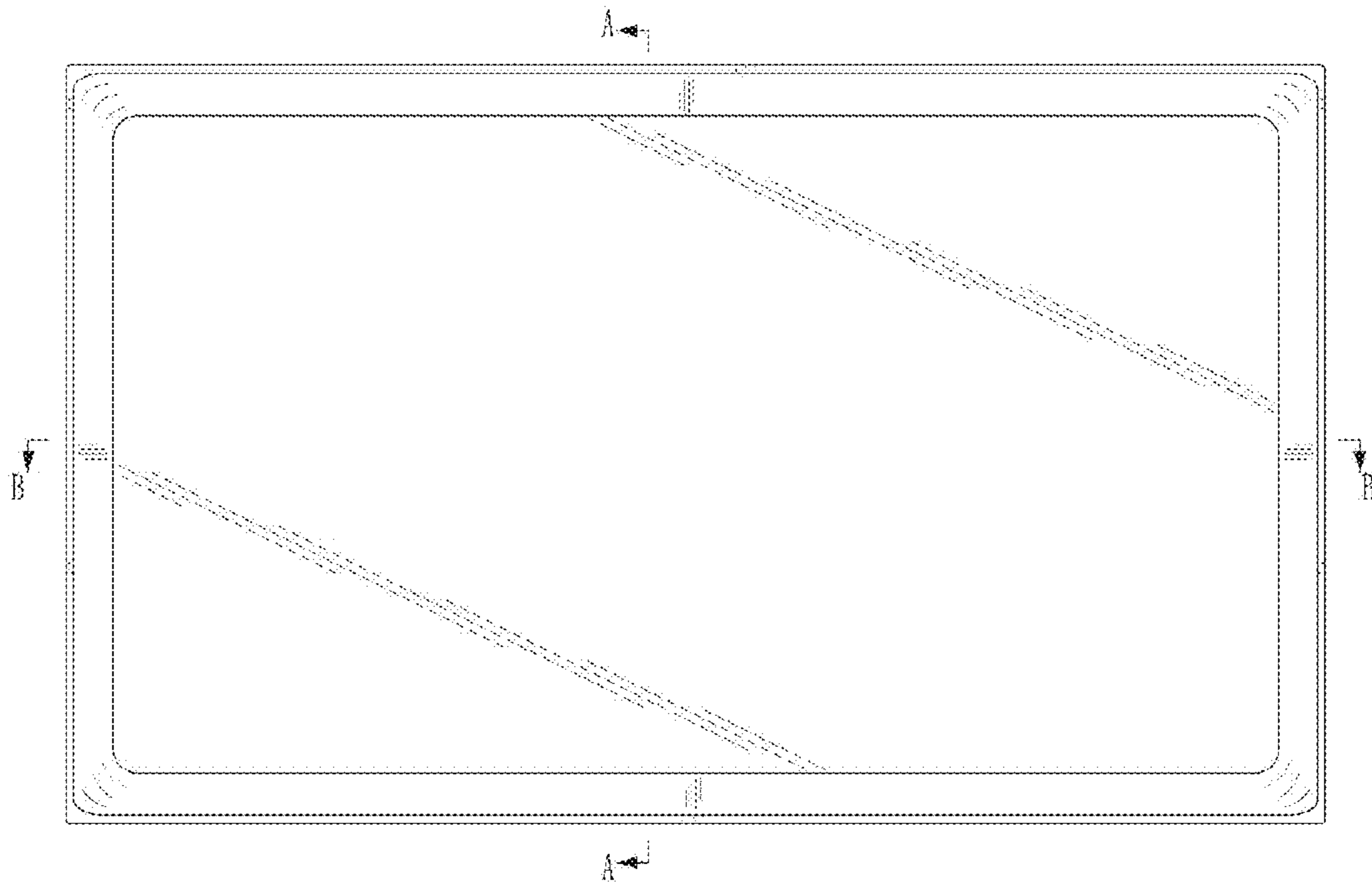


Fig. 3

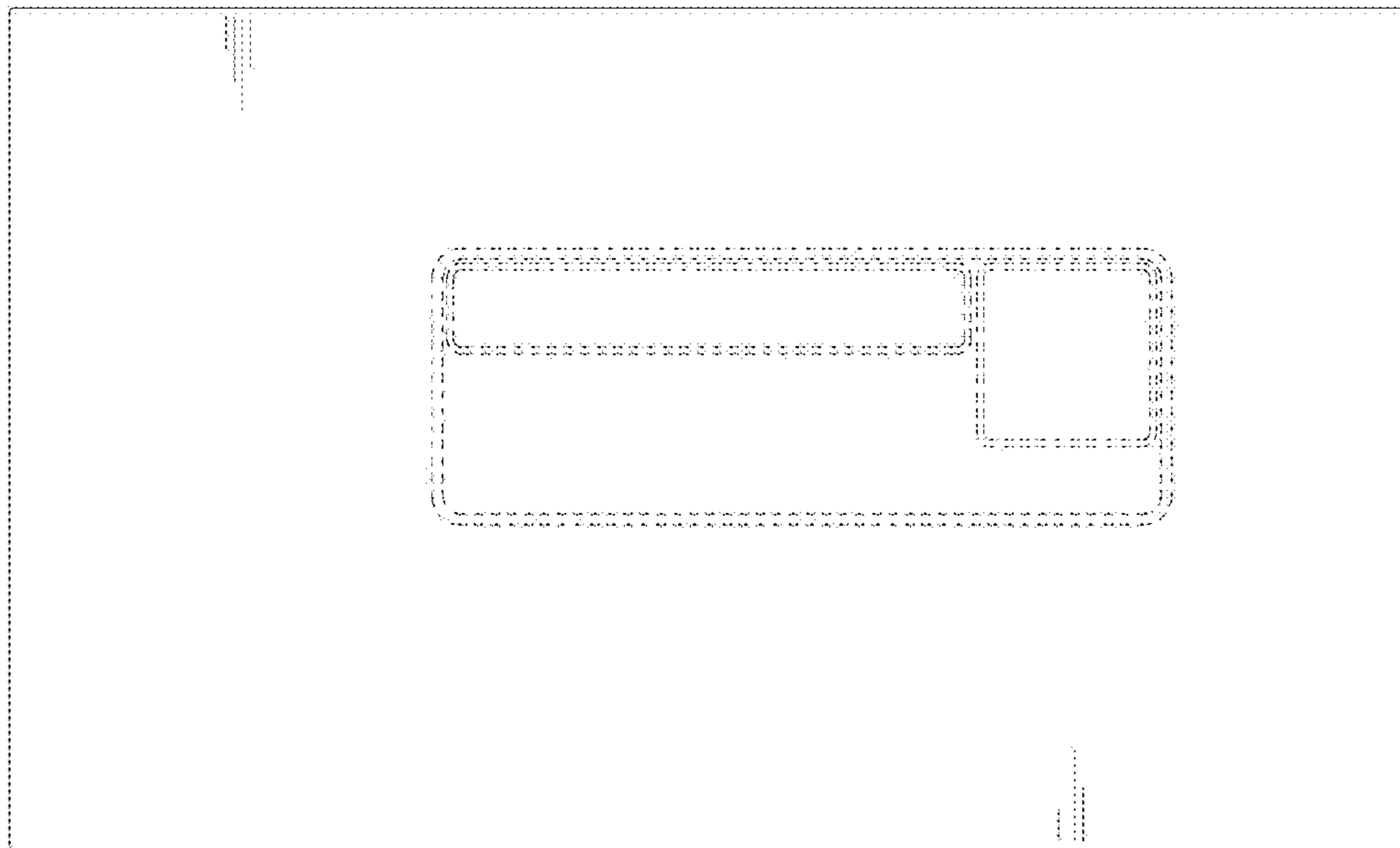


Fig. 4

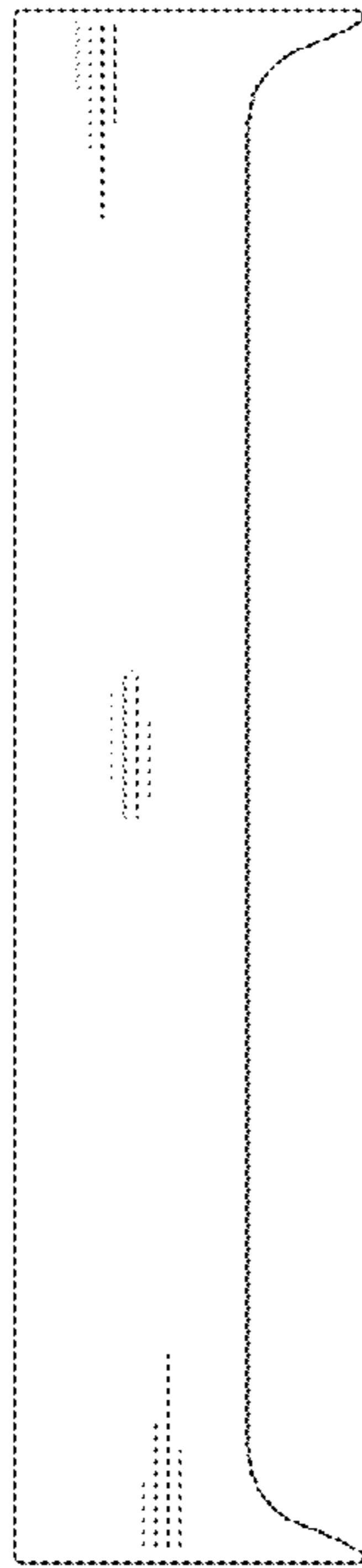


Fig. 5

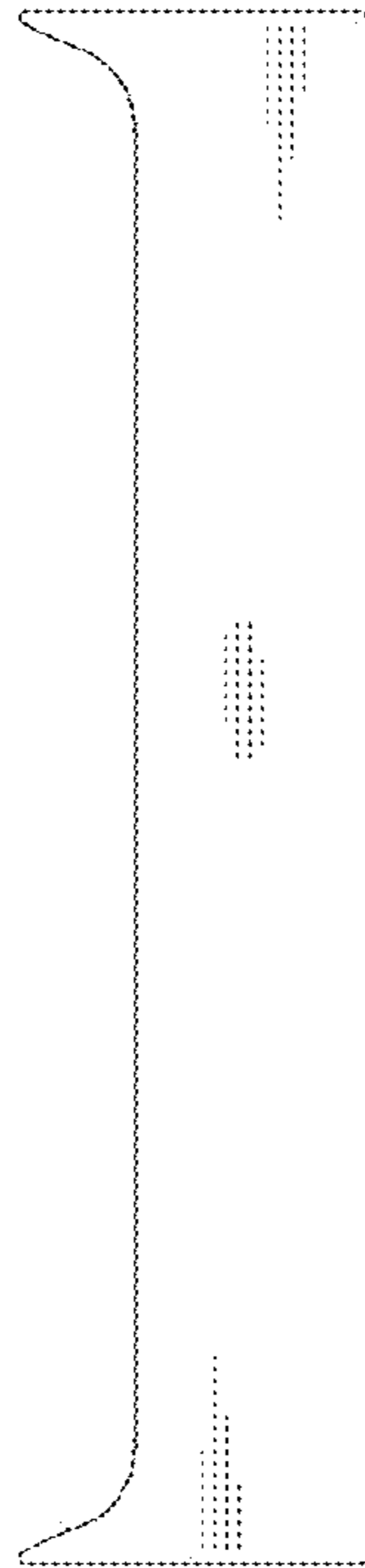


Fig. 6

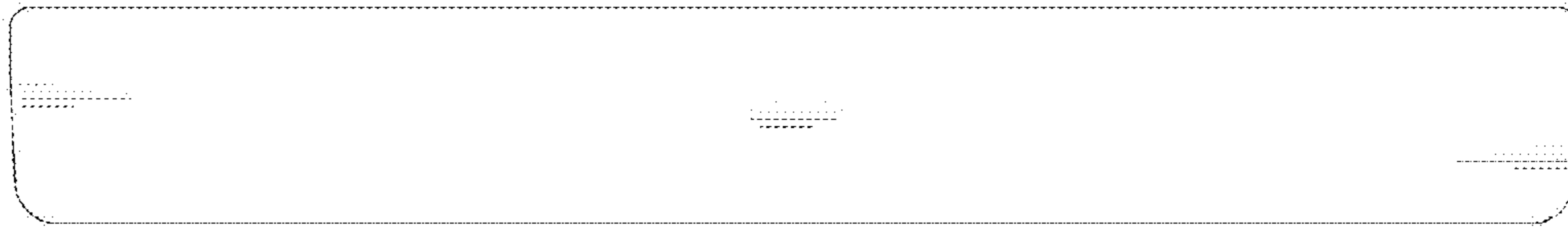


Fig. 7



Fig. 8

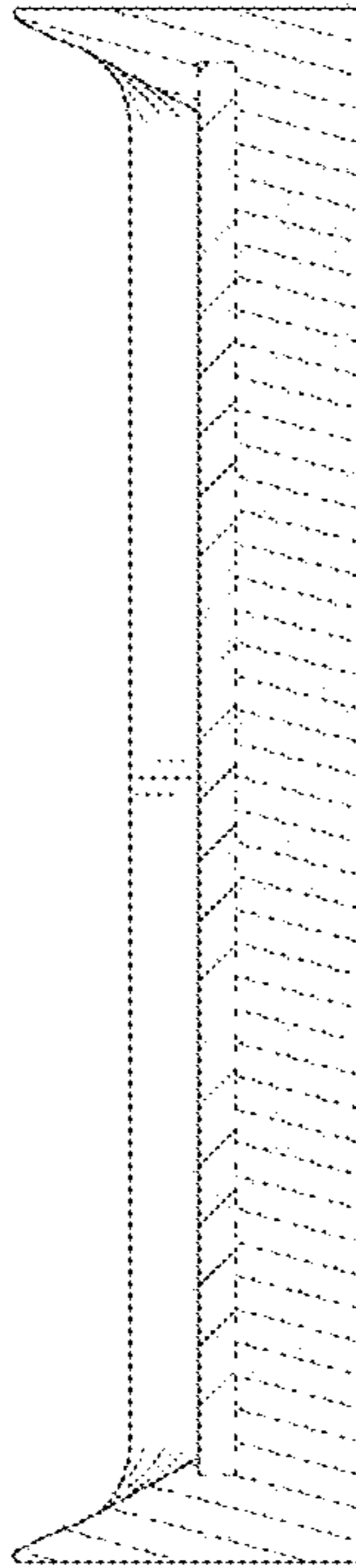


Fig. 9

