



US00D757670S

(12) **United States Design Patent**
Bouroullec et al.

(10) **Patent No.:** **US D757,670 S**
(45) **Date of Patent:** **** May 31, 2016**

(54) **TELEVISION**

(71) Applicant: **Samsung Electronics Co., Ltd.**,
Suwon-si, Gyeonggi-do (KR)

(72) Inventors: **Ronan Bouroullec**, Paris (FR); **Erwan Bouroullec**, Paris (FR)

(73) Assignee: **SAMSUNG ELECTRONICS CO., LTD.**, Suwon-Si, Gyeonggi-Do (KR)

(**) Term: **14 Years**

(21) Appl. No.: **29/517,798**

(22) Filed: **Feb. 17, 2015**

(30) **Foreign Application Priority Data**

Aug. 22, 2014 (KR) 30-2014-0041081

(51) **LOC (10) Cl.** **14-03**

(52) **U.S. Cl.**
USPC **D14/126**

(58) **Field of Classification Search**

USPC D14/125-134, 239, 371, 136, 374-377,
D14/440, 450, 448, 336, 342, 159; 312/7.2;
348/836, 838, 180, 184, 325, 739;
248/917-924, 465; 345/104, 133, 156,
345/168, 87, 173; D21/329, 515, 577, 622,
D21/333, 433, 448, 452, 450, 331, 505;
D10/15, 26; 446/484, 175, 356;
D6/477, 479, 300; D20/10, 19, 39
CPC ... G06F 1/1601; G06F 1/1643; H05K 5/0004;
H05K 5/0017; H05K 5/02; H05K 5/0217;
H04N 13/0459

See application file for complete search history.

(56) **References Cited**

U.S. PATENT DOCUMENTS

D319,230 S * 8/1991 Sugiyama D14/126
D445,098 S * 7/2001 Matsuoka D14/126
D455,129 S * 4/2002 Niitsu D14/126

D488,468 S * 4/2004 Hu D14/341
D565,527 S * 4/2008 Riggs D14/126
D569,356 S * 5/2008 Lee D14/126
D570,314 S * 6/2008 Lee D14/126
D619,553 S * 7/2010 Katsumata D14/126
D628,175 S * 11/2010 Desai D14/126
D631,046 S * 1/2011 Chien
D640,215 S * 6/2011 Hanson-Abbott D14/126
D717,753 S * 11/2014 Totsuka D14/126
D717,756 S * 11/2014 Park D14/126
D739,839 S * 9/2015 Lang D14/126

OTHER PUBLICATIONS

http://review.chosun.com/site/data/html_dir/2010/03/23/2010032300921.html.

* cited by examiner

Primary Examiner — Raphael Barkai

(74) *Attorney, Agent, or Firm* — Ladas & Parry LLP

(57) **CLAIM**

We claim the ornamental design for television, as shown and described.

DESCRIPTION

FIG. 1 is the front perspective view of television showing our new design;

FIG. 2 is the front view thereof;

FIG. 3 is the rear view thereof;

FIG. 4 is the left-side view thereof;

FIG. 5 is the right-side view thereof;

FIG. 6 is the top plan view thereof;

FIG. 7 is the bottom plan view thereof;

FIG. 8 is a cross-sectional view taken through line A-A of FIG. 2; and,

FIG. 9 is a cross-sectional view taken through line B-B of FIG. 2.

The broken lines in the drawing show unclaimed environment only and form no part of the claimed design.

The dot dash lines in the figures represent an unclaimed boundary line and form no part of the claimed design.

1 Claim, 9 Drawing Sheets

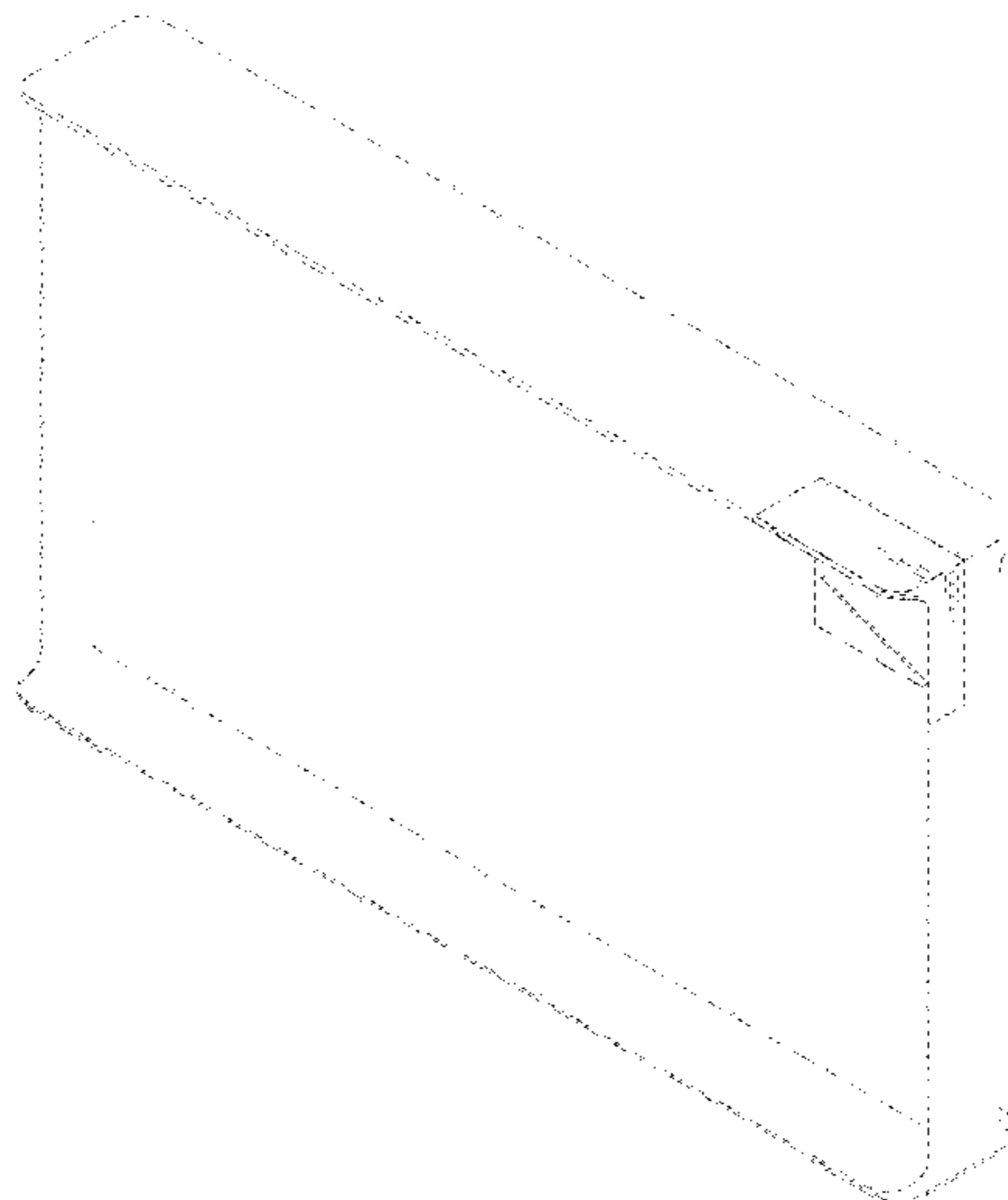


Fig. 1

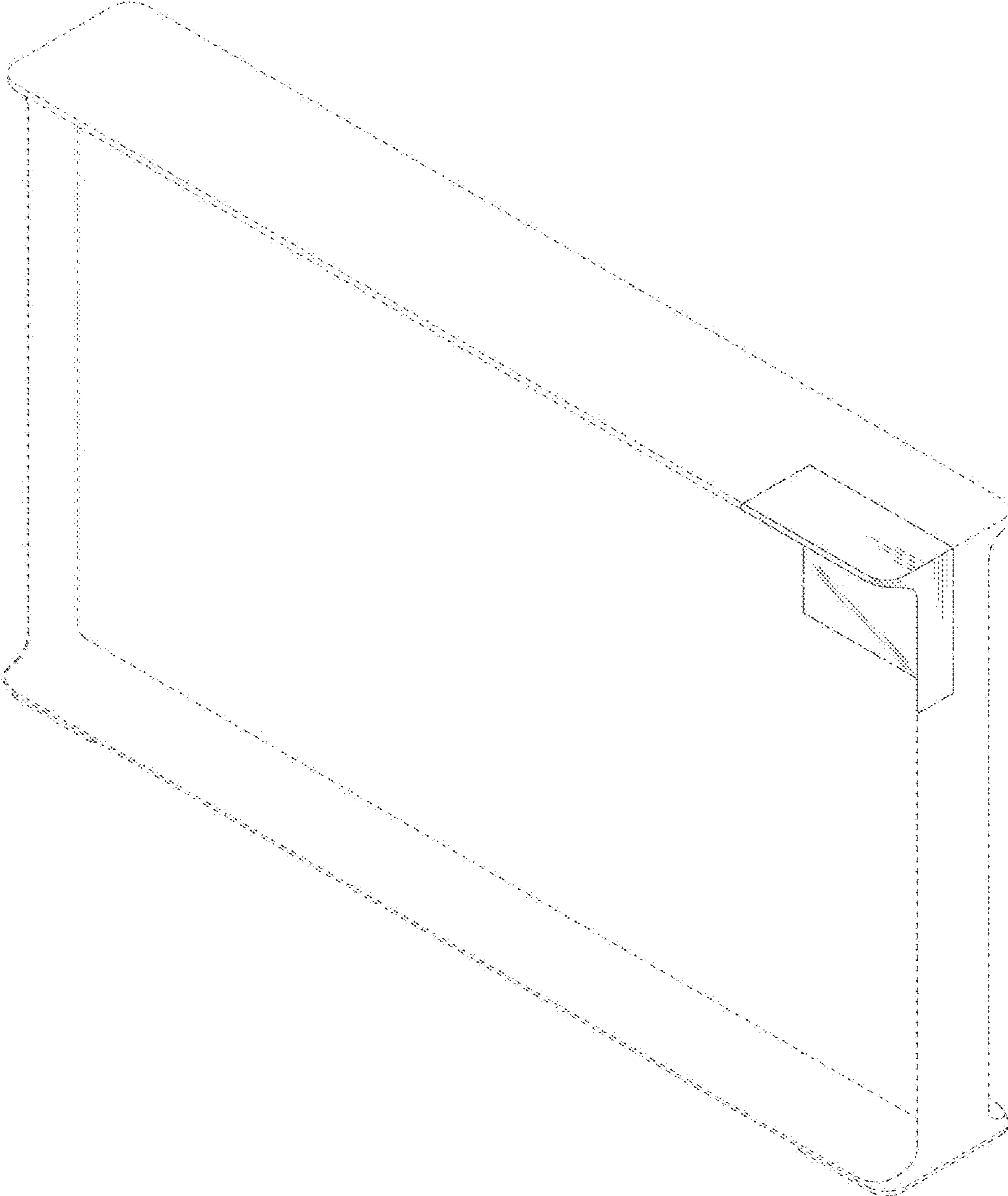


Fig. 2

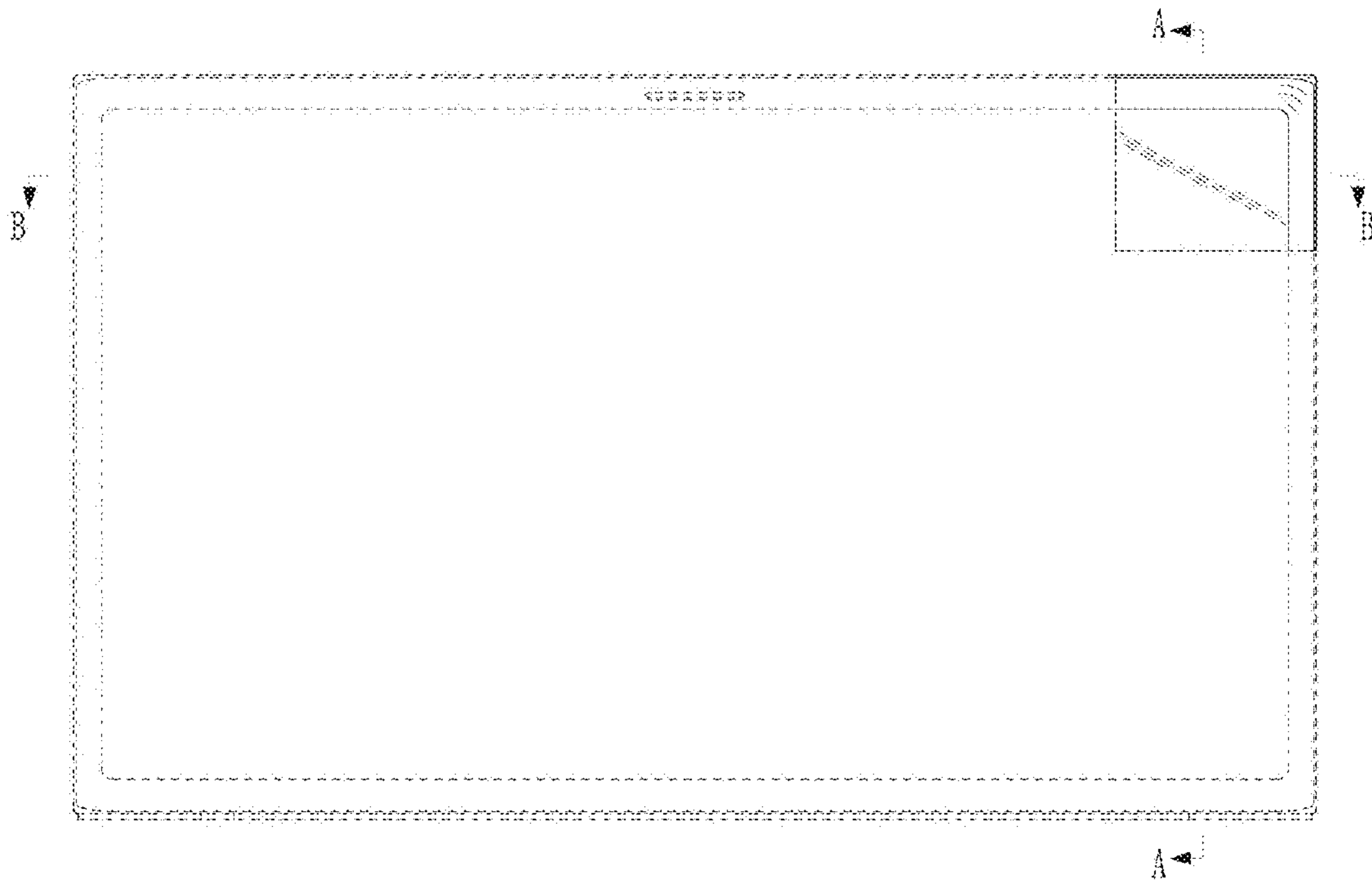


Fig. 3



Fig. 4

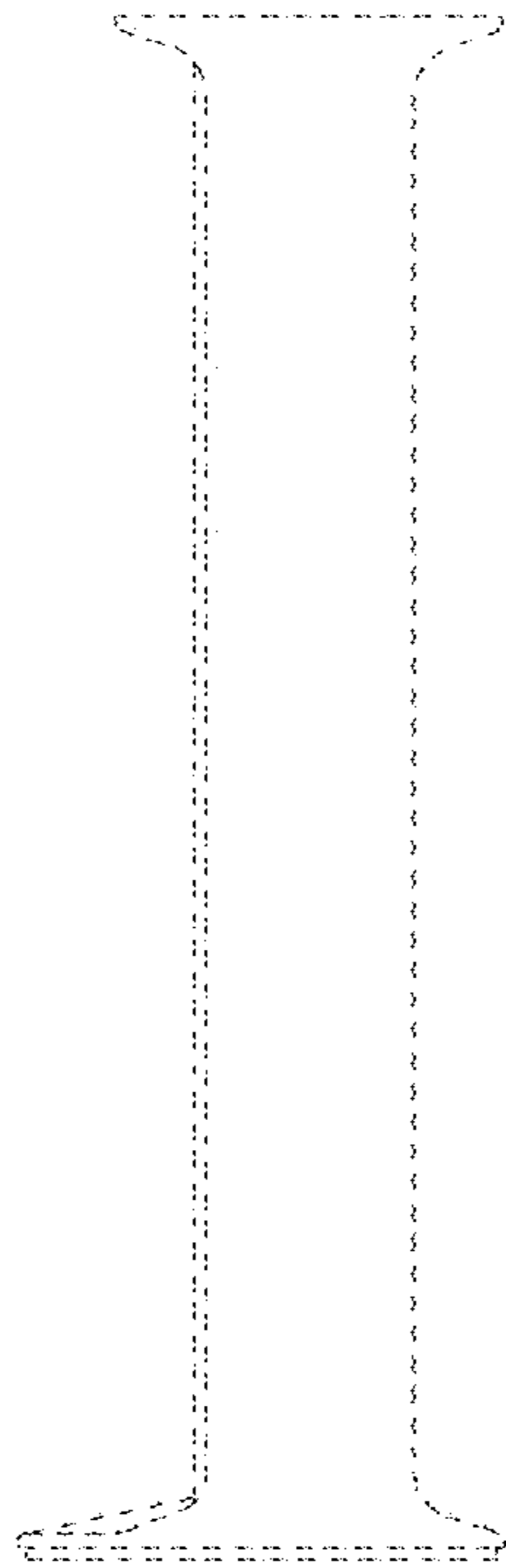


Fig. 5

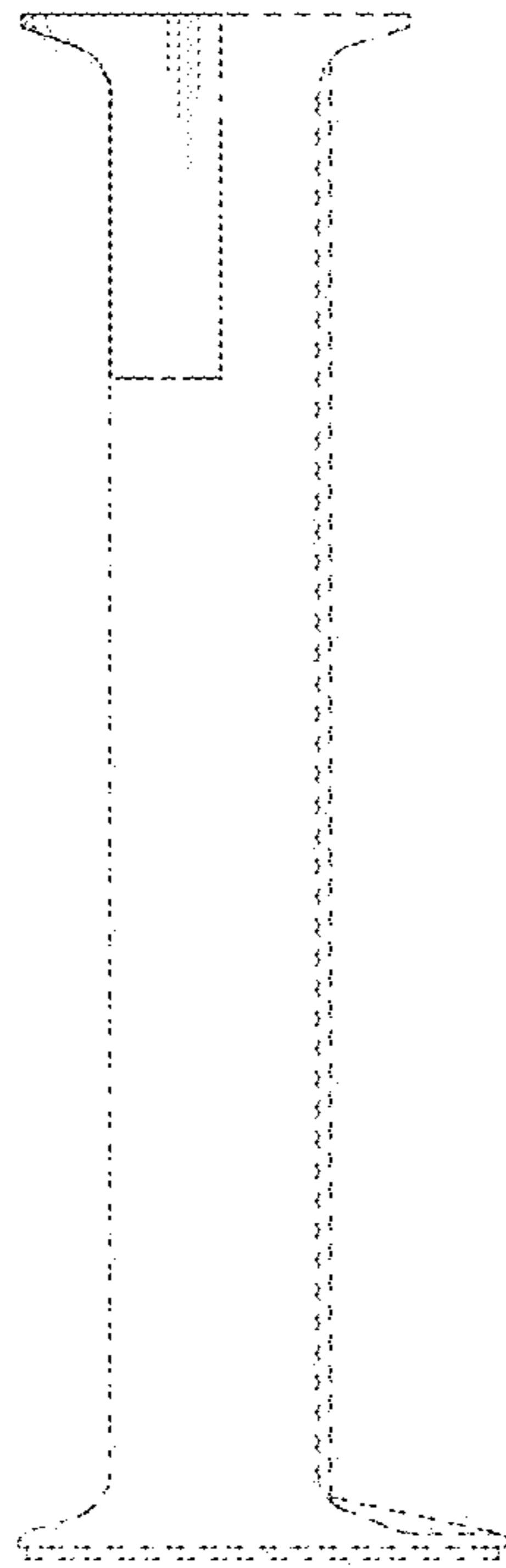


Fig. 6

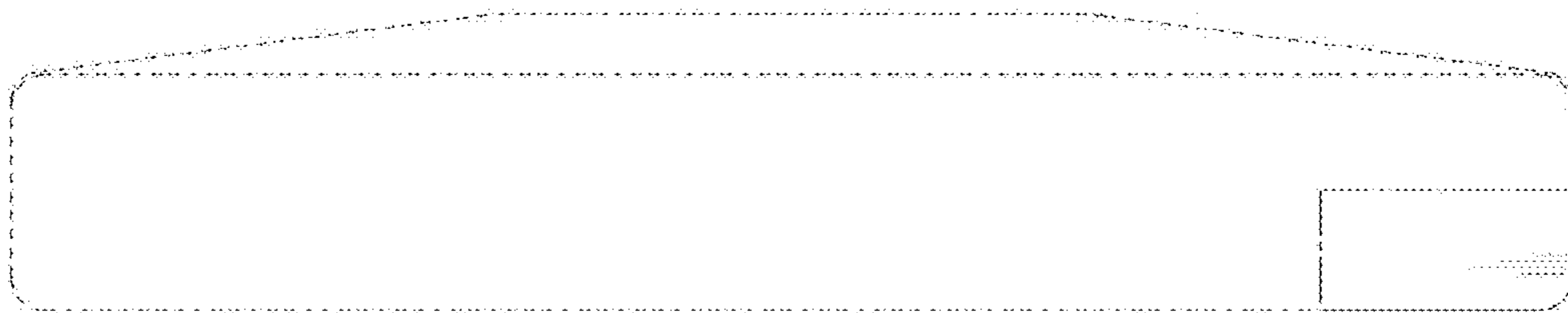


Fig. 7

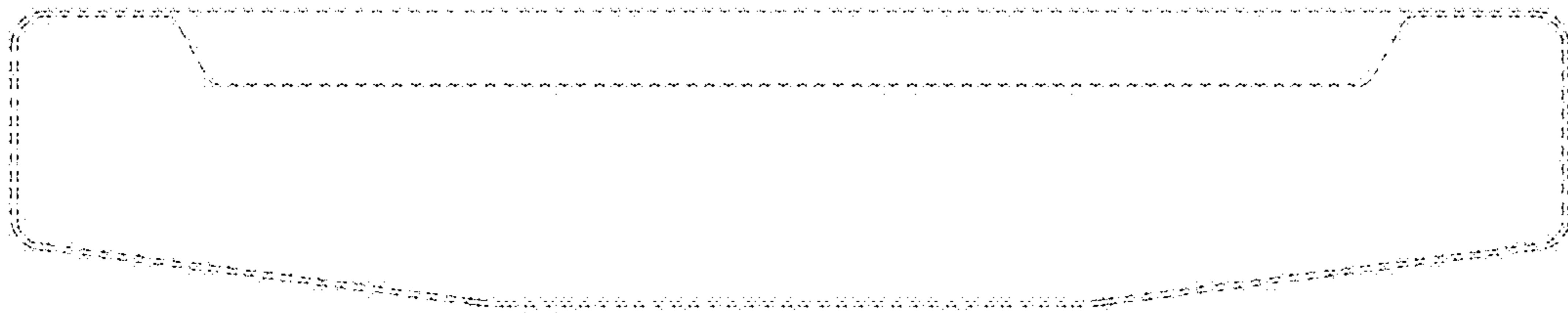


Fig. 8

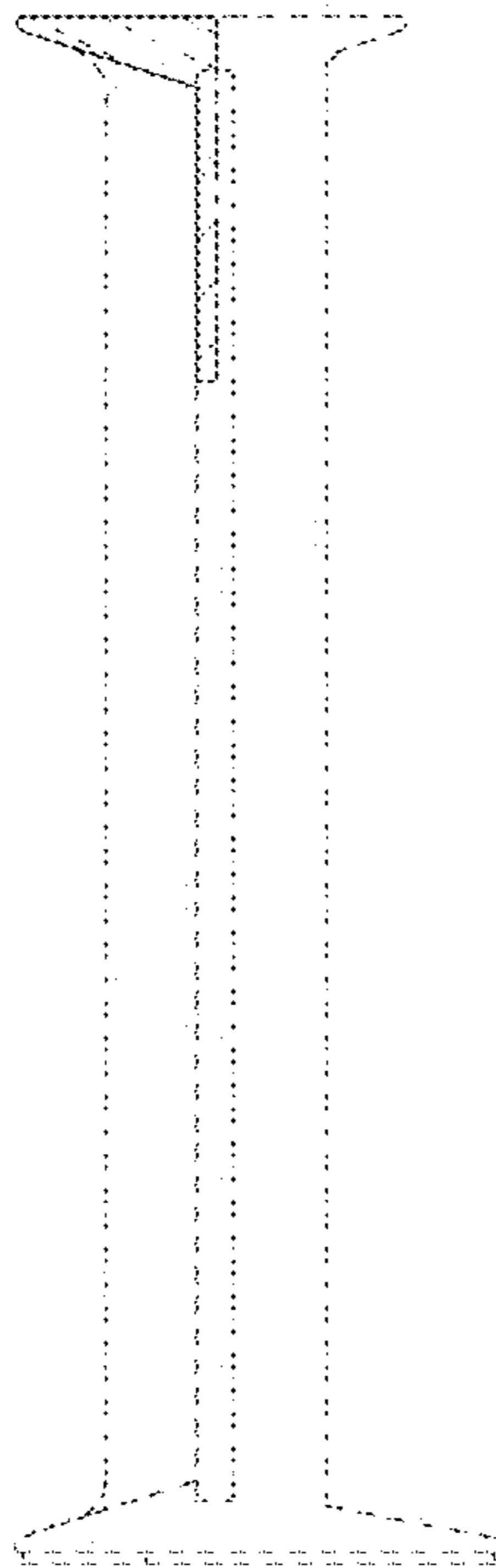


Fig. 9

