

US00D757669S

(12) **United States Design Patent**  
**Bouroullec et al.**

(10) **Patent No.:** **US D757,669 S**  
(45) **Date of Patent:** **\*\* May 31, 2016**

(54) **TELEVISION**

(71) Applicant: **Samsung Electronics Co., Ltd.**,  
Suwon-si, Gyeonggi-do (KR)

(72) Inventors: **Ronan Bouroullec**, Paris (FR); **Erwan Bouroullec**, Paris (FR)

(73) Assignee: **SAMSUNG ELECTRONICS CO., LTD.**, Suwon-Si, Gyeonggi-Do (KR)

(\*\*) Term: **14 Years**

(21) Appl. No.: **29/517,794**

(22) Filed: **Feb. 17, 2015**

(30) **Foreign Application Priority Data**

Aug. 22, 2014 (KR) ..... 30-2014-0041077

(51) **LOC (10) Cl.** ..... **14-03**

(52) **U.S. Cl.**  
USPC ..... **D14/126**

(58) **Field of Classification Search**

USPC ..... D14/125-134, 239, 371, 136, 374-377,  
D14/440, 450, 448, 336, 342, 159; 312/7.2;  
348/836, 838, 180, 184, 325, 739;  
248/917-924, 465; 345/104, 133, 156,  
345/168, 87, 173; D21/329, 515, 577, 622,  
D21/333, 433, 448, 452, 450, 331, 505;  
D10/15, 26; 446/484, 175, 356;  
D6/477, 479, 300; D20/10, 19, 39  
CPC ... G06F 1/1601; G06F 1/1643; H05K 5/0004;  
H05K 5/0017; H05K 5/02; H05K 5/0217;  
H04N 13/0459

See application file for complete search history.

(56) **References Cited**

**U.S. PATENT DOCUMENTS**

D319,230 S \* 8/1991 Sugiyama ..... D14/126  
D445,098 S \* 7/2001 Matsuoka ..... D14/126  
D455,129 S \* 4/2002 Niitsu ..... D14/126

D488,468 S \* 4/2004 Hu ..... D14/341  
D565,527 S \* 4/2008 Riggs ..... D14/126  
D569,356 S \* 5/2008 Lee ..... D14/126  
D570,314 S \* 6/2008 Lee ..... D14/126  
D619,553 S \* 7/2010 Katsumata ..... D14/126  
D628,175 S \* 11/2010 Desai ..... D14/126  
D631,046 S \* 1/2011 Chien  
D640,215 S \* 6/2011 Hanson-Abbott ..... D14/126  
D717,753 S \* 11/2014 Totsuka ..... D14/126  
D717,756 S \* 11/2014 Park ..... D14/126  
D739,839 S \* 9/2015 Lang ..... D14/126

**FOREIGN PATENT DOCUMENTS**

EM 000393103-0001 11/2005

\* cited by examiner

*Primary Examiner* — Raphael Barkai

(74) *Attorney, Agent, or Firm* — Ladas & Parry LLP

(57) **CLAIM**

We claim the ornamental design for television, as shown and described.

**DESCRIPTION**

FIG. 1 is the front perspective view of television showing our new design;  
FIG. 2 is the front view thereof;  
FIG. 3 is the rear view thereof;  
FIG. 4 is the left-side view thereof;  
FIG. 5 is the right-side view thereof;  
FIG. 6 is the top plan view thereof;  
FIG. 7 is the bottom plan view thereof;  
FIG. 8 is the rear perspective view thereof;  
FIG. 9 is a cross-sectional view taken through line A-A of FIG. 2; and,  
FIG. 10 is a cross-sectional view taken through line B-B of FIG. 2.  
The broken lines in the drawing show unclaimed environment only and form no part of the claimed design.

**1 Claim, 10 Drawing Sheets**

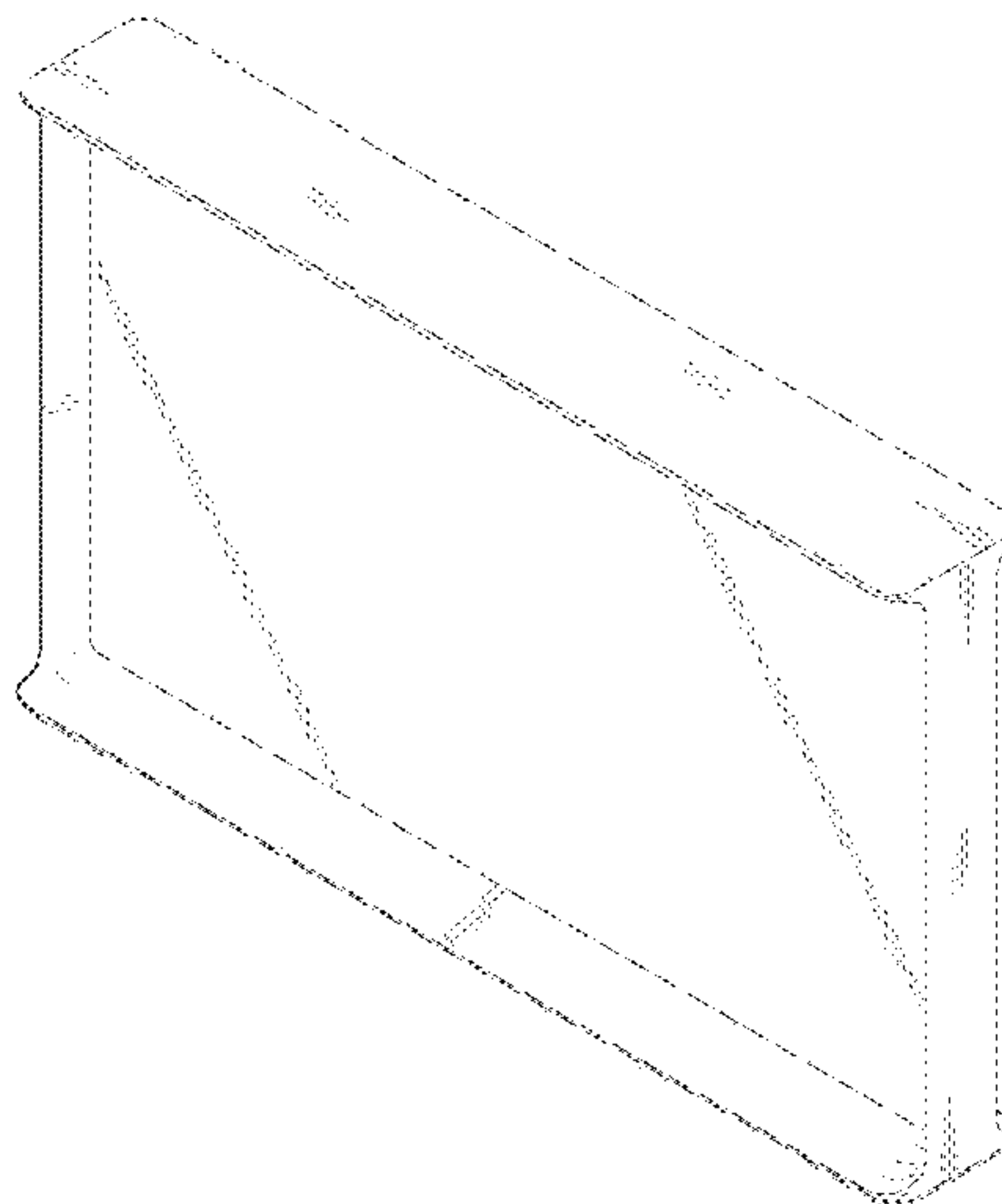


Fig. 1

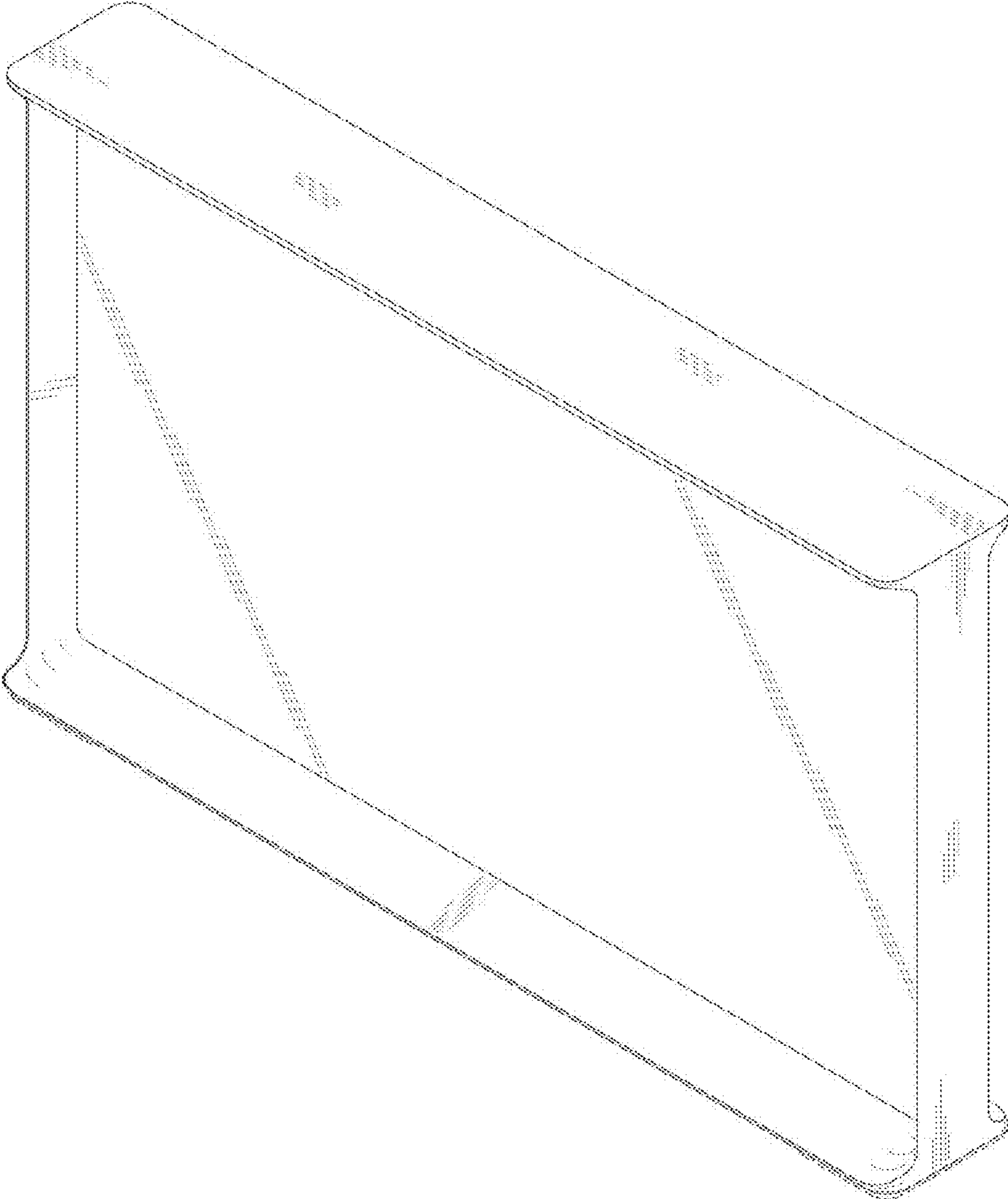


Fig. 2

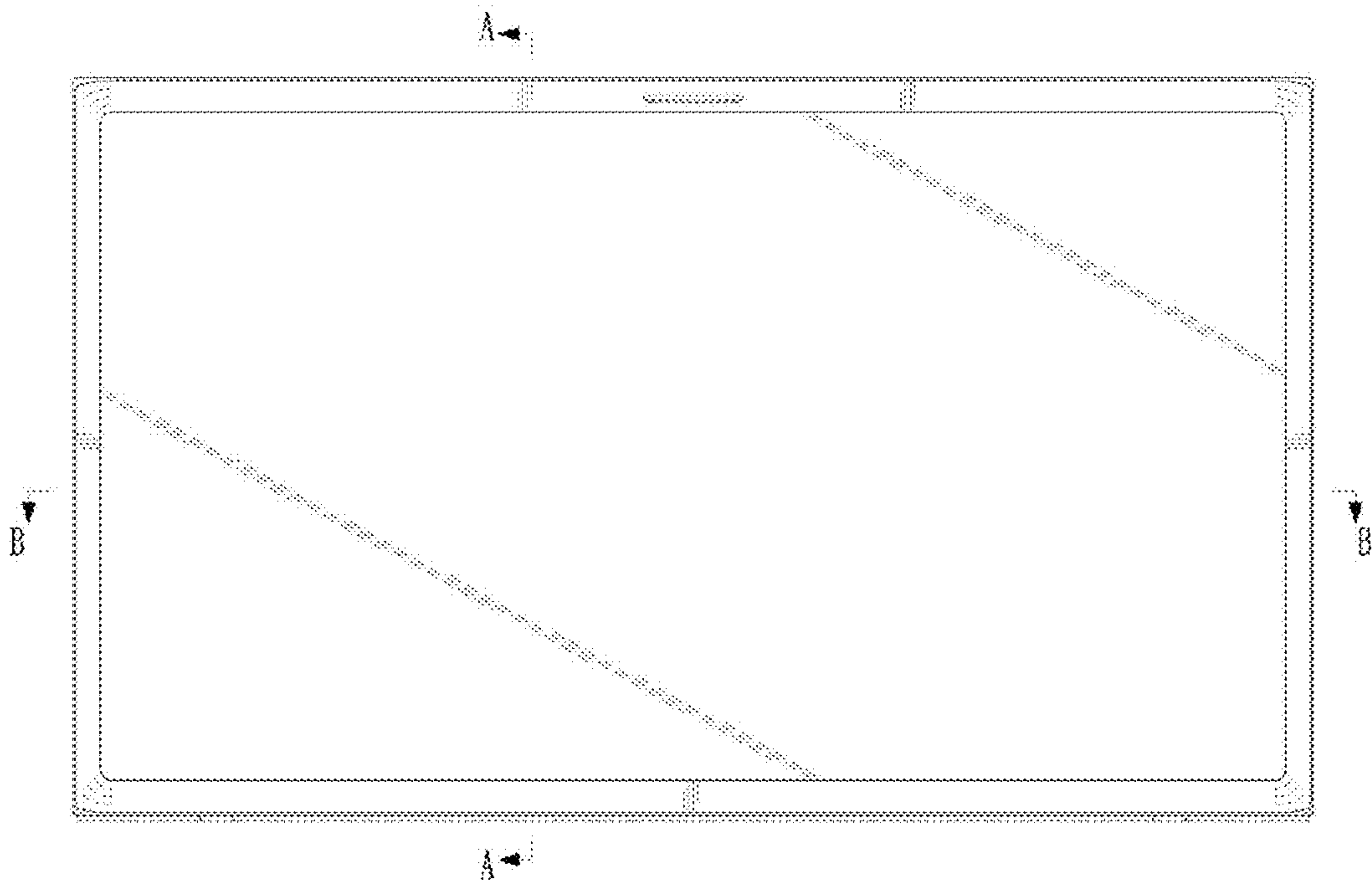
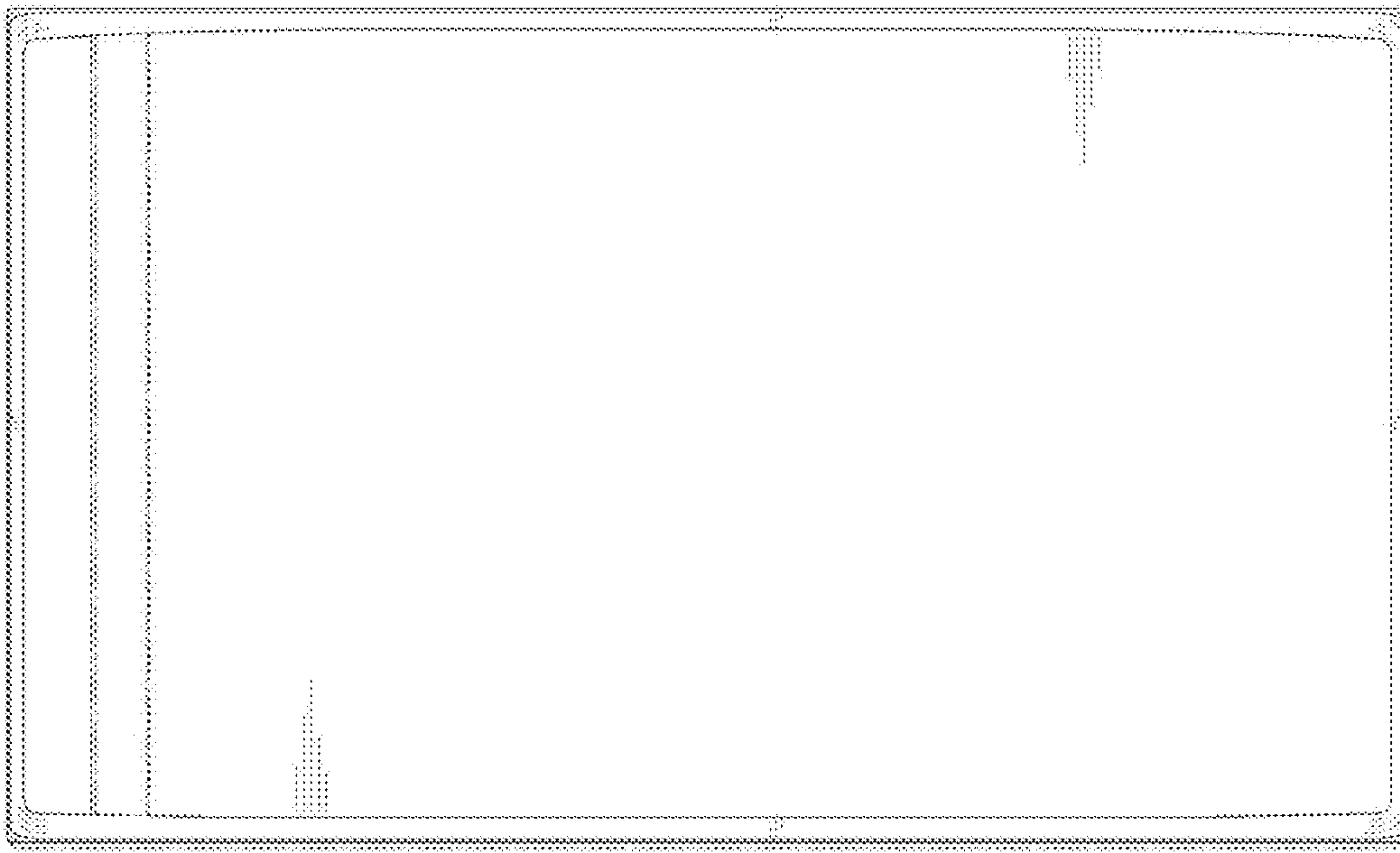
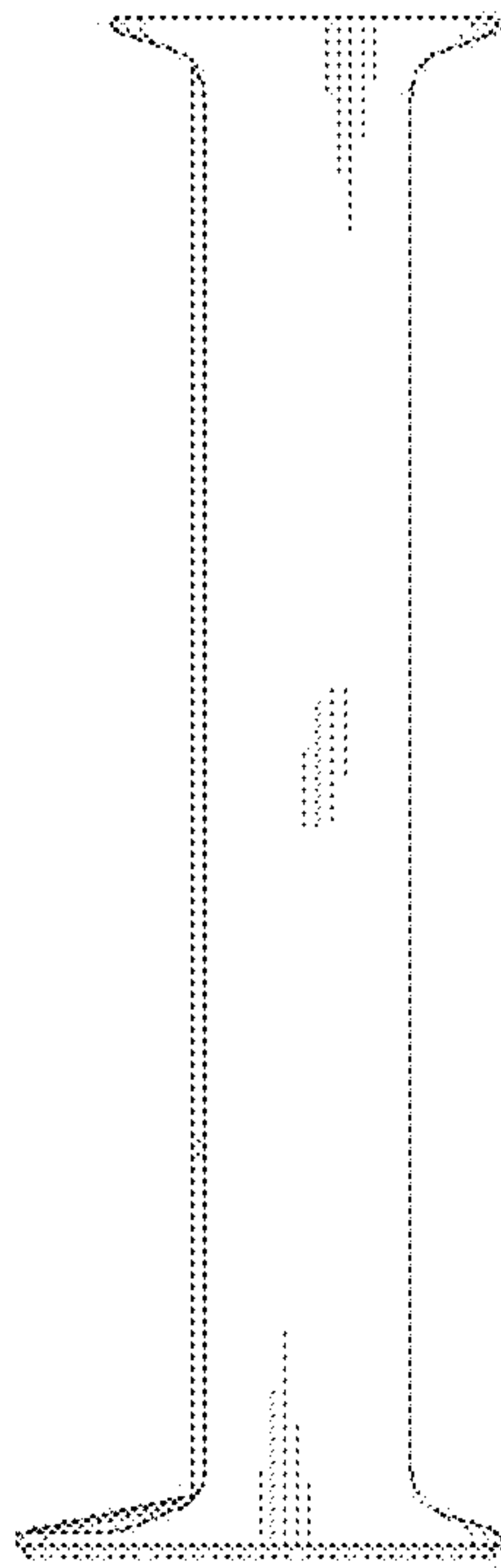


Fig. 3



**Fig. 4**



**Fig. 5**

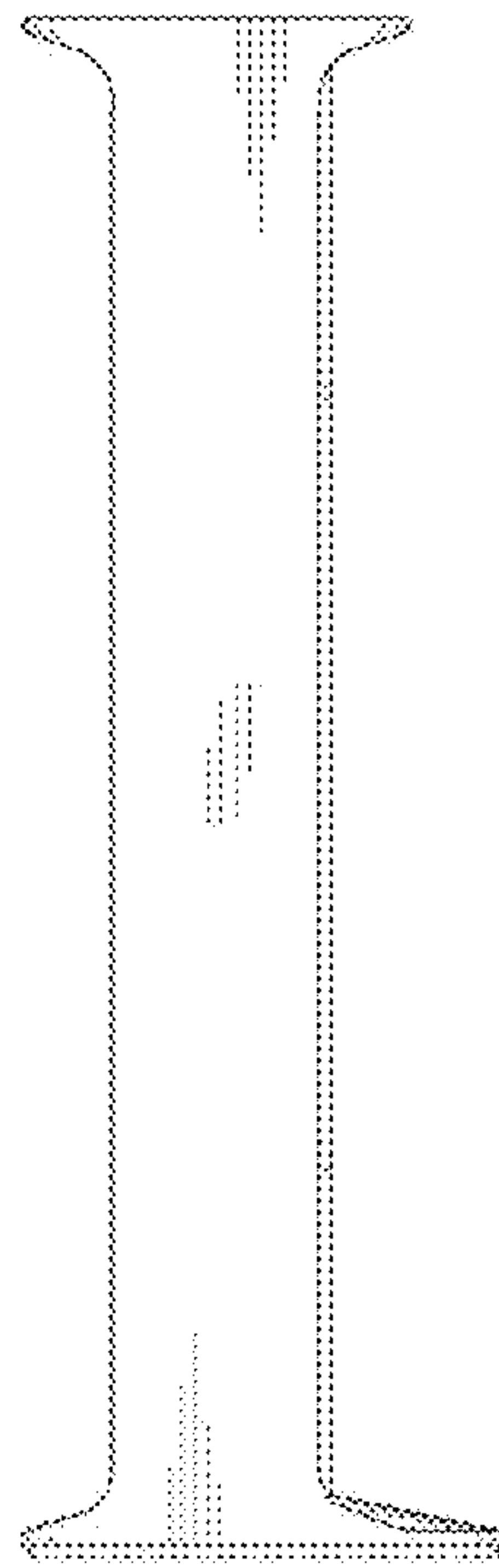


Fig. 6

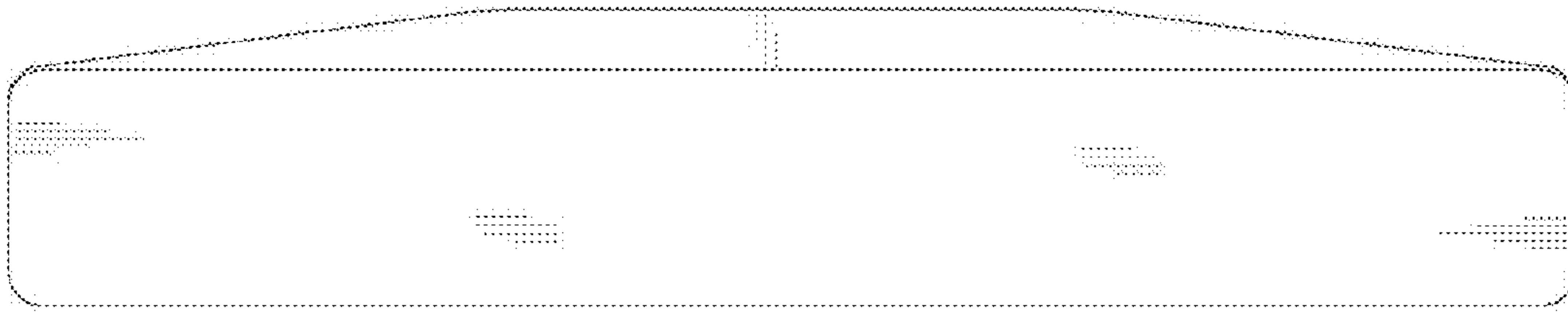


Fig. 7

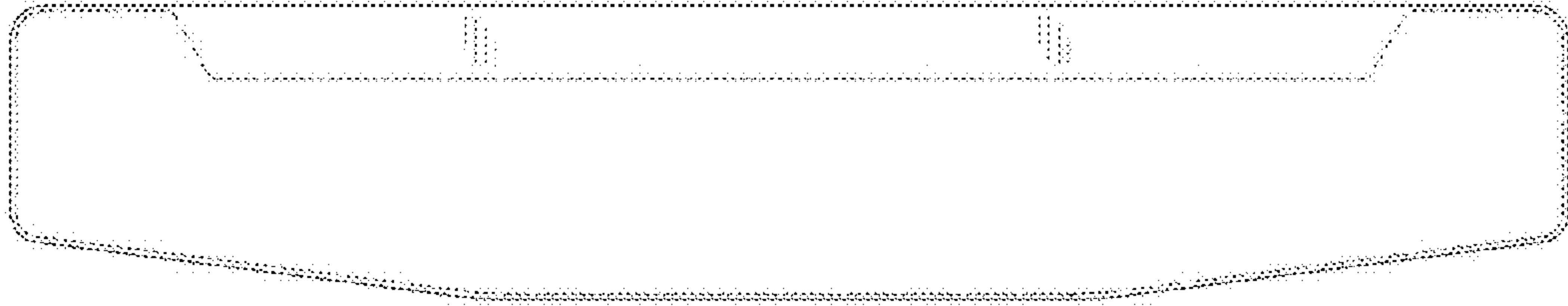




Fig. 8

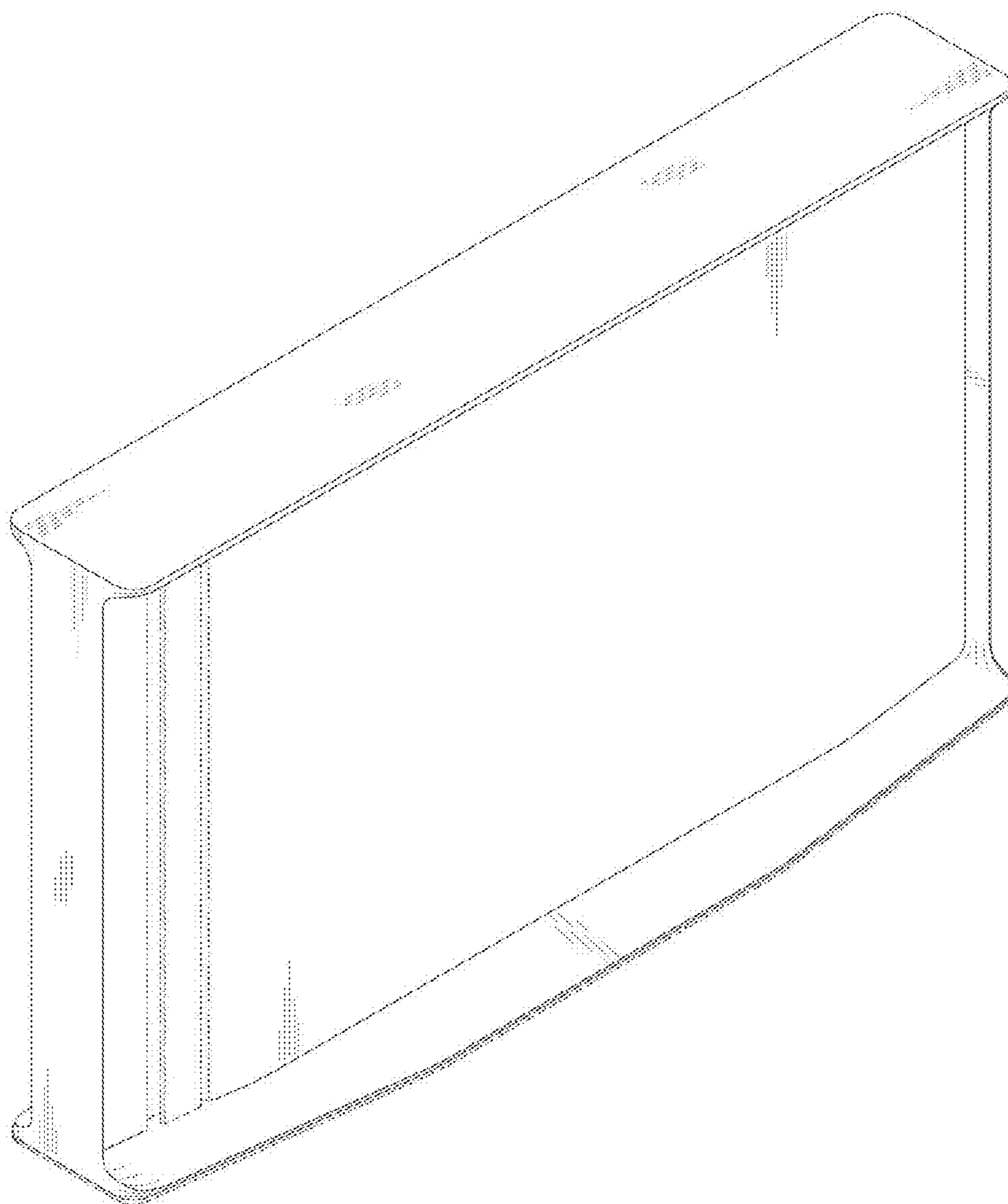


Fig. 9

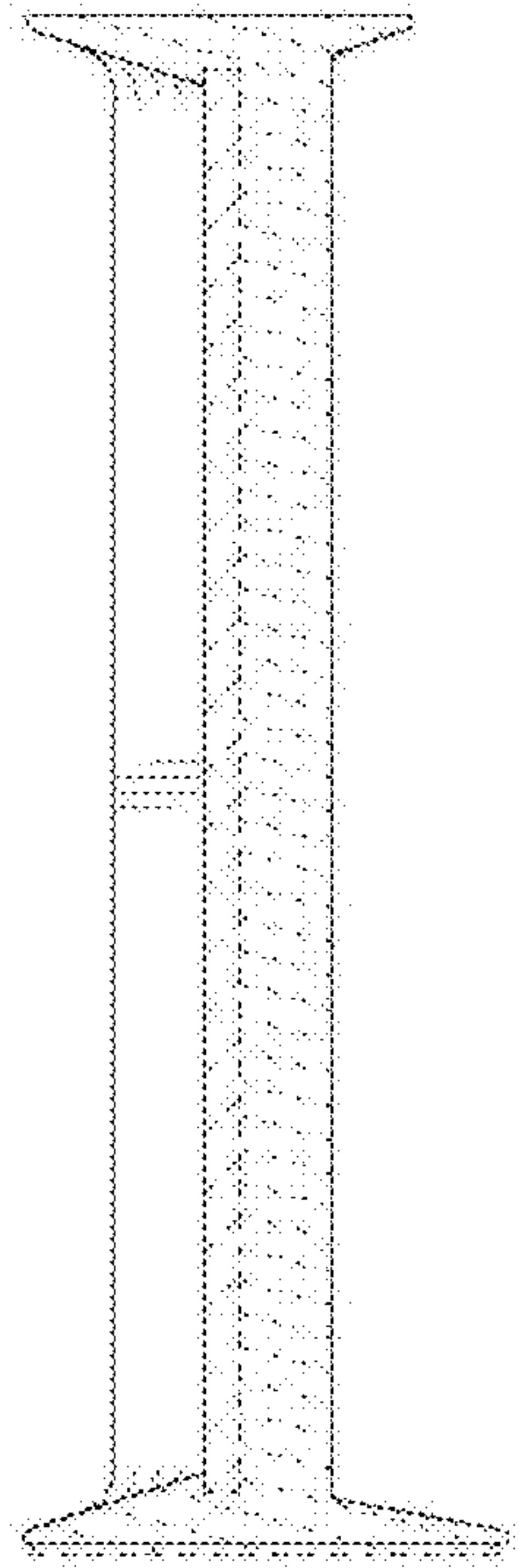


Fig. 10

