



US00D757667S

(12) **United States Design Patent**
Yokota

(10) **Patent No.:** **US D757,667 S**
(45) **Date of Patent:** **** May 31, 2016**

(54) **TELEVISION RECEIVER**
(71) Applicant: **Sony Corporation**, Tokyo (JP)
(72) Inventor: **Hiroaki Yokota**, Tokyo (JP)
(73) Assignee: **Sony Corporation**, Tokyo (JP)
(**) Term: **14 Years**
(21) Appl. No.: **29/485,018**
(22) Filed: **Mar. 14, 2014**

D634,722 S 3/2011 Kim et al.
D634,723 S 3/2011 Park et al.
D655,266 S * 3/2012 Kim D14/126
D668,237 S 10/2012 Chino et al.
D670,257 S 11/2012 Yang et al.
D680,089 S 4/2013 Cho et al.
D691,571 S * 10/2013 Park D14/126
D701,855 S 4/2014 Kumano et al.
D703,168 S * 4/2014 Won D14/126
D708,157 S * 7/2014 Park D14/126
D708,596 S * 7/2014 Park D14/126
D709,470 S * 7/2014 Ryu D14/126

(Continued)

(30) **Foreign Application Priority Data**
Dec. 24, 2013 (CN) 2013 3 0642939
(51) **LOC (10) Cl.** **14-03**
(52) **U.S. Cl.**
USPC **D14/126**
(58) **Field of Classification Search**
USPC D14/125-134, 239, 371, 374-377, 450,
D14/448, 336, 159; D6/300; D10/15, 26;
D16/241; D21/329, 515, 577, 333,
D21/331; 312/7.2; 345/104, 156, 168, 87,
345/173, 690; 446/484, 175; 273/148 B;
248/917-924, 465; 348/836, 838, 180,
348/184, 325, 739
CPC H05K 5/0004; H05K 5/0017; H05K 5/02;
H05K 5/0216; G06F 1/1601; G06F 1/1643
See application file for complete search history.

FOREIGN PATENT DOCUMENTS

JP D1158435 S 11/2002
JP D1432717 S 1/2012

(Continued)

Primary Examiner — Eric Goodman
Assistant Examiner — Clese Moore, Jr.
(74) *Attorney, Agent, or Firm* — Michael Best & Friedrich LLP

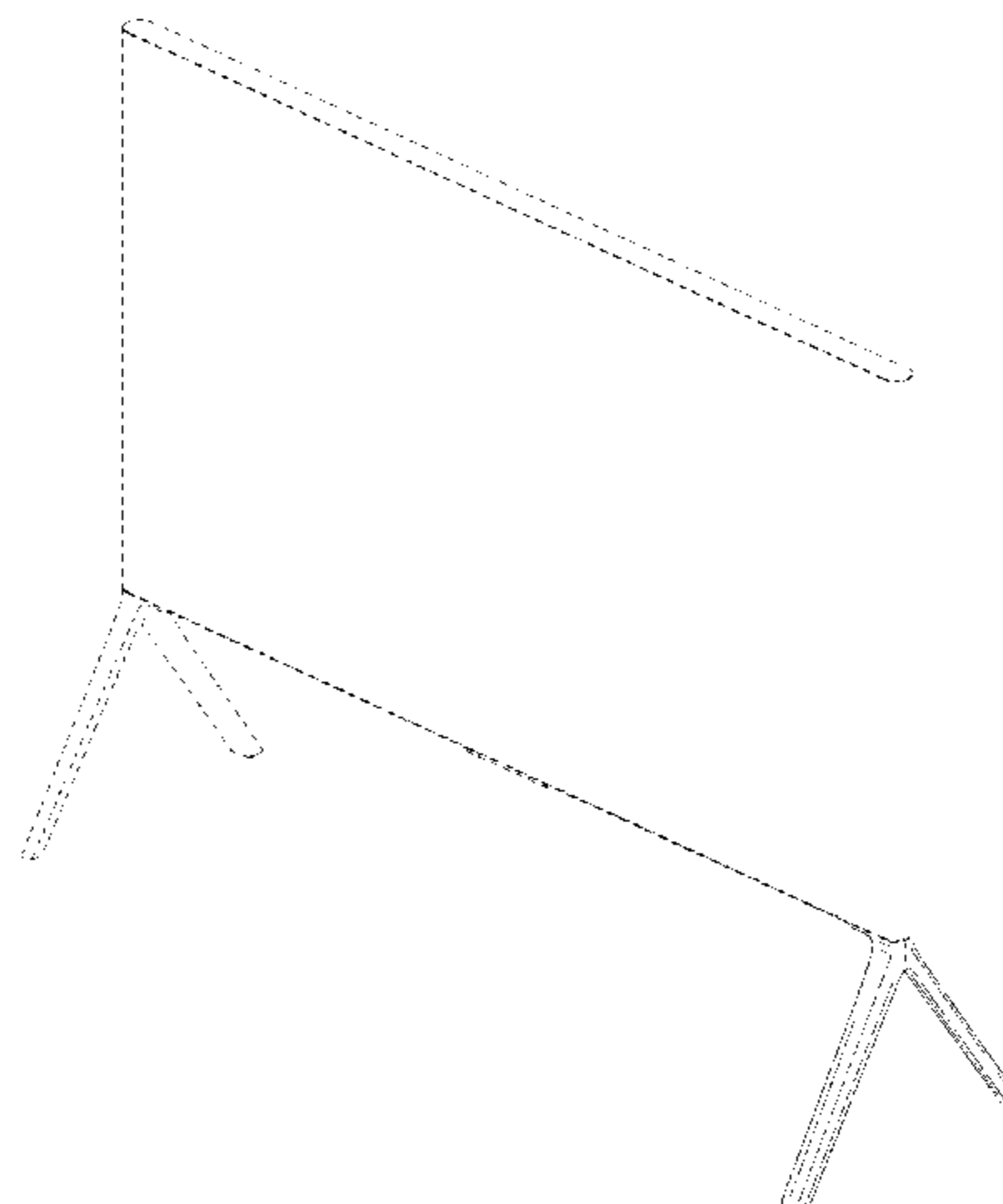
(57) **CLAIM**
The ornamental design for a television receiver, as shown and described.

DESCRIPTION

FIG. 1 is a front, top, right perspective view of a television receiver showing my new design;
FIG. 2 is a rear, top, right perspective view thereof;
FIG. 3 is a front bottom perspective view thereof;
FIG. 4 is a front elevational view thereof;
FIG. 5 is a rear elevational view thereof;
FIG. 6 is a right side elevational view thereof;
FIG. 7 is a top plan view thereof; and,
FIG. 8 is a bottom plan view thereof.
The broken lines shown illustrate portions of the television receiver that form no part of the claimed design.

1 Claim, 7 Drawing Sheets

(56) **References Cited**
U.S. PATENT DOCUMENTS
D412,891 S 8/1999 Sumii
D475,356 S 6/2003 Niitsu
D488,451 S 4/2004 Niitsu
D510,919 S 10/2005 Kubota et al.
D529,883 S 10/2006 Hoehn et al.
D597,505 S * 8/2009 Hirasawa D14/126
D620,461 S 7/2010 Han et al.



(56)

References Cited

U.S. PATENT DOCUMENTS

D716,244 S * 10/2014 Kim D14/126
D718,262 S * 11/2014 Ogiya D14/126
D719,119 S * 12/2014 Park D14/126
D720,709 S * 1/2015 Lee D14/126
D721,049 S * 1/2015 Lee D14/126
D722,986 S * 2/2015 Zwier D14/126
D722,989 S * 2/2015 Park D14/126
D723,483 S * 3/2015 Lee D14/126
D723,486 S * 3/2015 Lee D14/126
D725,619 S * 3/2015 Choi D14/126

D725,621 S * 3/2015 Kim D14/126
D726,135 S * 4/2015 Takechi D14/126
D726,136 S * 4/2015 Cho D14/126
D726,667 S * 4/2015 Kim D14/126
D727,865 S * 4/2015 Moon D14/126
D729,755 S * 5/2015 McManigal D14/126

FOREIGN PATENT DOCUMENTS

JP D1436939 S 3/2012
JP D1462440 S 2/2013

* cited by examiner

FIG. 1

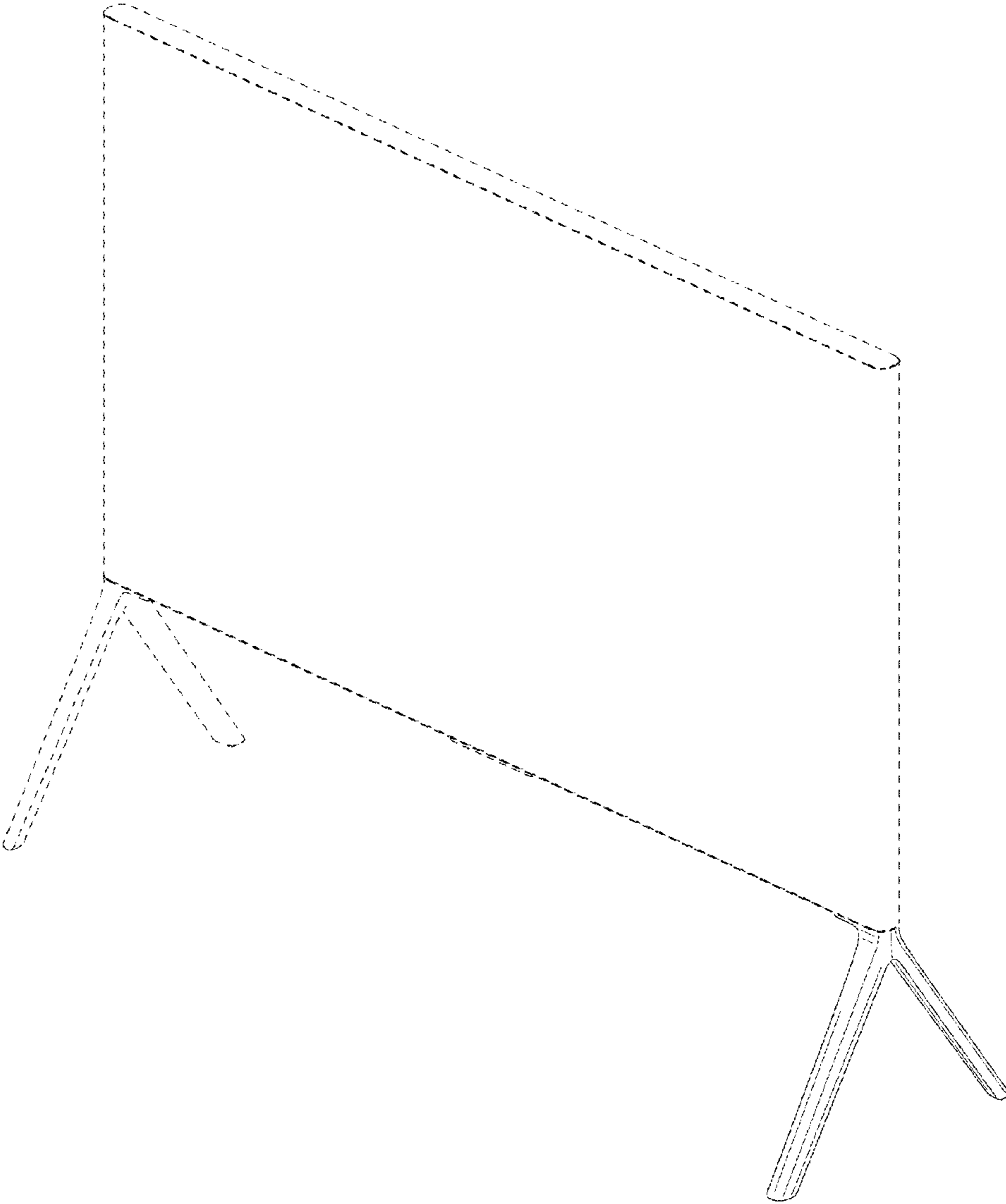


FIG.2

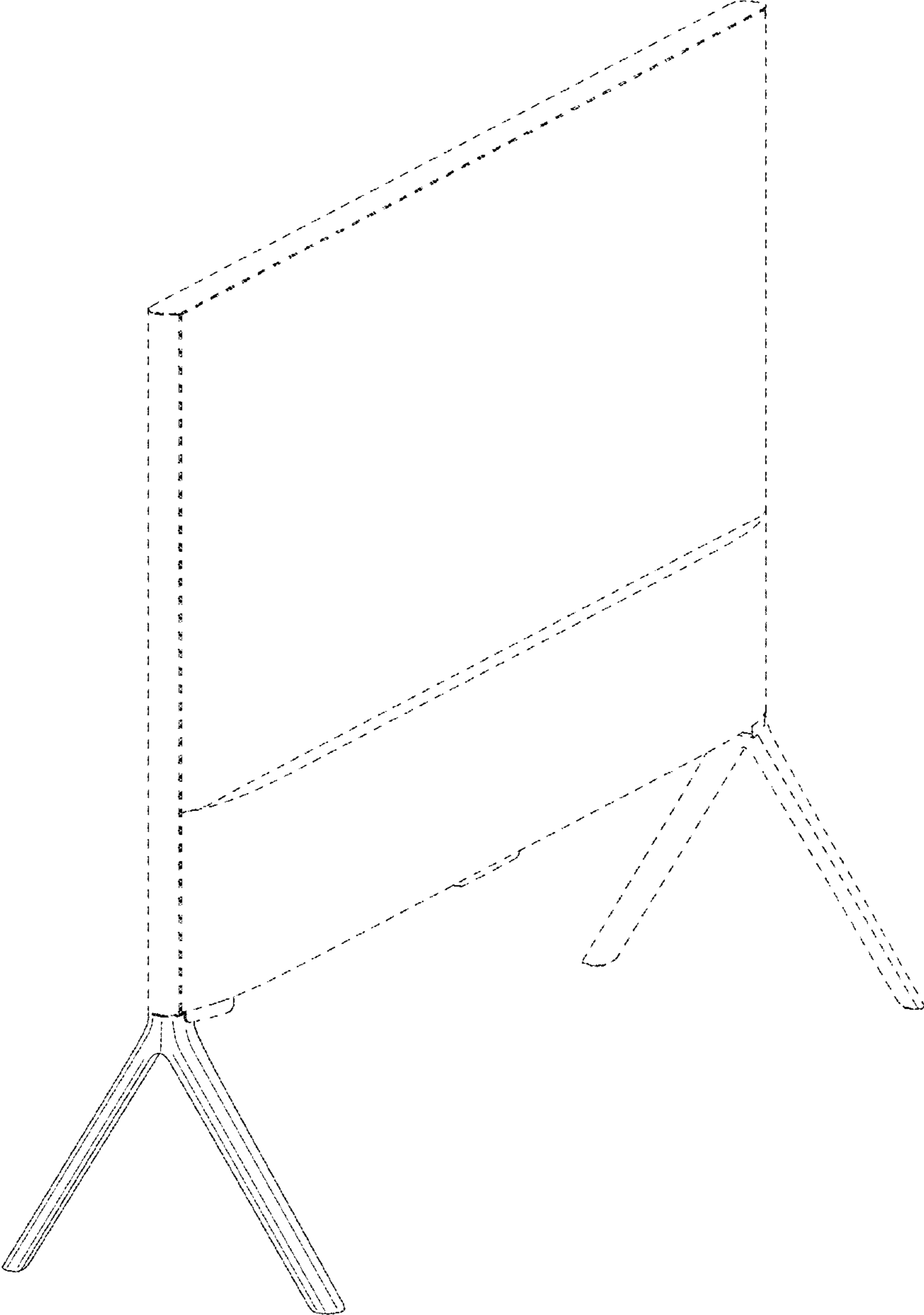


FIG. 3

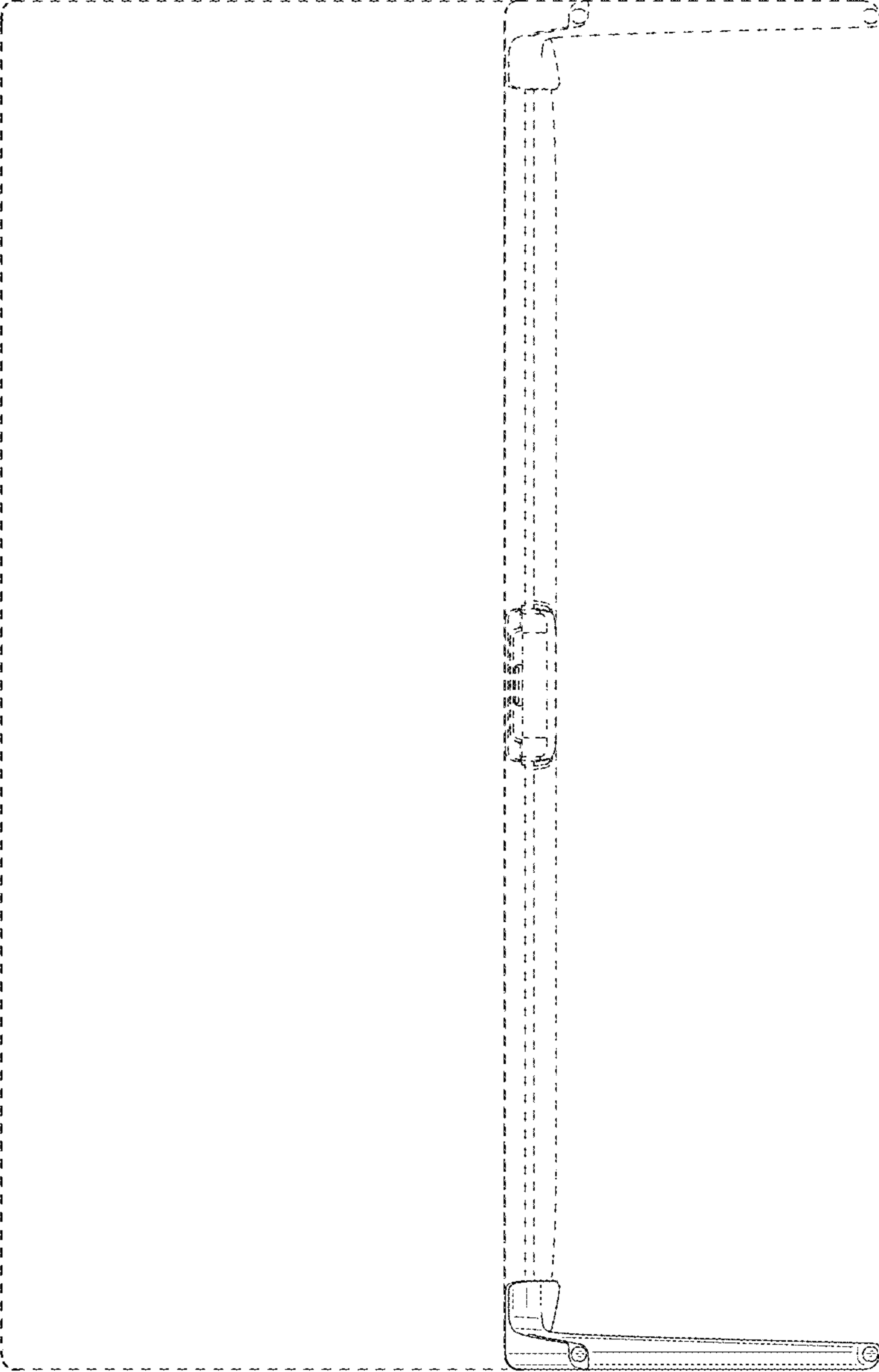


FIG.4

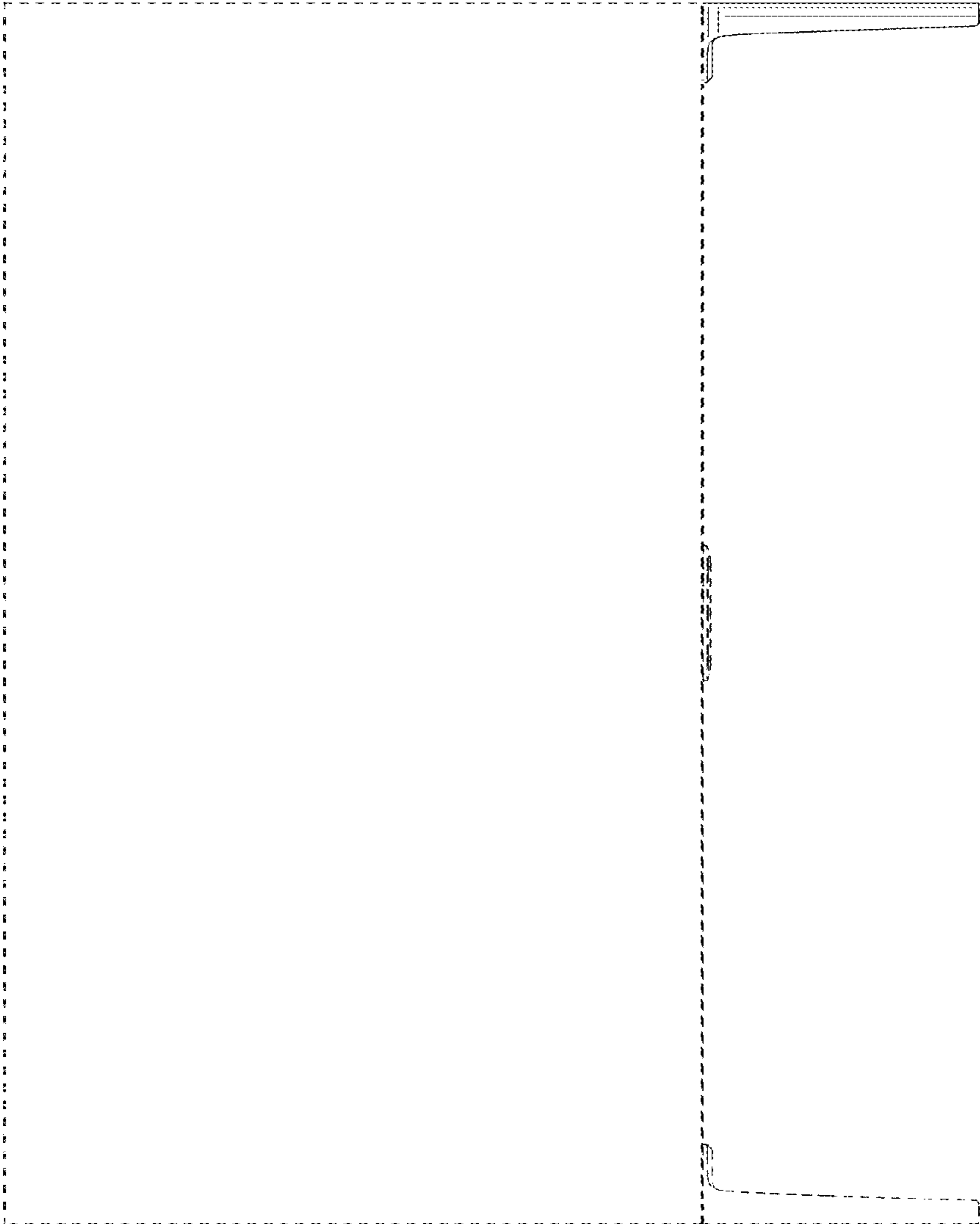


FIG. 5

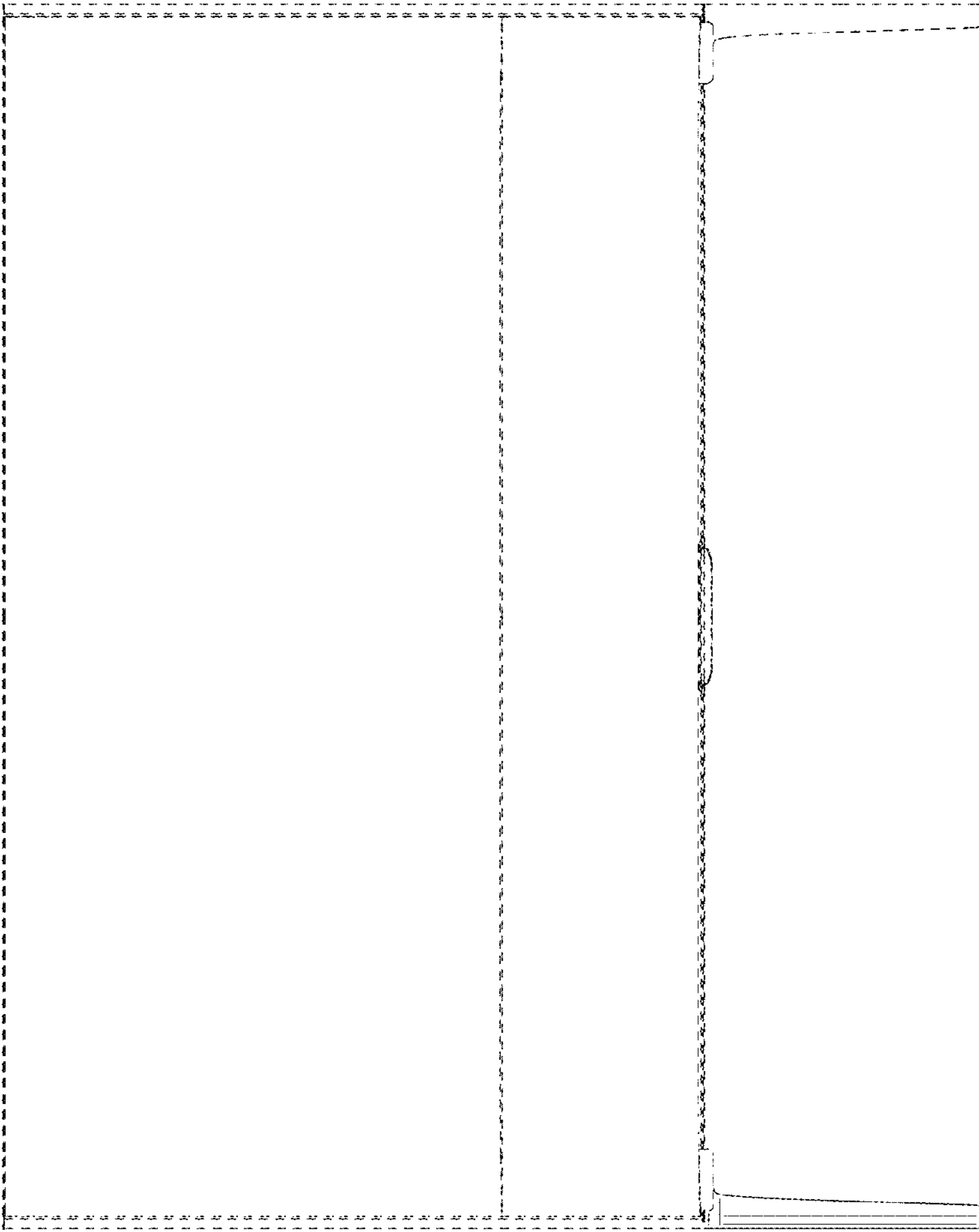


FIG.6

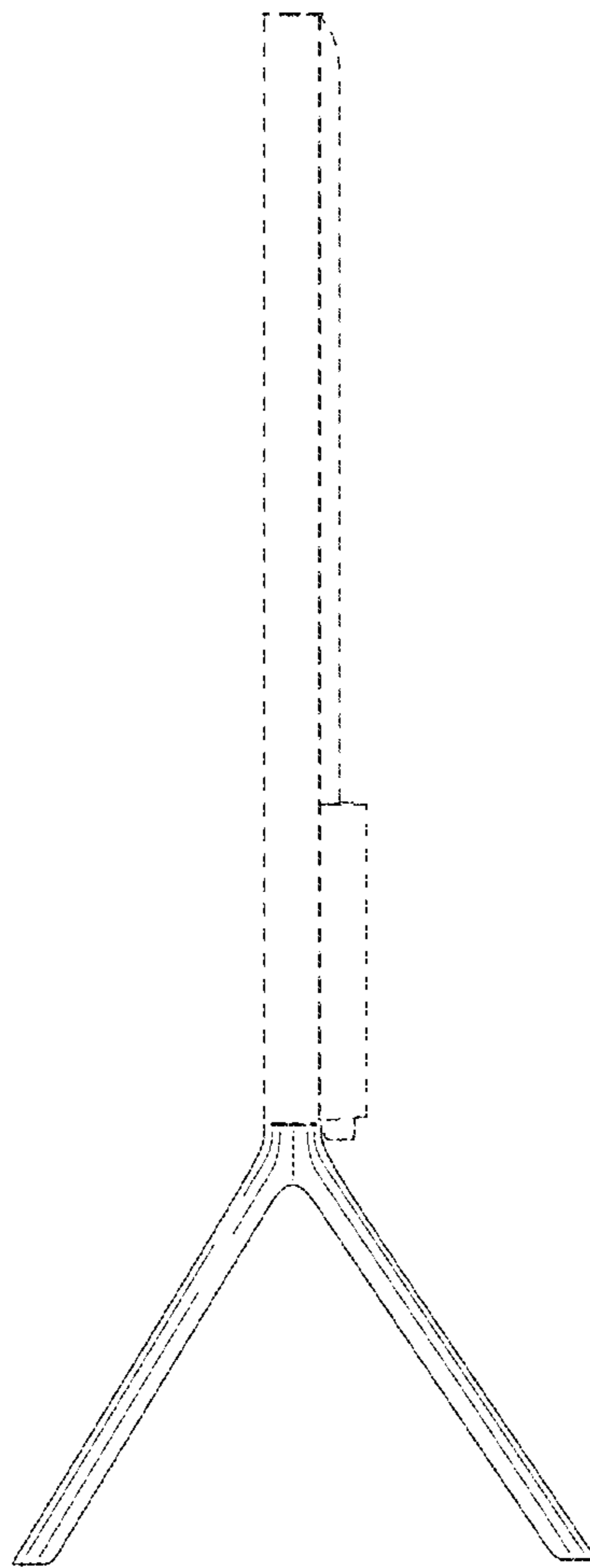


FIG.7

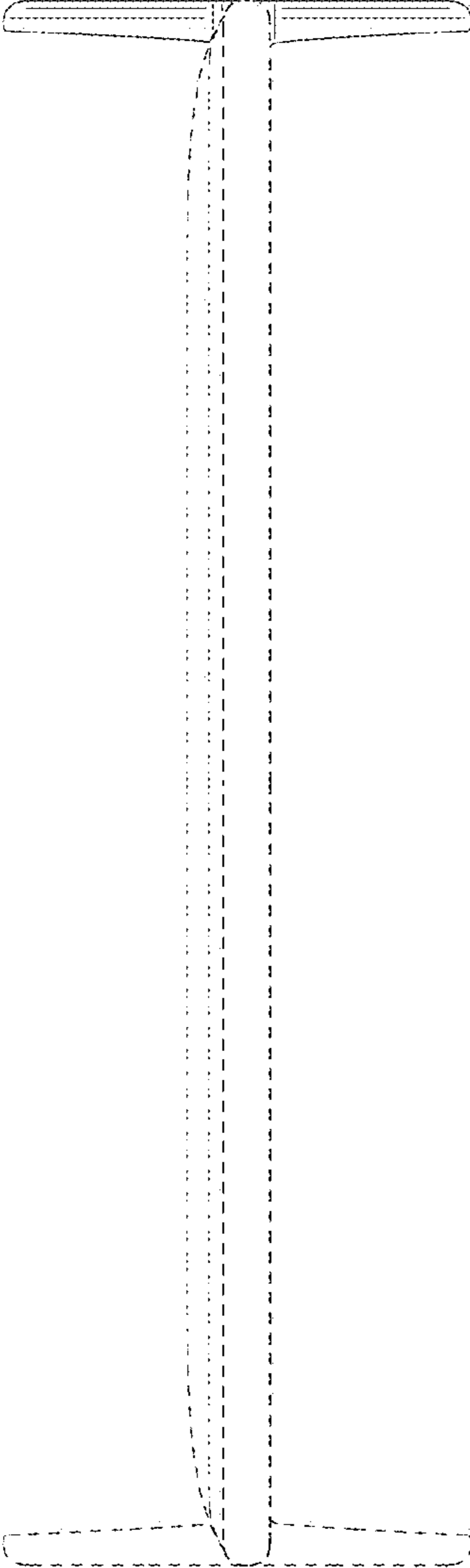


FIG.8

