



US00D757666S

(12) **United States Design Patent**  
**Yokoo**

(10) **Patent No.:** **US D757,666 S**  
(45) **Date of Patent:** **\*\* May 31, 2016**

- (54) **FLEXIBLE PRINTED CIRCUIT**
- (71) Applicant: **Japan Aviation Electronics Industry, Limited**, Tokyo (JP)
- (72) Inventor: **Hiroyuki Yokoo**, Tokyo (JP)
- (73) Assignee: **Japan Aviation Electronics Industry, Limited**, Tokyo (JP)
- (\*\*) Term: **14 Years**
- (21) Appl. No.: **29/522,610**
- (22) Filed: **Apr. 1, 2015**
- (30) **Foreign Application Priority Data**

Oct. 16, 2014 (JP) ..... 2014-023142

- (51) **LOC (10) Cl.** ..... **13-03**
- (52) **U.S. Cl.**  
USPC ..... **D13/182**

- (58) **Field of Classification Search**  
USPC ..... D13/182, 155; 174/68.1, 68.2, 68.3, 174/250, 253, 254, 255, 256, 257, 258, 260  
CPC ..... H05K 3/36; H05K 3/361; H05K 3/363; H05K 3/365; H05K 3/40; H05K 3/4007; H05K 3/4015; H05K 3/0052; H05K 3/28; H05K 3/281; H05K 2201/0999; H05K 2201/09818; H05K 2201/04; H05K 2201/05; H05K 2201/051; H05K 2201/052; H05K 2201/053; H05K 2201/055; H05K 2201/056; H05K 2201/057; H05K 2201/058; H05K 2201/0715; H05K 1/0393; H05K 1/118; H05K 1/028; H05K 1/0281; H05K 1/0283  
See application file for complete search history.

- (56) **References Cited**  
U.S. PATENT DOCUMENTS

3,372,310 A \* 3/1968 Kantor ..... H01L 23/5384  
257/724  
3,646,399 A \* 2/1972 Mars ..... H05K 1/0209  
174/252

3,777,221 A \* 12/1973 Tatusko ..... H01L 23/5384  
174/261  
D363,920 S \* 11/1995 Roberts ..... D13/182  
D397,093 S \* 8/1998 Kim ..... D13/182  
D465,772 S \* 11/2002 Poulter ..... D13/182  
D466,093 S \* 11/2002 Ebihara ..... D13/182  
D471,167 S \* 3/2003 Ebihara ..... D13/182  
D471,524 S \* 3/2003 Ebihara ..... D13/182  
D493,152 S \* 7/2004 Baker ..... D13/182  
D529,031 S \* 9/2006 Huang ..... D13/182  
D548,201 S \* 8/2007 Jones ..... D13/182  
D556,158 S \* 11/2007 Kong ..... D13/182  
7,579,687 B2 \* 8/2009 Szeverenko ..... G06F 1/20  
257/707  
D601,520 S \* 10/2009 Yokota ..... D13/182  
D601,978 S \* 10/2009 Matsuba ..... D13/182  
7,616,452 B2 \* 11/2009 Wehrly, Jr. .... H05K 1/189  
174/254  
D605,613 S \* 12/2009 Carter ..... D13/182  
D612,347 S \* 3/2010 Yokota ..... D13/182

(Continued)

FOREIGN PATENT DOCUMENTS

JP 1478265 S 9/2013

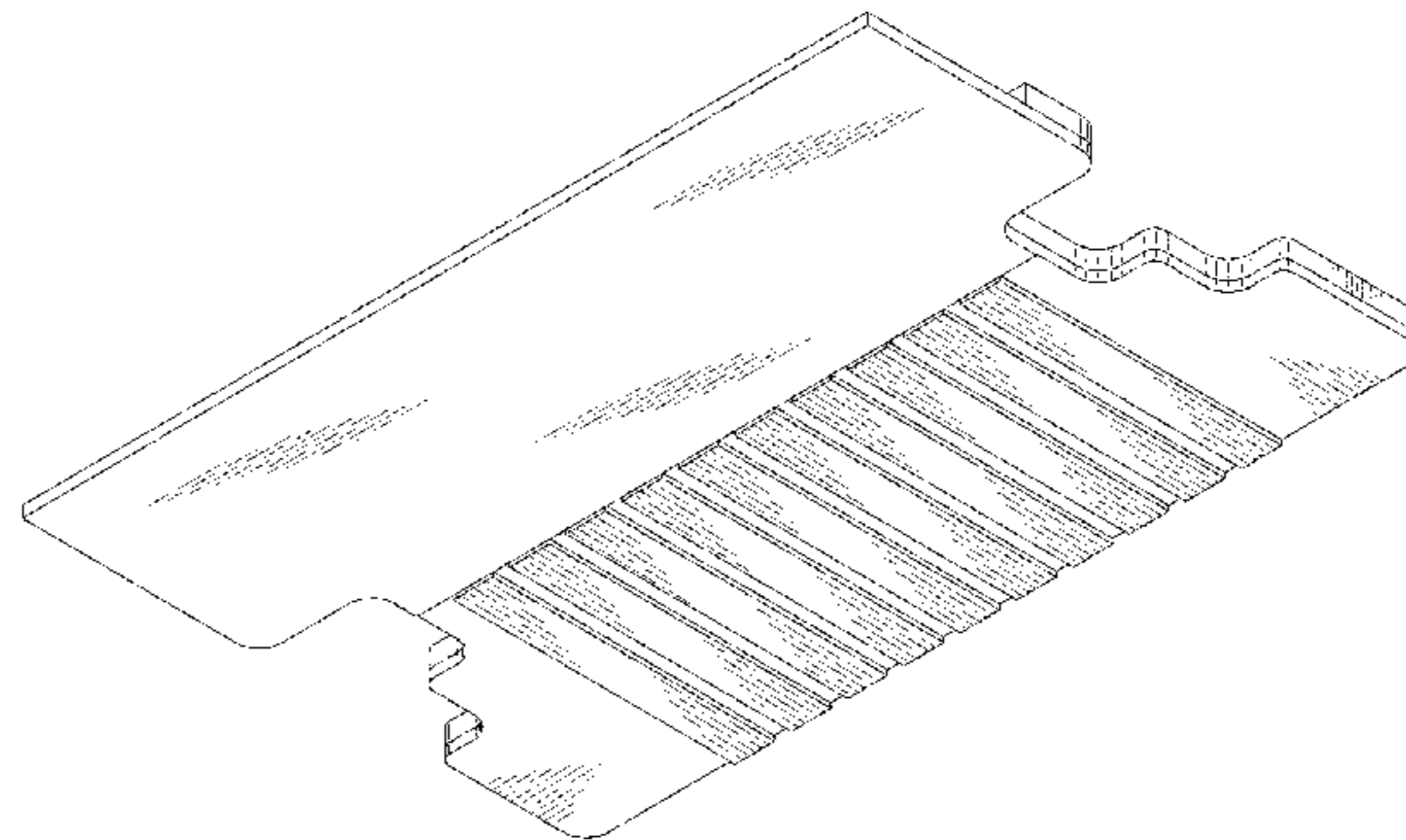
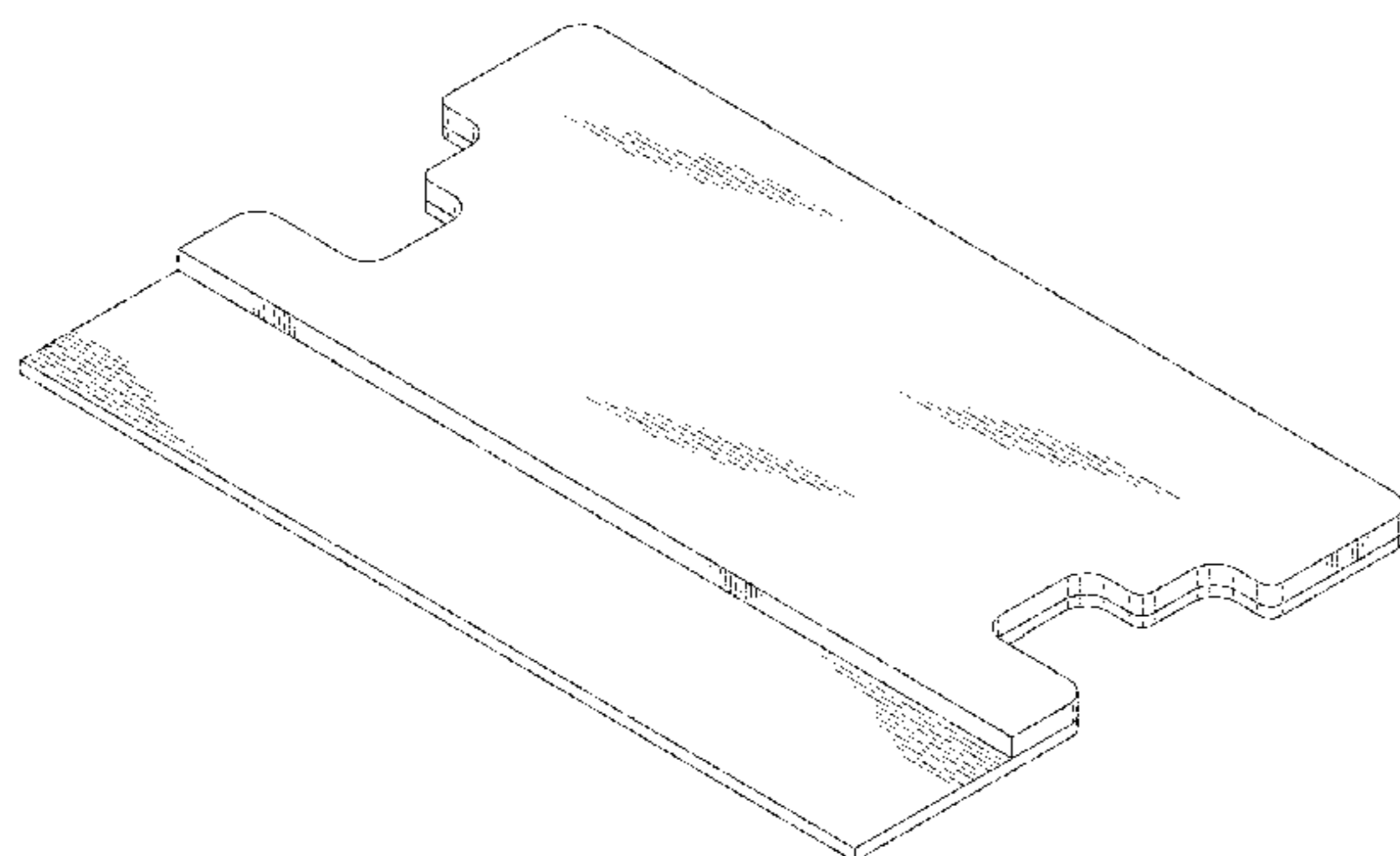
*Primary Examiner* — Elizabeth J Oswecki  
(74) *Attorney, Agent, or Firm* — Cermak Nakajima & McGowan LLP; Tomoko Nakajima

- (57) **CLAIM**  
The ornamental design for a flexible printed circuit, as shown.

**DESCRIPTION**

FIG. 1 is a front elevational view of a flexible printed circuit showing my new design;  
FIG. 2 is a top plan view thereof;  
FIG. 3 is a right side elevational view thereof;  
FIG. 4 is a left side elevational view thereof;  
FIG. 5 is a rear elevational view thereof;  
FIG. 6 is a bottom plan view thereof;  
FIG. 7 is a front, top perspective view thereof; and,  
FIG. 8 is a front, bottom perspective view thereof.

**1 Claim, 8 Drawing Sheets**



(56)

References Cited

U.S. PATENT DOCUMENTS

D615,506 S *	5/2010	Eide .....	D13/182	D673,921 S *	1/2013	Ozawa .....	D13/182
D637,566 S *	5/2011	Cleghorn .....	D13/182	D673,922 S *	1/2013	Moriai .....	D13/182
D639,756 S *	6/2011	Greene, Jr. ....	D13/182	D691,101 S *	10/2013	Ishizawa .....	D13/182
D642,546 S *	8/2011	Greene, Jr. ....	D13/182	D699,201 S *	2/2014	Petsch .....	D13/182
D647,072 S *	10/2011	Bentley .....	D13/182	2002/0196612 A1 *	12/2002	Gall .....	G06F 1/184
D656,111 S *	3/2012	Kajiya .....	D13/182				361/760
D656,112 S *	3/2012	Kajiya .....	D13/182	2003/0035328 A1 *	2/2003	Hamamatsu .....	G11C 29/46
D661,265 S *	6/2012	Kajiya .....	D13/182				365/200
				2003/0081387 A1 *	5/2003	Schulz .....	H05K 1/117
							361/728

\* cited by examiner

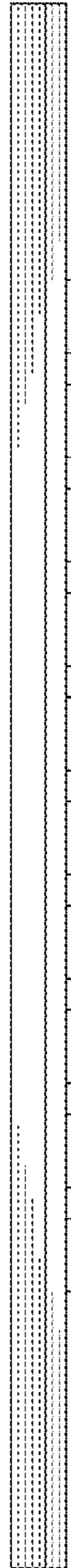


FIG. 1

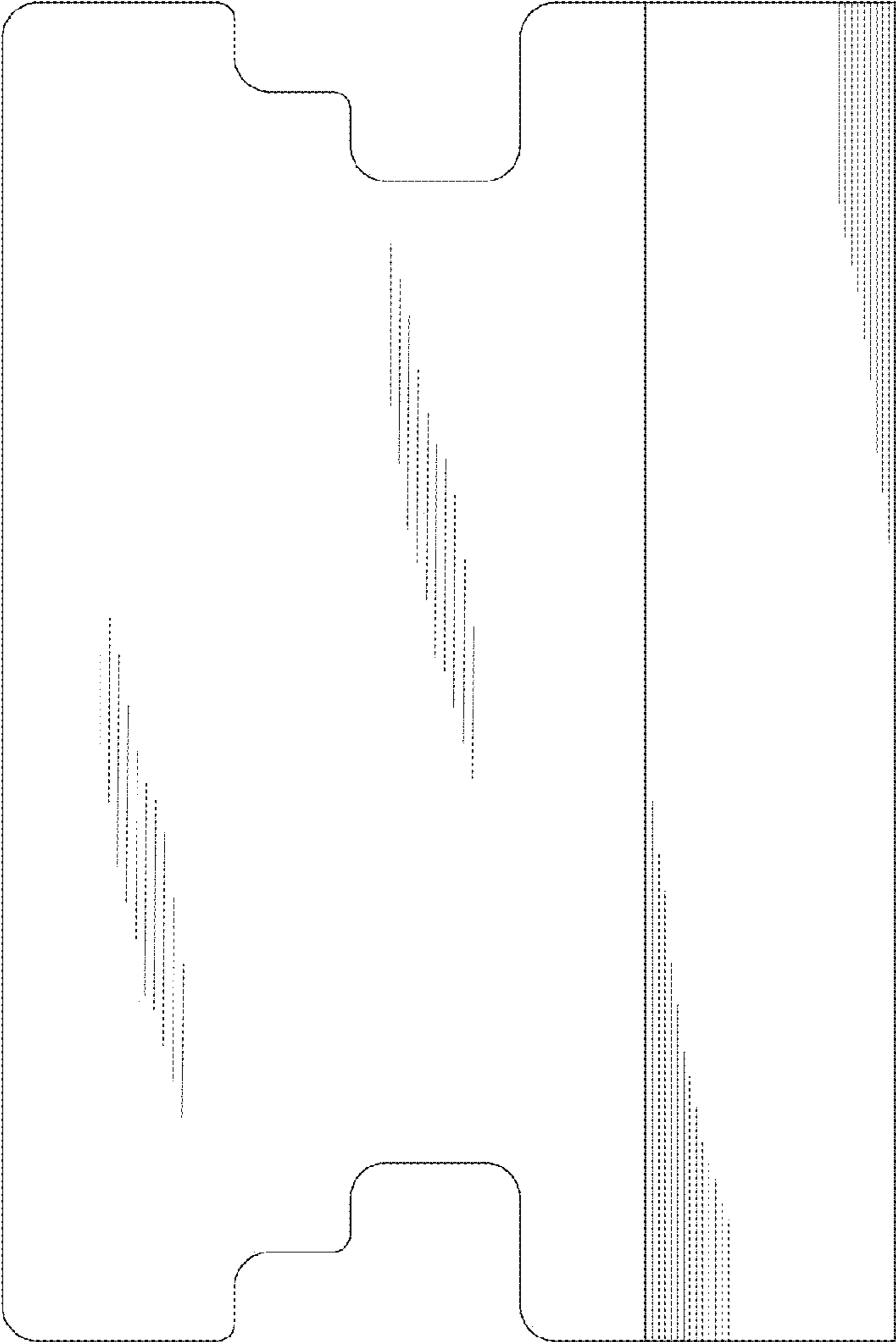


FIG.2

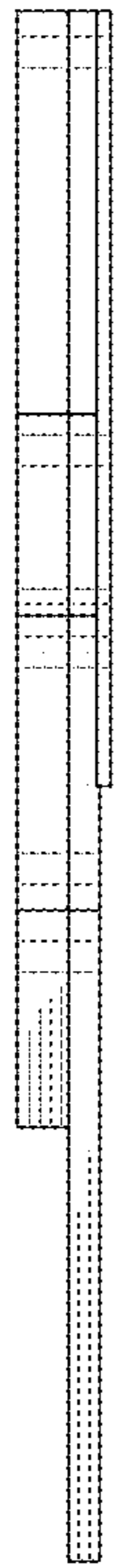


FIG.3

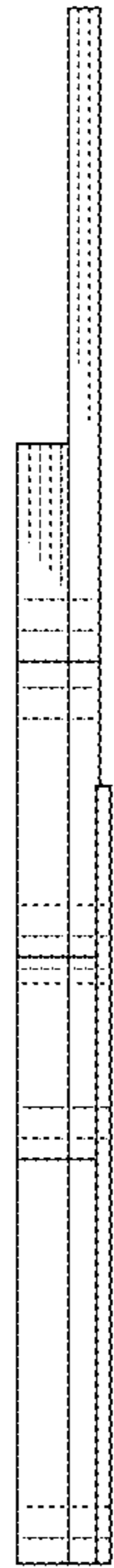


FIG.4

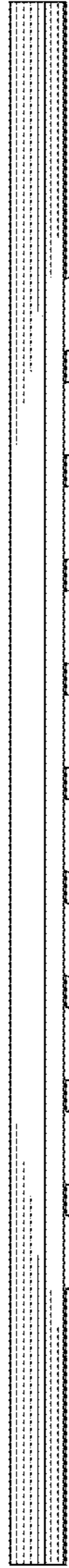


FIG. 5

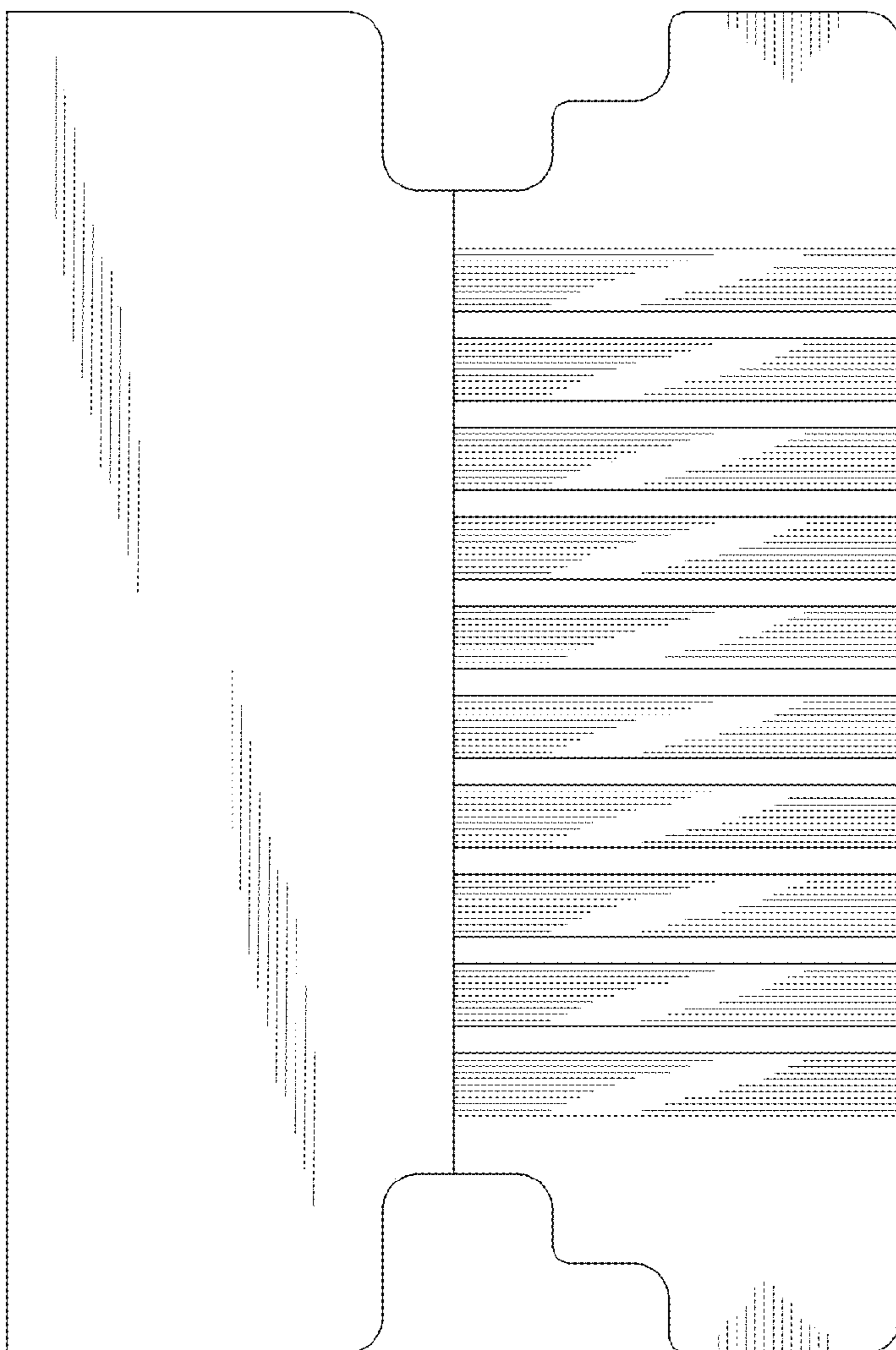


FIG. 6



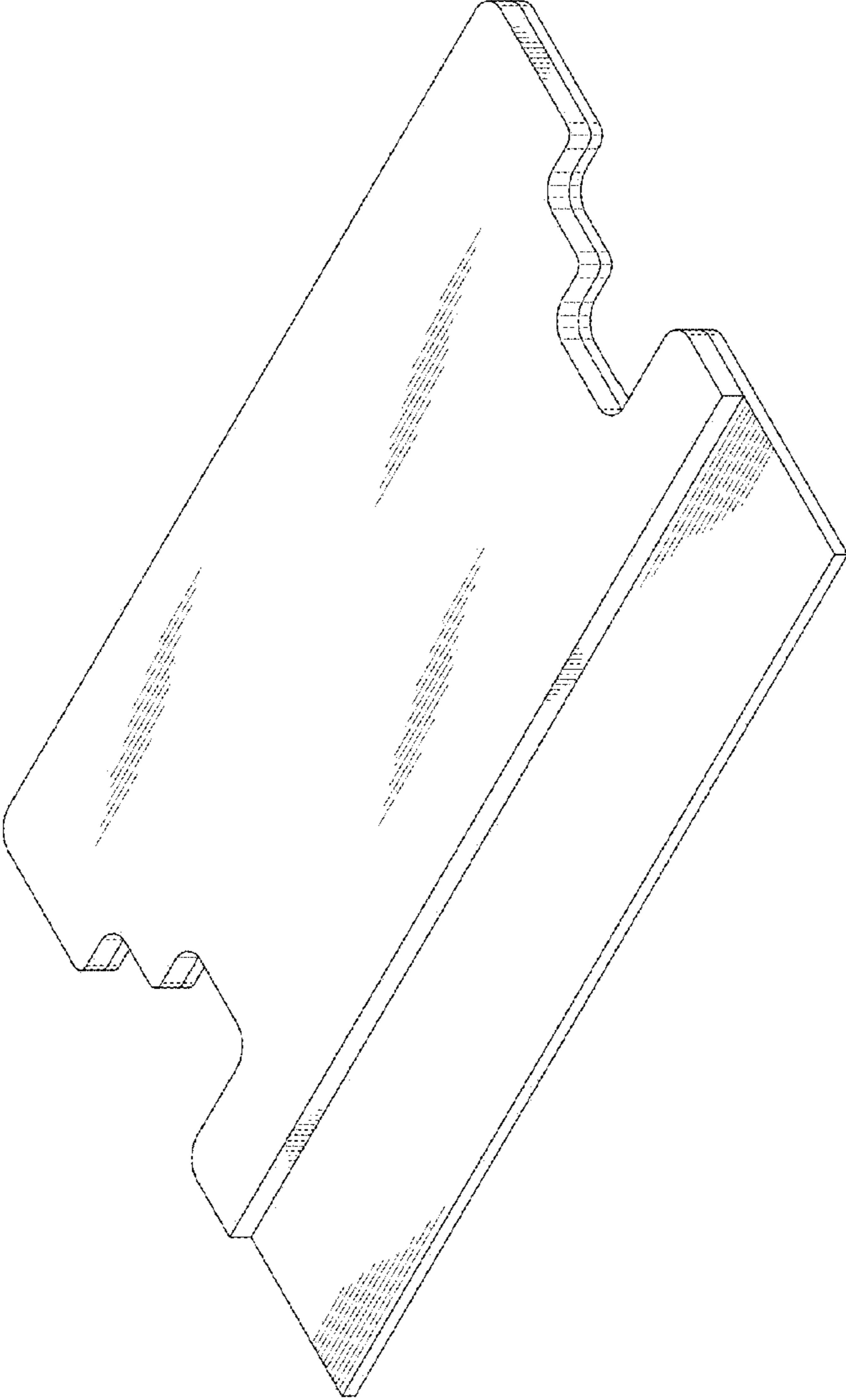


FIG.7

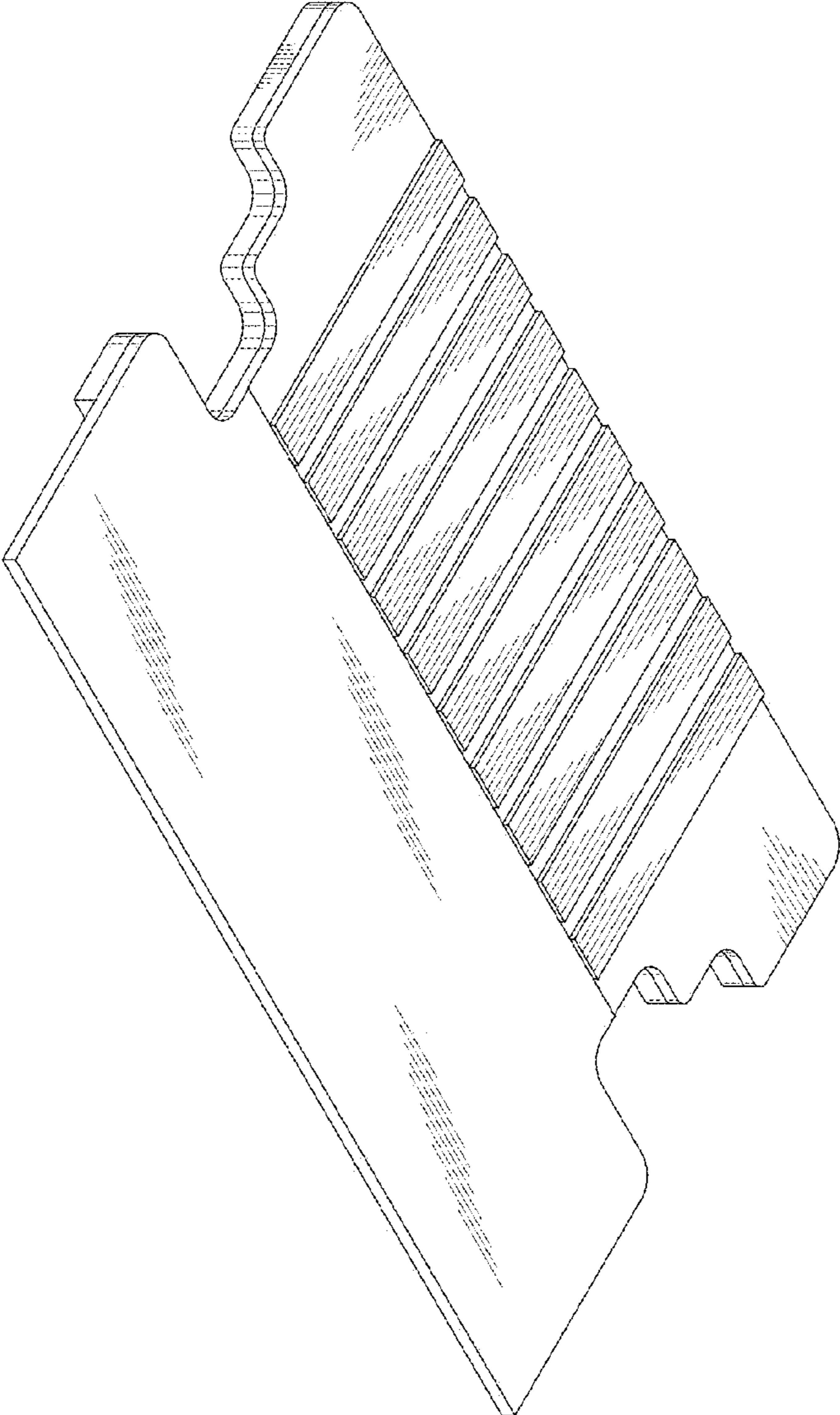


FIG.8