



US00D757661S

(12) **United States Design Patent**
Amano

(10) **Patent No.:** **US D757,661 S**
(45) **Date of Patent:** **** May 31, 2016**

(54) **PUSH SWITCH**
(71) Applicants: **CITIZEN ELECTRONICS CO., LTD.**,
Yamanashi-ken (JP); **CITIZEN HOLDINGS CO., LTD.**, Tokyo (JP)
(72) Inventor: **Toyohiko Amano**, Yamanashi-ken (JP)
(73) Assignees: **CITIZEN ELECTRONICS CO., LTD.**,
Yamanashi-Ken (JP); **CITIZEN HOLDINGS CO., LTD.**, Tokyo (JP)
(**) Term: **14 Years**

(21) Appl. No.: **29/493,342**
(22) Filed: **Jun. 9, 2014**

(30) **Foreign Application Priority Data**
Dec. 12, 2013 (JP) 2013-029167
Dec. 12, 2013 (JP) 2013-029168
Dec. 12, 2013 (JP) 2013-029169
Dec. 12, 2013 (JP) 2013-029170
Dec. 12, 2013 (JP) 2013-029177
Dec. 12, 2013 (JP) 2013-029178

(51) **LOC (10) Cl.** **13-03**
(52) **U.S. Cl.**
USPC **D13/171**
(58) **Field of Classification Search**
USPC D13/158, 171
CPC H01H 13/48; H01H 13/52; H01H 13/64;
H01H 15/102; H01H 15/20
See application file for complete search history.

(56) **References Cited**
U.S. PATENT DOCUMENTS
6,018,132 A * 1/2000 Chen H01H 13/48
200/406
6,495,783 B2 * 12/2002 Rochon H01H 15/102
200/406
7,022,928 B2 * 4/2006 Watanabe H01H 1/5805
200/406

7,525,059 B2 * 4/2009 Masuda H01H 3/38
200/406
7,547,858 B2 * 6/2009 Nagata H01H 13/48
200/406
D613,253 S * 4/2010 Yamanaka D13/158
D625,271 S * 10/2010 Yamanaka D13/158
D627,742 S * 11/2010 Yamanaka D13/158
8,115,130 B2 * 2/2012 Kikuchi H01H 13/14
200/406
8,124,902 B2 * 2/2012 Watanabe H01H 13/20
200/406
8,507,818 B2 * 8/2013 Kwak H01H 13/48
200/406
9,142,368 B2 * 9/2015 Watanabe H01H 13/04

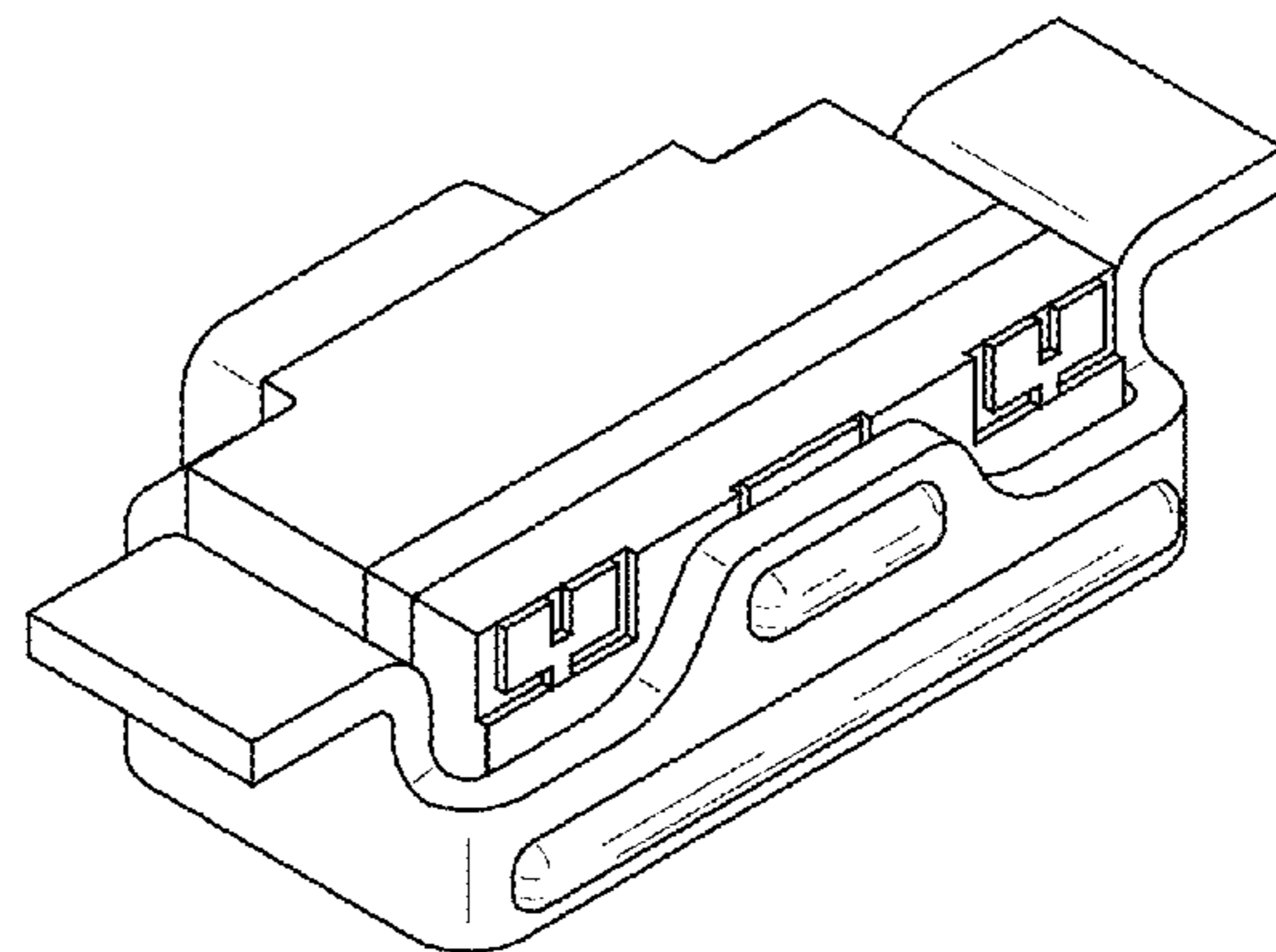
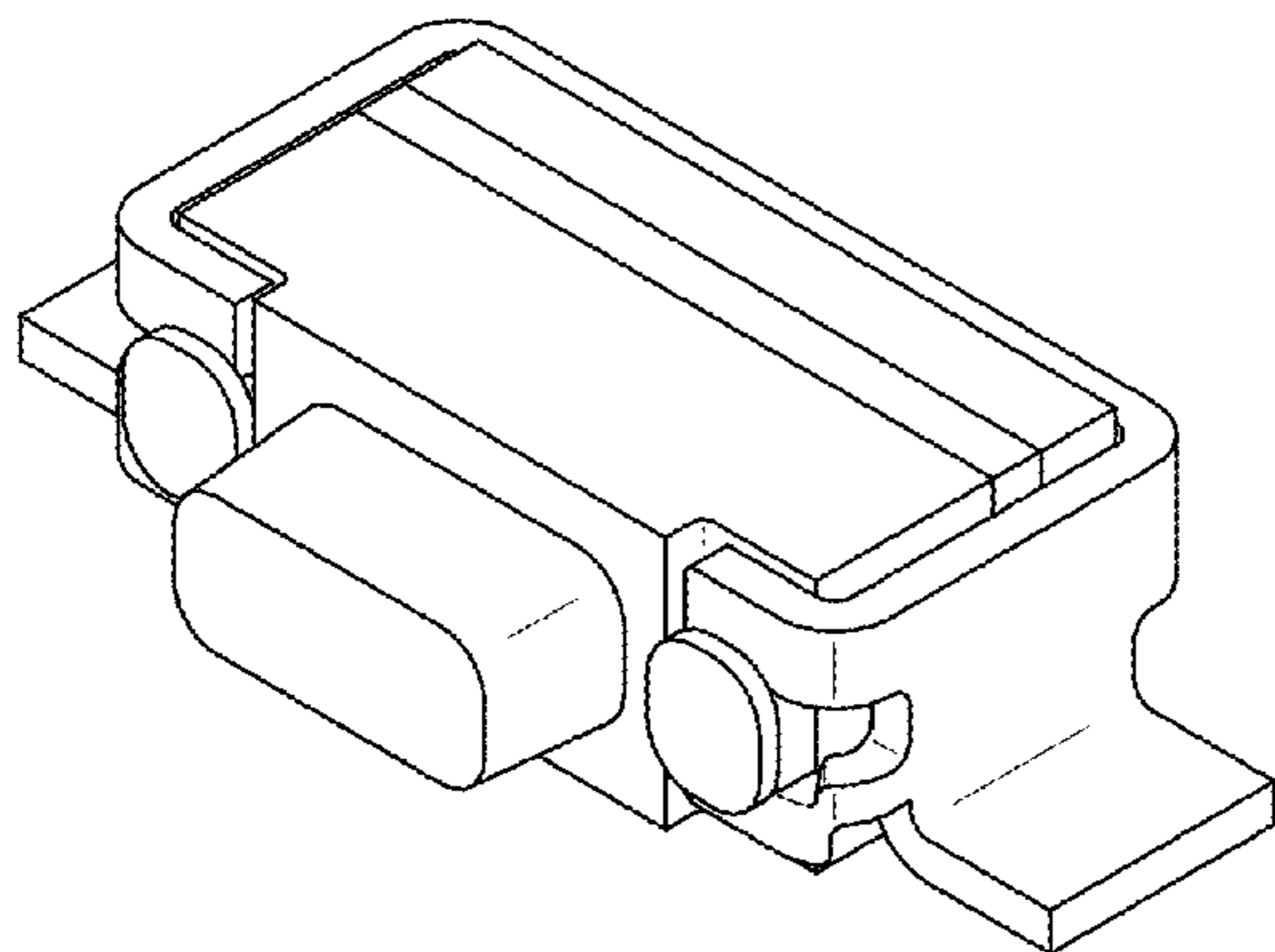
(Continued)

Primary Examiner — Selina Sikder
(74) *Attorney, Agent, or Firm* — Wenderoth, Lind & Ponack,
L.L.P.

(57) **CLAIM**
The ornamental design for a push switch, as shown and described.

DESCRIPTION
FIG. 1 is a top perspective view of a first embodiment of a push switch showing an upper surface with front and right side surfaces;
FIG. 2 is a bottom perspective view thereof showing a bottom surface with rear and left side surfaces;
FIG. 3 is a front view thereof;
FIG. 4 is a rear view thereof;
FIG. 5 is a top plan view thereof;
FIG. 6 is a bottom plan view thereof;
FIG. 7 is a left side view thereof, a right side view being a mirror image of FIG. 7;
FIG. 8 is a top perspective view of a second embodiment of a push switch showing an upper surface with front and right side surfaces;
FIG. 9 is a bottom perspective view thereof showing a bottom surface with rear and left side surfaces;
FIG. 10 is a front view thereof;
FIG. 11 is a rear view thereof;
FIG. 12 is a top plan view thereof;
FIG. 13 is a bottom plan view thereof; and,
FIG. 14 is a left side view thereof, a right side view being a mirror image of FIG. 14.

1 Claim, 8 Drawing Sheets



US D757,661 S

Page 2

(56)

References Cited

U.S. PATENT DOCUMENTS

2001/0013466 A1*	8/2001	Yanai	H01H 1/5805 200/406	2006/0065514 A1*	3/2006	Toyama	H01H 13/023 200/310
2006/0037851 A1*	2/2006	Hu	H01H 15/102 200/406	2009/0201655 A1*	8/2009	Watanabe	H01H 13/48 361/781
				2010/0032271 A1*	2/2010	Maehara	H01H 1/5805 200/294

* cited by examiner

Fig. 1

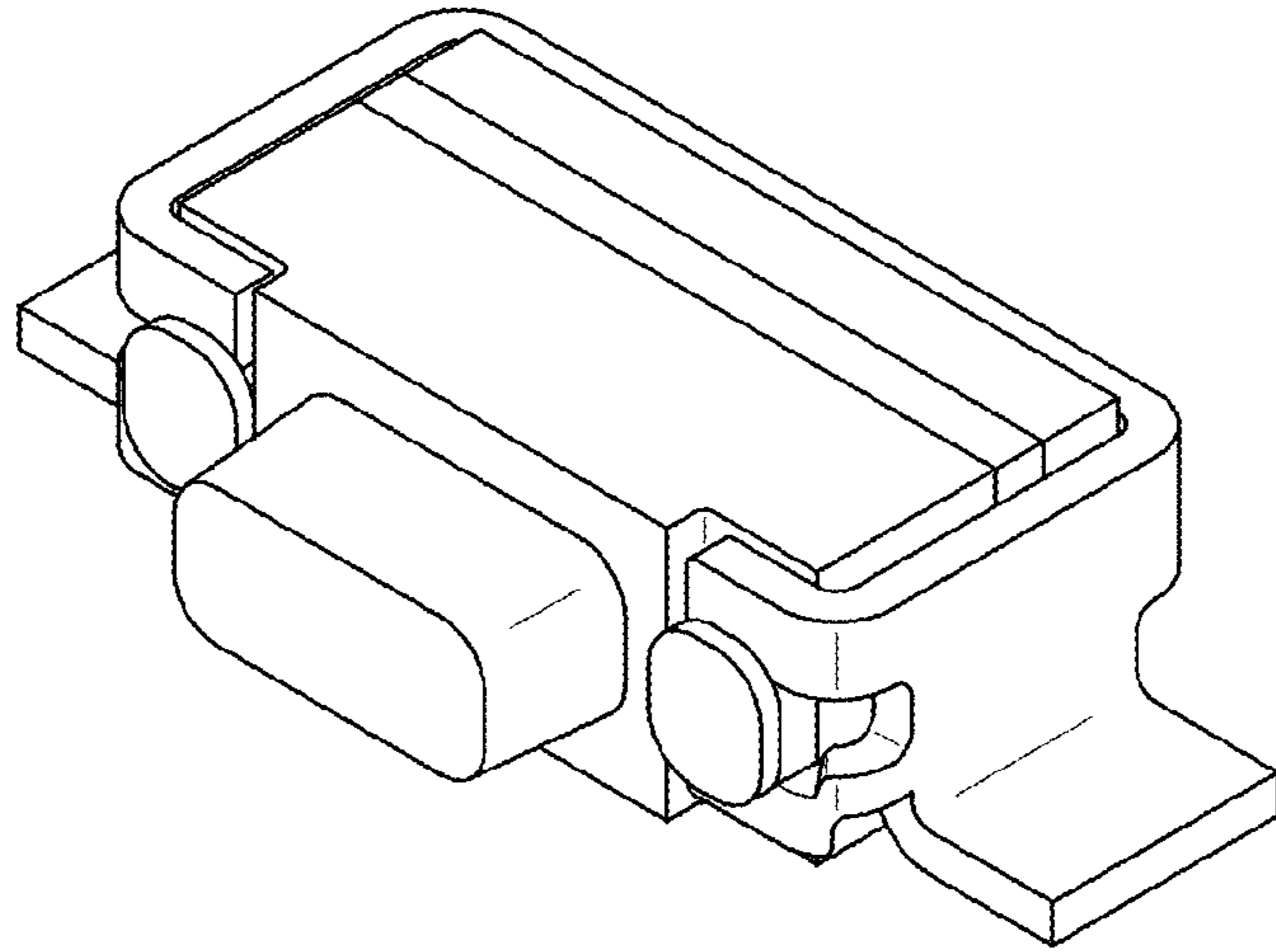


Fig. 2

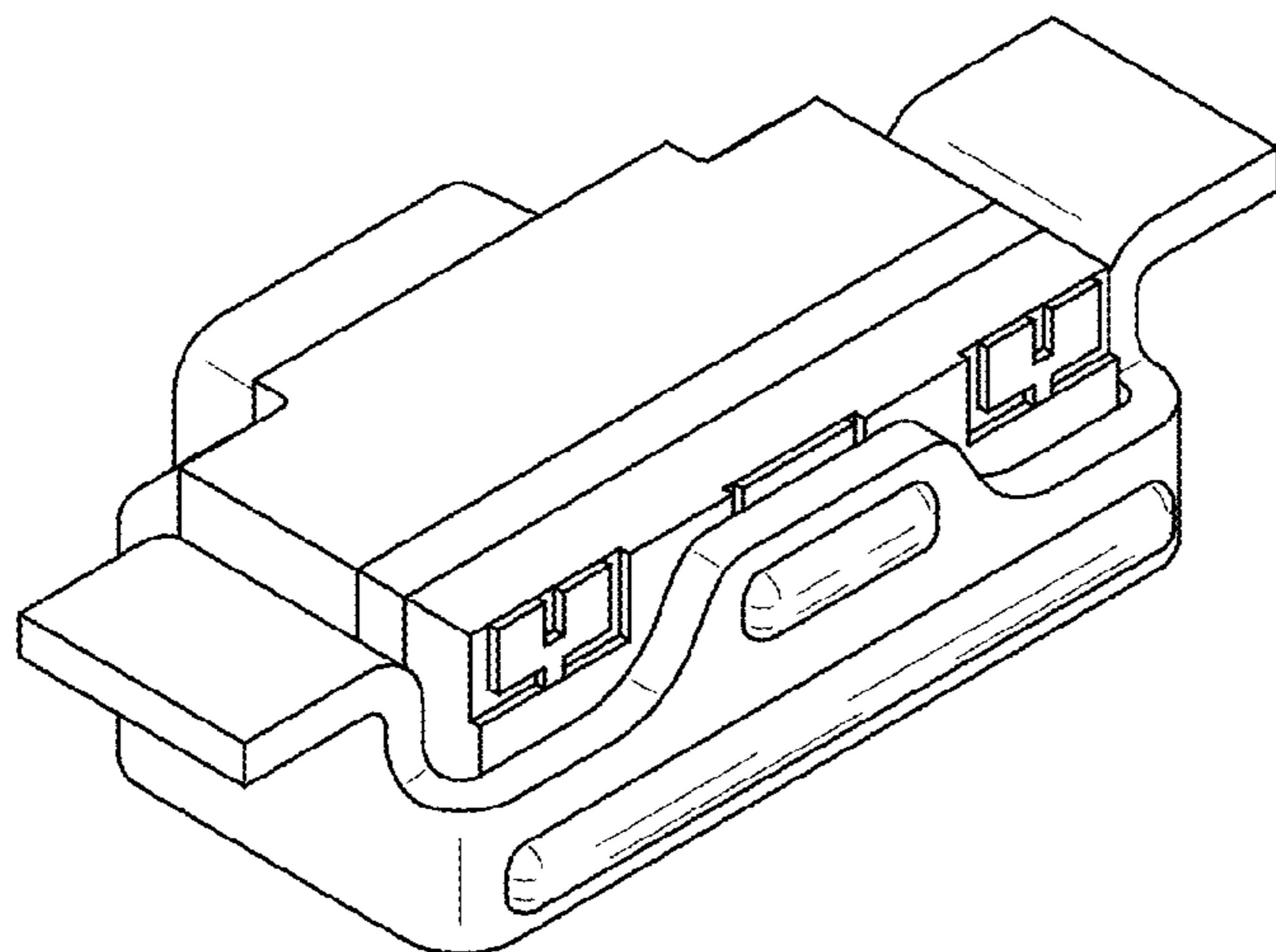


Fig. 3

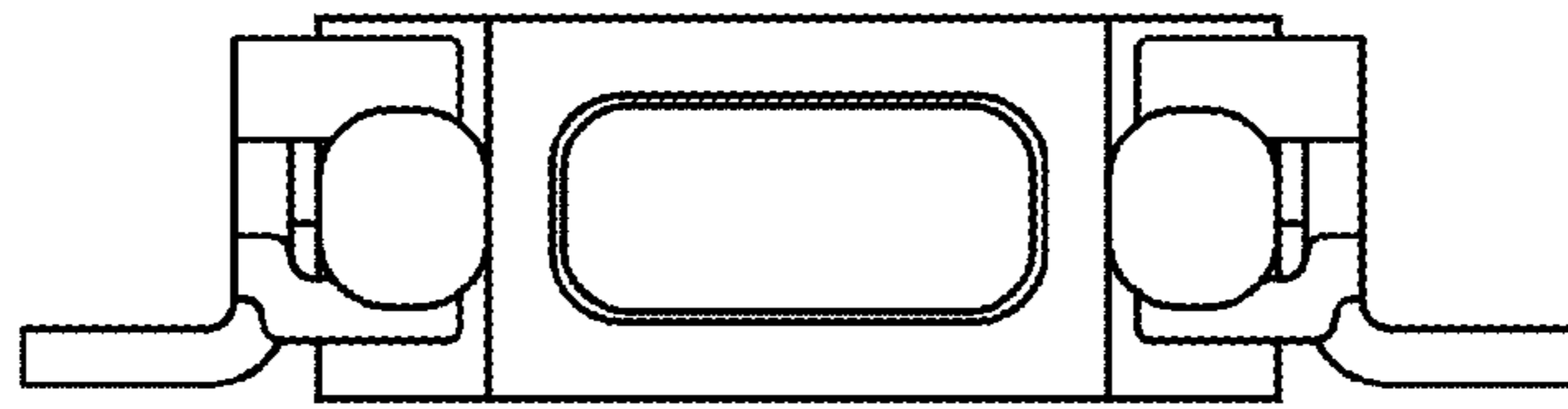


Fig. 4

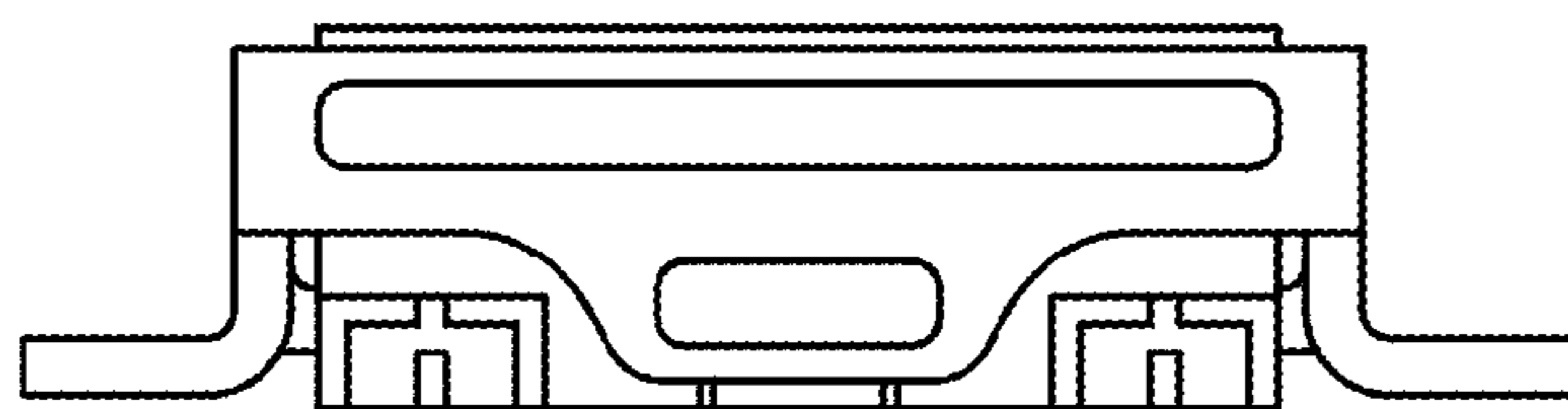


Fig. 5

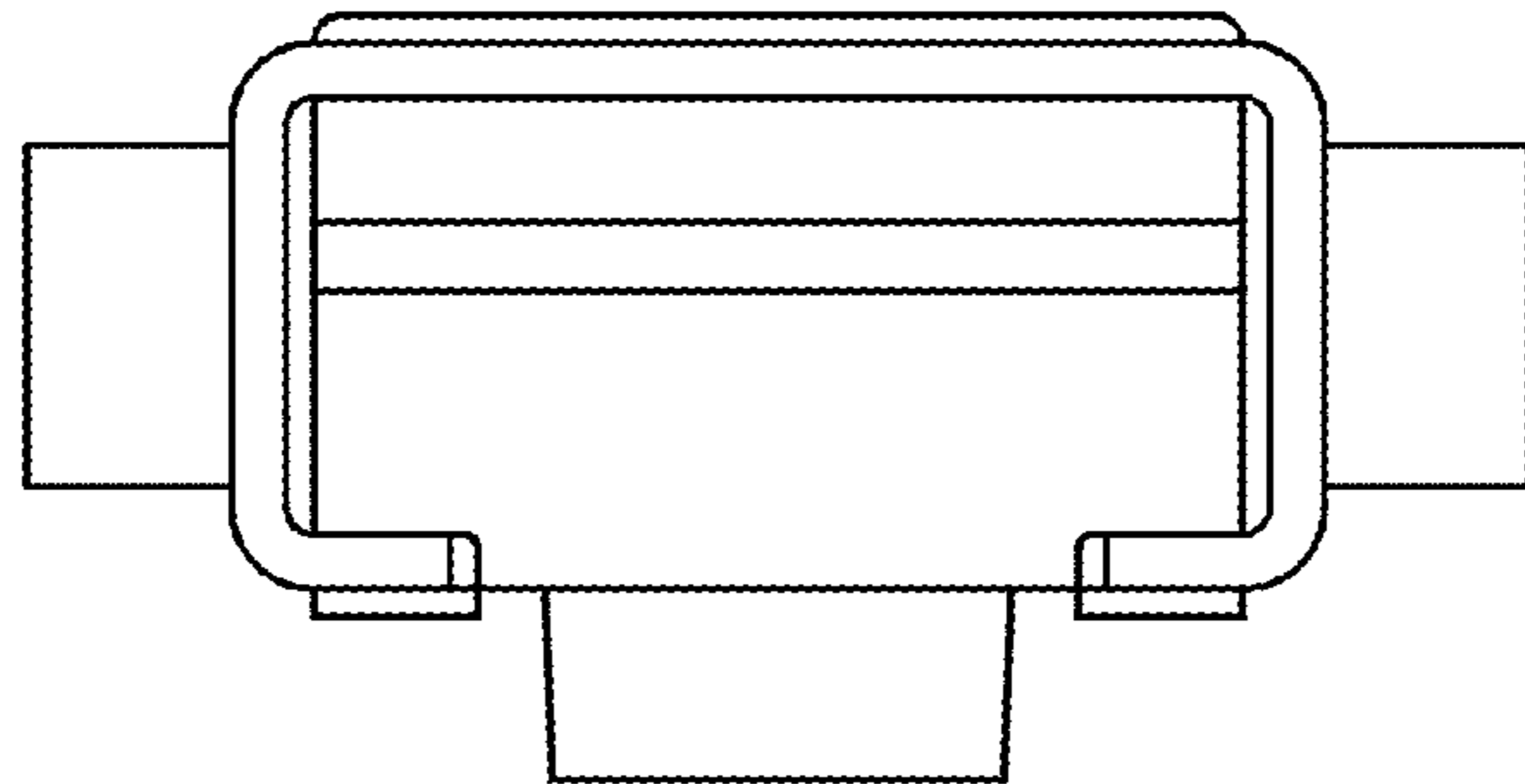


Fig. 6

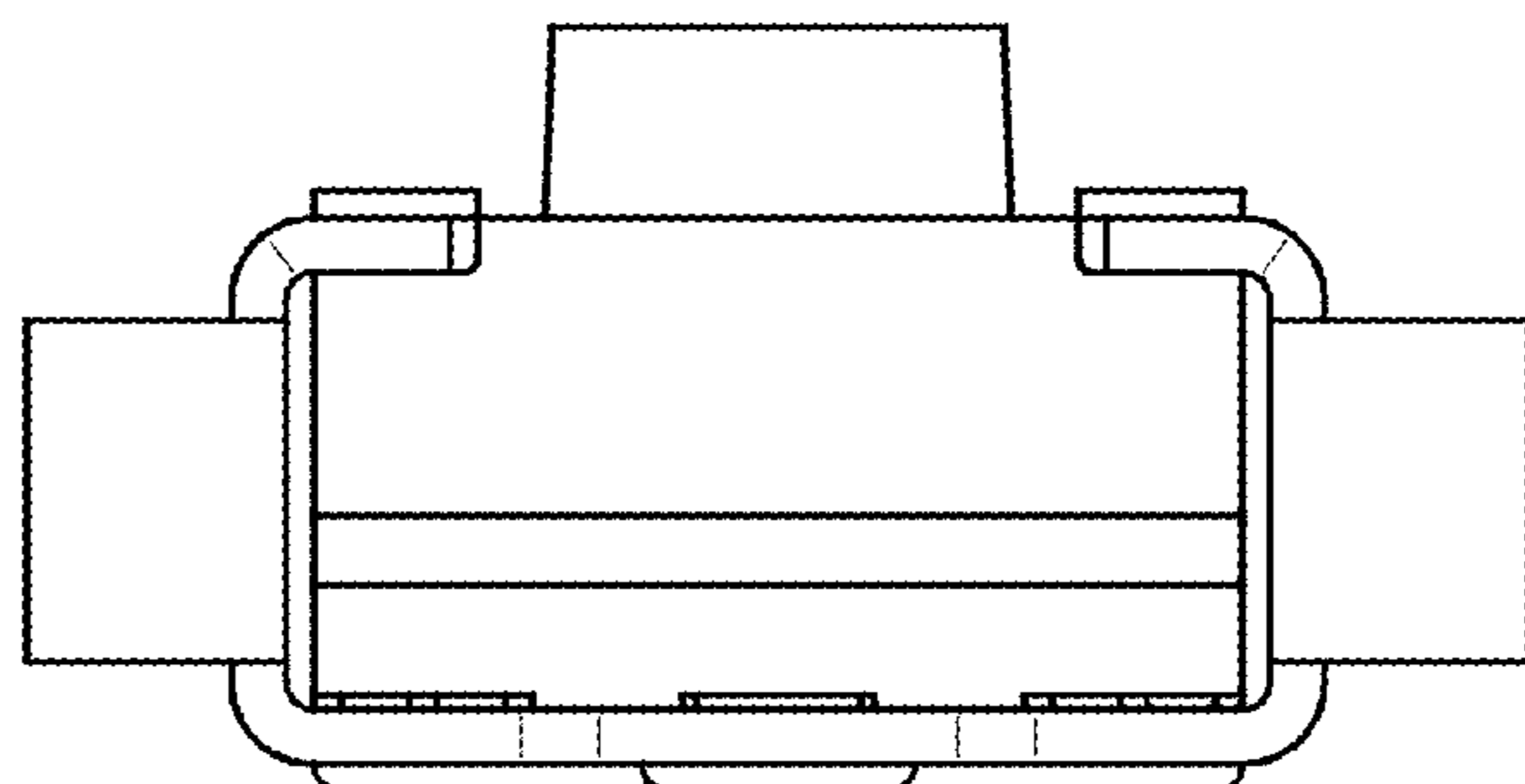


Fig. 7

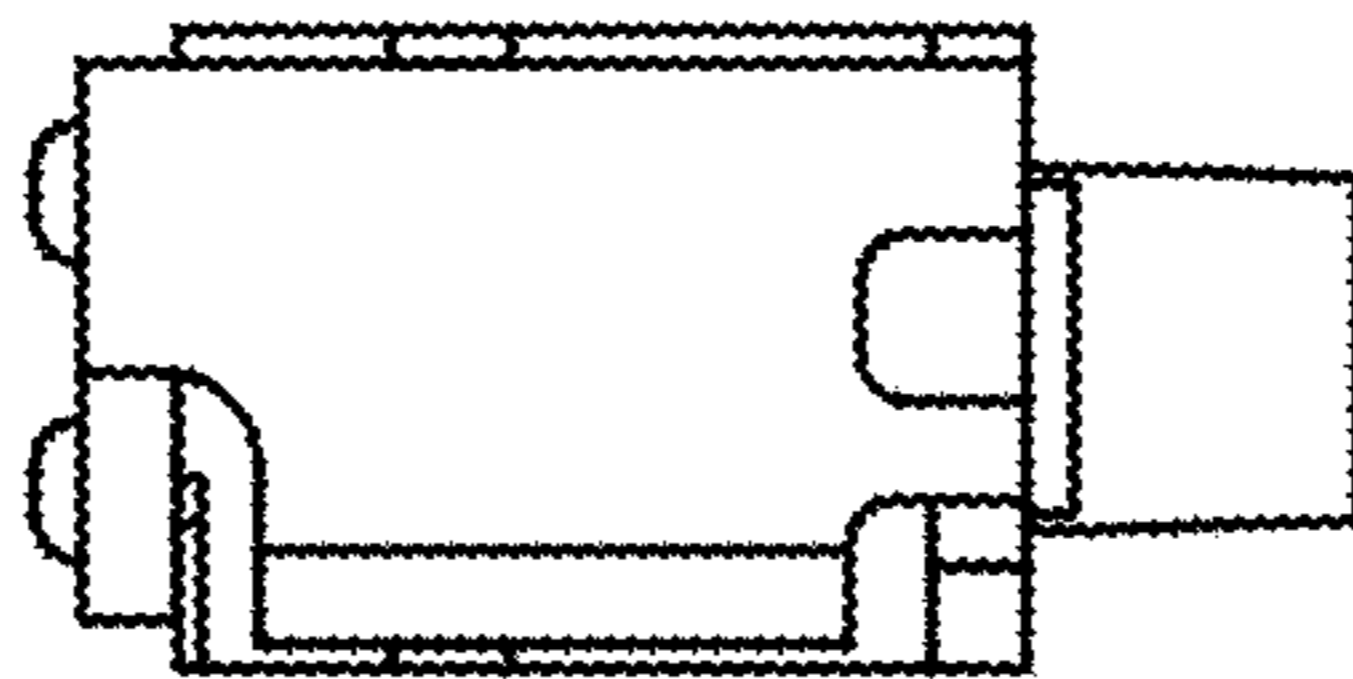


Fig. 8

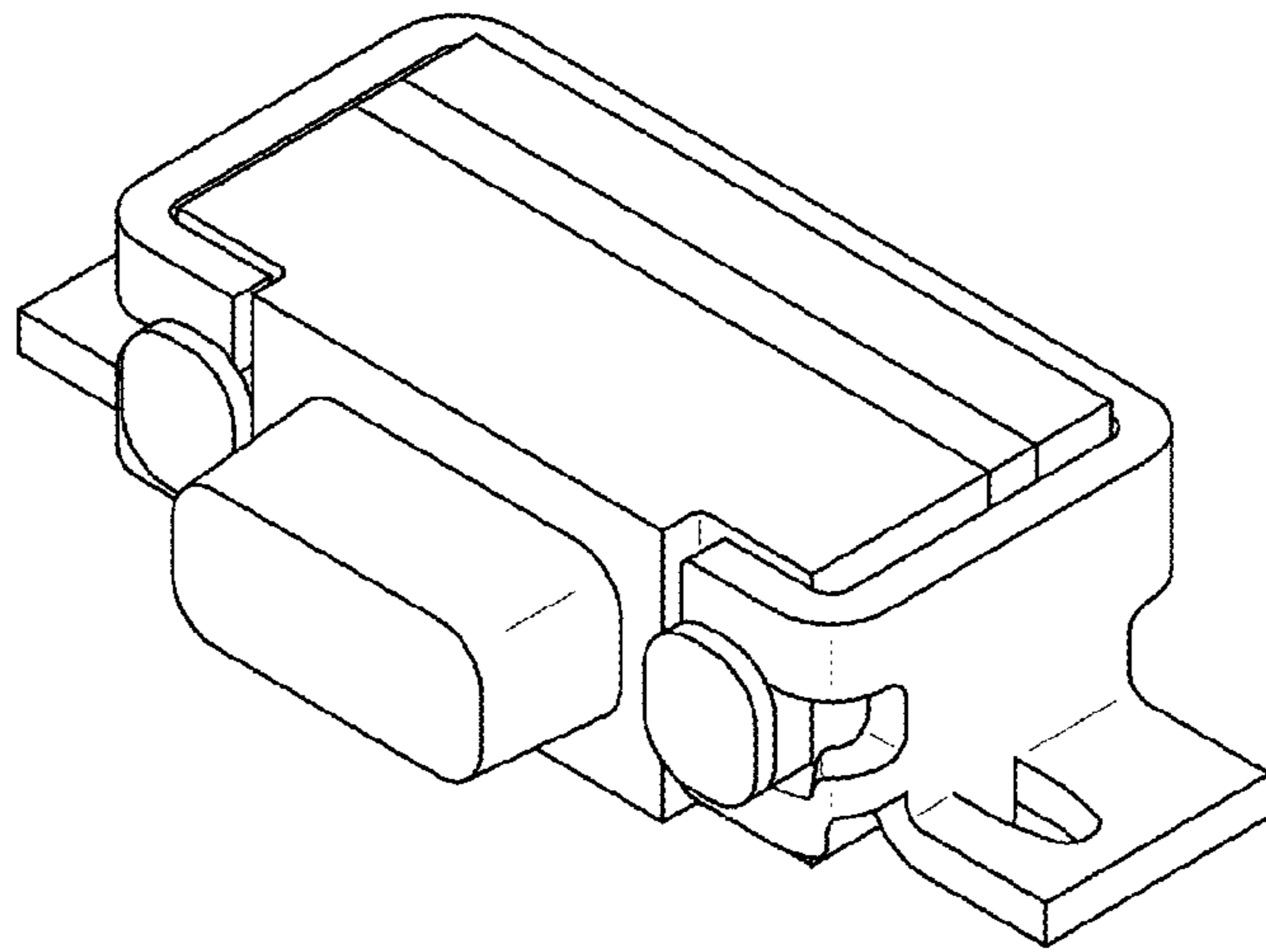


Fig. 9

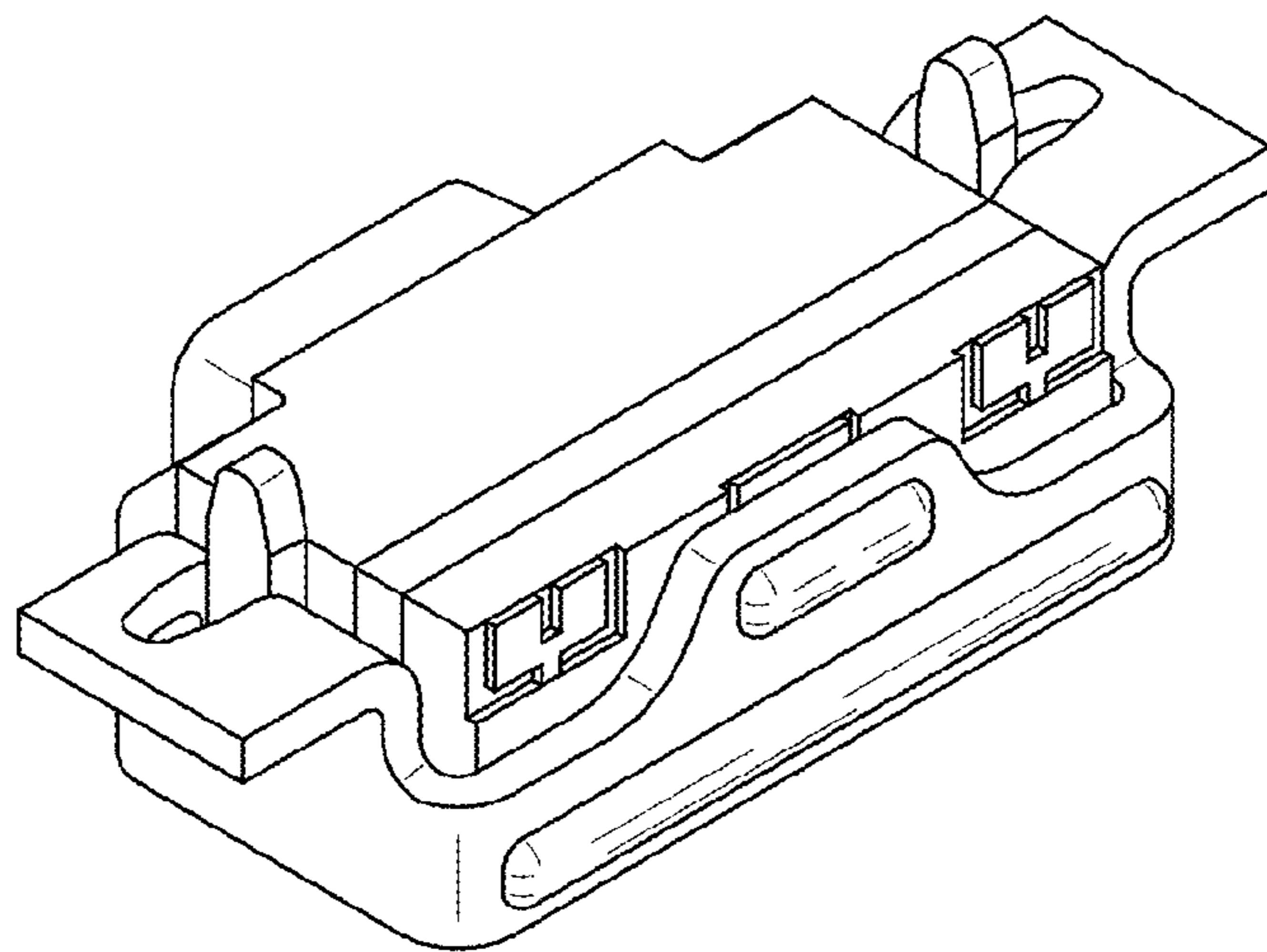


Fig. 10

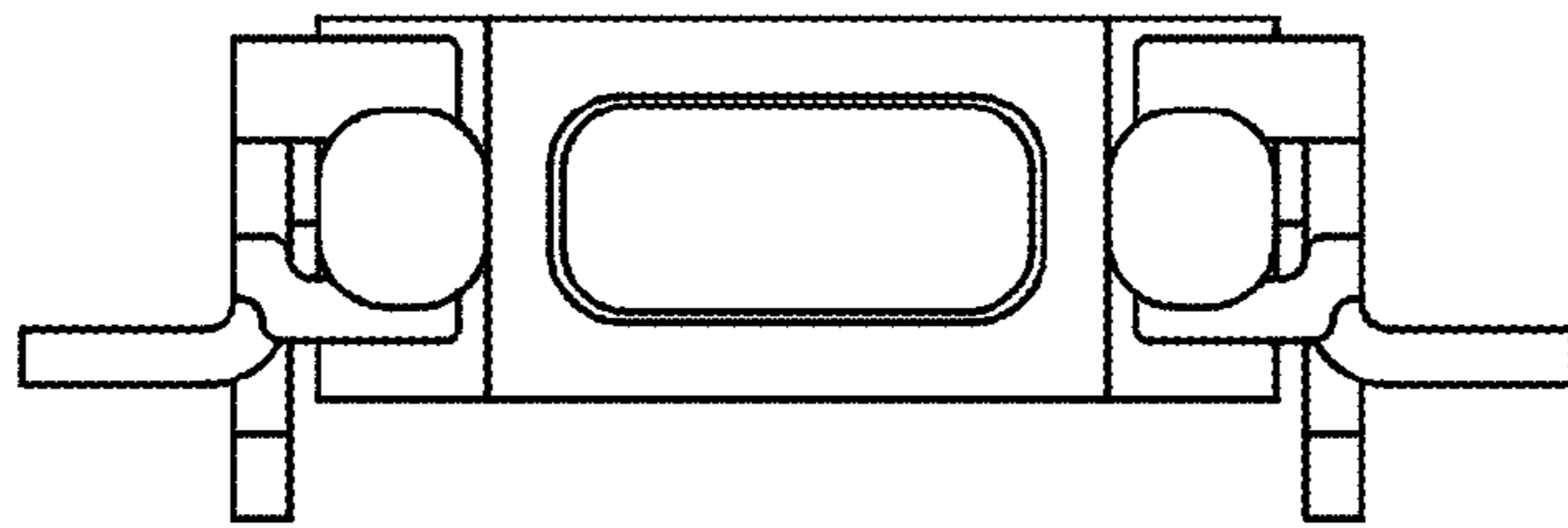


Fig. 11

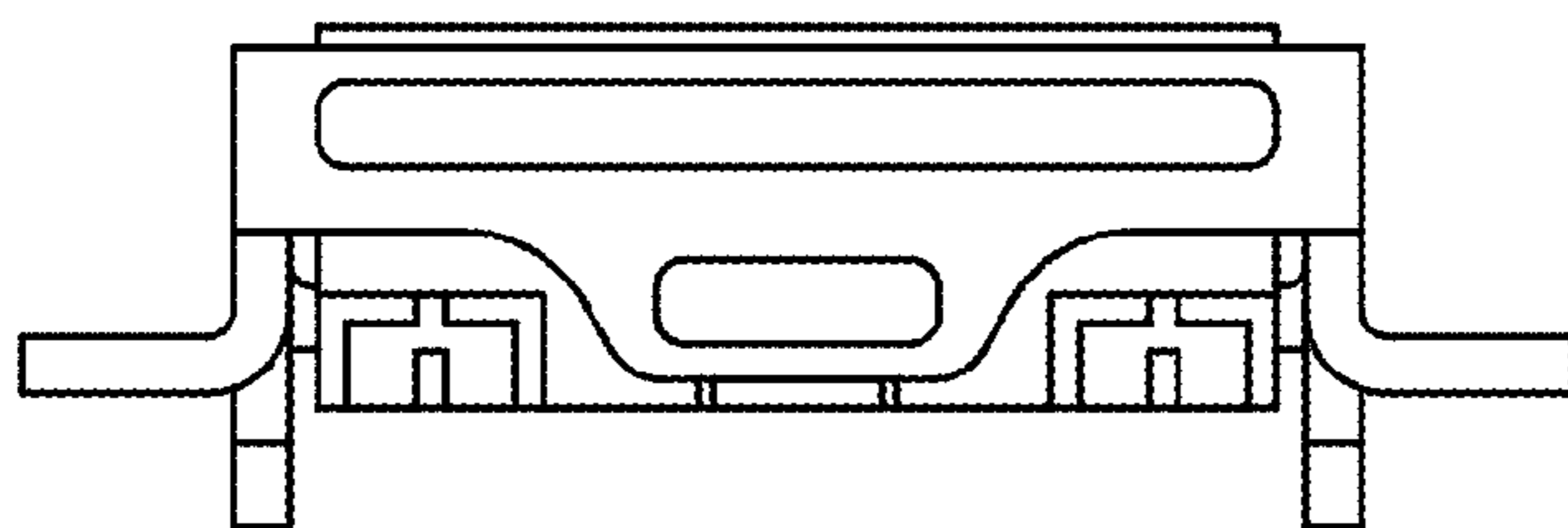


Fig. 12

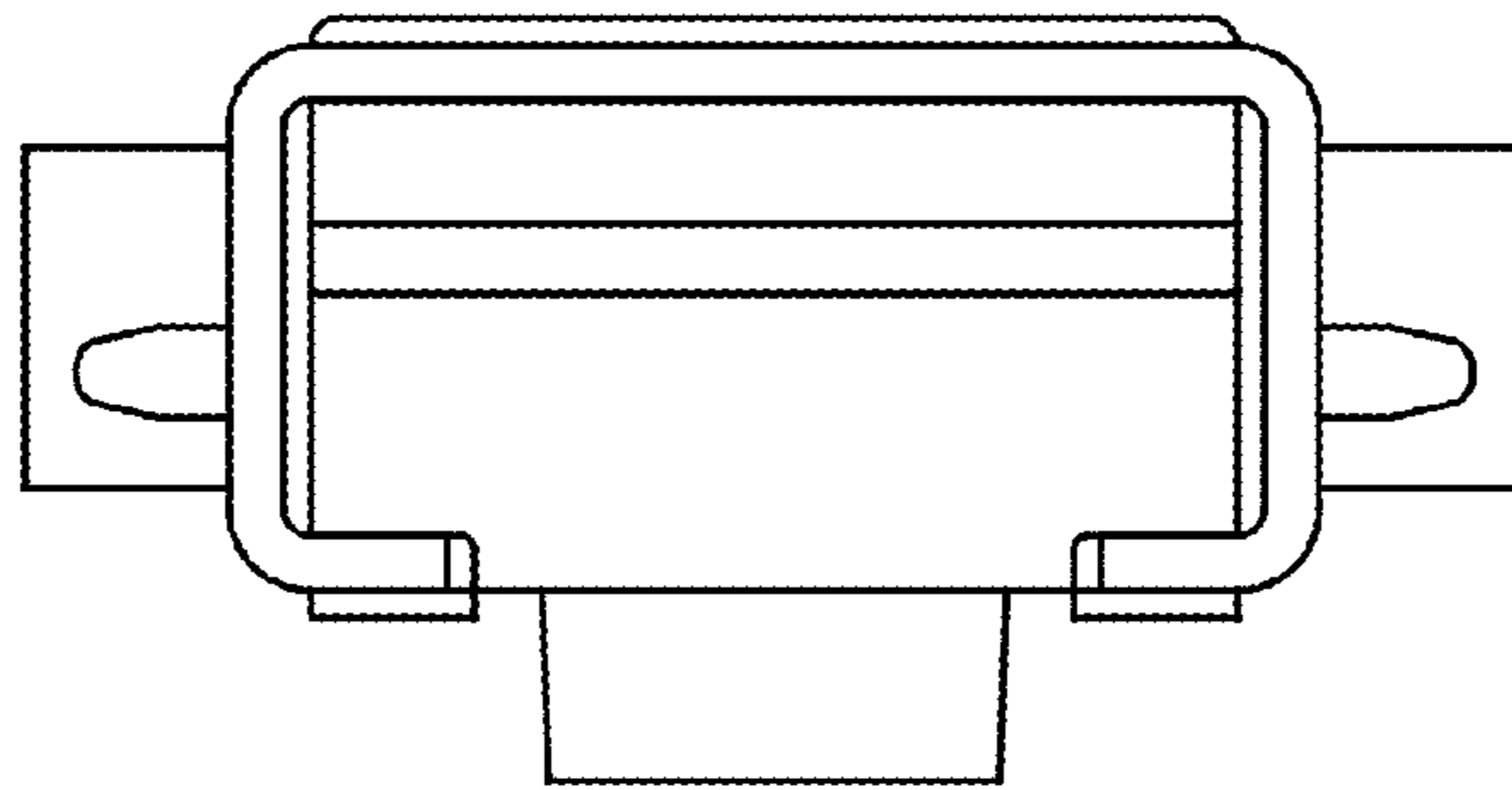


Fig. 13

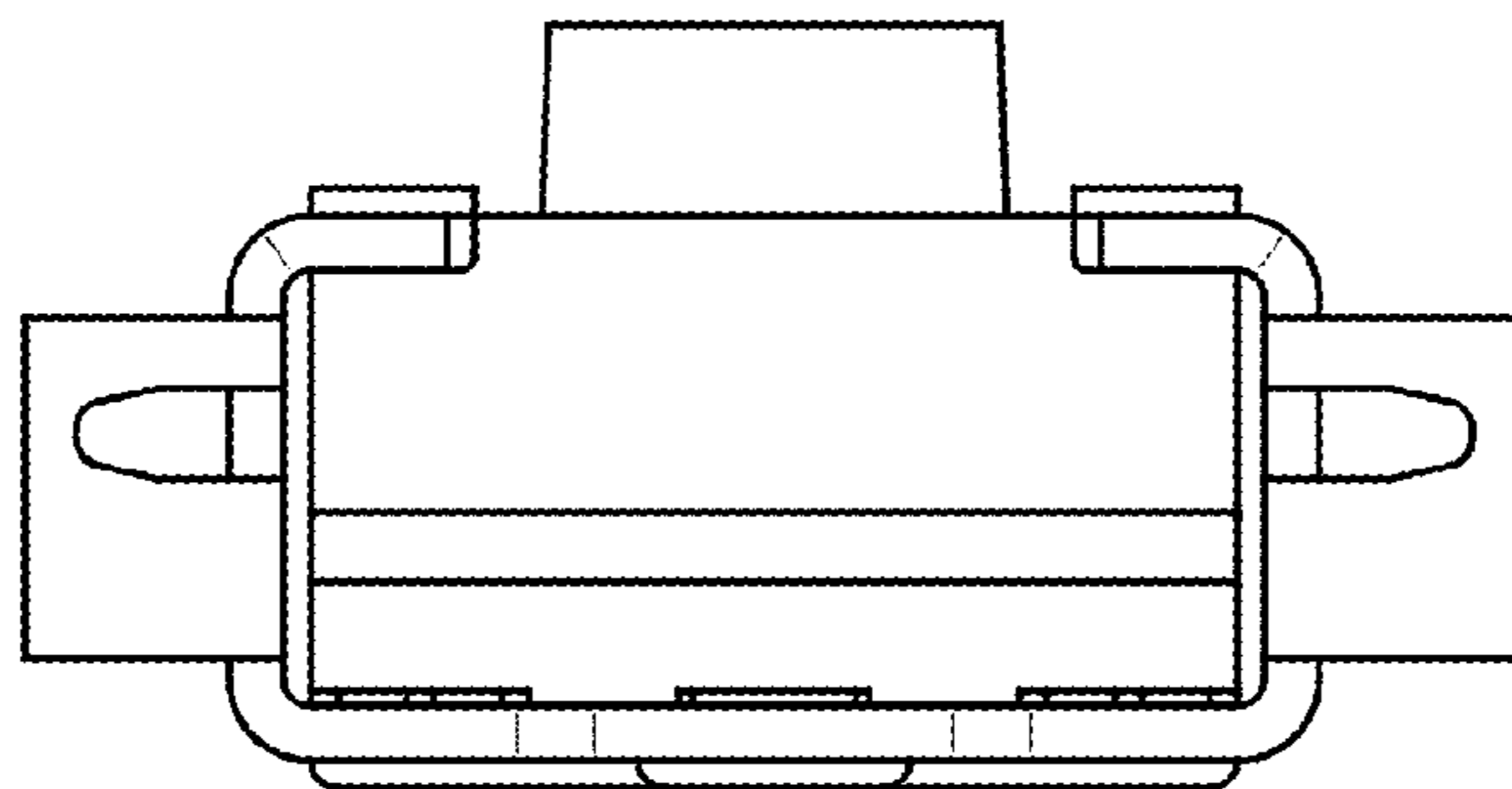


Fig. 14

