

US00D757659S

(12) **United States Design Patent**
Besana et al.

(10) **Patent No.:** **US D757,659 S**
(45) **Date of Patent:** **** May 31, 2016**

(54) **CIRCUIT BREAKERS**

(71) Applicant: **ABB S.p. A.**, Milan (IT)
(72) Inventors: **Stefano Besana**, Terno d'Isola (IT);
Lucio Azzola, Bergamo (IT)

(73) Assignee: **ABB S.p.A.**, Milan (IT)

(**) Term: **14 Years**

(21) Appl. No.: **29/489,919**

(22) Filed: **May 5, 2014**

Related U.S. Application Data

(62) Division of application No. 29/459,135, filed on Jun. 26, 2013, now Pat. No. Des. 707,636, which is a division of application No. 29/383,747, filed on Jan. 21, 2011, now Pat. No. Des. 687,387, which is a division of application No. 29/341,449, filed on Aug. 5, 2009, now Pat. No. Des. 633,446.

(30) **Foreign Application Priority Data**

Feb. 6, 2009 (EM) 001083992

(51) **LOC (10) Cl.** **13-03**

(52) **U.S. Cl.**
USPC **D13/160**

(58) **Field of Classification Search**
USPC D13/110, 112, 123, 133, 158-162, 173,
D13/184, 199
CPC H01H 3/22; H01H 9/02; H01H 9/54;
H01H 11/00; H01H 21/04; H01H 27/10;
H01H 33/38; H01H 71/00; H01H 71/02;
H01H 71/04; H01H 71/08; H01H 71/12;
H01H 71/24; H01F 17/04; H01R 25/00;
H01R 4/36

See application file for complete search history.

(56) **References Cited**

U.S. PATENT DOCUMENTS

4,728,757 A 3/1988 Buxton et al.
4,890,184 A * 12/1989 Russell H02H 3/24
335/20
D310,822 S 9/1990 Danek
D315,333 S 3/1991 Barbier et al.
D318,460 S 7/1991 Heath et al.
D318,461 S 7/1991 Hasegawa et al.
D319,627 S 9/1991 Smith et al.

(Continued)

FOREIGN PATENT DOCUMENTS

WO DM/055273 4/2001

OTHER PUBLICATIONS

ABB SACE L.V. SACE Emax. A System that's open to any solution, 604060/011 en, Jul. 1999.

(Continued)

Primary Examiner — Daniel Bui
Assistant Examiner — Shawn T Gingrich
(74) *Attorney, Agent, or Firm* — Polsinelli PC

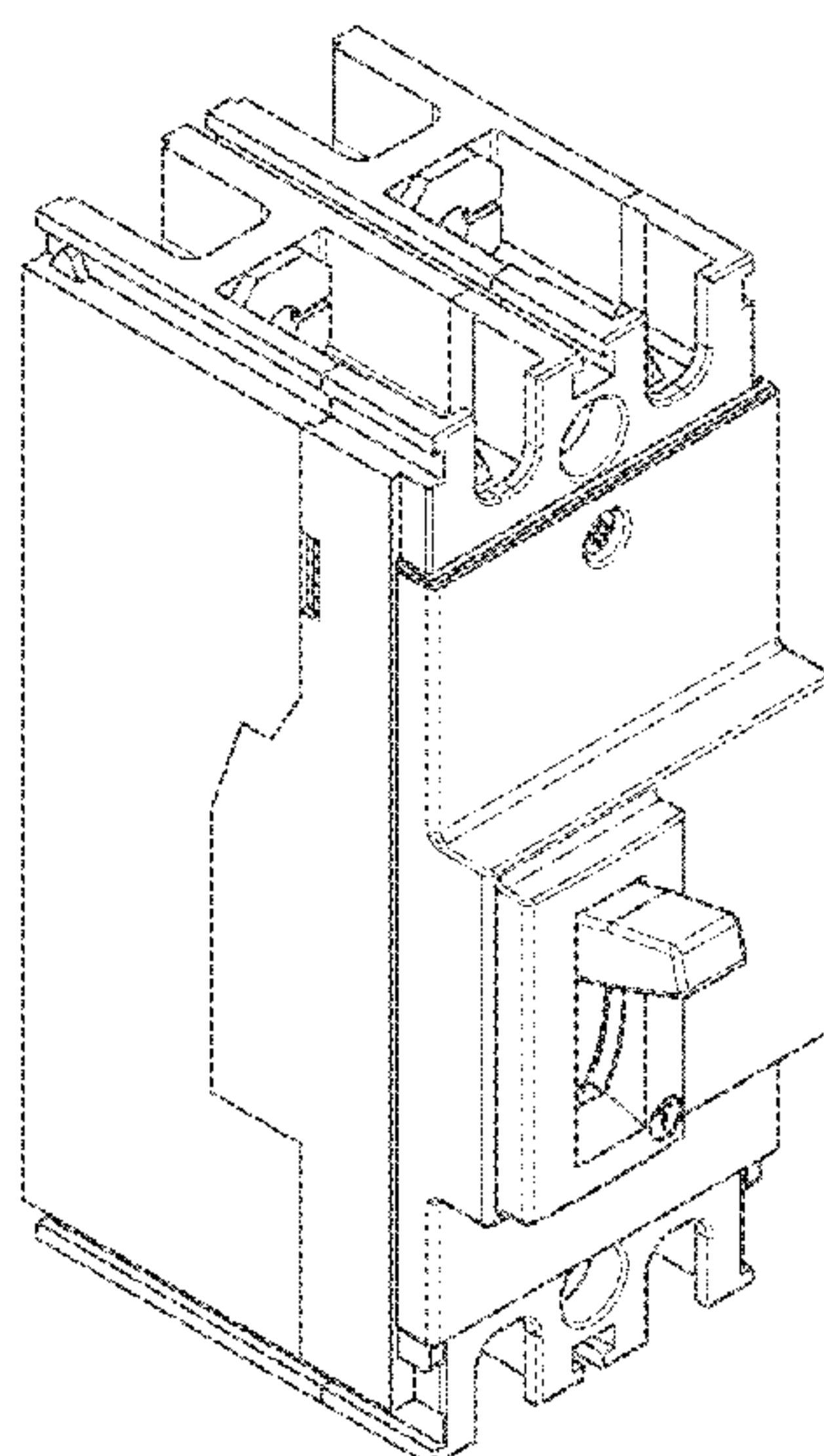
(57) **CLAIM**

The ornamental design for circuit breakers, as shown and described.

DESCRIPTION

FIG. 1 is a front perspective view circuit breakers showing the new design;
FIG. 2 is a front view thereof;
FIG. 3 is a rear view thereof;
FIG. 4 is a top view thereof;
FIG. 5 is a bottom view thereof;
FIG. 6 is a left view thereof; and,
FIG. 7 is a right view thereof.
The broken line portion of figure drawings is included to show portions of the article that forms no part of the claimed design.

1 Claim, 7 Drawing Sheets



(56)

References Cited

U.S. PATENT DOCUMENTS

D320,386 S *	10/1991	Saunders	D13/160	D593,506 S	6/2009	Azzola et al.	
D325,727 S	4/1992	Murata et al.		D599,301 S	9/2009	Azzola et al.	
D334,174 S	3/1993	Hosogai et al.		D611,002 S	3/2010	Azzola et al.	
5,204,798 A *	4/1993	Scott	H01H 71/0228 361/643	D616,832 S	6/2010	Corteel	
5,296,664 A	3/1994	Crookston et al.		D633,446 S *	3/2011	Besana	D13/160
5,302,786 A	4/1994	Rosen et al.		D641,710 S *	7/2011	Azzola	D13/160
5,362,933 A	11/1994	Kutsche et al.		D660,805 S	5/2012	Azzola et al.	
D359,948 S	7/1995	Merlin		D687,387 S	8/2013	Besana et al.	
D367,265 S *	2/1996	Yamagata	D13/160	D707,636 S *	6/2014	Besana	D13/160
5,587,570 A	12/1996	Kelaita, Jr. et al.		D735,143 S *	7/2015	Huhne	D13/158
5,610,375 A	3/1997	Sinthomez		2001/0022713 A1	9/2001	Gimenez et al.	
D378,914 S	4/1997	Smith et al.		2001/0025773 A1	10/2001	Rane et al.	
5,717,178 A	2/1998	Turner et al.		2004/0045796 A1	3/2004	Azzola et al.	
D402,267 S	12/1998	M'Sadoques		2005/0109597 A1	5/2005	Etscheidt et al.	
5,902,973 A	5/1999	Ramey et al.		2005/0219021 A1 *	10/2005	Fleege	H01H 9/342 335/201
6,008,459 A	12/1999	Faber et al.		2006/0071750 A1 *	4/2006	Marks	H01H 71/0207 336/172
6,078,017 A	6/2000	Blessitt et al.		2006/0118397 A1	6/2006	Dahl et al.	
6,177,641 B1	1/2001	Morel et al.		2008/0246566 A1 *	10/2008	Oh	H01H 71/08 335/197
D442,146 S	5/2001	Greenberg et al.		2009/0002106 A1 *	1/2009	Harmon	H01H 9/342 335/202
6,361,848 B1	3/2002	Katsube et al.		2009/0239399 A1 *	9/2009	Azzola	H01H 73/08 439/119
6,388,867 B1	5/2002	Rakus et al.		2013/0220784 A1 *	8/2013	Castaneda Arriaga	H01H 71/025 200/293
6,445,559 B1	9/2002	Phillips et al.		2013/0284702 A1 *	10/2013	Hamada	H01H 9/302 218/26
6,489,577 B2	12/2002	Kurata		2014/0151201 A1 *	6/2014	Sisley	H01H 9/0264 200/293
6,512,433 B1	1/2003	Bouchard et al.		2015/0109091 A1 *	4/2015	Oh	H01H 71/7409 337/351
6,590,482 B2	7/2003	Castonguay et al.		2015/0129400 A1 *	5/2015	Oh	H01H 3/22 200/293
D498,212 S *	11/2004	Kim	D13/160	2015/0262778 A1 *	9/2015	Sohn	H01H 71/04 361/102
D498,464 S	11/2004	Kim					
D499,700 S	12/2004	Raabe et al.					
D499,701 S	12/2004	Kim					
D506,185 S	6/2005	Kim					
D511,502 S	11/2005	Kim					
7,064,283 B2	6/2006	Deylitz et al.					
D535,626 S	1/2007	Azzola et al.					
D547,729 S	7/2007	Azzola et al.					
D547,730 S	7/2007	Azzola et al.					
D551,629 S	9/2007	Azzola et al.					
D562,777 S	2/2008	Azzola et al.					
D576,111 S	9/2008	Azzola et al.					
D585,839 S	2/2009	Azzola et al.					
D587,658 S	3/2009	Azzola et al.					

OTHER PUBLICATIONS

Terasaki Electric, Revolutino in circuit breaker technology, 35 pp. (date unknown).

* cited by examiner

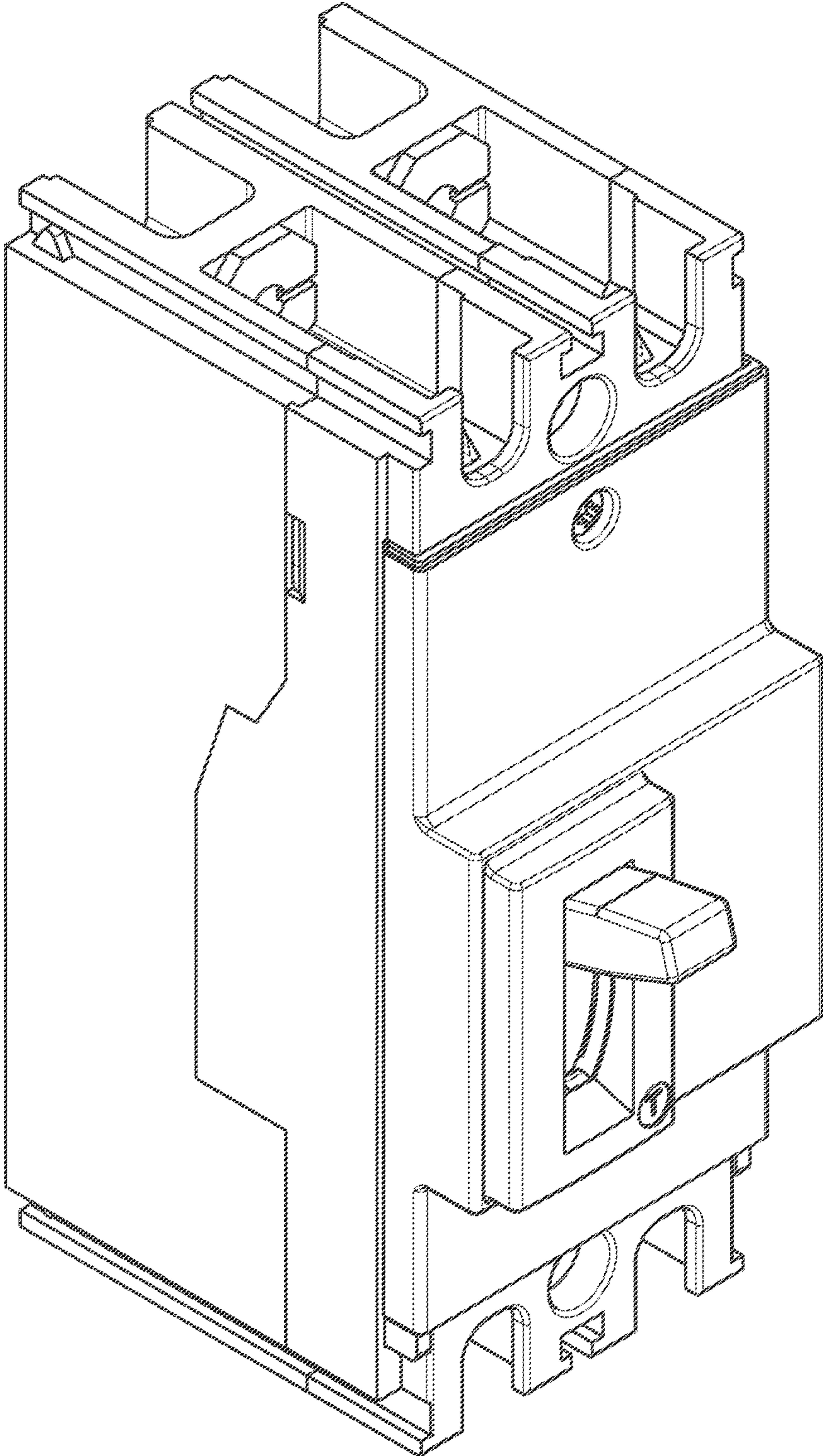


Fig. 1

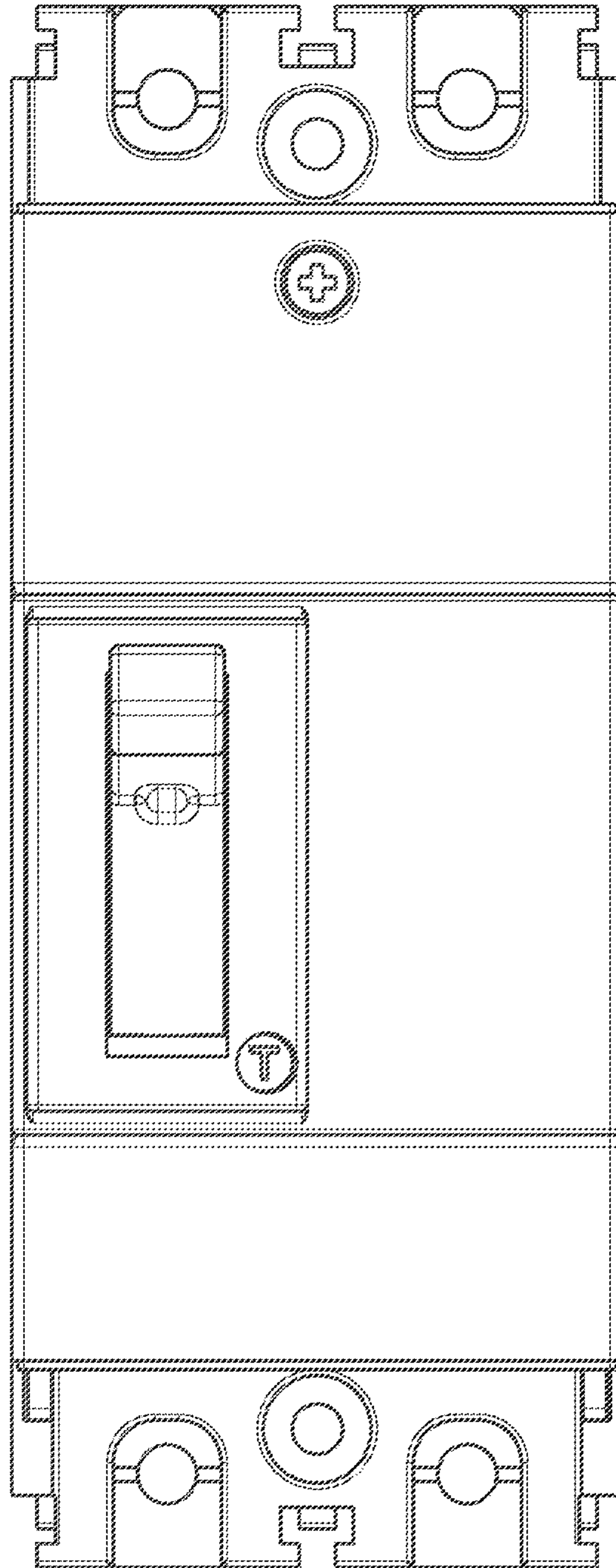


Fig. 2

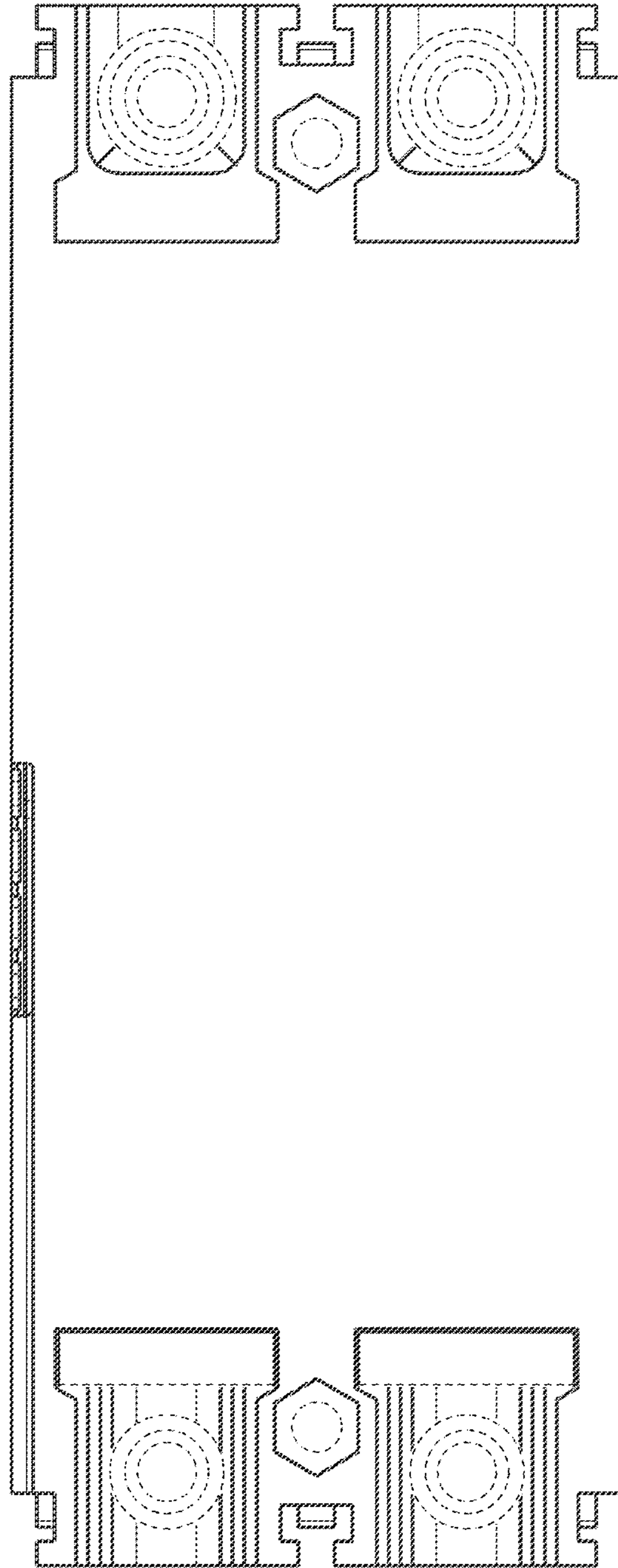


Fig. 3

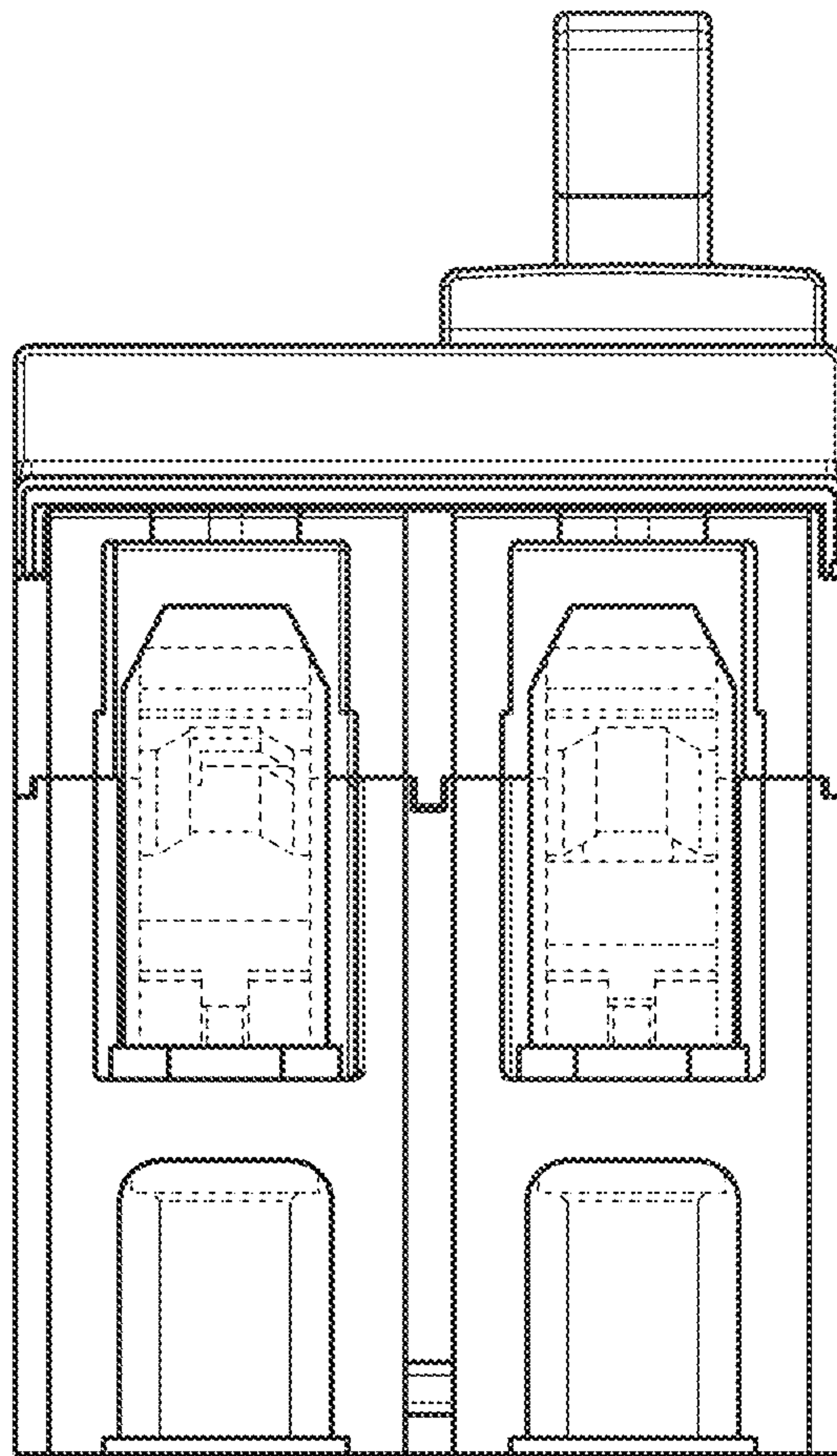


Fig. 4

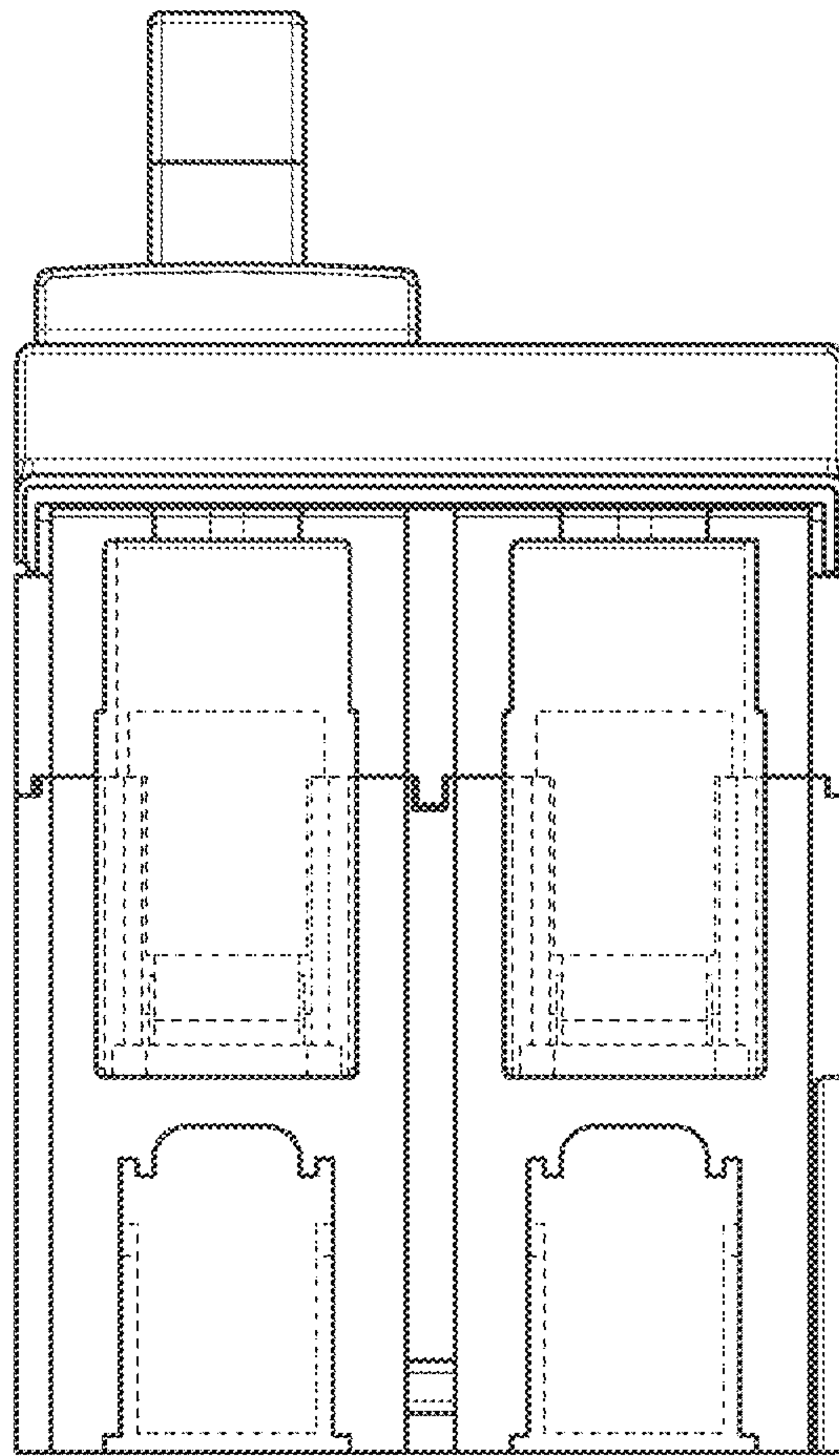


Fig. 5

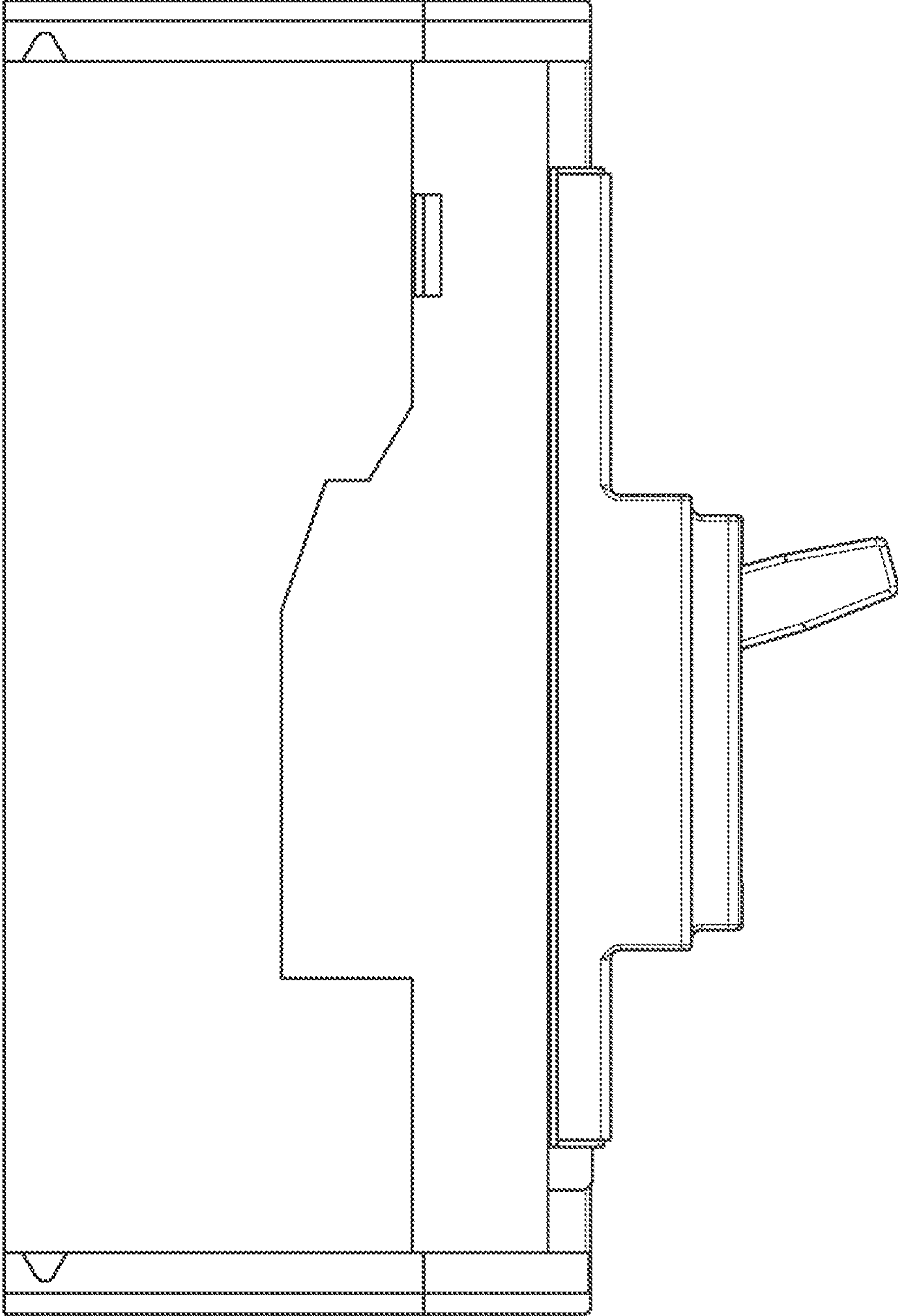


Fig. 6

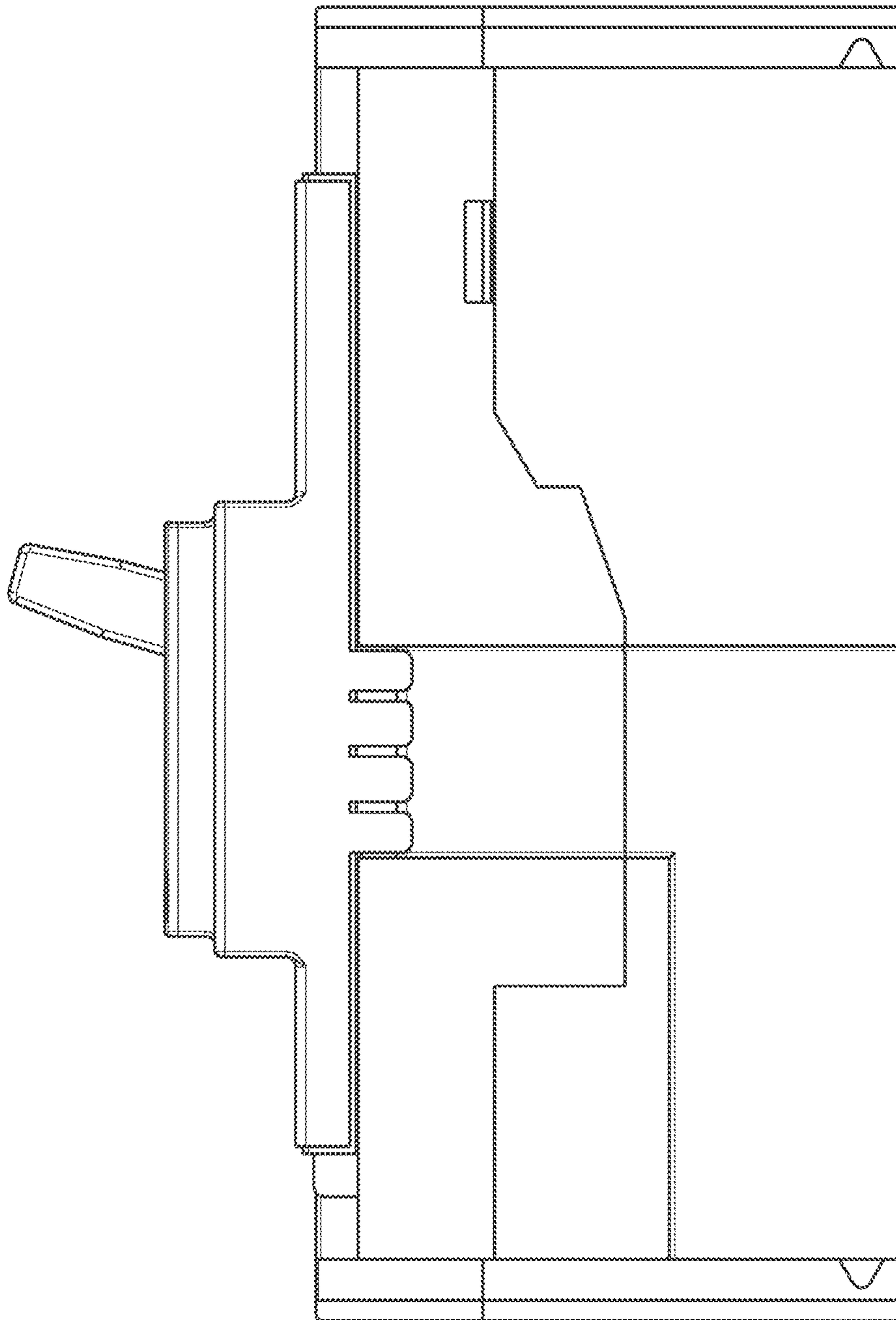


Fig. 7