

US00D757658S

(12) **United States Design Patent**
Williams

(10) **Patent No.:** **US D757,658 S**

(45) **Date of Patent:** **** *May 31, 2016**

- (54) **CORD MANAGEMENT SYSTEM**
- (71) Applicant: **Othell Williams**, Jacksonville, AR (US)
- (72) Inventor: **Othell T. Williams**, Jacksonville, AR (US)
- (*) Notice: This patent is subject to a terminal disclaimer.
- (**) Term: **14 Years**
- (21) Appl. No.: **29/494,121**
- (22) Filed: **Jun. 17, 2014**
- (51) **LOC (10) Cl.** **13-03**
- (52) **U.S. Cl.**
USPC **D13/155**
- (58) **Field of Classification Search**
USPC D13/155, 153, 154, 156, 157, 184, 199;
D8/349, 354, 356, 394; 174/68.1, 68.2,
174/68.3; 248/49, 53, 60; 361/827;
385/134, 135; 439/207, 210, 445, 446,
439/447; 16/88
CPC H02G 3/045; H02G 3/0487; H02G 3/26;
H02G 5/06; E05D 15/0643
See application file for complete search history.

6,354,545	B1 *	3/2002	Liao	248/214
D568,254	S *	5/2008	Patchett et al.	D13/155
D633,902	S *	3/2011	Tokuno	D14/244
D663,274	S *	7/2012	Gretz	D13/155
D669,863	S *	10/2012	Nurmi et al.	D13/155
D681,420	S *	5/2013	Ileuov et al.	D8/354
D696,673	S *	12/2013	Vogel	D14/447
D723,573	S *	3/2015	Padro	D14/447
D725,601	S *	3/2015	Anderson	D13/155
D729,177	S *	5/2015	Baldwin et al.	D13/155
D729,746	S *	5/2015	Millevik	D13/155
2010/0123048	A1 *	5/2010	Pollard, Jr.	248/49
2010/0243294	A1 *	9/2010	Ayme et al.	174/153 R
2011/0315829	A1 *	12/2011	Darnell	248/67.5
2014/0239131	A1 *	8/2014	Sylvester et al.	248/68.1

* cited by examiner

Primary Examiner — Derrick Holland
Assistant Examiner — Jennifer O King
(74) *Attorney, Agent, or Firm* — Joe D. Calhoun

(57) **CLAIM**
I claim the ornamental design for a cord management system, as shown and described.

DESCRIPTION

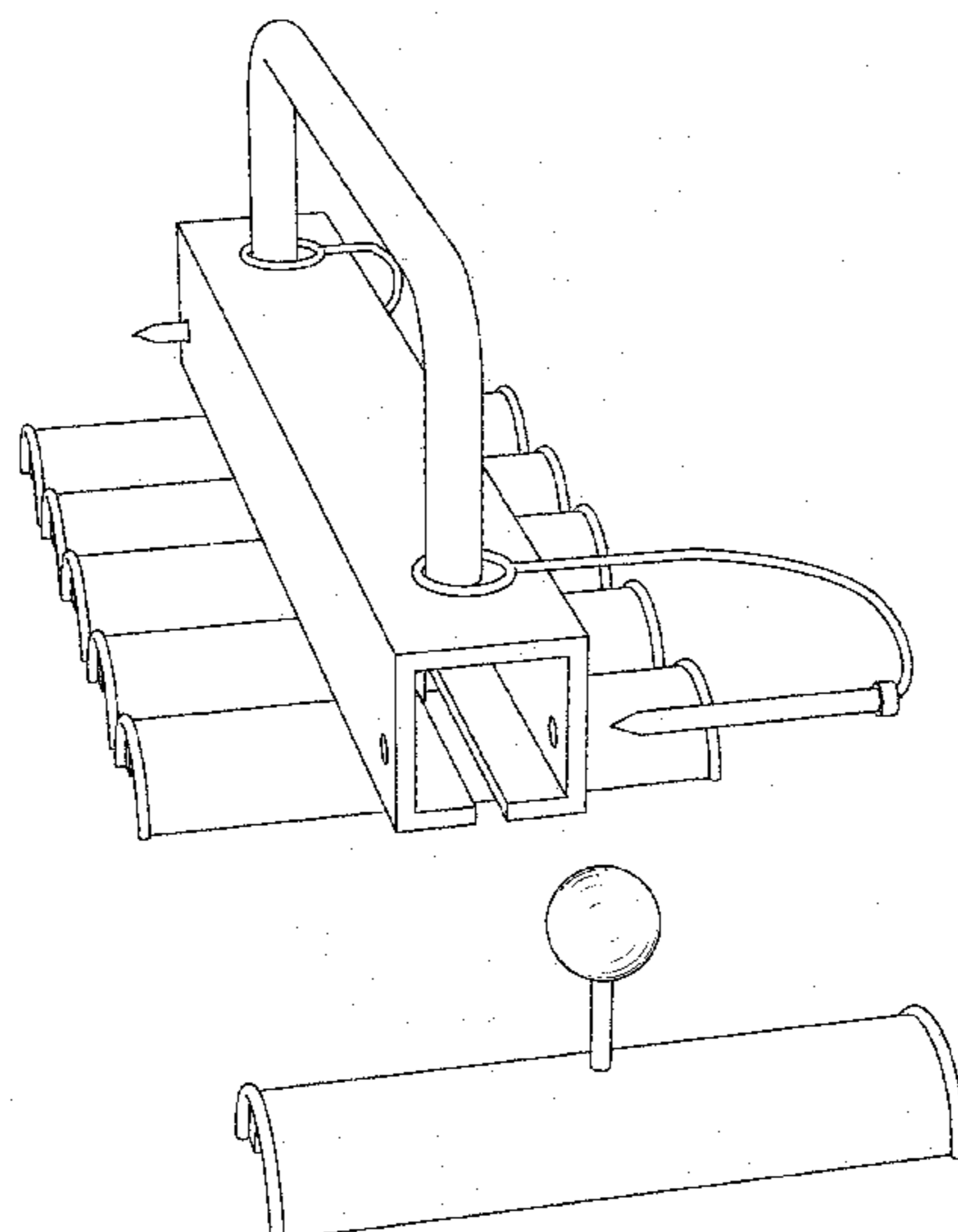
FIG. 1 is a perspective view of a cord management system, with one of the holders and one of the stop members shown separated from the housing portion for clarity.
FIG. 2 is another perspective view thereof.
FIG. 3 is a top plan view thereof.
FIG. 4 is a bottom plan view thereof.
FIG. 5 is a left side elevation view thereof, with the right side elevation view being a mirror image of the left side elevation view.
FIG. 6 is a front elevation view thereof.
FIG. 7 is another perspective view thereof, with the housing portion removed for clarity; and,
FIG. 8 is a rear elevation view thereof.
The broken lines shown represent unclaimed subject matter and form no part of the claimed design.

1 Claim, 5 Drawing Sheets

(56) **References Cited**

U.S. PATENT DOCUMENTS

589,703	A *	9/1897	Cushing	16/88
1,003,274	A *	9/1911	Knight	16/88
D155,179	S *	9/1949	Panish	D12/179
3,211,828	A *	10/1965	Cloud, Jr.	174/72 A
3,391,432	A *	7/1968	Durocher	403/188
3,672,614	A *	6/1972	Guerry	248/68.1
4,024,604	A *	5/1977	Klimek et al.	24/16 R
4,775,121	A *	10/1988	Carty	248/68.1
5,131,870	A *	7/1992	El-Haj	439/668
5,240,209	A *	8/1993	Kutsch	248/49
5,639,048	A *	6/1997	Bartholomew et al.	248/49
D448,650	S *	10/2001	Vrame	D8/356



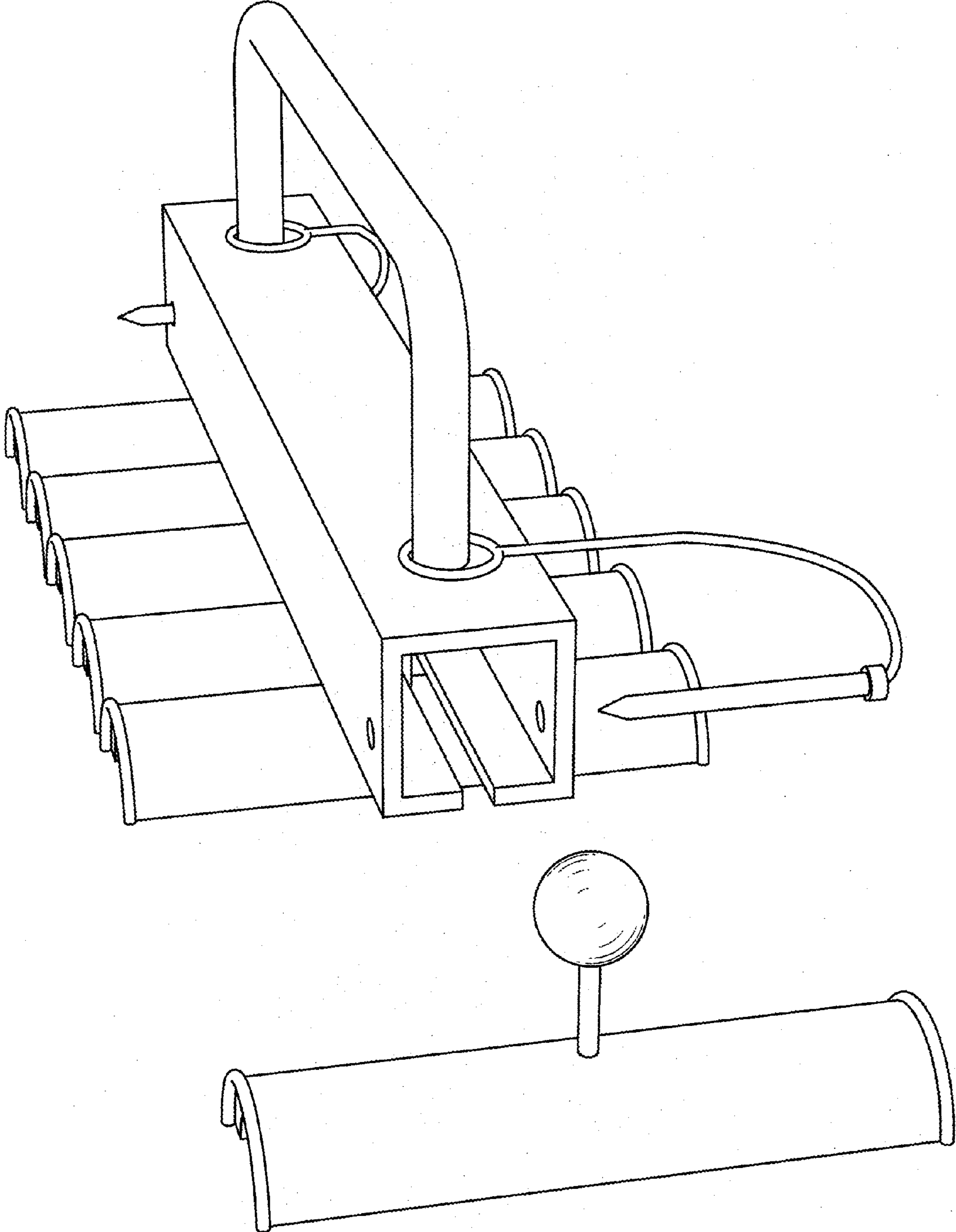


FIG. 1

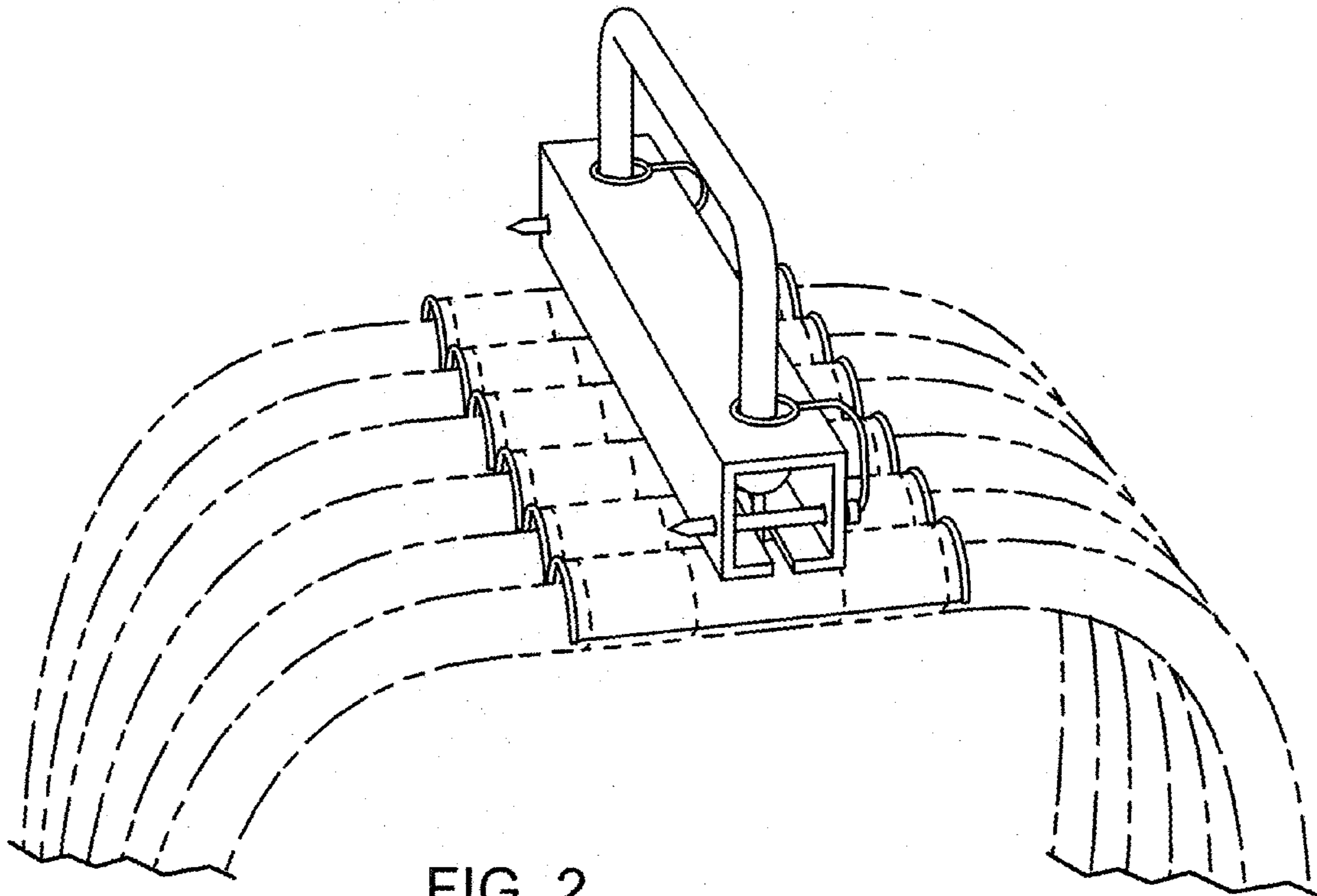


FIG. 2

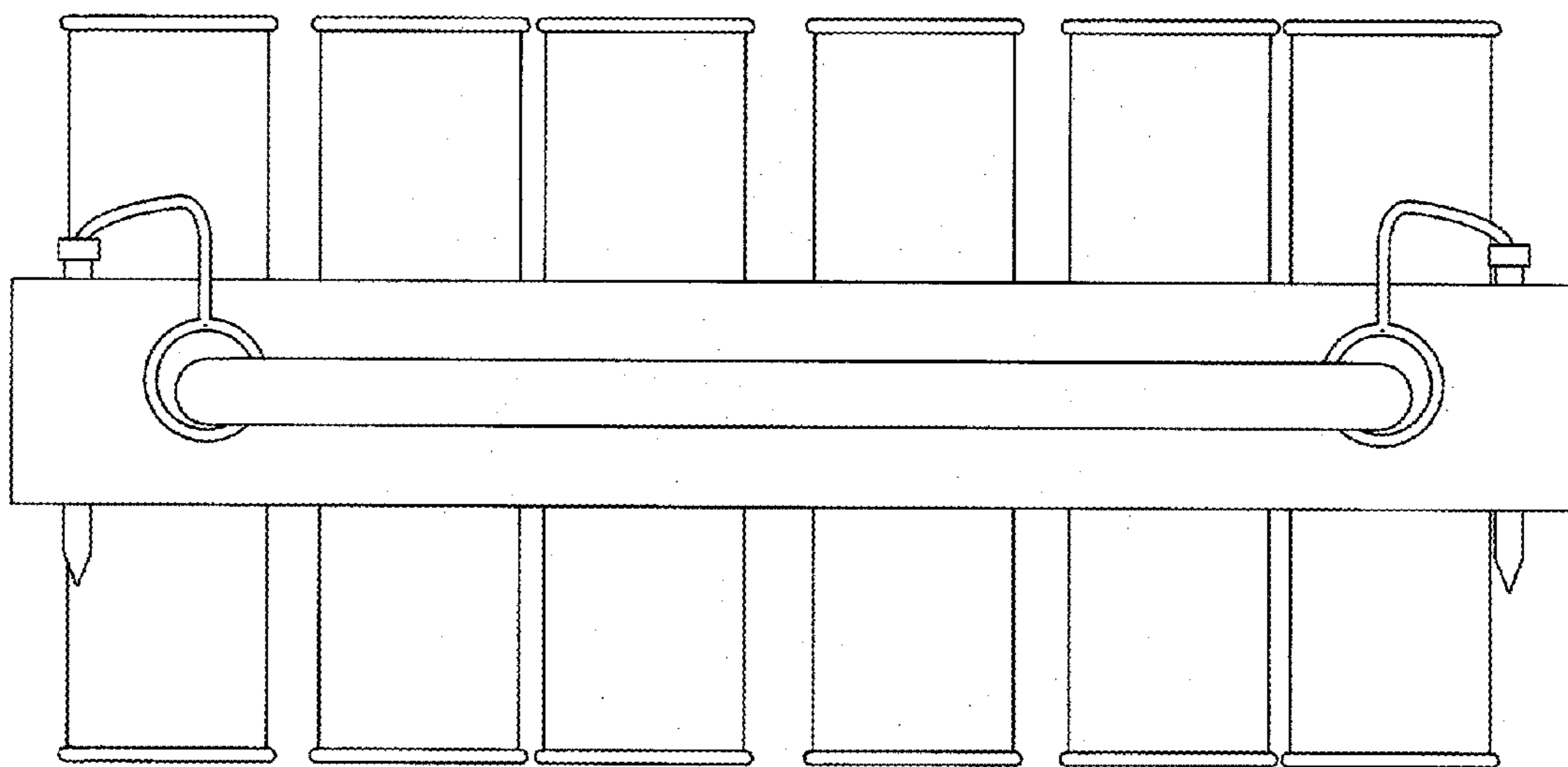


FIG. 3

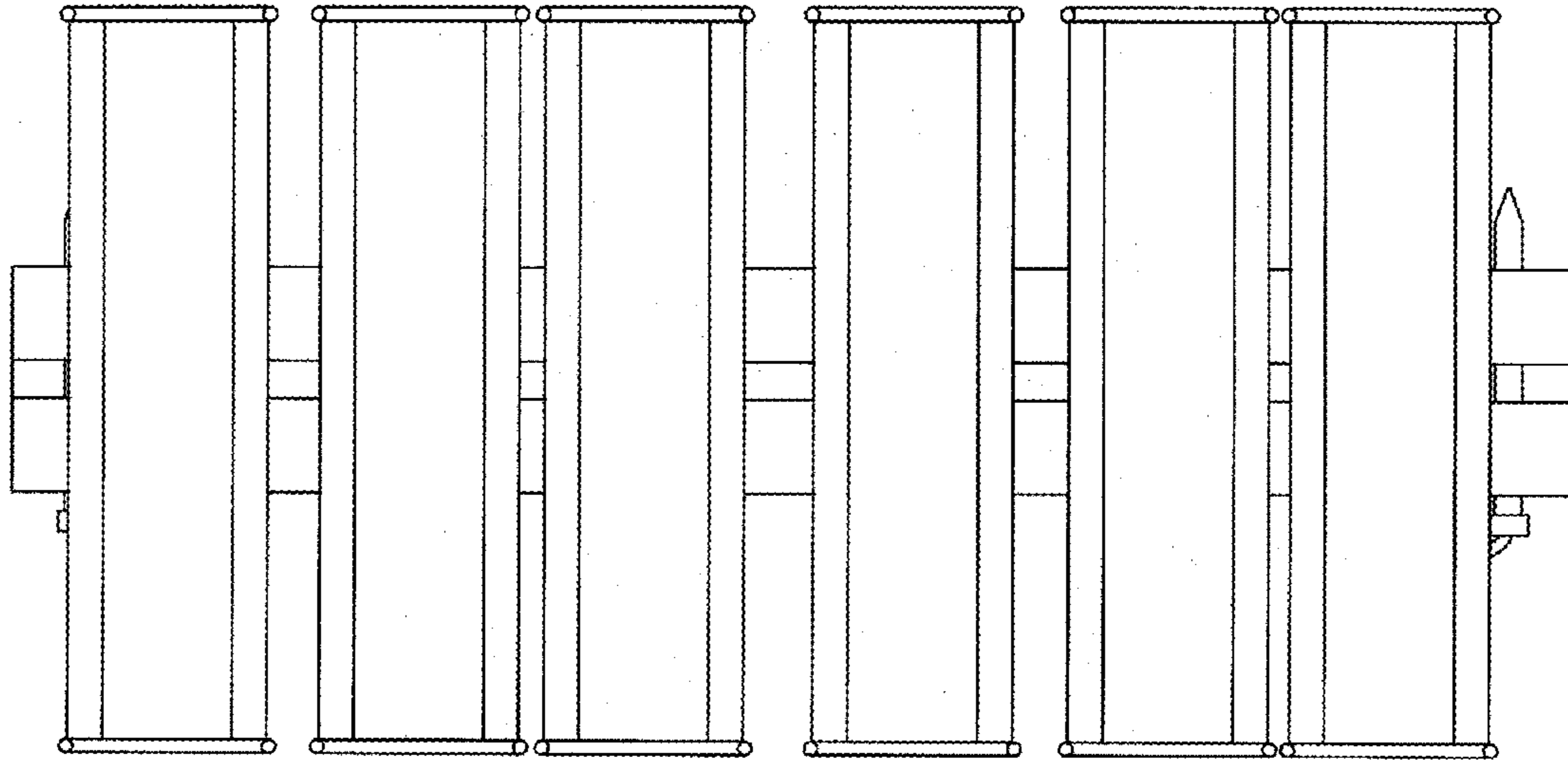


FIG. 4

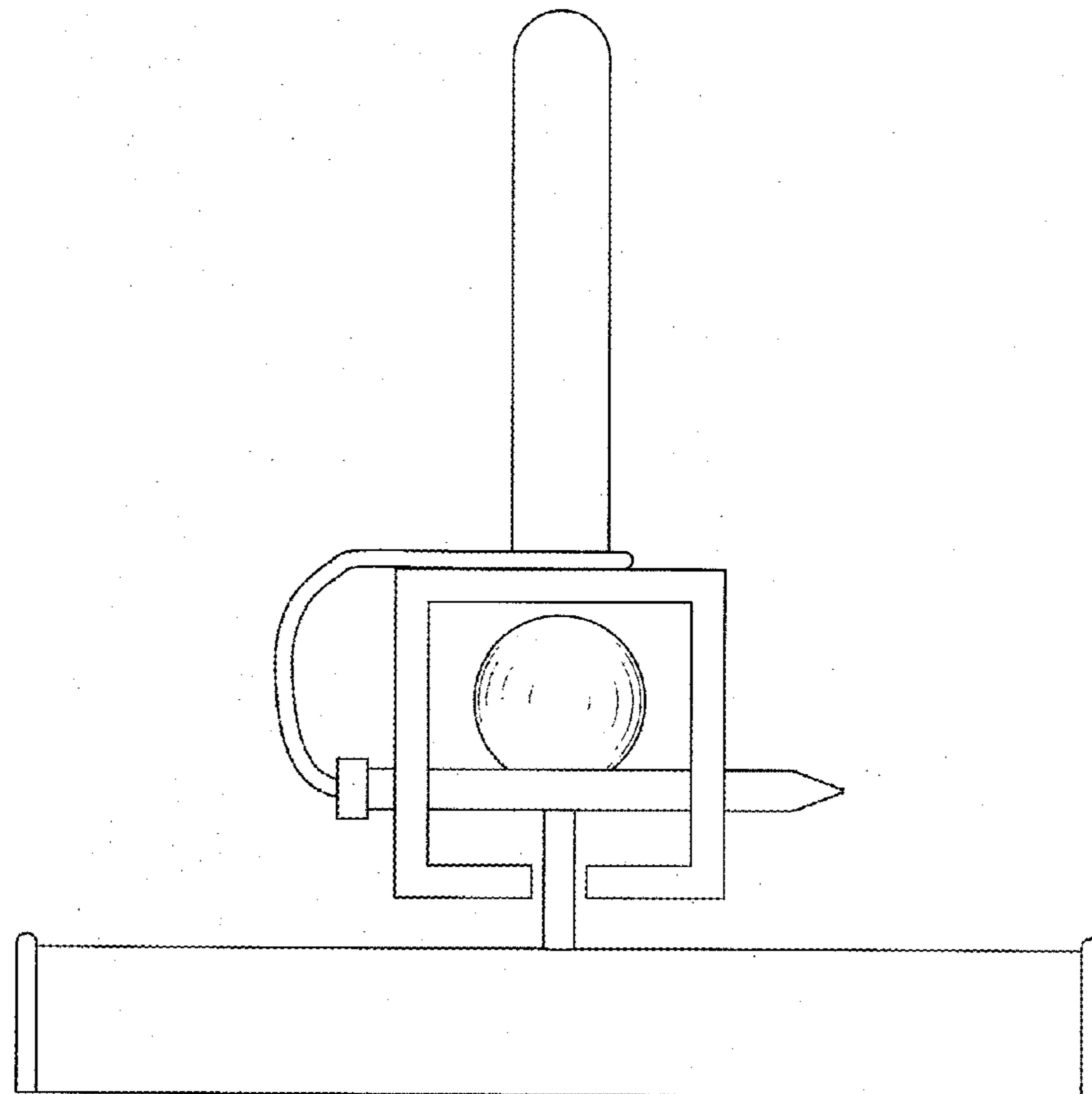


FIG. 5

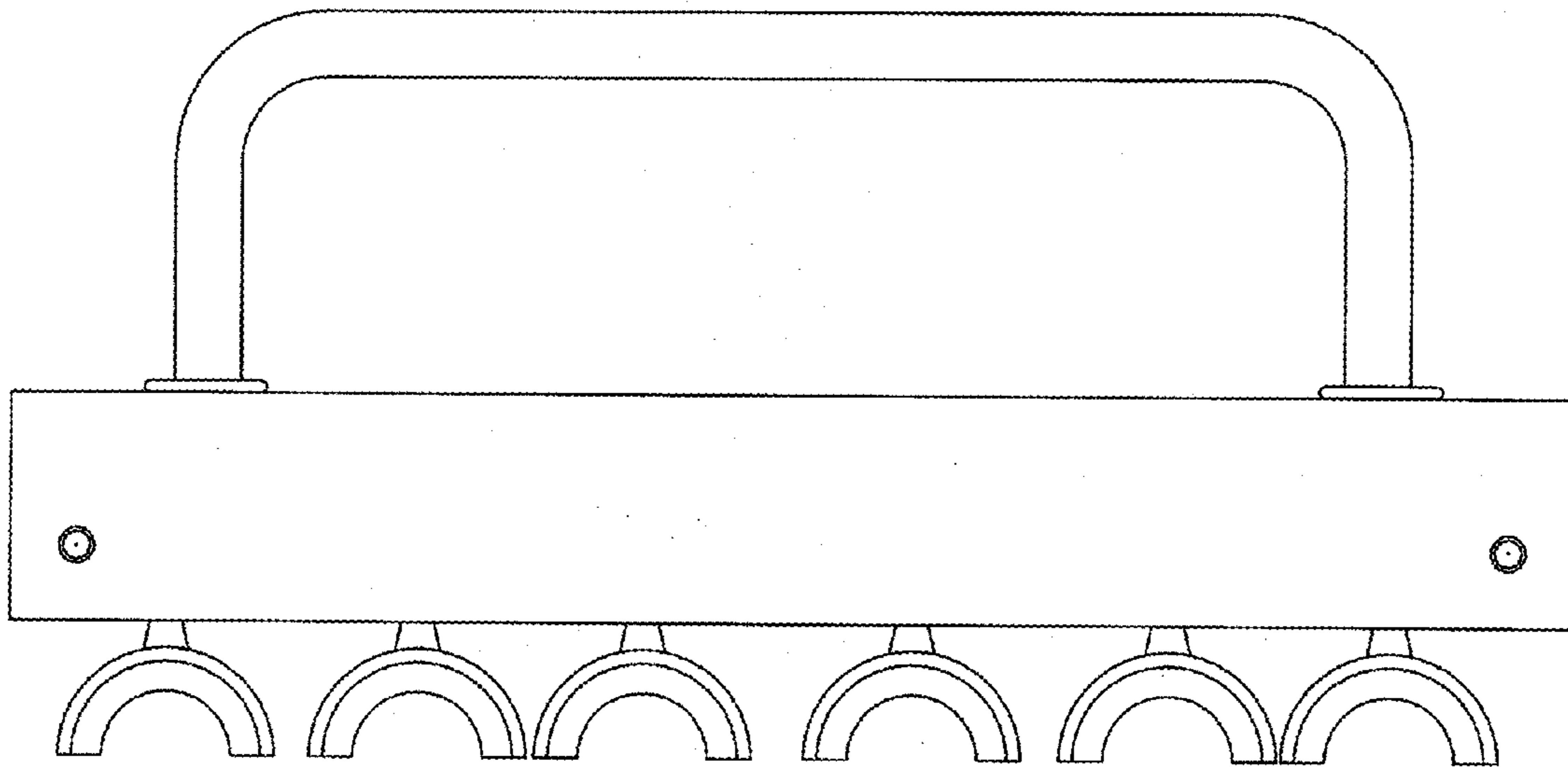


FIG. 6

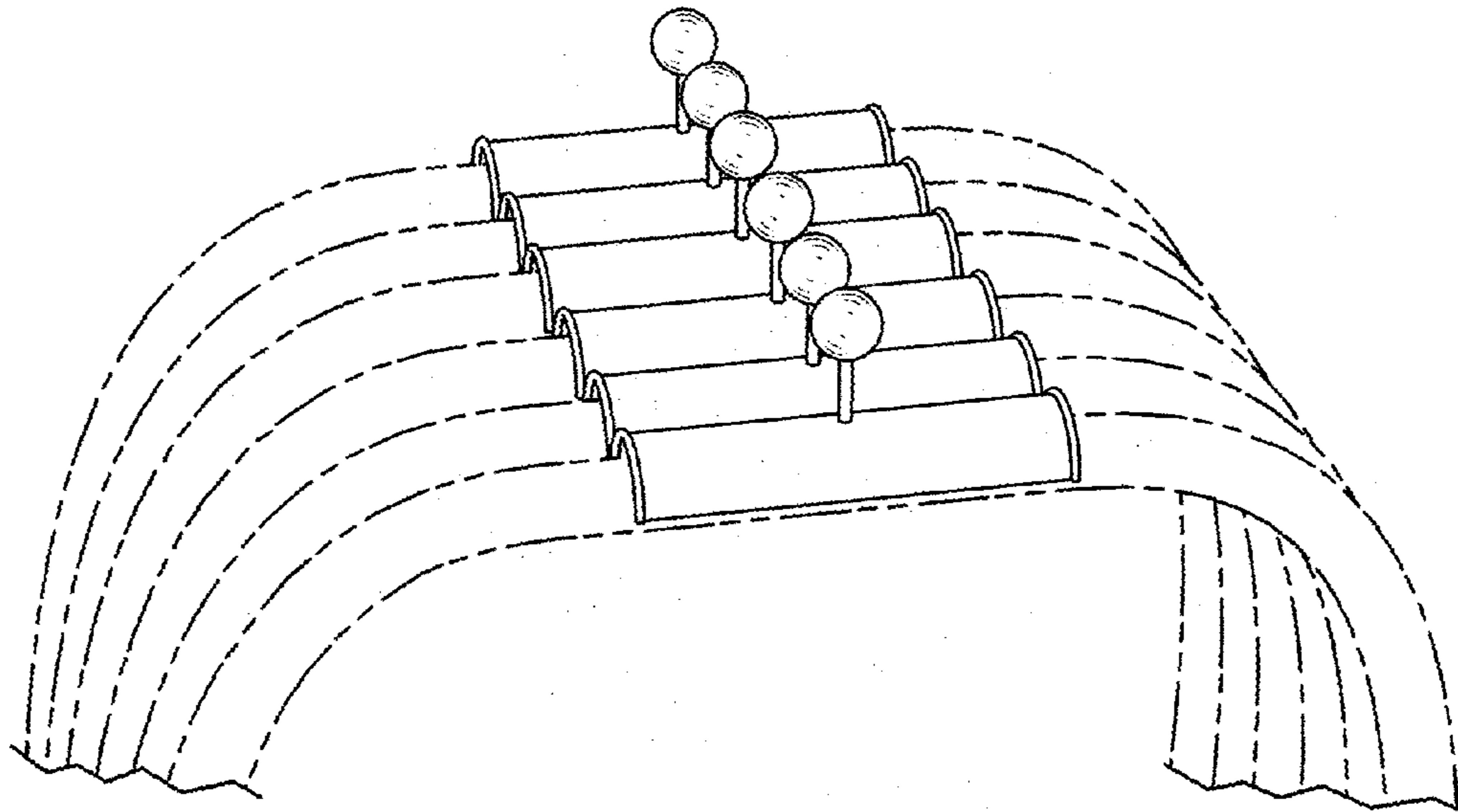


FIG. 7

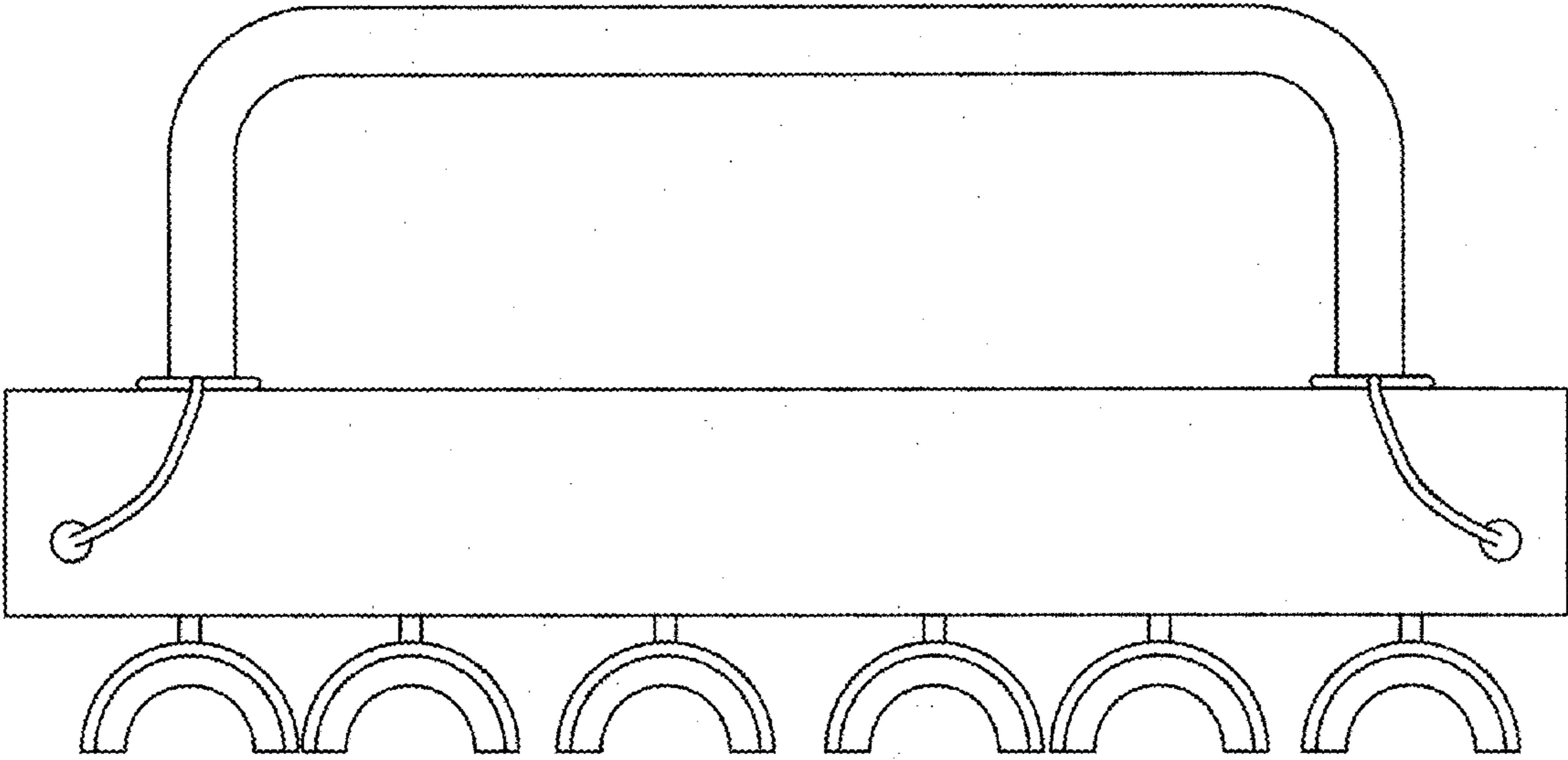


FIG. 8