

US00D757657S

(12) **United States Design Patent**
Murphy et al.

(10) **Patent No.:** **US D757,657 S**

(45) **Date of Patent:** **** May 31, 2016**

(54) **BUSBAR**

(71) Applicant: **General Electric Company**,
Schenectady, NY (US)

(72) Inventors: **Mark Allen Murphy**, Erie, PA (US);
Jason Daniel Kuttenkuler, Erie, PA
(US); **Sean Patrick Cillessen**, Lawrence
Park, PA (US)

(73) Assignee: **General Electric Company**,
Schenectady, NY (US)

(**) Term: **15 Years**

(21) Appl. No.: **29/537,231**

(22) Filed: **Aug. 24, 2015**

Related U.S. Application Data

(62) Division of application No. 29/510,245, filed on Nov.
26, 2014, now Pat. No. Des. 743,899.

(51) **LOC (10) Cl.** **13-03**

(52) **U.S. Cl.**
USPC **D13/154; D13/147**

(58) **Field of Classification Search**
USPC **D13/146, 147, 154, 184, 199**
See application file for complete search history.

(56) **References Cited**

U.S. PATENT DOCUMENTS

4,270,019 A 5/1981 Thye et al.
5,528,073 A 6/1996 Gilmore
D556,686 S 12/2007 Matsuo et al.

D636,727 S 4/2011 Sakae
D697,032 S 1/2014 Ohashi et al.
D743,897 S * 11/2015 Krivonak D13/147
D743,899 S * 11/2015 Murphy D13/147
D743,900 S * 11/2015 Murphy D13/147
D743,903 S * 11/2015 Krivonak D13/147
2010/0000089 A1 1/2010 Yang et al.
2010/0089641 A1 4/2010 Esmaili et al.
2011/0073345 A1 3/2011 Sato et al.

OTHER PUBLICATIONS

Notice of Allowance issued in connection with corresponding U.S.
Appl. No. 29/510,245 on Jul. 20, 2015.

* cited by examiner

Primary Examiner — Daniel Bui

(74) *Attorney, Agent, or Firm* — GE Global Patent Operation

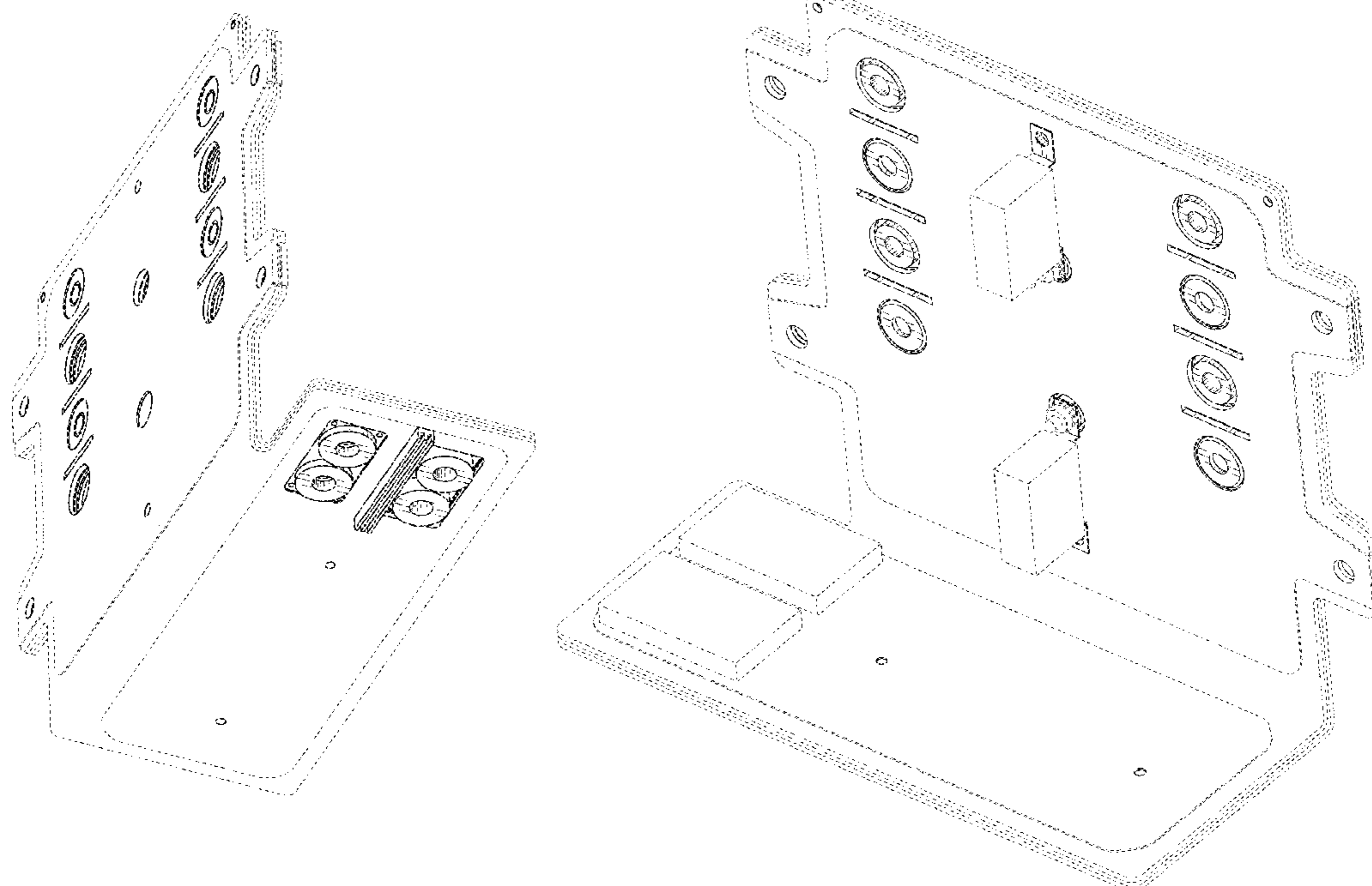
(57) **CLAIM**

The ornamental design for a busbar, as shown and described.

DESCRIPTION

FIG. 1 is a bottom perspective view of a busbar showing our
new design;
FIG. 2 is a bottom plan view thereof;
FIG. 3 is top plan view thereof;
FIG. 4 is a front elevation view thereof;
FIG. 5 is a rear elevation view thereof;
FIG. 6 is a side elevation view thereof;
FIG. 7 is an opposite side elevation view thereof; and,
FIG. 8 is a top perspective view thereof.
The broken line portion of the figure drawings is included to
show unclaimed subject matter only and forms no part of the
claimed designs.

1 Claim, 5 Drawing Sheets



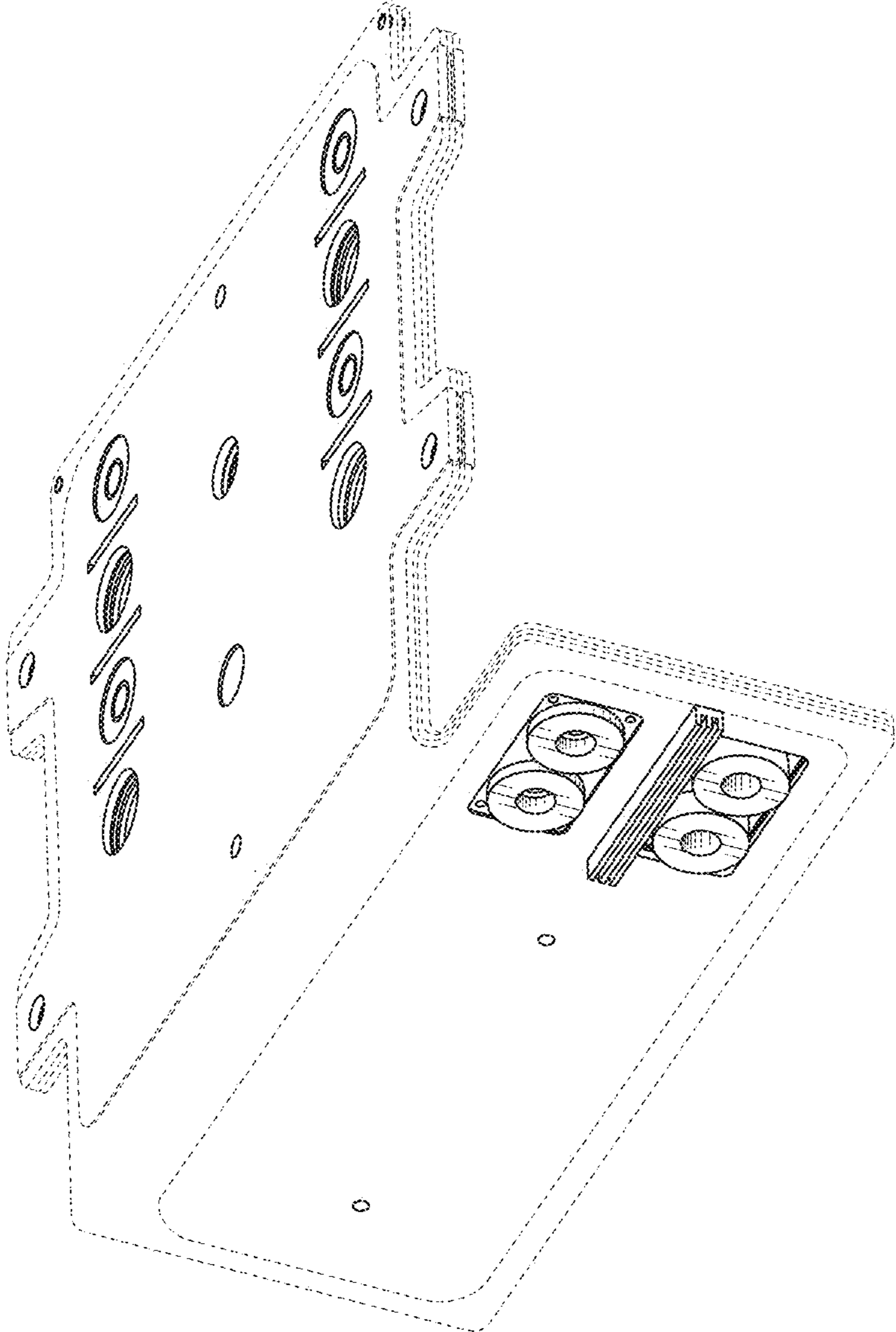


FIG. 1

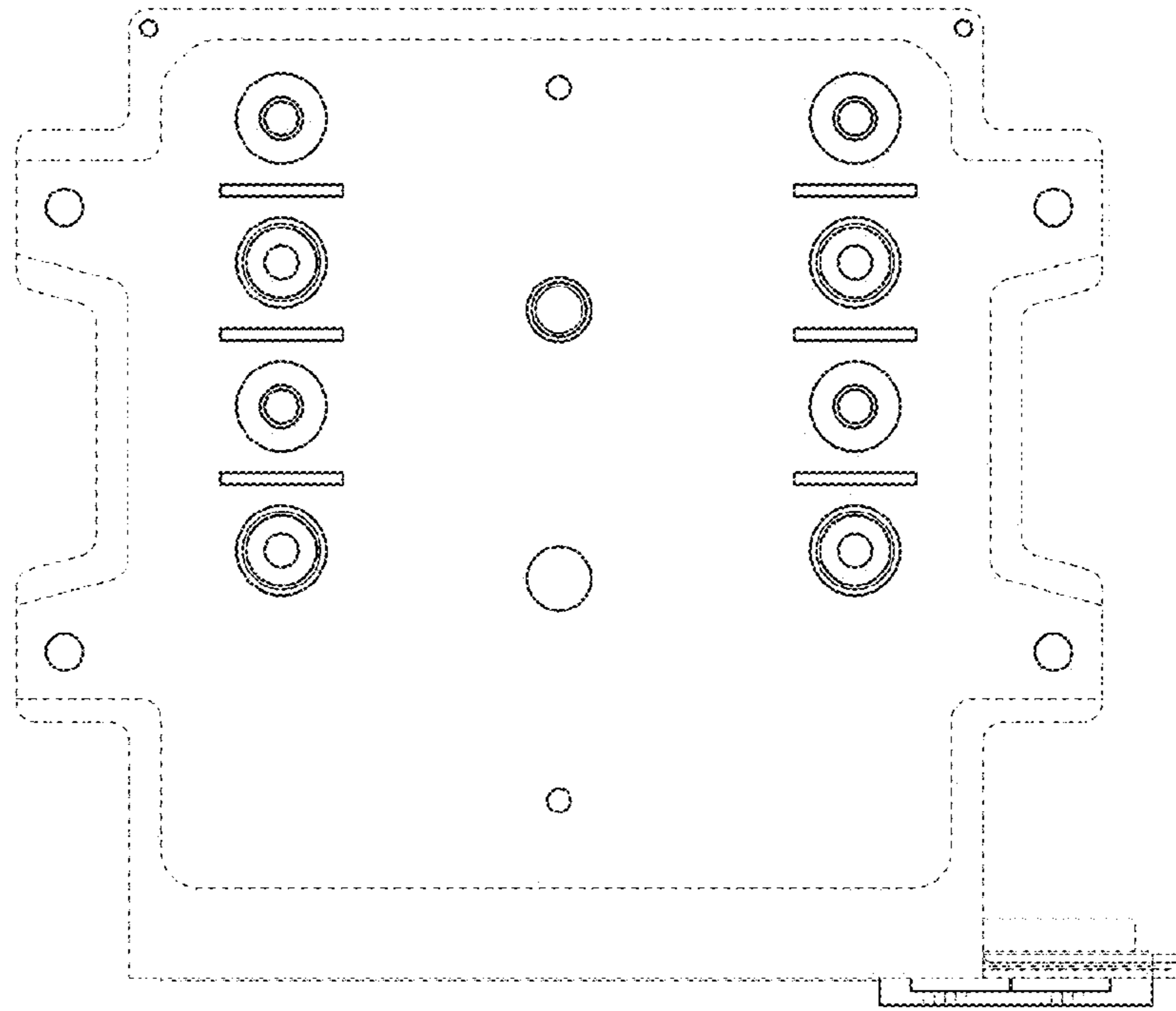


FIG. 2

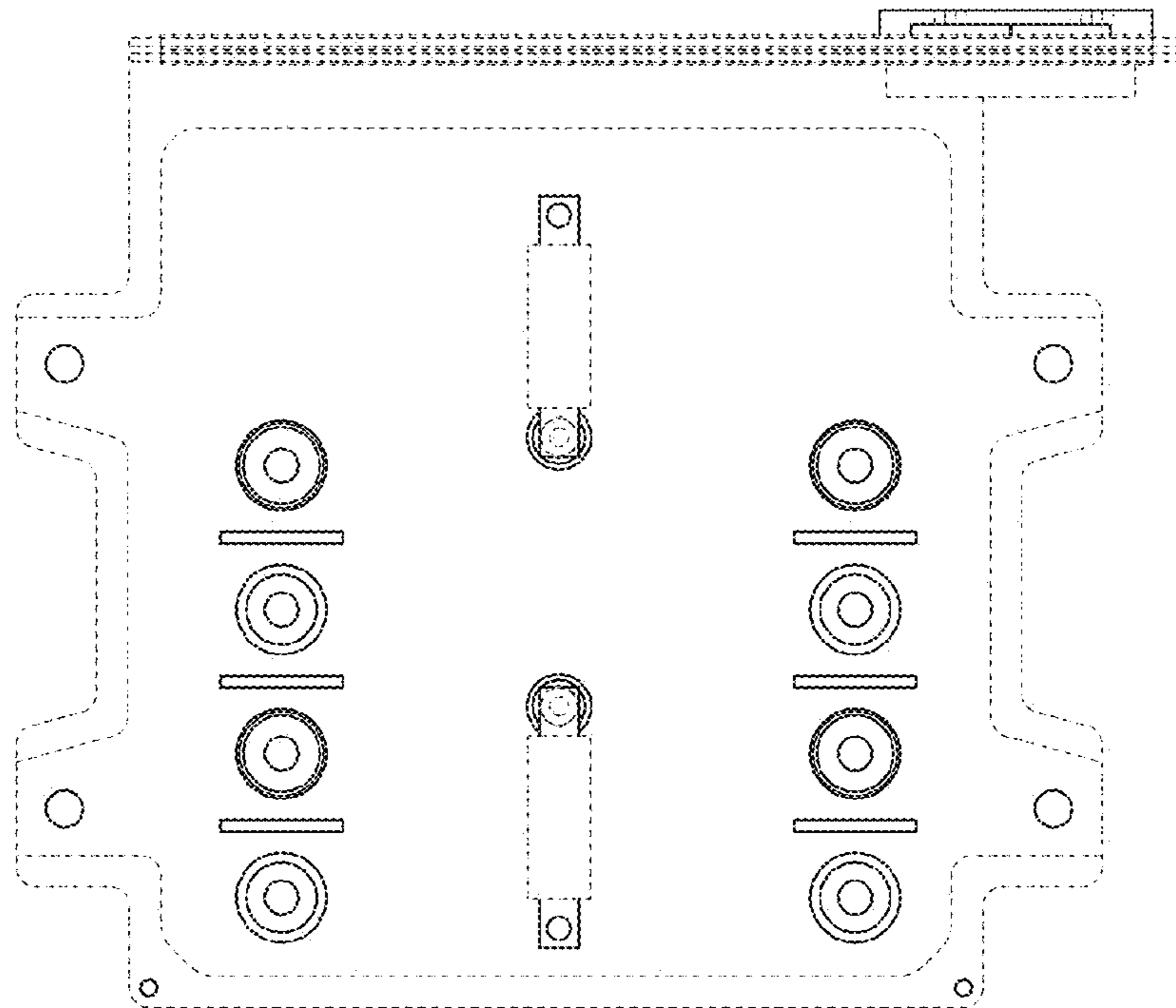


FIG. 3

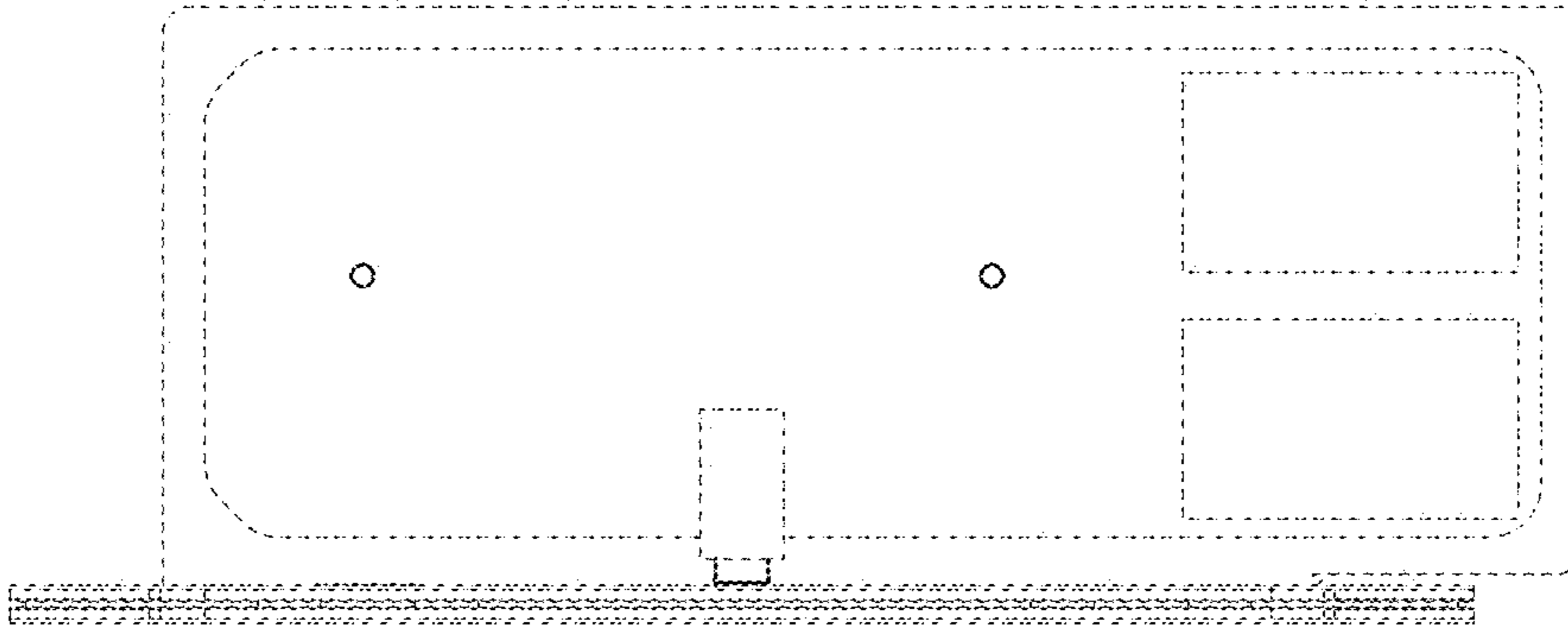


FIG. 4

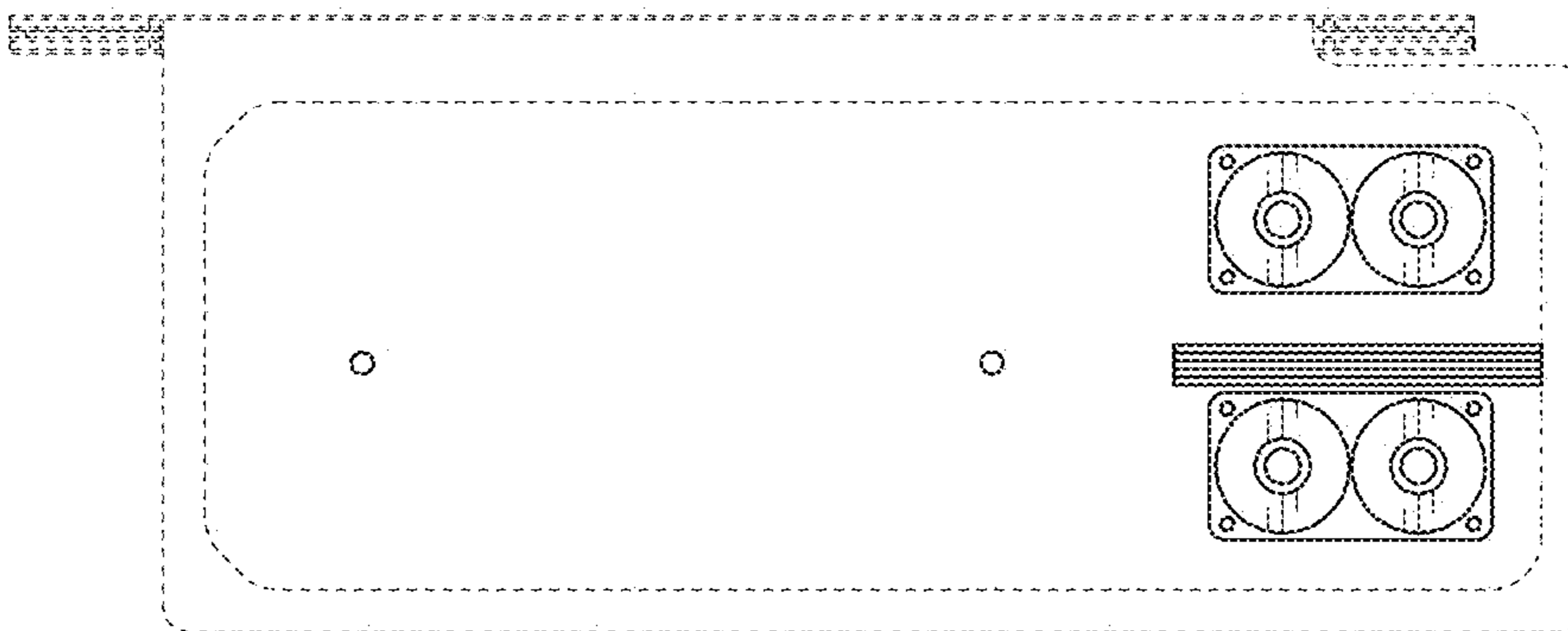


FIG. 5

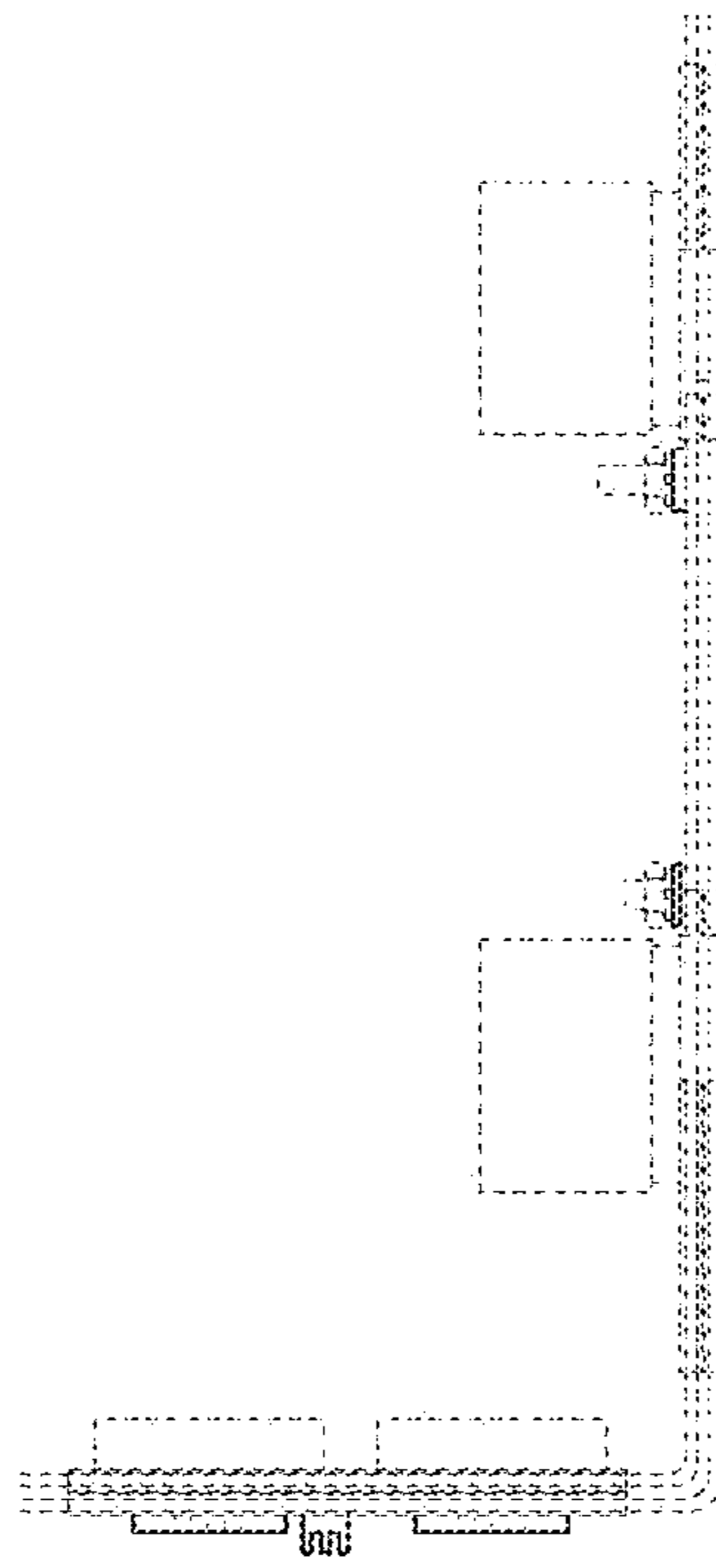


FIG. 6

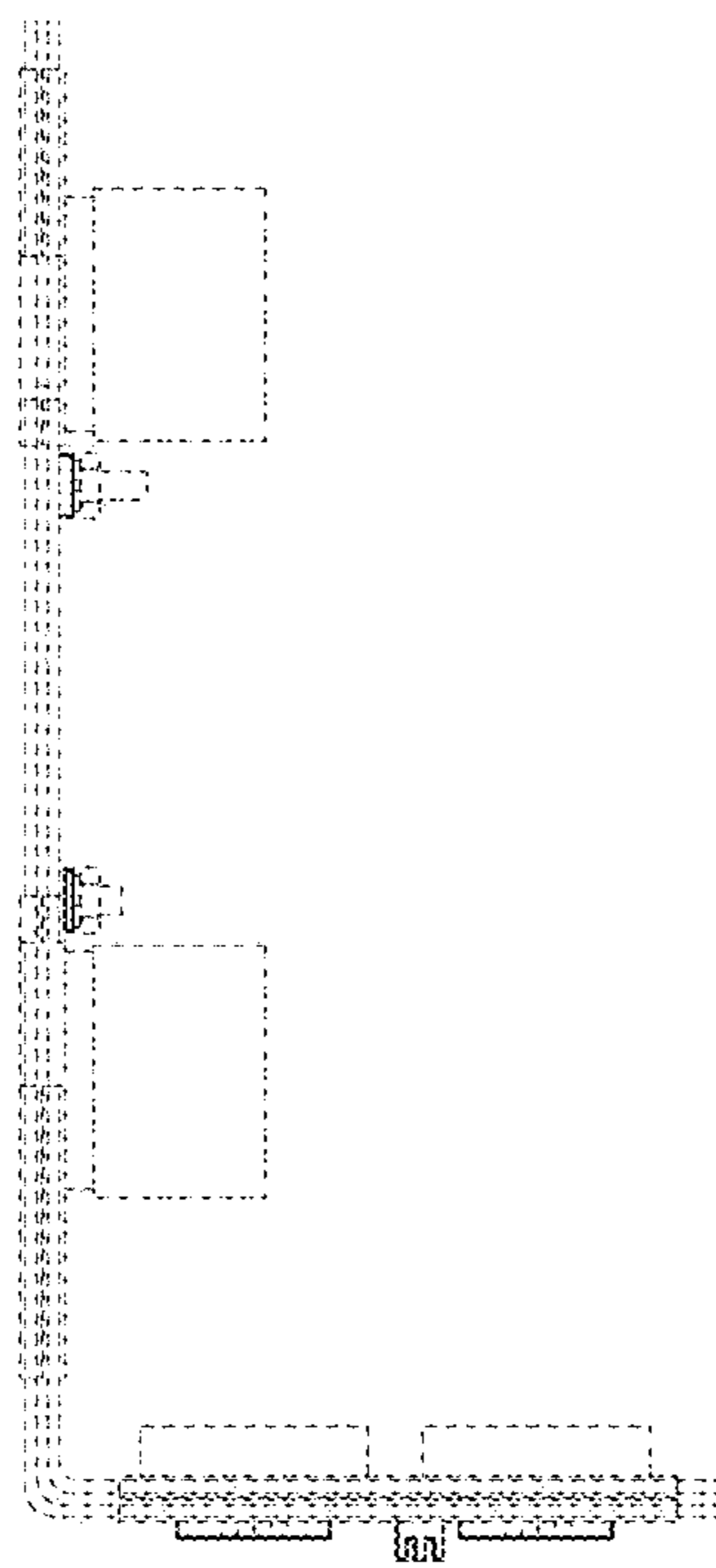


FIG. 7

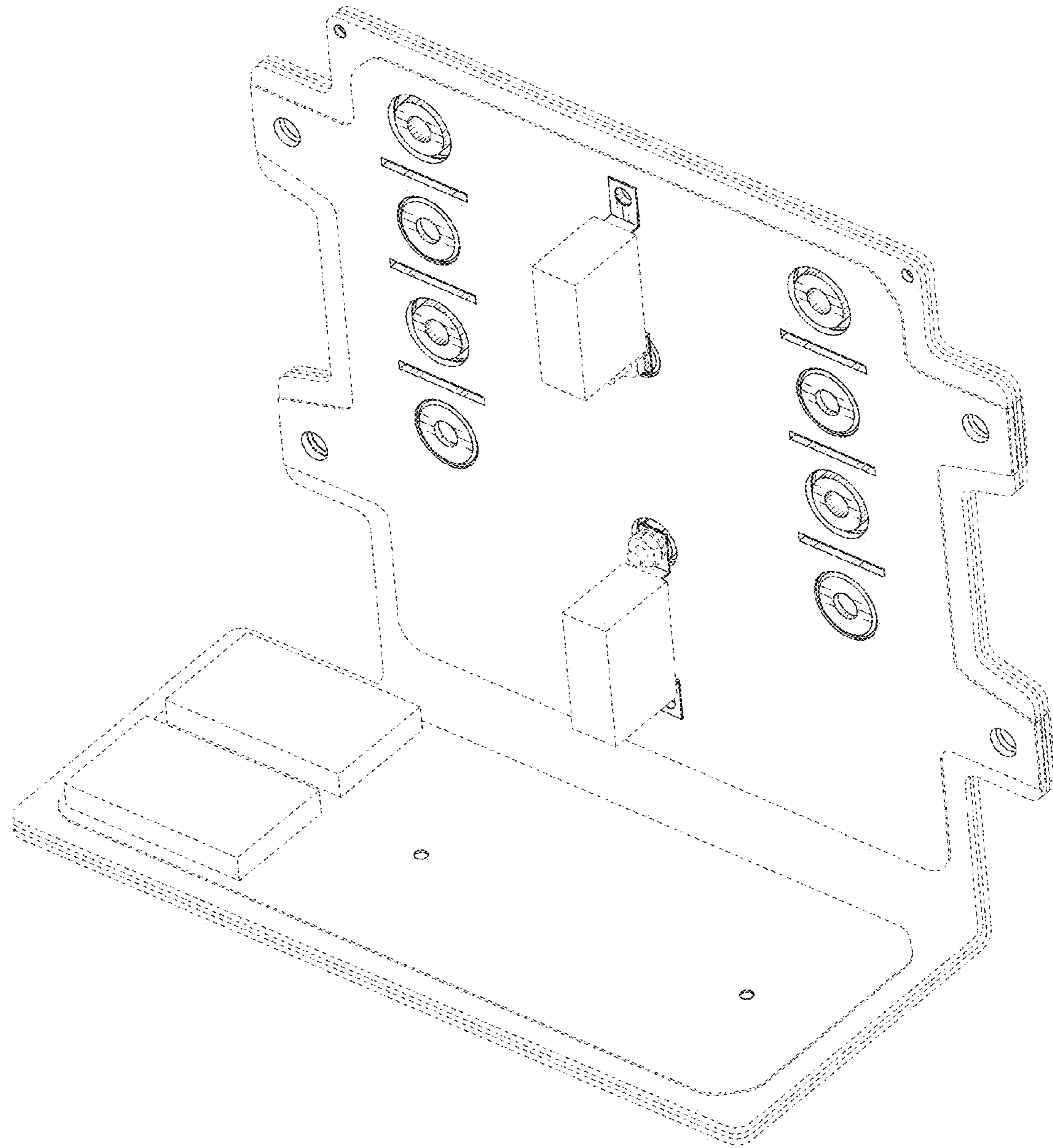


FIG. 8