



US00D757655S

(12) **United States Design Patent**
Murphy et al.

(10) **Patent No.:** **US D757,655 S**

(45) **Date of Patent:** **** May 31, 2016**

(54) **BUSBAR**

(71) Applicant: **General Electric Company,**
Schenectady, NY (US)

(72) Inventors: **Mark Allen Murphy,** Erie, PA (US);
Henry Todd Young, Erie, PA (US);
Jason Daniel Kuttenkuler, Erie, PA
(US); **Jeffrey John Wolff,** Lawrence
Park, PA (US); **Aiqin Jiang,** Shanghai
(CN); **Sean Patrick Cillessen,** Lawrence
Park, PA (US)

(73) Assignee: **General Electric Company,**
Schenectady, NY (US)

(**) Term: **15 Years**

(21) Appl. No.: **29/537,694**

(22) Filed: **Aug. 28, 2015**

Related U.S. Application Data

(62) Division of application No. 29/510,294, filed on Nov.
26, 2014, now Pat. No. Des. 743,902.

(51) **LOC (10) Cl.** **13-03**

(52) **U.S. Cl.**
USPC **D13/147; D13/154**

(58) **Field of Classification Search**

USPC D13/146, 147, 154, 184, 199
See application file for complete search history.

(56) **References Cited**

U.S. PATENT DOCUMENTS

D743,902 S * 11/2015 Murphy D13/147
D743,911 S * 11/2015 Murphy D13/147
D743,912 S * 11/2015 Murphy D13/147

* cited by examiner

Primary Examiner — Daniel Bui

(74) *Attorney, Agent, or Firm* — GE Global Patent Operation

(57) **CLAIM**

The ornamental design for a busbar, as shown and described.

DESCRIPTION

FIG. 1 is a top perspective of a busbar showing our new design;

FIG. 2 is a side view thereof;

FIG. 3 is an opposite side view thereof;

FIG. 4 is a front view thereof;

FIG. 5 is a rear view thereof;

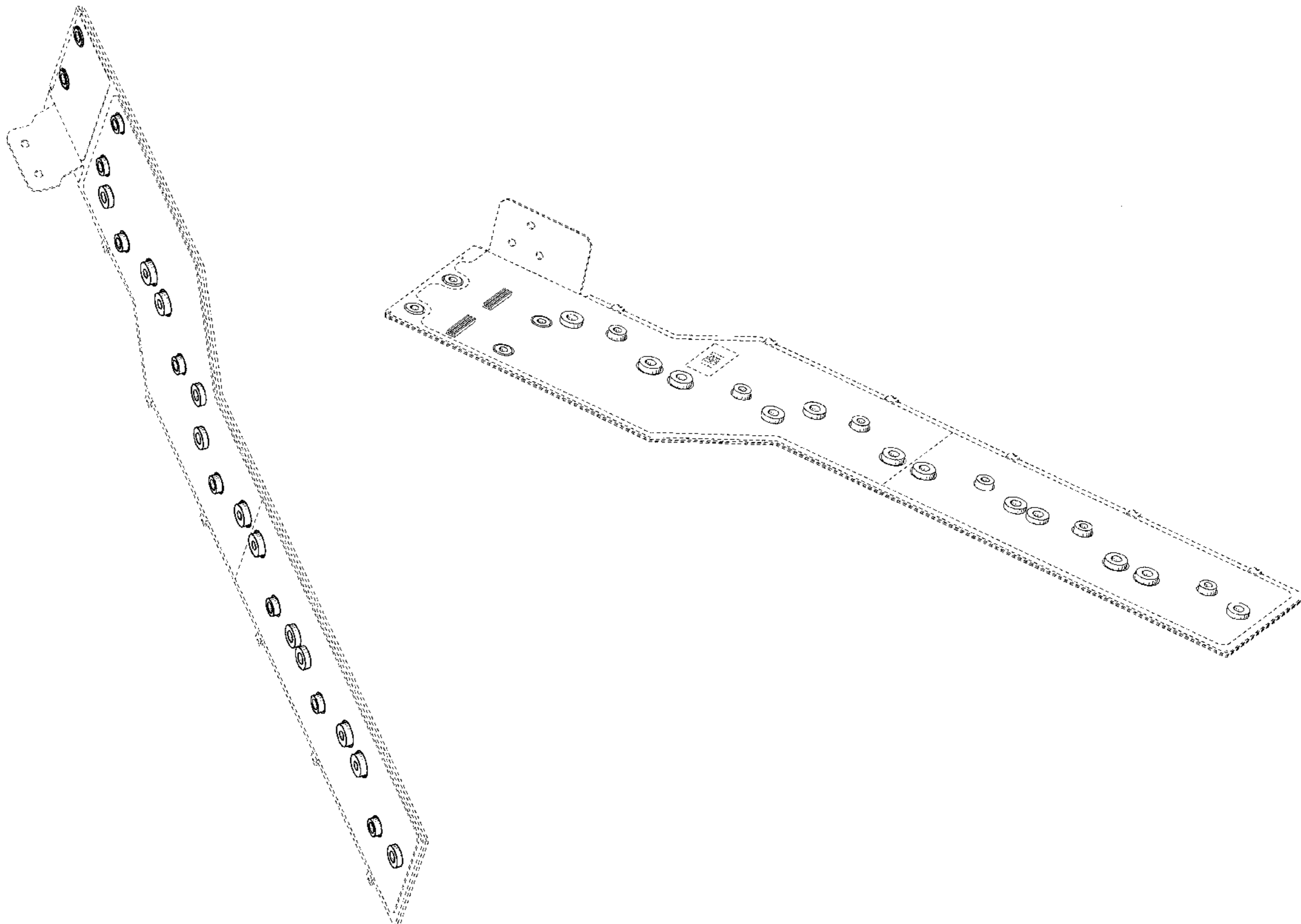
FIG. 6 is a top plan view thereof;

FIG. 7 is a bottom plan view thereof; and,

FIG. 8 is an additional perspective view thereof.

The broken line portion of the figure drawings is included to show unclaimed subject matter only and forms no part of the claimed designs.

1 Claim, 5 Drawing Sheets



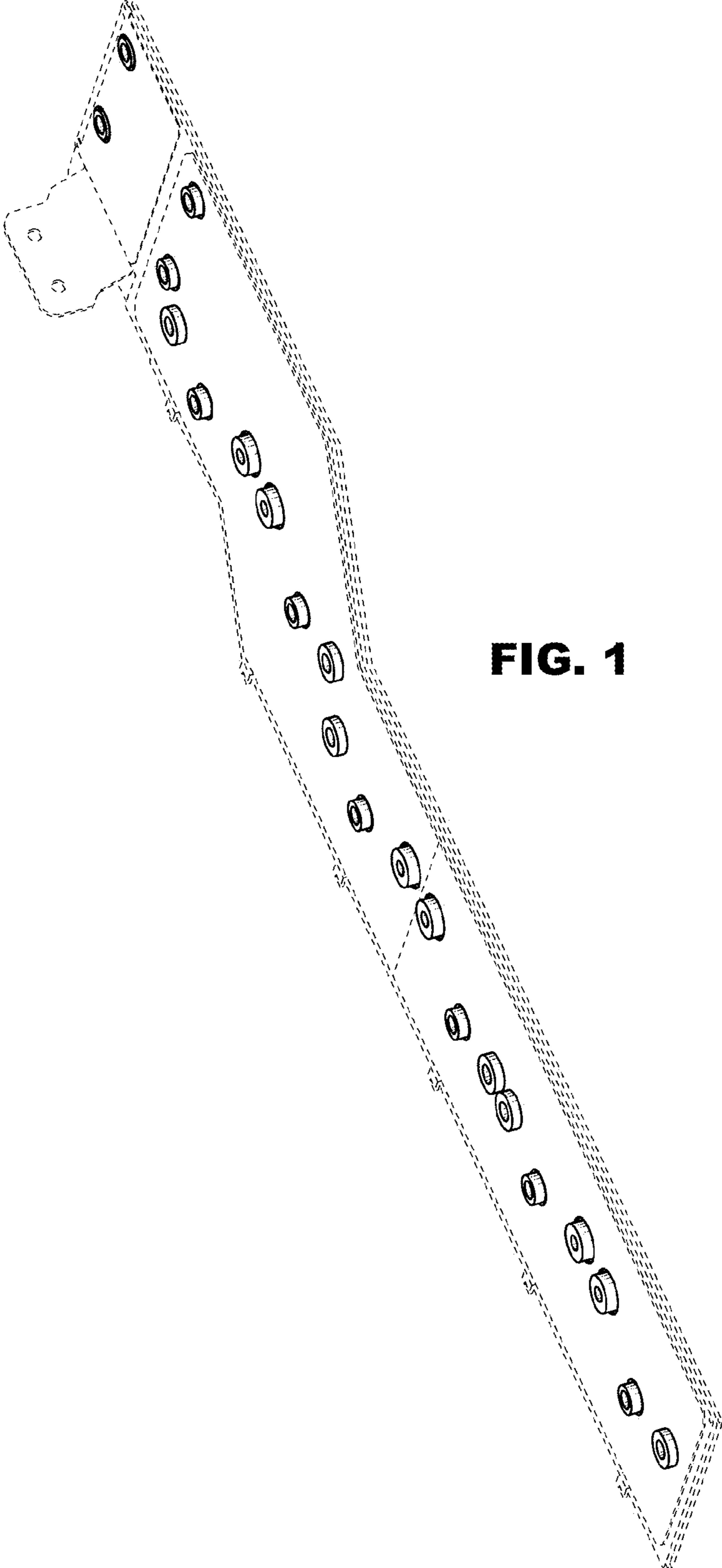


FIG. 1

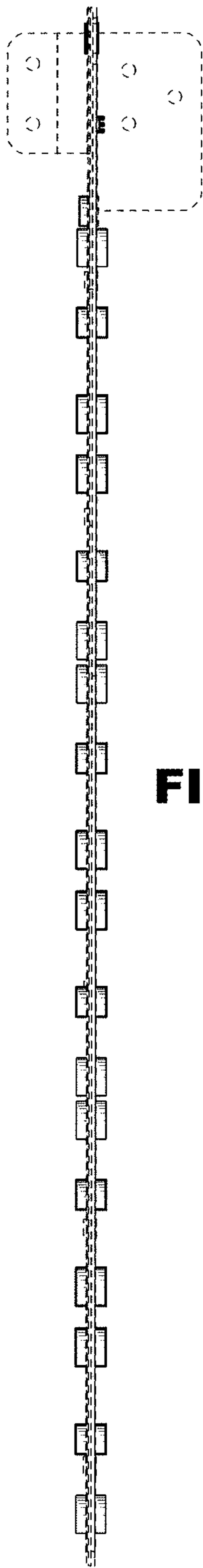


FIG. 2

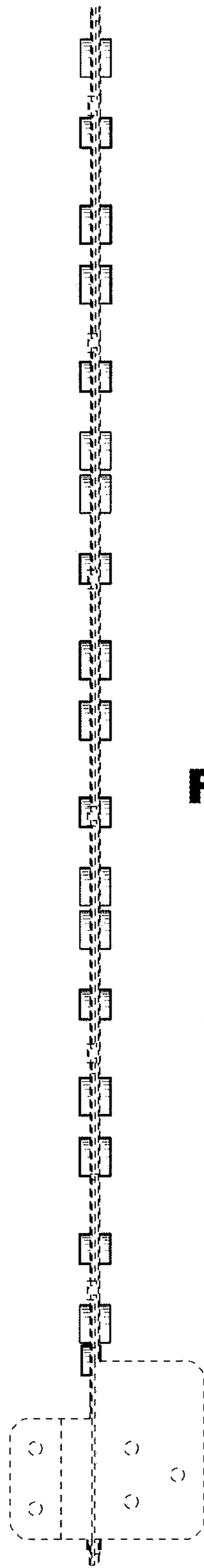


FIG. 3

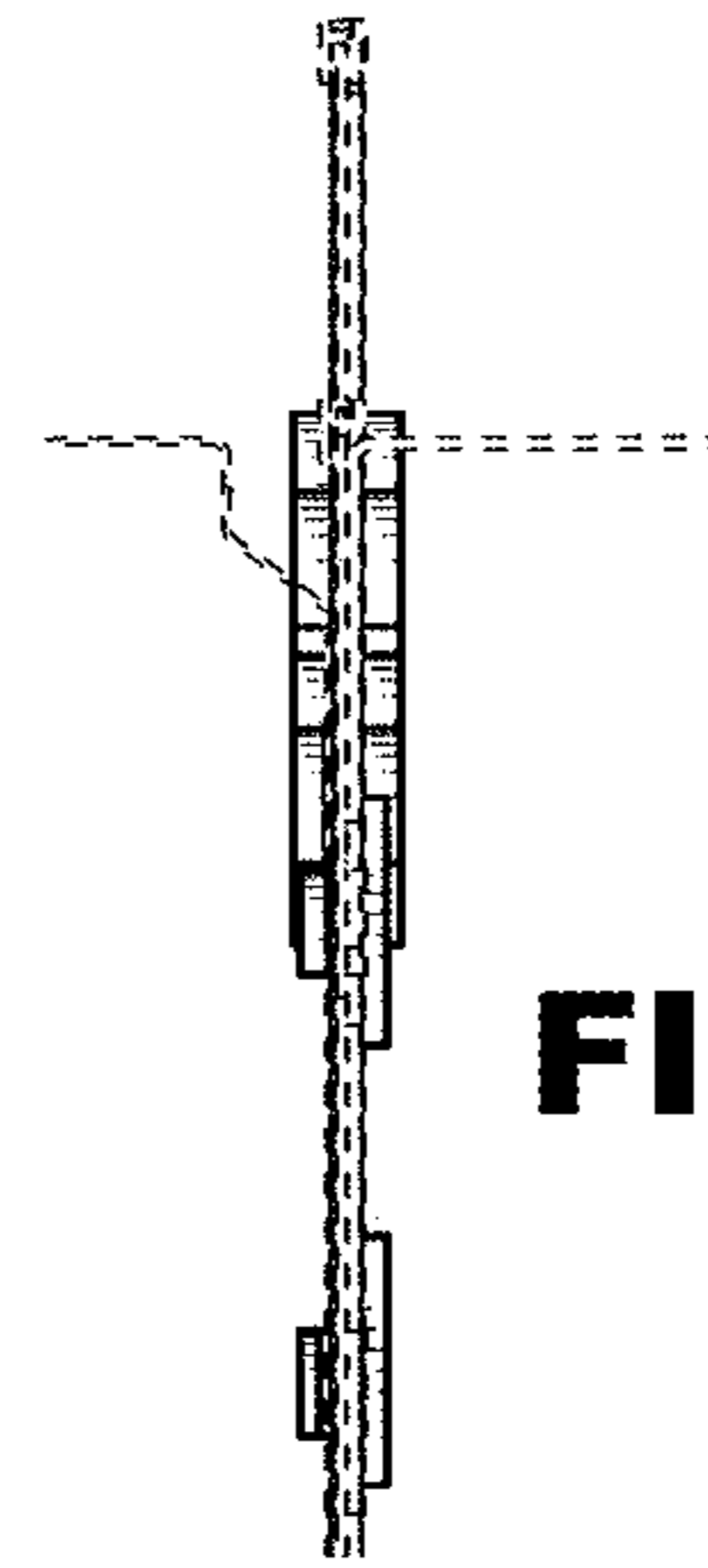


FIG. 5

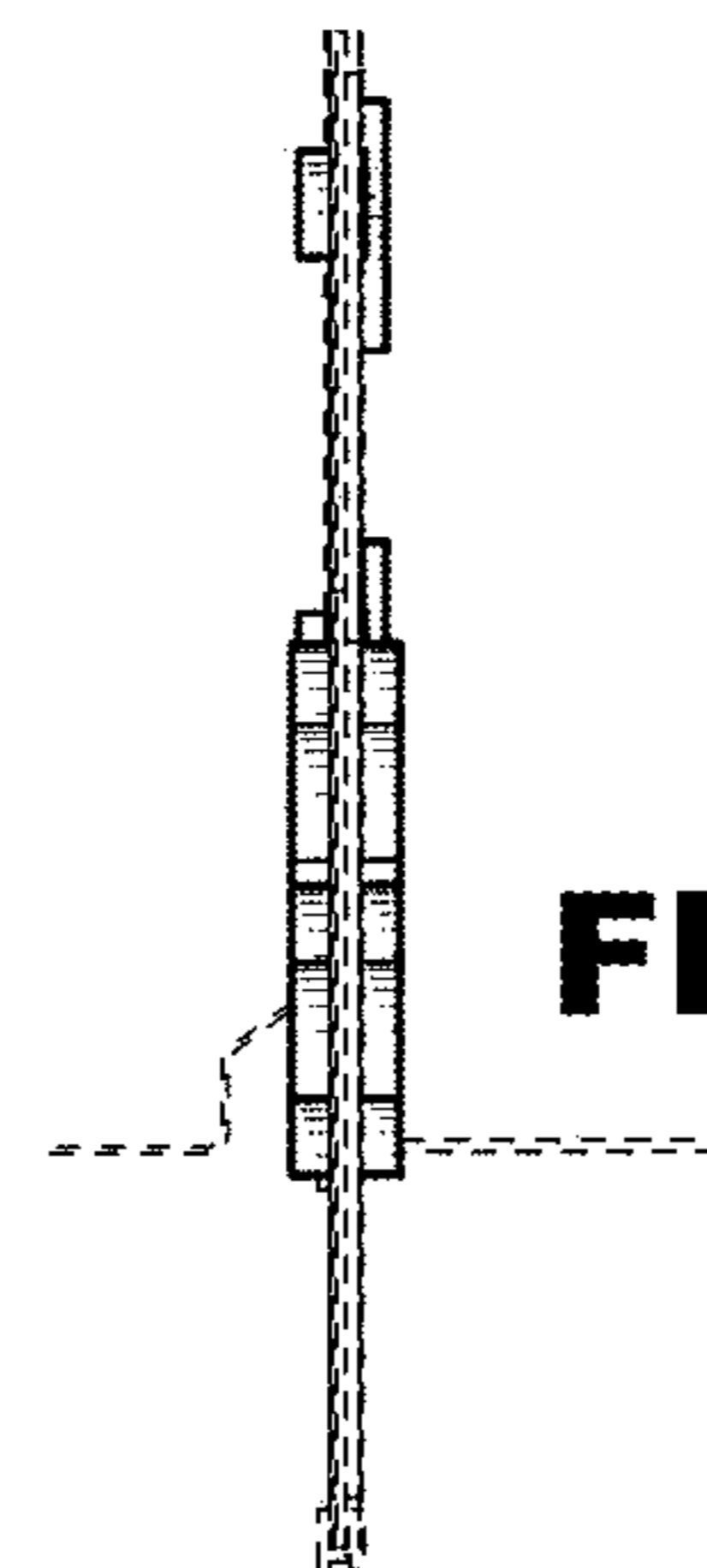


FIG. 4

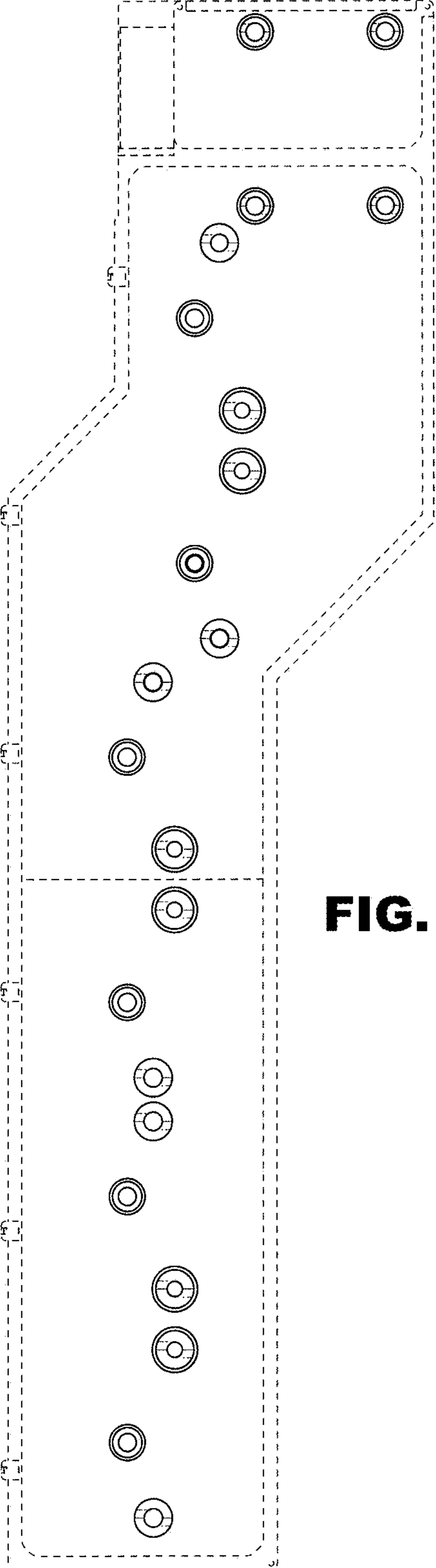


FIG. 6

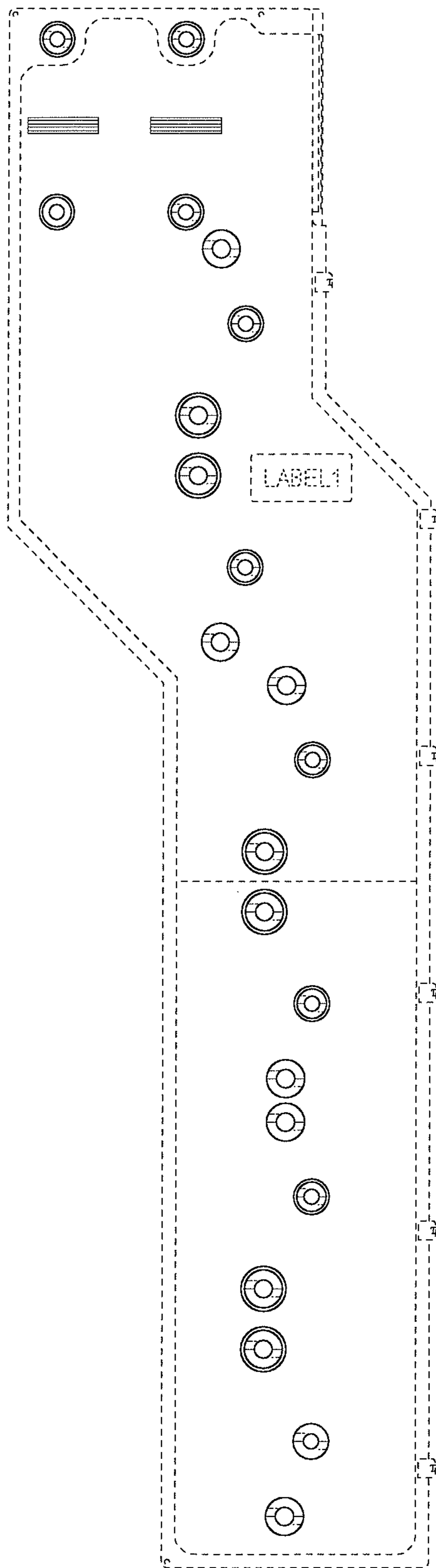


FIG. 7

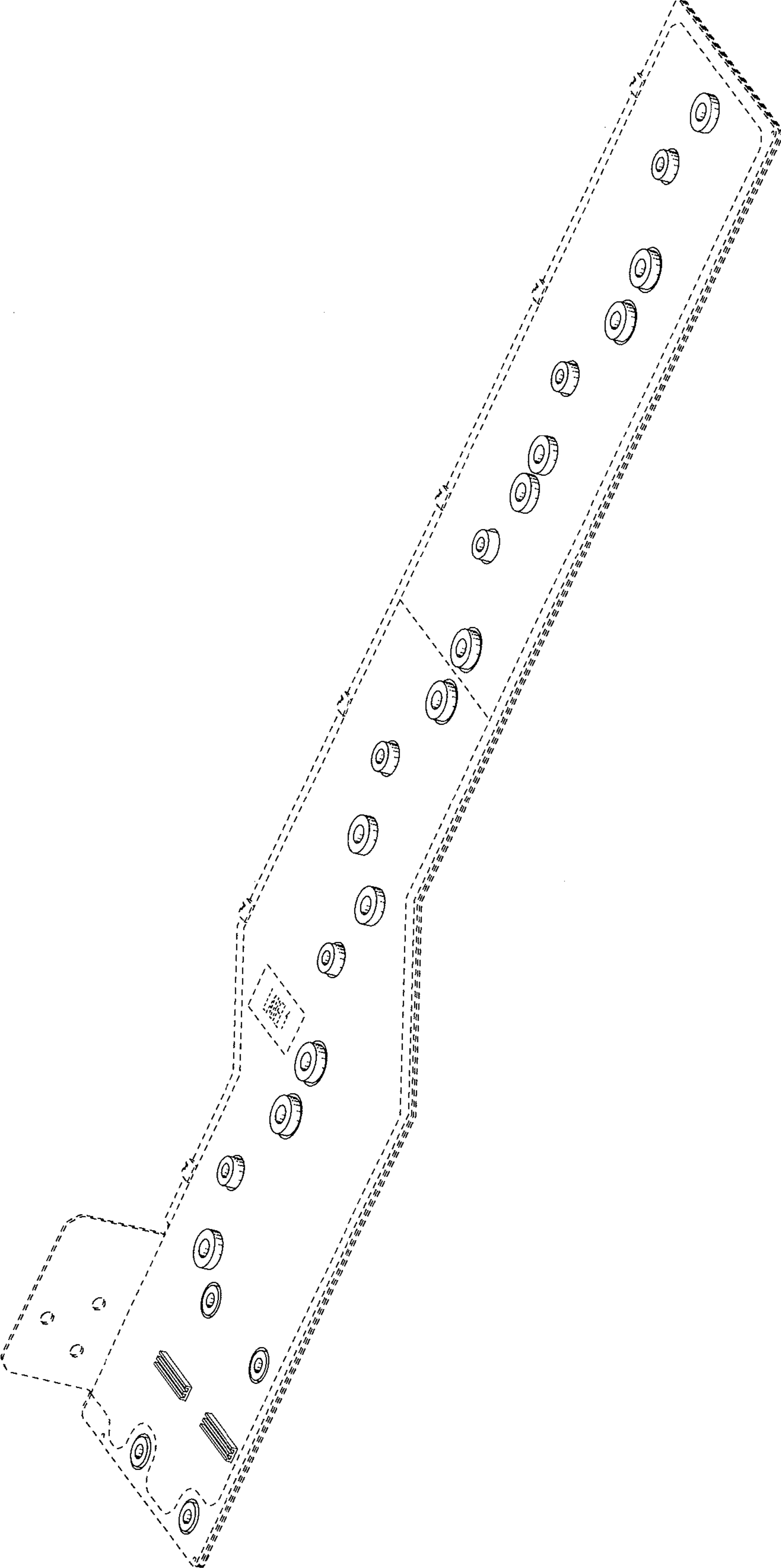


FIG. 8