



US00D757654S

(12) **United States Design Patent**
Zayas

(10) **Patent No.:** **US D757,654 S**

(45) **Date of Patent:** **** May 31, 2016**

(54) **BASE FOR HIGH PRESSURE LAMP**

(71) Applicant: **LightSources Inc.**, Orange, CT (US)

(72) Inventor: **Betty Jean Zayas**, Bridgeport, CT (US)

(73) Assignee: **LIGHTSOURCES INC.**, Orange, CT (US)

(**) Term: **15 Years**

(21) Appl. No.: **29/527,410**

(22) Filed: **May 19, 2015**

(51) **LOC (10) Cl.** **13-03**

(52) **U.S. Cl.**
USPC **D13/134**

(58) **Field of Classification Search**
USPC D13/110, 118, 123, 133-139.8, 146,
D13/147, 151, 154, 184, 199
CPC F21V 19/00; F21V 21/00; F21V 21/06;
F21V 29/00; F16L 37/23; G02B 6/3847;
G02B 6/38; G02B 6/36; H01R 4/24; H01R
13/64; H01R 13/66; H01R 33/08; H01R
33/05; H01R 33/02; H01R 33/76; H01R
13/00

See application file for complete search history.

(56) **References Cited**

U.S. PATENT DOCUMENTS

4,427,879 A * 1/1984 Becher G02B 6/2552
250/215
5,114,036 A * 5/1992 Liu H05K 5/0239
220/787
5,795,192 A 8/1998 Ullrich

D507,537 S * 7/2005 Lord D13/147
D575,739 S * 8/2008 Ho D13/133
D588,989 S * 3/2009 Kok D13/133
D590,344 S * 4/2009 Suematsu D13/147
2014/0151999 A1 6/2014 Imaki et al.
2015/0028736 A1 1/2015 Derhaeg et al.

OTHER PUBLICATIONS

Drawings from preliminary request for proposal of potential customer, effective date: May 6, 2015.

* cited by examiner

Primary Examiner — Daniel Bui

Assistant Examiner — Shawn T Gingrich

(74) *Attorney, Agent, or Firm* — Cantor Colburn LLP

(57) **CLAIM**

The ornamental design for a base for high pressure lamp, as shown and described.

DESCRIPTION

FIG. 1 is a front perspective view of an embodiment of a base for high pressure lamp.

FIG. 2 is a rear perspective view of the embodiment of FIG. 1.

FIG. 3 is a front planar view of the embodiment of FIG. 1.

FIG. 4 is a rear planar view of the embodiment of FIG. 1.

FIG. 5 is a right side planar view of the embodiment of FIG. 1.

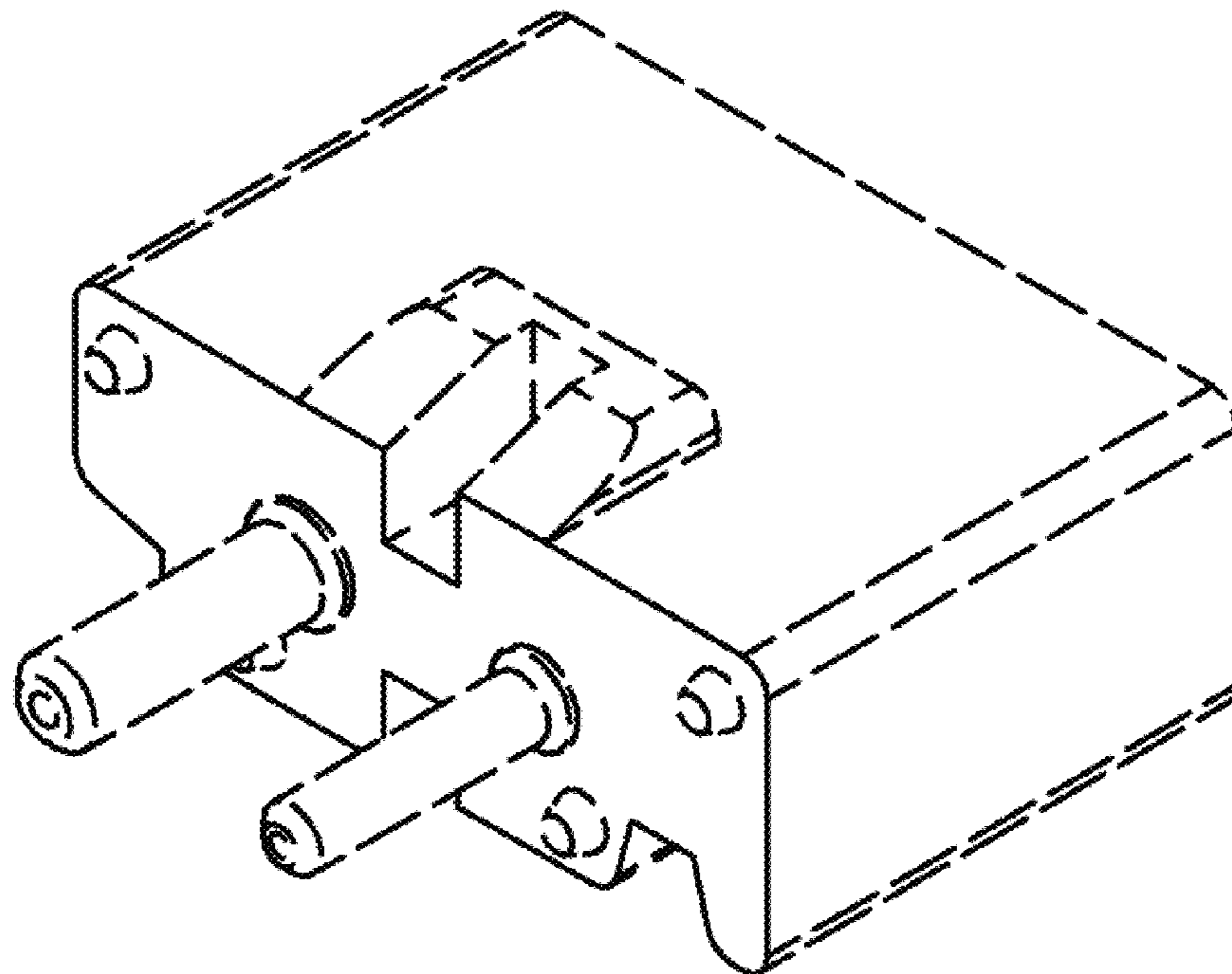
FIG. 6 is a left side planar view of the embodiment of FIG. 1.

FIG. 7 is a top planar view of the embodiment of FIG. 1; and,

FIG. 8 is a bottom planar view of the embodiment of FIG. 1.

The broken lines in the drawings are for the purpose of illustrating portions of the base for high pressure lamp that form no part of the claimed design.

1 Claim, 2 Drawing Sheets



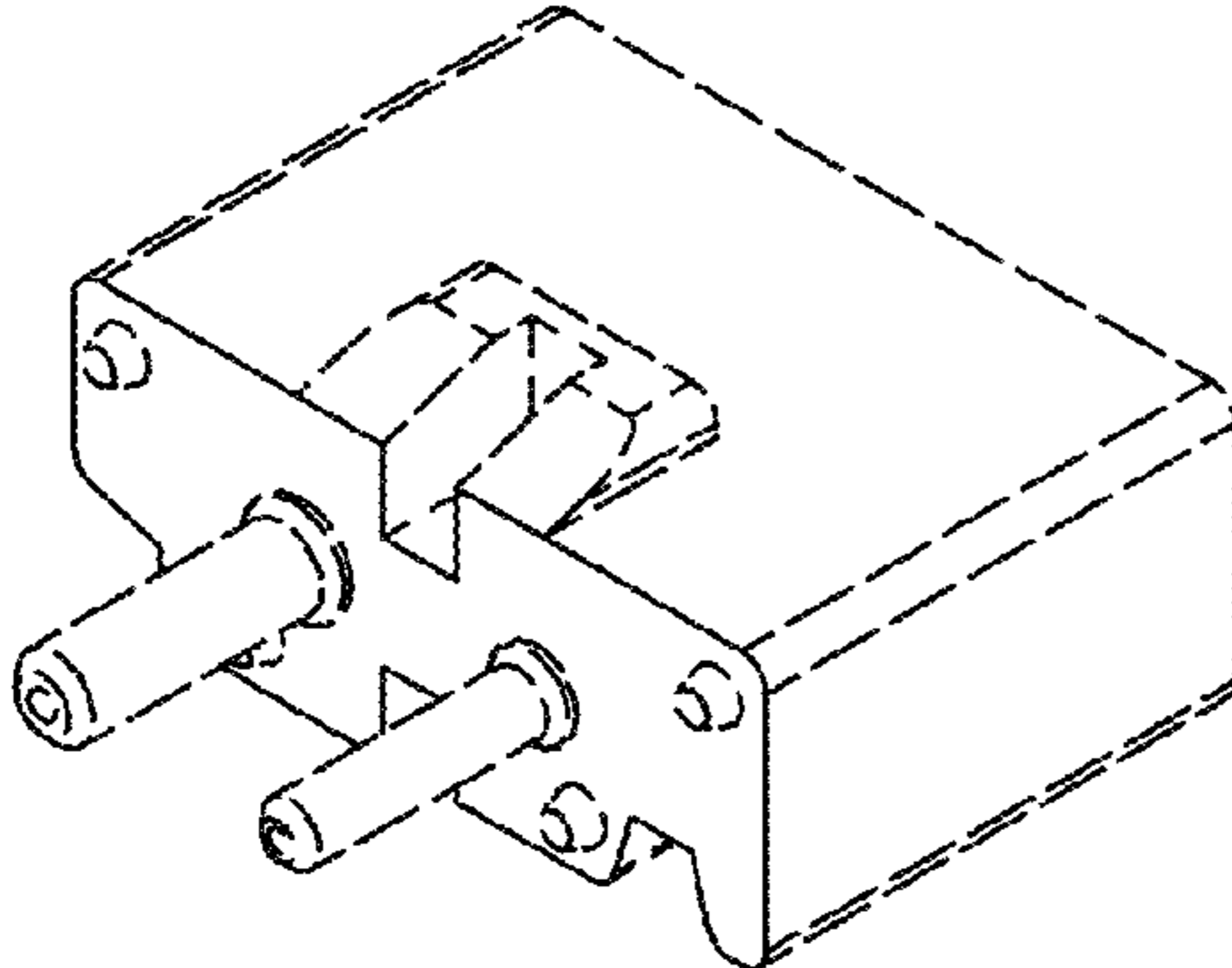


FIG. 1

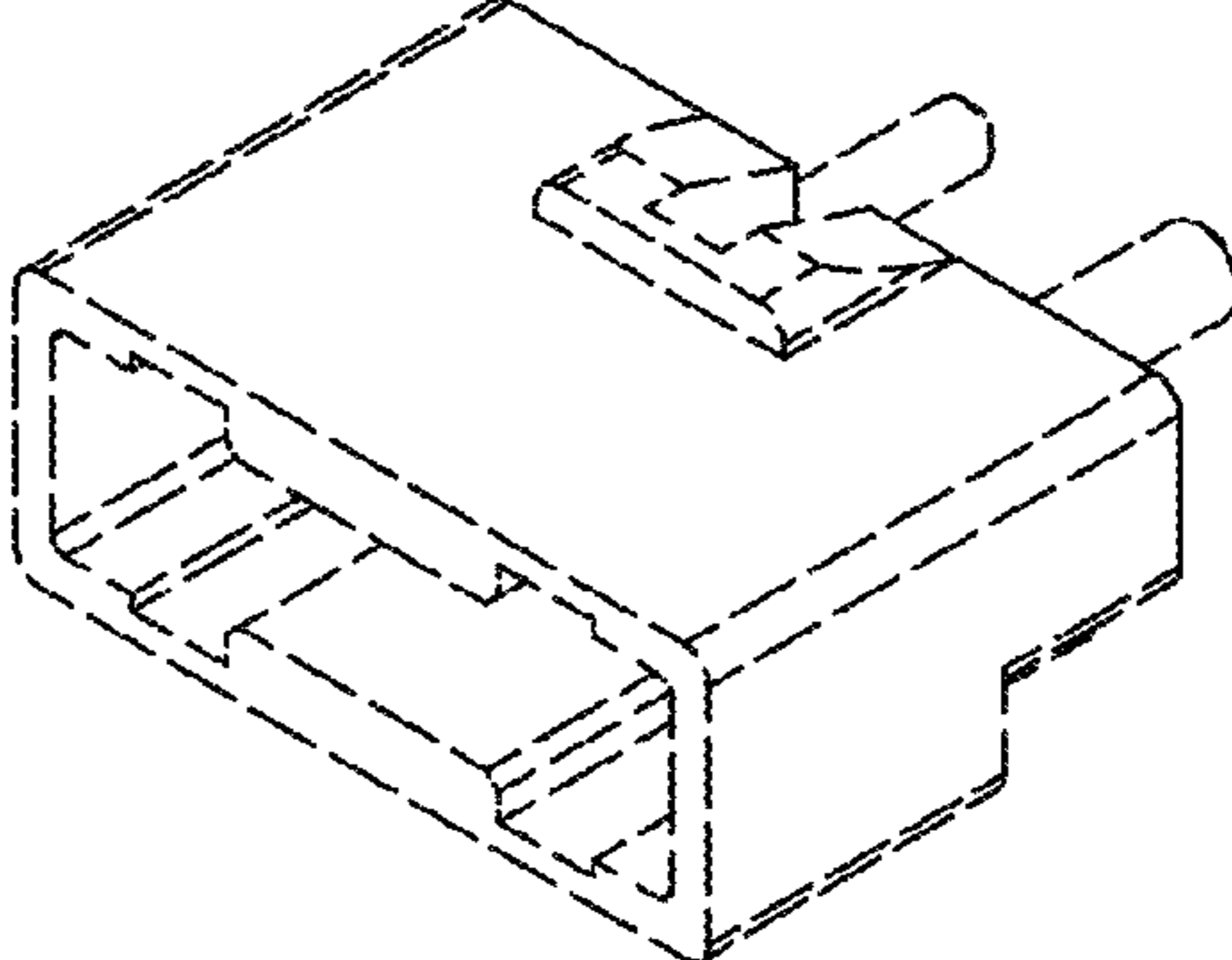


FIG. 2

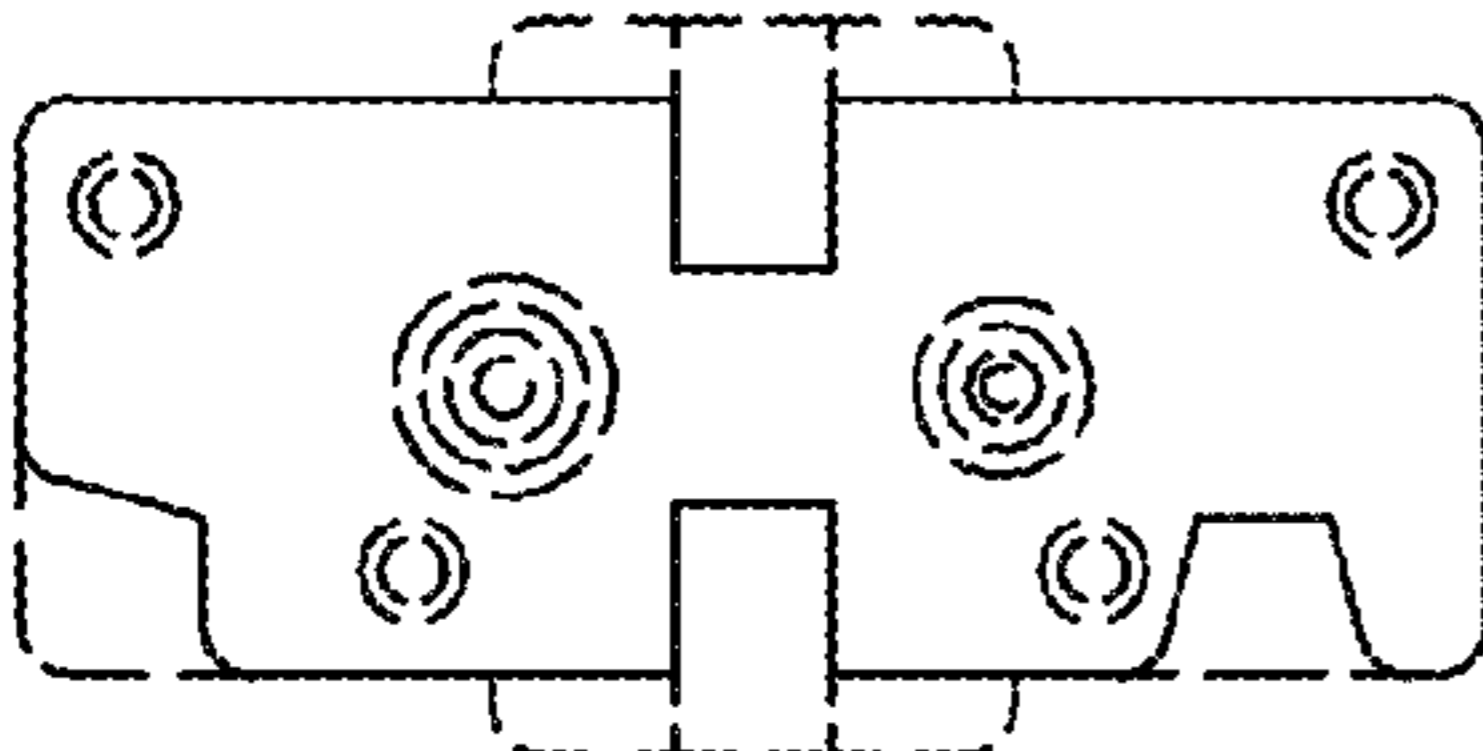


FIG. 3

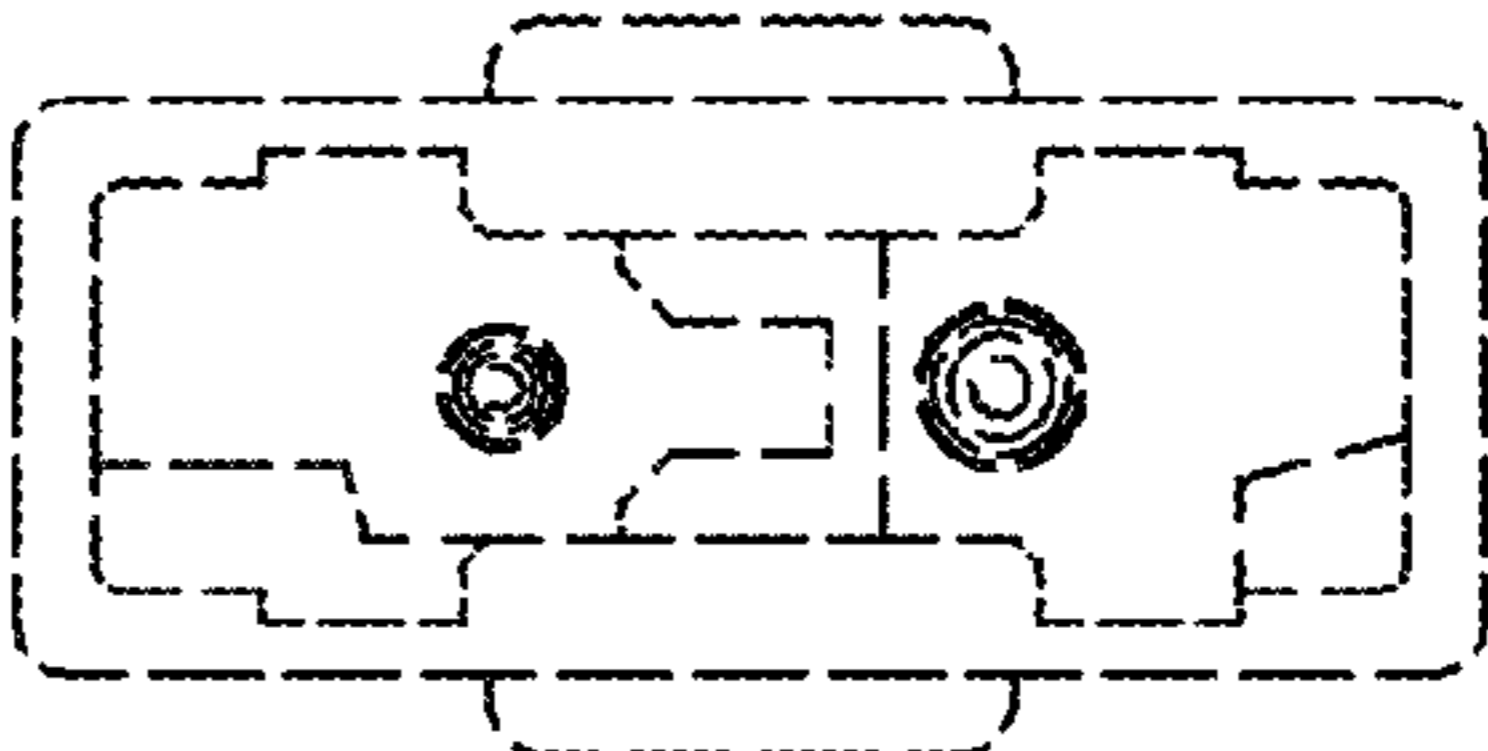


FIG. 4

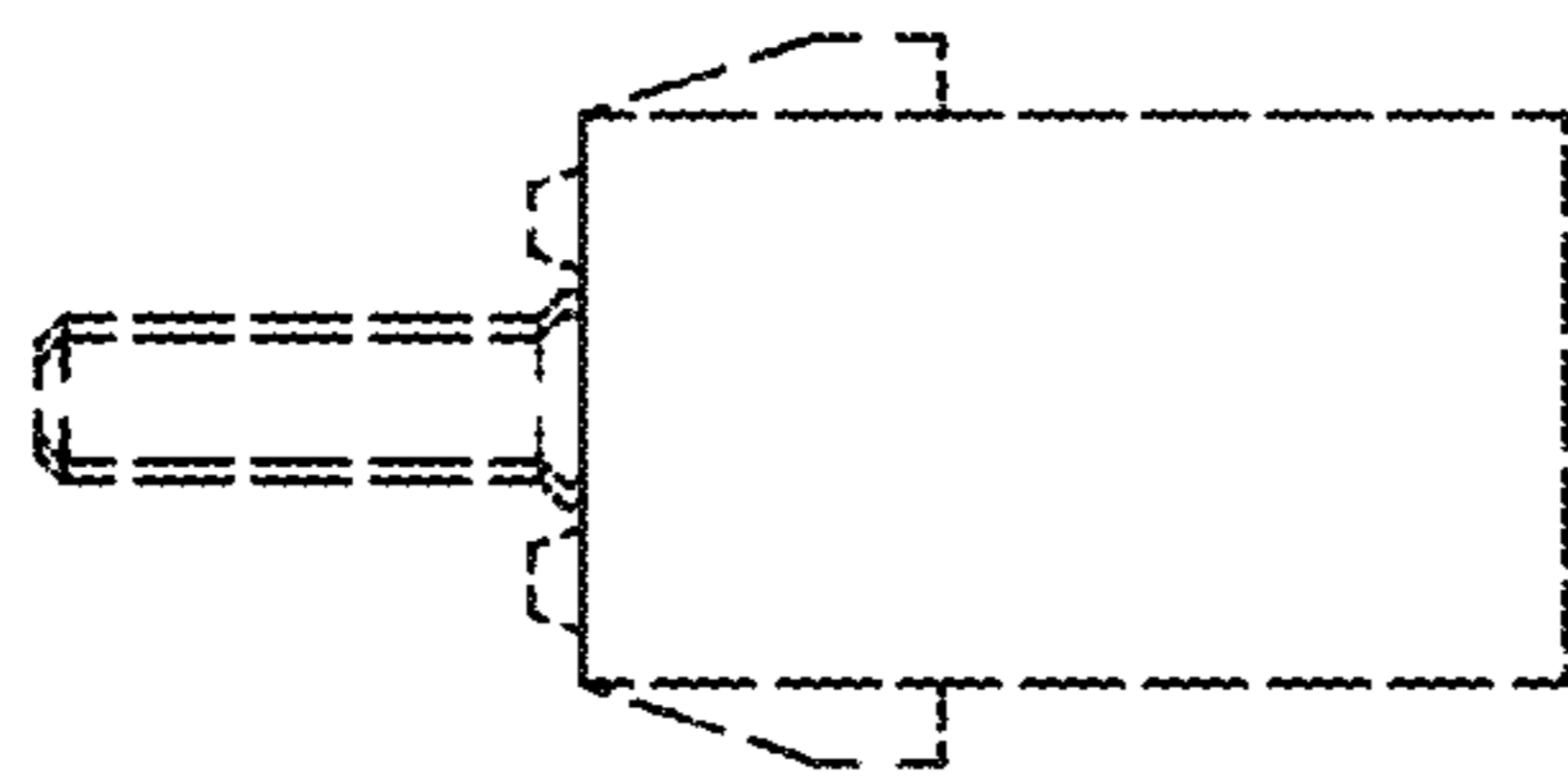


FIG. 5

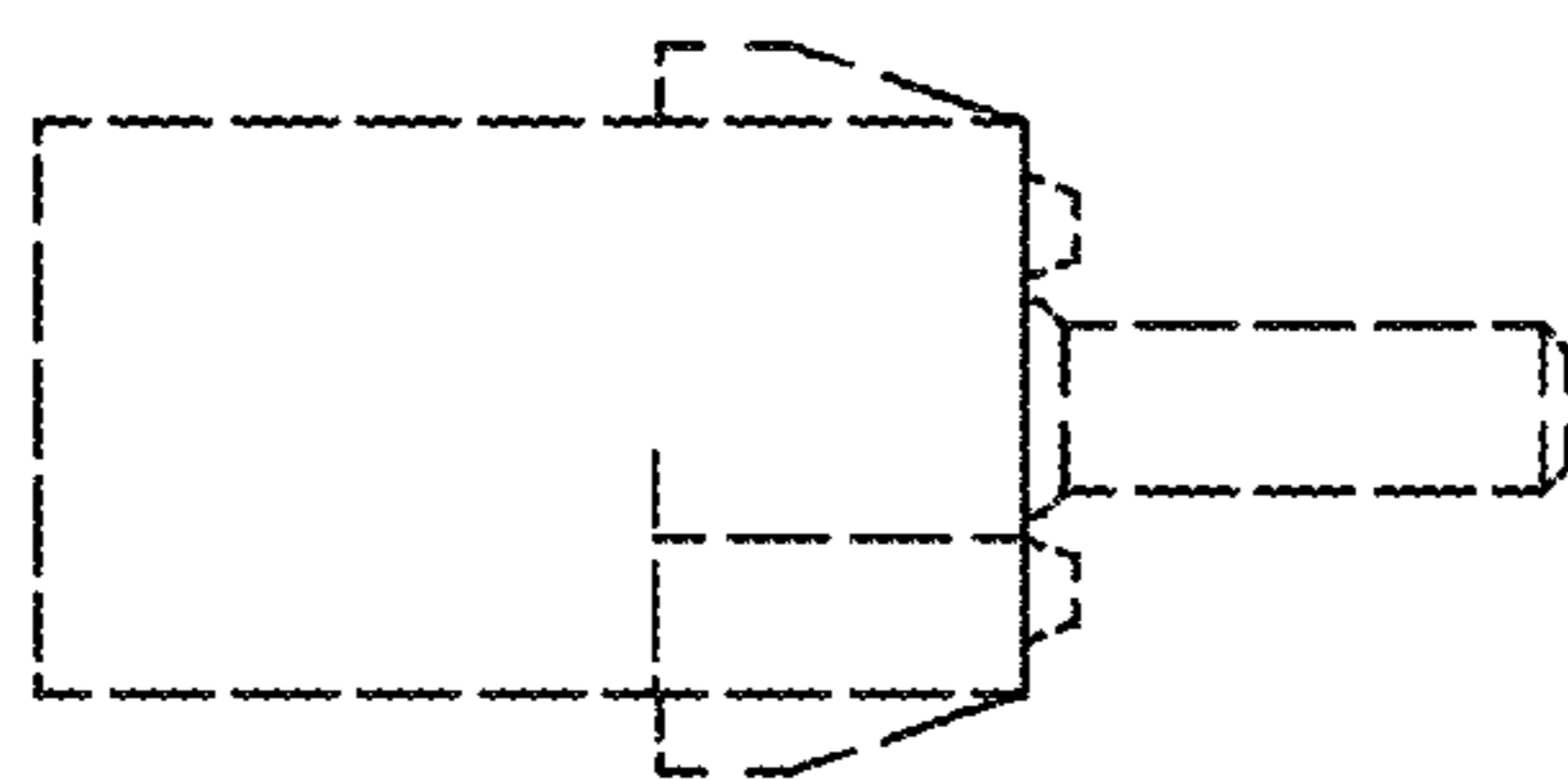


FIG. 6

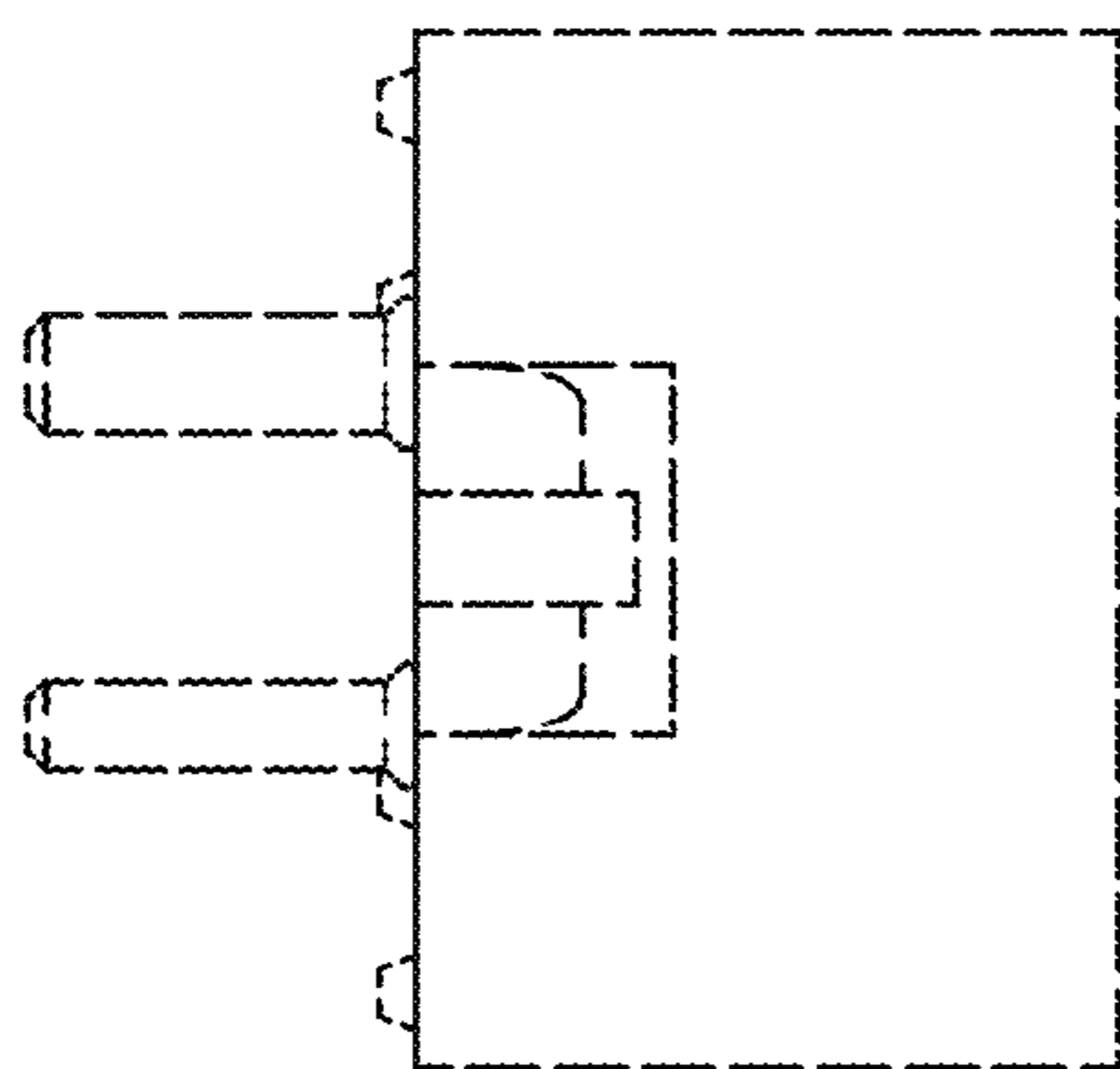


FIG. 7

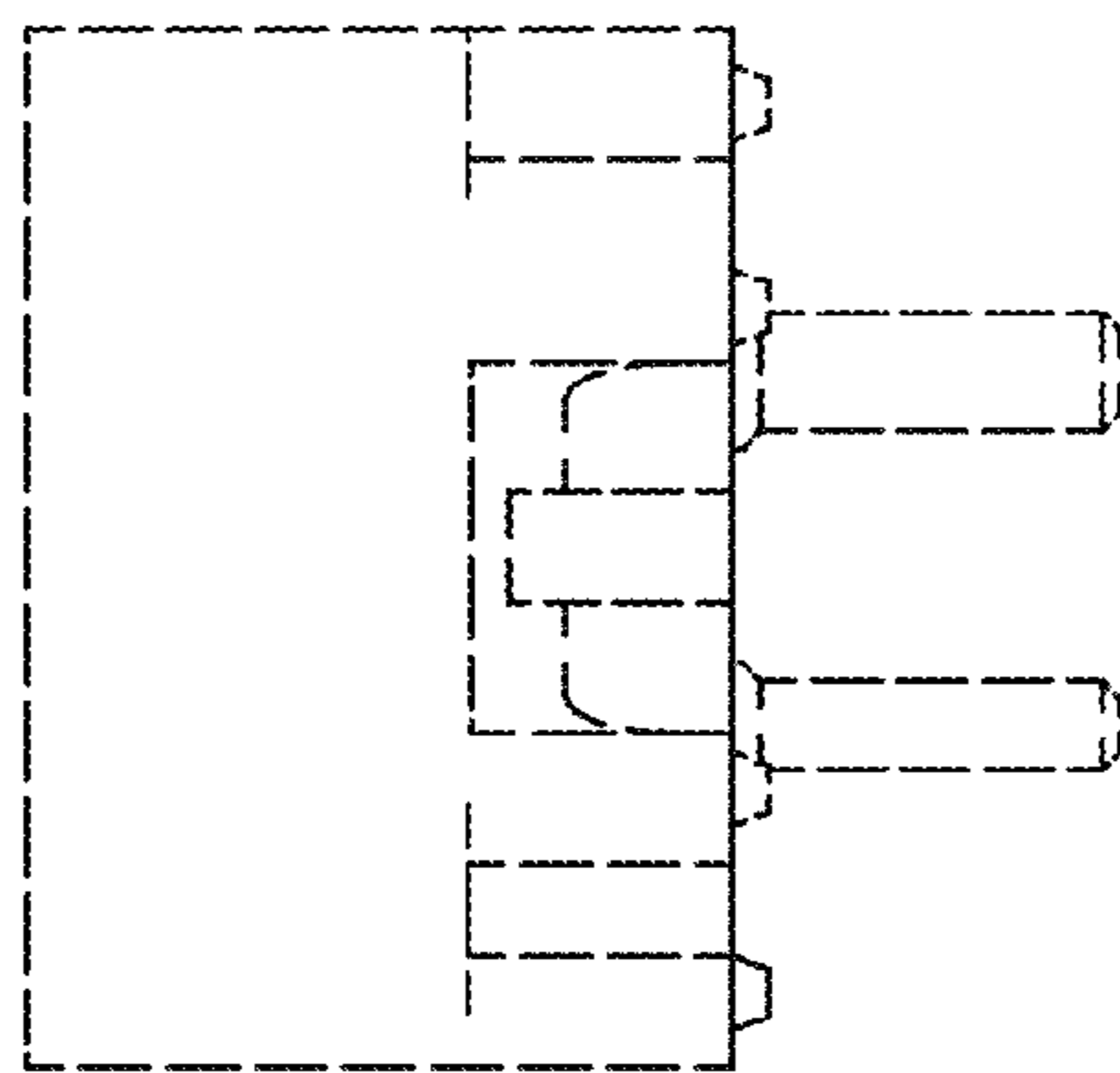


FIG. 8