



US00D757652S

(12) **United States Design Patent**
Halderman

(10) **Patent No.:** **US D757,652 S**

(45) **Date of Patent:** **** May 31, 2016**

(54) **PLASTIC INSULATOR FOR CONNECTING AN ELECTRIC FENCE WIRE TO A CORNER FENCE POST**

D583,333 S * 12/2008 Halderman D13/158
D727,854 S * 4/2015 Chance D13/156

* cited by examiner

(71) Applicant: **G. Alan Halderman**, New Paris, OH (US)

Primary Examiner — Daniel Bui

(72) Inventor: **G. Alan Halderman**, New Paris, OH (US)

(74) *Attorney, Agent, or Firm* — Jacox, Meckstroth & Jenkins

(**) Term: **14 Years**

(57) **CLAIM**

The ornamental design of a plastic insulator for connecting an electric fence wire to a corner fence post, as shown and described.

(21) Appl. No.: **29/504,757**

(22) Filed: **Oct. 9, 2014**

DESCRIPTION

(51) **LOC (10) Cl.** **13-03**

(52) **U.S. Cl.**
USPC **D13/129**

(58) **Field of Classification Search**
USPC D13/129–133, 146, 147, 154, 156, 184,
D13/199; 174/158 F

See application file for complete search history.

FIG. 1 is a perspective view of a plastic insulator for connecting an electric fence wire to a corner fence post showing my new design;

FIG. 2 is a front view thereof, the opposite back view being a mirror image;

FIG. 3 is a side view thereof; the opposite side view being a mirror image;

FIG. 4 is a view of one end thereof;

FIG. 5 is an opposite end view thereof; and,

FIG. 6 is a section view thereof, taken on the line 6-6 of FIGS. 4 and 5.

(56) **References Cited**

U.S. PATENT DOCUMENTS

D474,152 S * 5/2003 Burdick D13/132
6,563,055 B1 * 5/2003 Burdick H01B 17/145
174/138 G

1 Claim, 1 Drawing Sheet

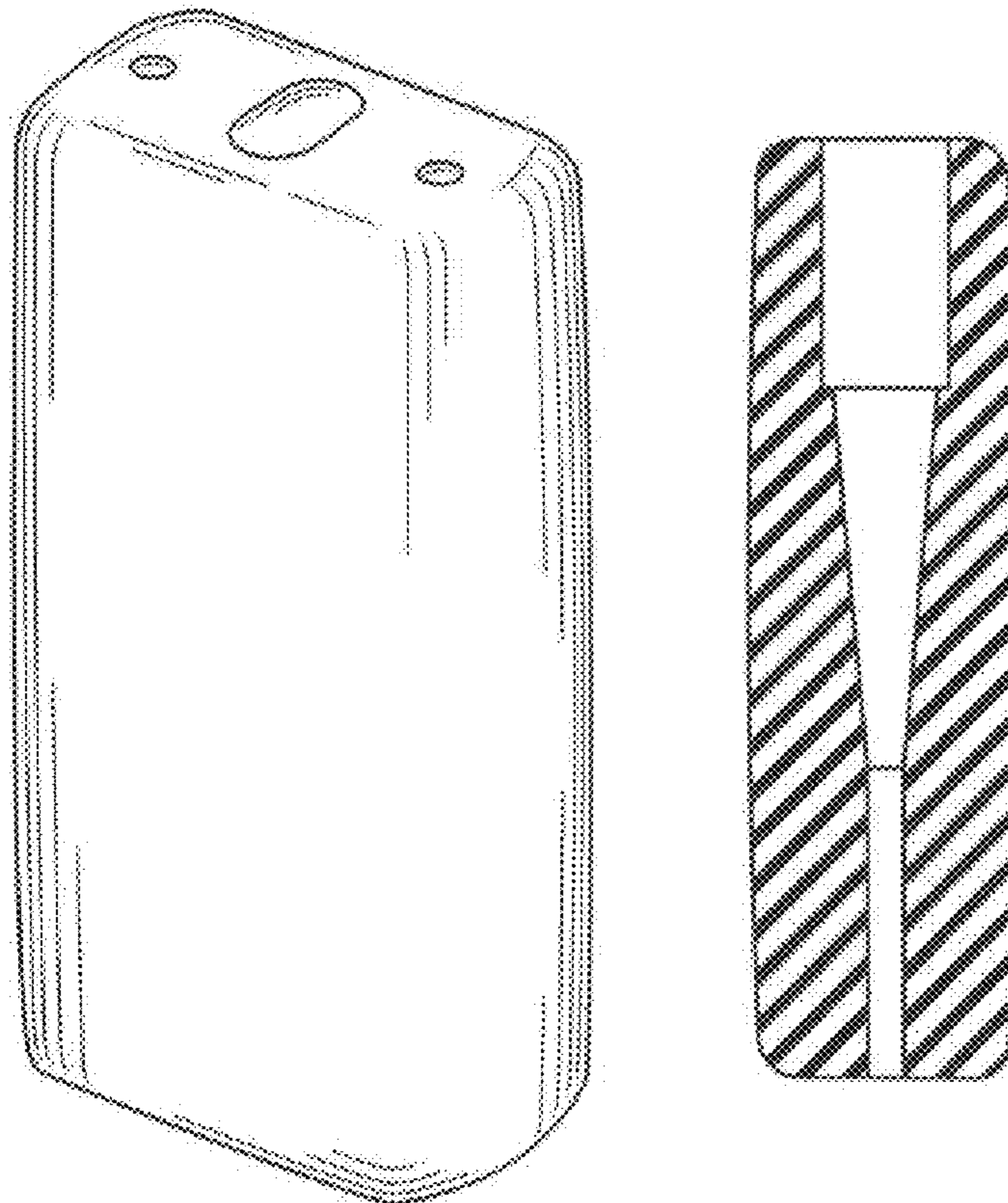


FIG. 1



FIG. 2

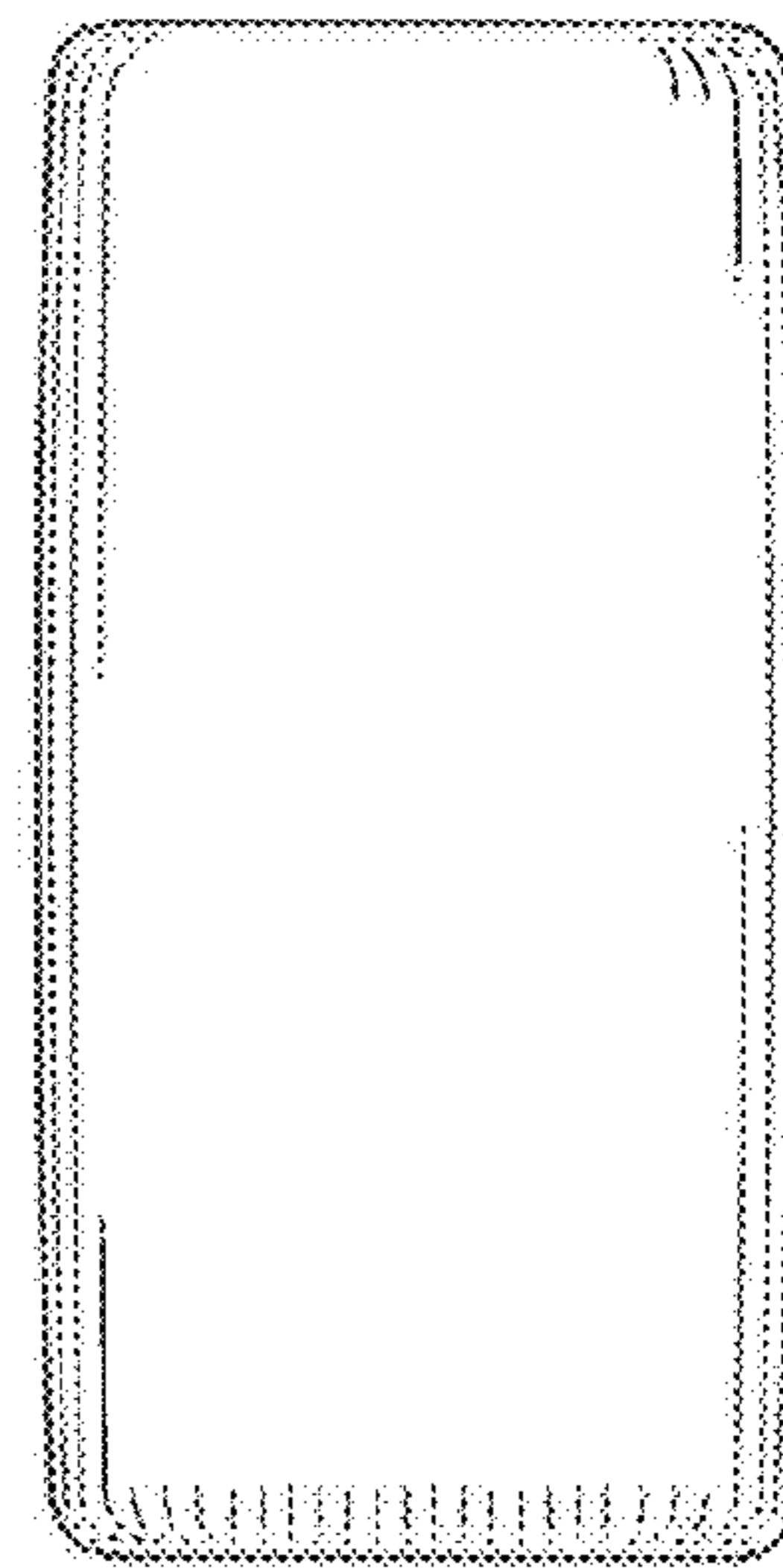


FIG. 3

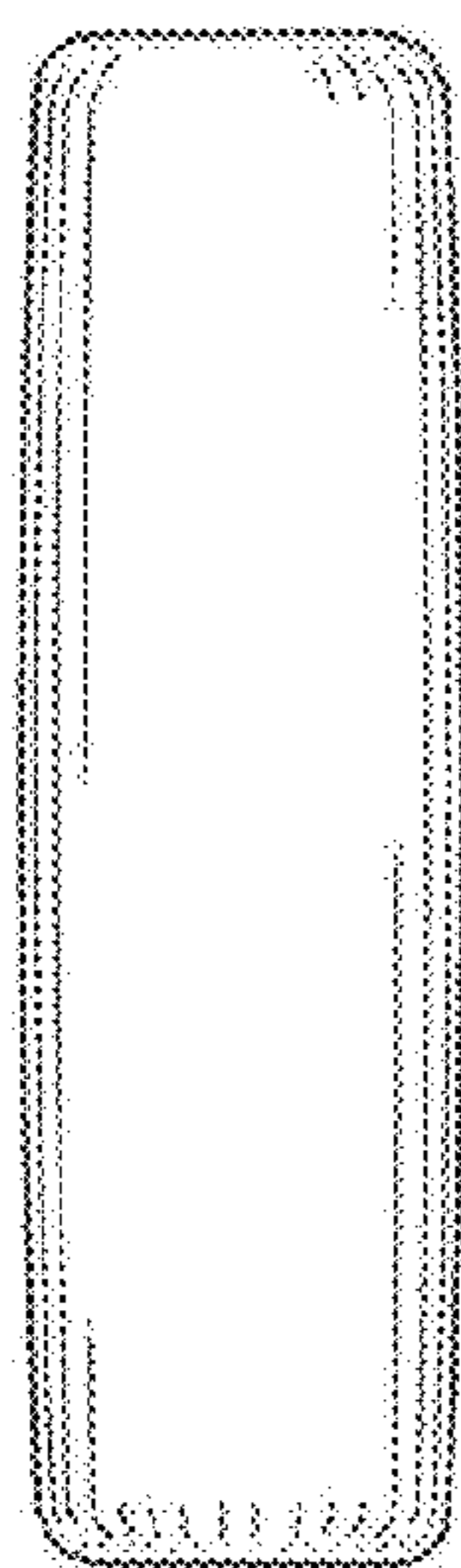


FIG. 4

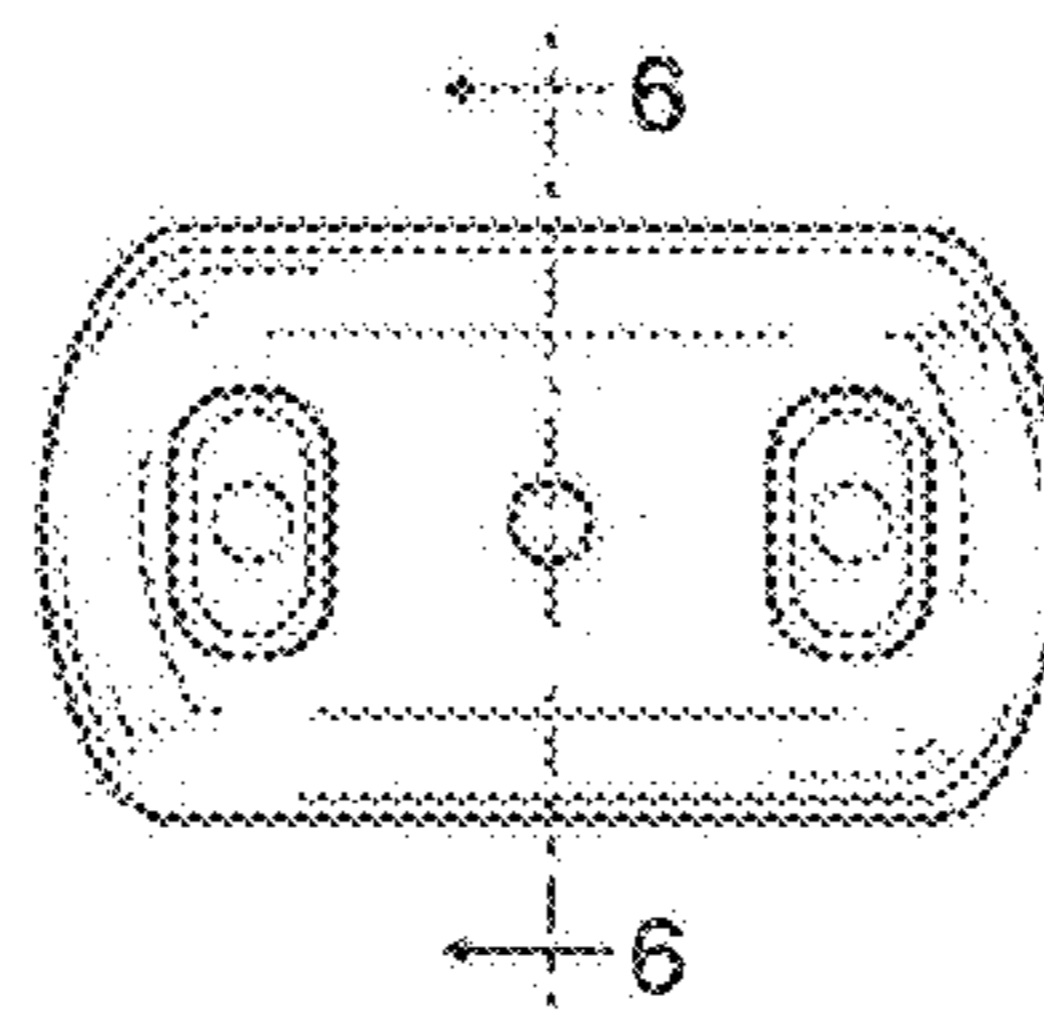


FIG. 6

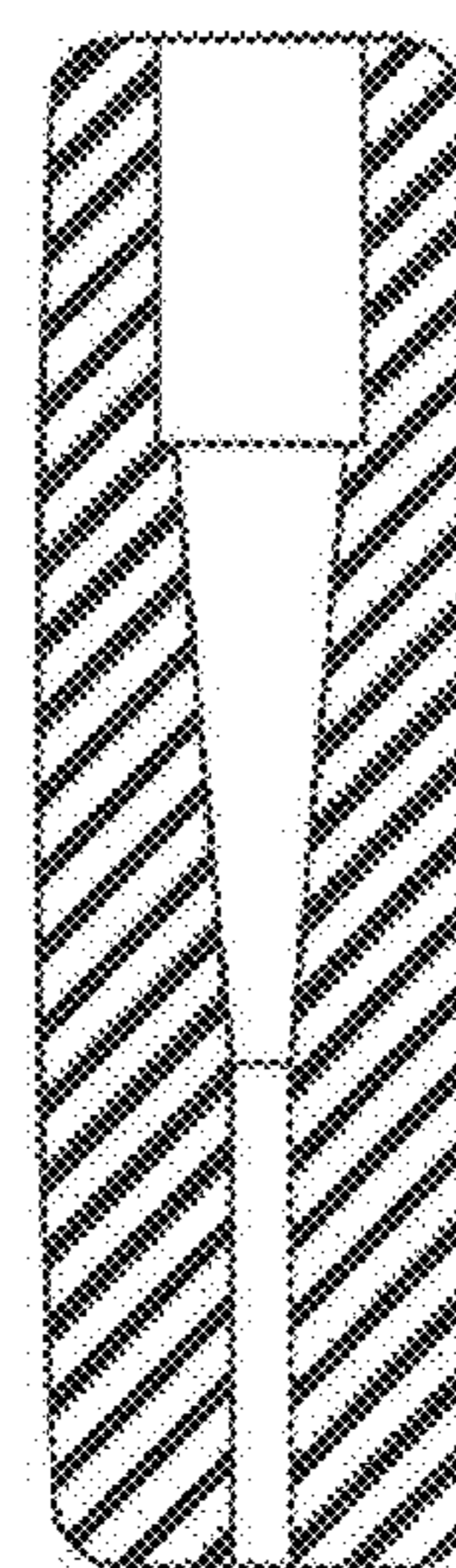


FIG. 5

