

US00D757651S

(12) **United States Design Patent**  
**Lane**

(10) **Patent No.:** **US D757,651 S**

(45) **Date of Patent:** **\*\* May 31, 2016**

(54) **TURBINE DEVICE**

(71) Applicant: **Robert Scott Lane**, Hickory, NC (US)

(72) Inventor: **Robert Scott Lane**, Hickory, NC (US)

(\*\*) Term: **14 Years**

(21) Appl. No.: **29/497,318**

(22) Filed: **Jul. 23, 2014**

(51) **LOC (10) Cl.** ..... **13-01**

(52) **U.S. Cl.**

USPC ..... **D13/115**

(58) **Field of Classification Search**

USPC ..... D13/115, 118, 122, 199; D12/344, 345;  
D15/1, 5, 7, 123, 138; D21/453, 458;  
290/44, 52, 54, 55; 415/199.4, 916;  
416/24, 31, 37, 38, 132 B, 132 R, 141,  
416/142, 176, 177, 186 R, 196 A, 223 A  
CPC ..... F03D 1/00; F03D 1/06; F03D 1/0625;  
F03D 1/0633; F03D 3/00; F03D 3/002;  
F03D 3/005; F03D 3/02; F03D 3/04; F03D  
3/06

See application file for complete search history.

(56) **References Cited**

U.S. PATENT DOCUMENTS

D274,815 S \* 7/1984 Ehrler et al. .... D15/17  
5,336,933 A \* 8/1994 Ernster ..... 290/55  
D605,115 S \* 12/2009 Starck ..... D13/115  
D689,820 S \* 9/2013 Blevio, Sr. .... D13/115  
2012/0211992 A1 \* 8/2012 Boone ..... 290/55

\* cited by examiner

*Primary Examiner* — Derrick Holland

(74) *Attorney, Agent, or Firm* — Monty Simmons; Simmons Patents

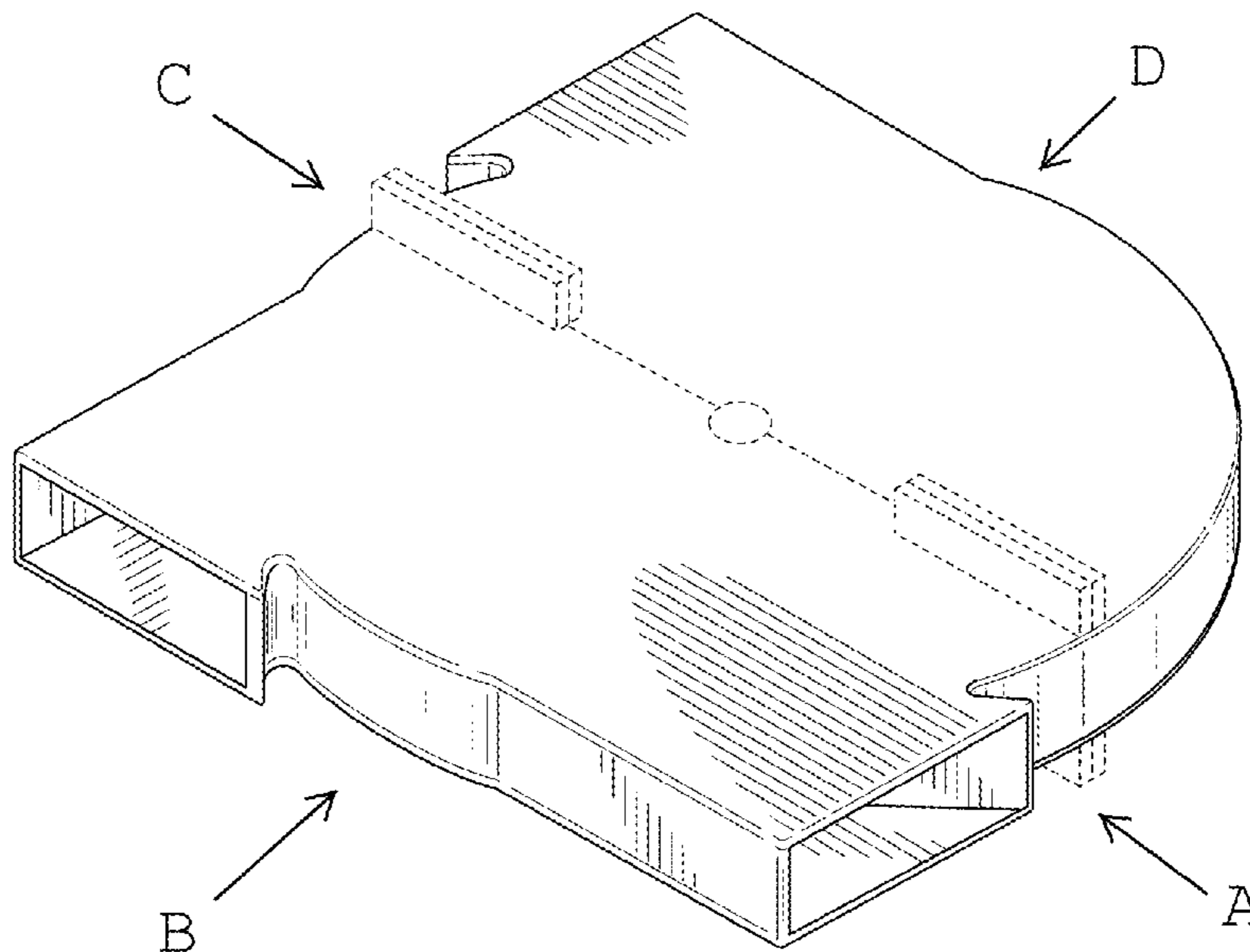
(57) **CLAIM**

The ornamental design for a turbine device, as shown and described.

**DESCRIPTION**

FIG. 1 is a perspective view of a turbine device showing my new design;  
FIG. 2 is a top plan view thereof;  
FIG. 3 is a bottom plan view thereof;  
FIG. 4 is a side A elevation view thereof;  
FIG. 5 is a side B elevation view thereof;  
FIG. 6 is a side C elevation view thereof; and,  
FIG. 7 is a side D elevation view thereof.  
The broken lines in the drawing illustrate environmental structure and portions of the turbine device that forms no part of the claimed design.

**1 Claim, 5 Drawing Sheets**



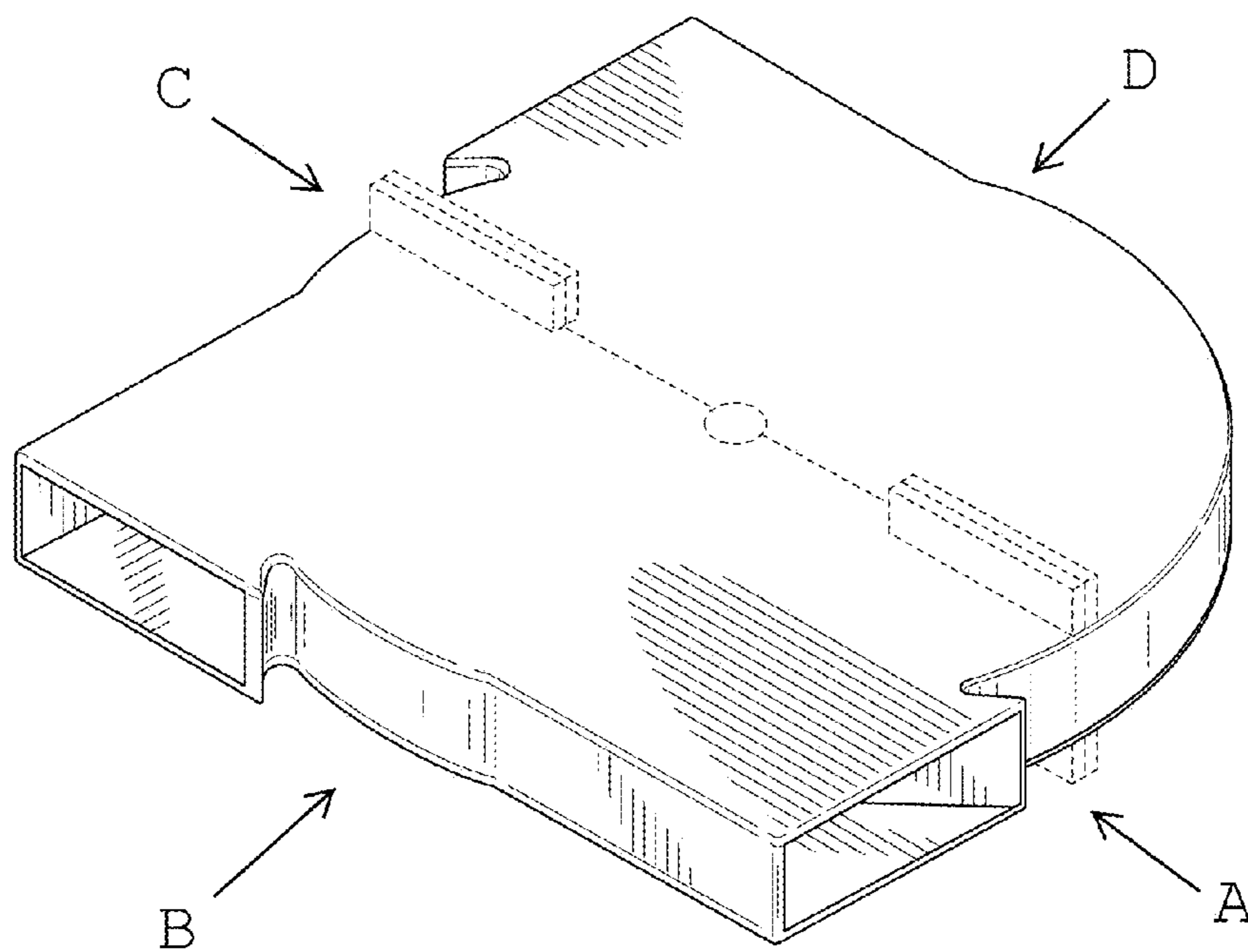


FIG. 1

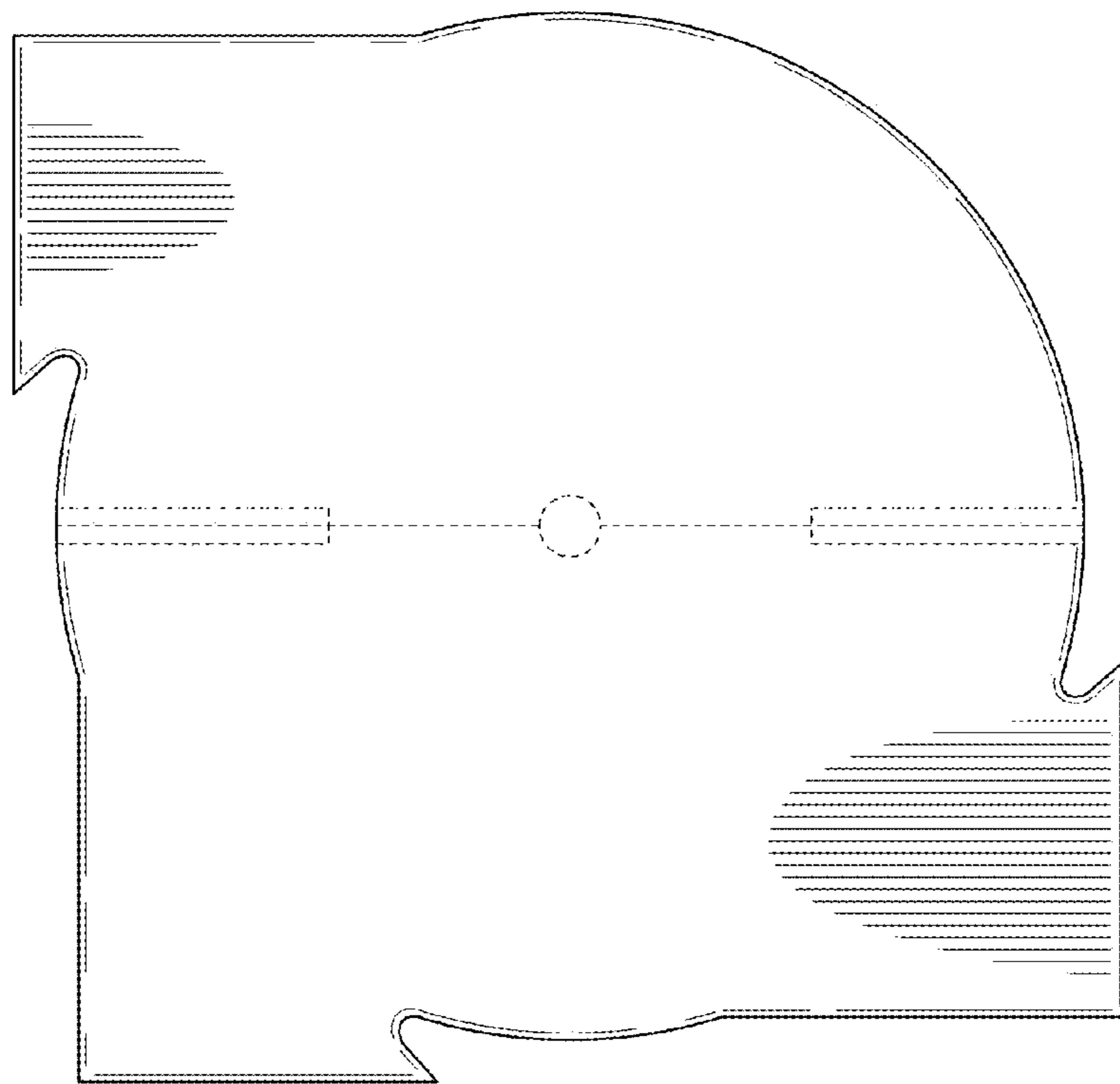


FIG. 2

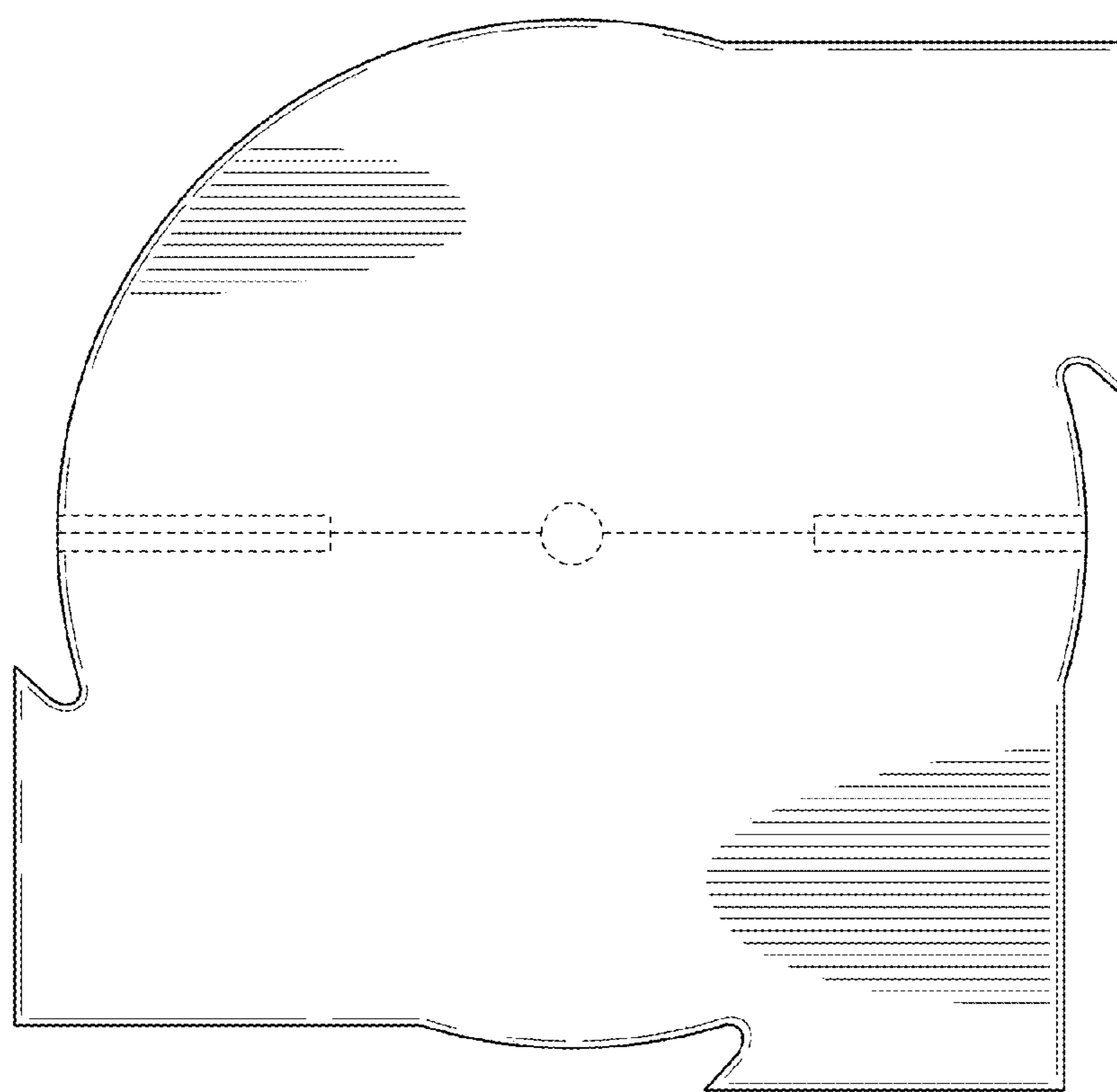
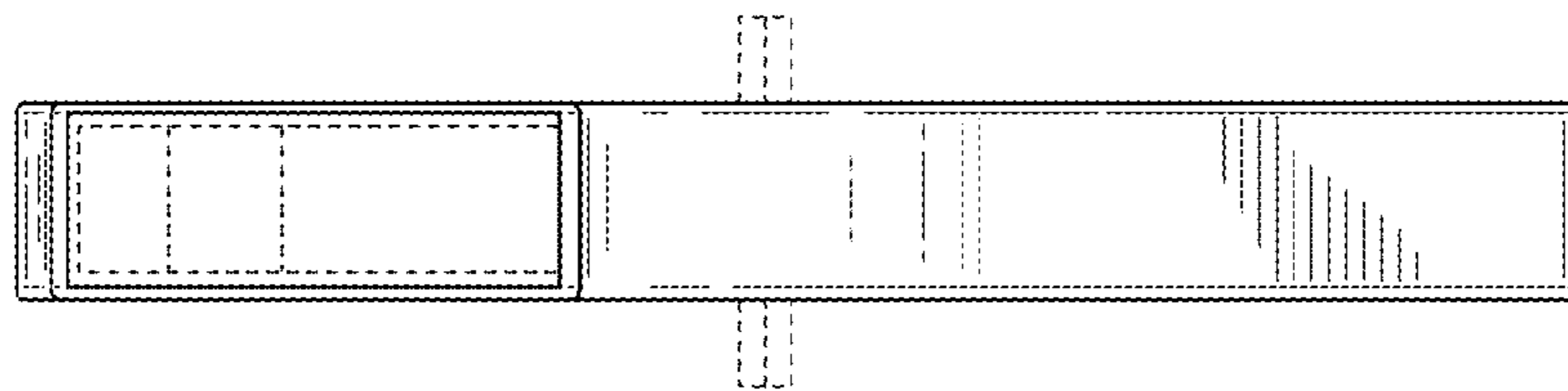
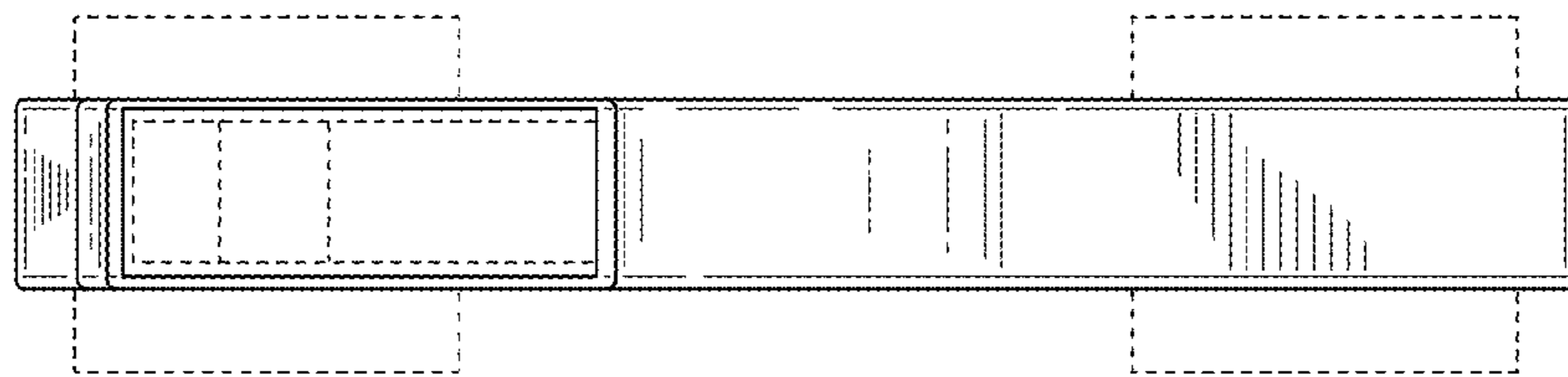


FIG. 3



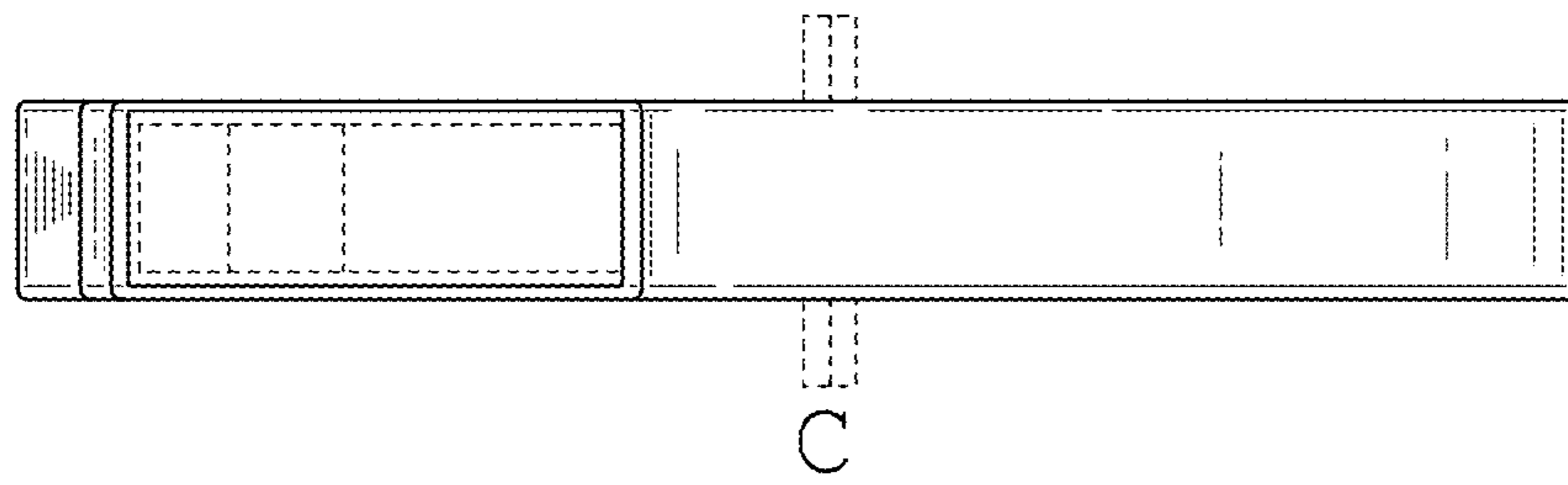
A

**FIG. 4**

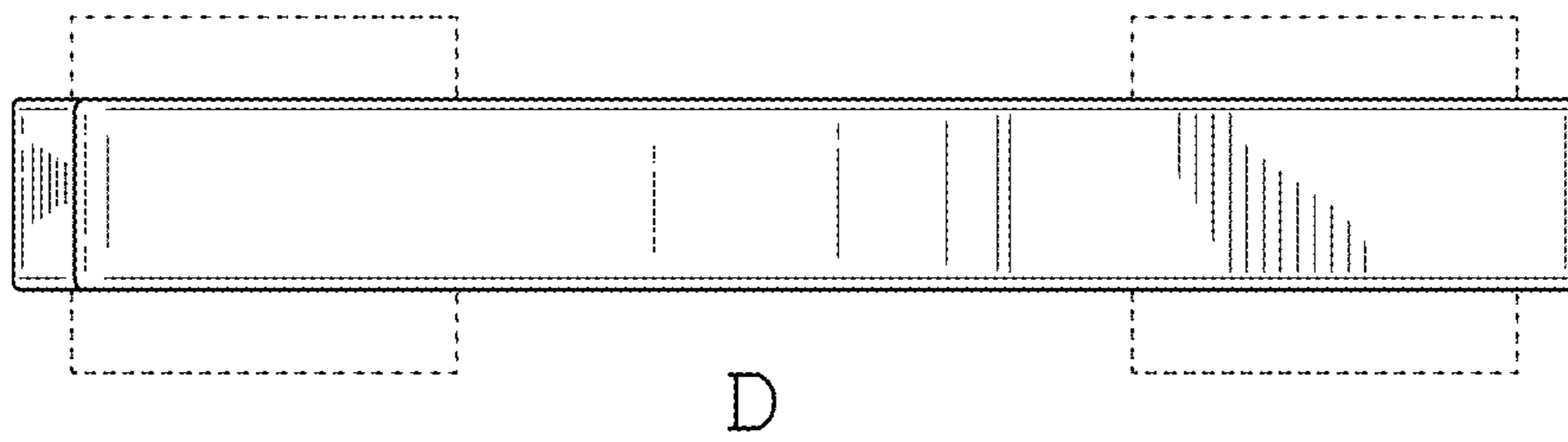


B

**FIG. 5**



**FIG. 6**



**FIG. 7**