

US00D757648S

(12) **United States Design Patent**
Leabman

(10) **Patent No.:** **US D757,648 S**
(45) **Date of Patent:** **** May 31, 2016**

(54) **TABLE TOP WIRELESS POWER TRANSMITTER WITH SLIDE-IN WINGS**

(71) Applicant: **ENERGOUS CORPORATION**, San Jose, CA (US)

(72) Inventor: **Michael A. Leabman**, San Ramon, CA (US)

(73) Assignee: **Energous Corporation**, San Jose, CA (US)

(**) Term: **14 Years**

(21) Appl. No.: **29/498,694**

(22) Filed: **Aug. 6, 2014**

(51) **LOC (10) Cl.** **13-02**

(52) **U.S. Cl.**
USPC **D13/108; D14/240**

(58) **Field of Classification Search**
USPC D14/242, 240, 435.1, 357, 358, D14/140-140.9, 155, 137, 139, 243, 348, D14/349, 351, 354, 355; D13/102-110, D13/118-119, 184, 199

CPC H04L 12/00; H03K 17/00; H04W 88/00; H04W 88/005; H04W 88/02; H04W 88/08; H04W 88/085; H04W 88/10; H04W 88/12; H04W 88/14; H04B 1/38; Y02E 60/12; Y02E 60/10; Y02E 60/122; Y02E 90/124; Y02E 60/50; Y02T 90/14; Y02T 90/122; Y02T 90/128; Y02T 90/163; H02J 7/025; H02J 7/0042; H02J 7/0044; H02J 7/0045; H02J 7/0003; H02J 7/00; H02J 7/0011; H02J 7/0013; H02J 7/0054; H02J 7/0055; H02J 7/0057; H02J 2007/0062; H01F 38/14; H01R 13/6675; H01M 2/02; H01M 2/022; H01M 2/0202; H01M 2/0207; H01M 2/0212; H01M 2/1061; H01M 2/1022; H01M 2/1055; H01M 2/1066; H01M 2/105; H01M 2/20; H01M 2/202; H01M 2/204; H01M 2/206; H01M 10/44; H01M 10/46; H01M 10/465; H01M 10/482; H01M 10/425; H01M 2200/30; H01M 2250/30; H01M 2250/40; B60L 11/182

See application file for complete search history.

(56) **References Cited**

U.S. PATENT DOCUMENTS

D247,619 S	3/1978	Edgell et al.	
D367,257 S	2/1996	Buelow et al.	
5,611,701 A	3/1997	Hahn	
D471,540 S *	3/2003	Tomino	D14/240
D596,562 S	7/2009	Hong et al.	
D603,834 S *	11/2009	Lyman	D14/155
D621,391 S *	8/2010	Douglas	D14/240
D621,780 S *	8/2010	Ferber	D13/108
D638,356 S	5/2011	Chen	
D652,381 S	1/2012	Tien	
D669,029 S	10/2012	Huang	
D686,152 S	7/2013	Lee et al.	

(Continued)

Primary Examiner — Rosemary K Tarcza

Assistant Examiner — Sanjeev Paul

(74) *Attorney, Agent, or Firm* — Eric L. Sophir; Dentons US LLP

(57) **CLAIM**

The ornamental design for a table top wireless power transmitter with slide-in wings, as shown and described.

DESCRIPTION

FIG. 1 is a front perspective view of a table top wireless power transmitter with slide-in wings;

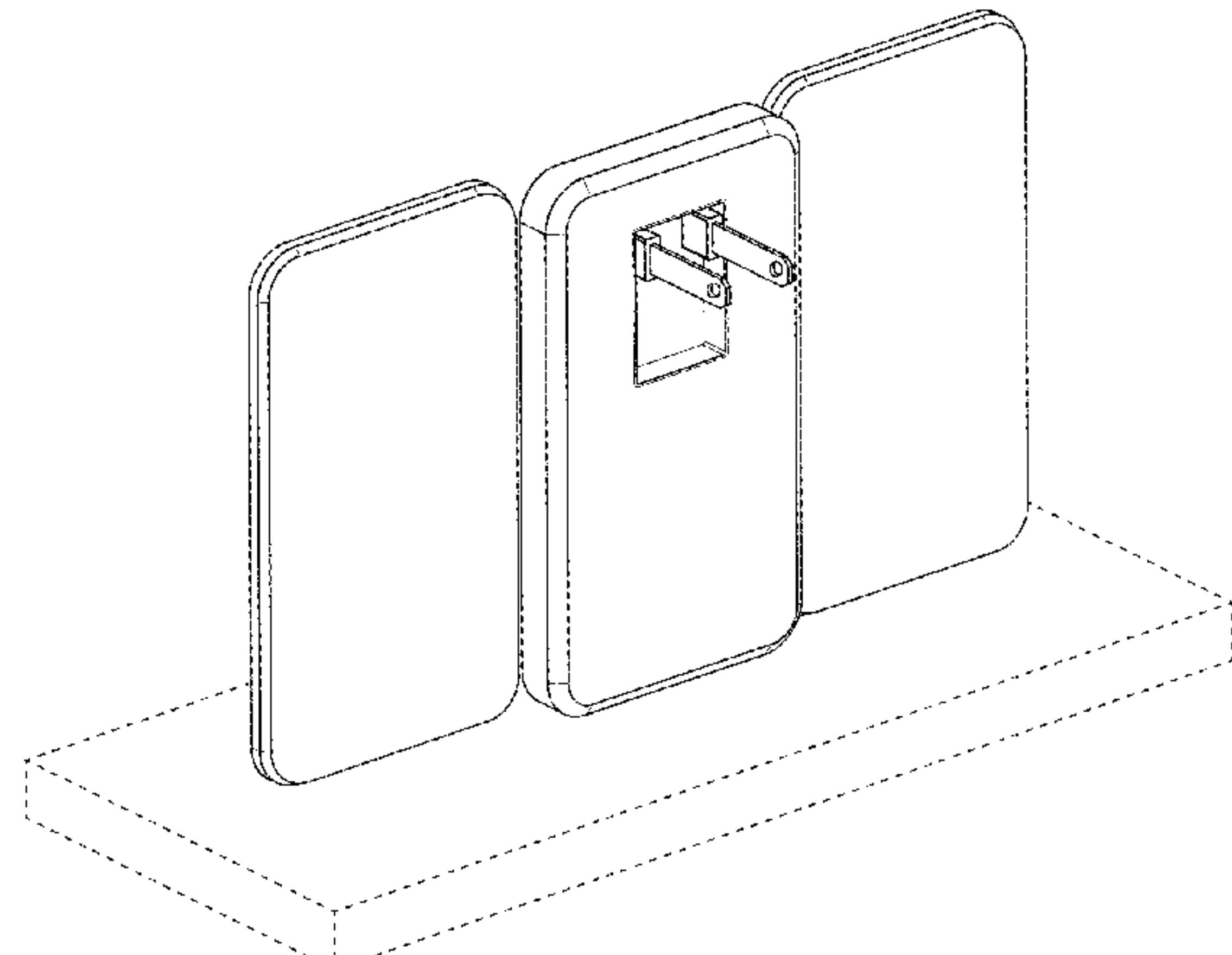
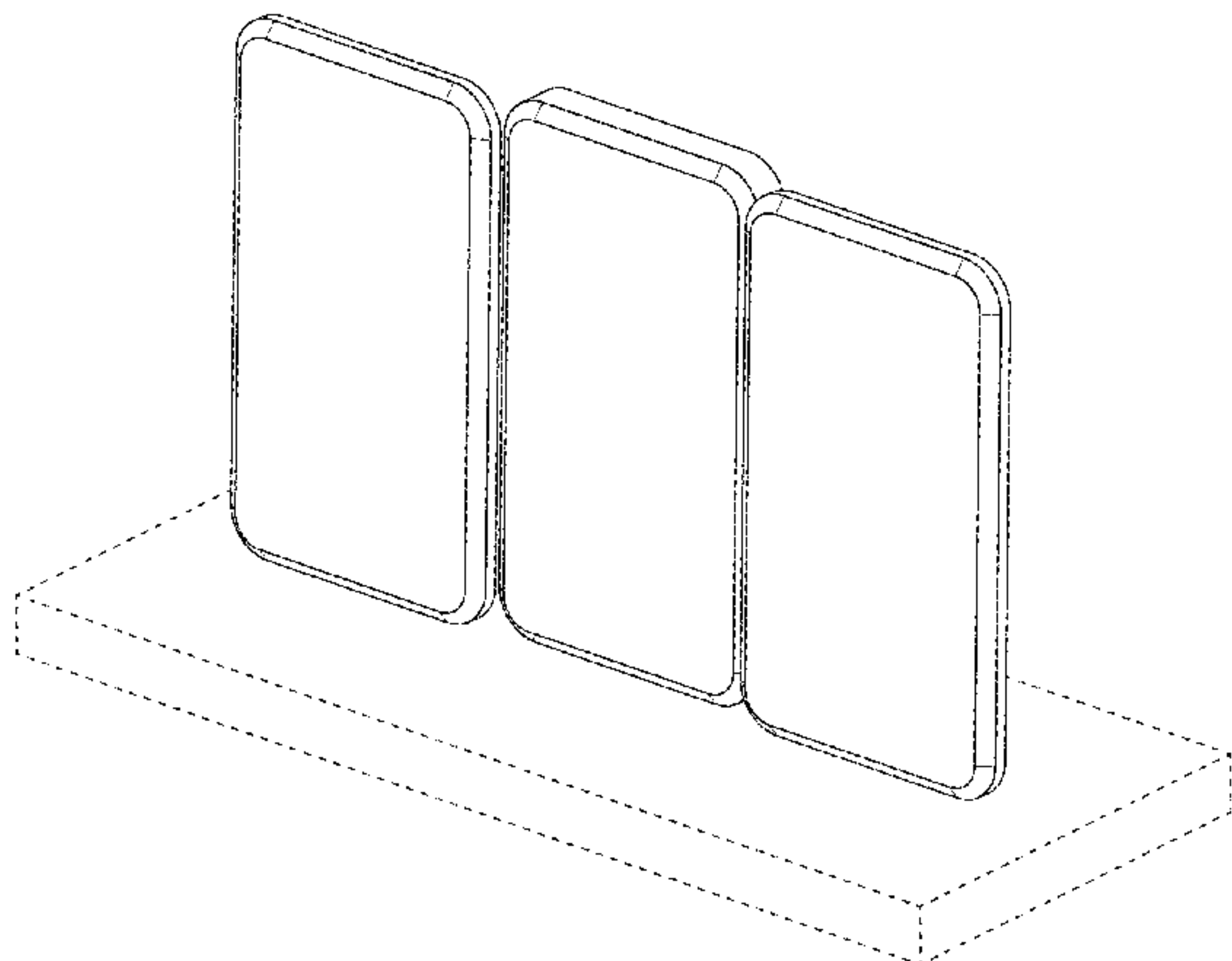
FIG. 2 is a rear perspective view of a table top wireless power transmitter with slide-in wings;

FIG. 3 is top view of a table top wireless power transmitter with slide-in wings; and,

FIG. 4 is a side view of FIG. 1.

Applicant disclaims those portions of the antenna arrangement not shown in the drawings as forming no part of the claimed design. Those portions of the wireless power transmitter shown in broken lines in the drawing form no part of the claimed design.

1 Claim, 3 Drawing Sheets



US D757,648 S

Page 2

(56)

References Cited

U.S. PATENT DOCUMENTS

D687,374 S 8/2013 Biedermann et al.

D693,798 S * 11/2013 Chuang D14/240
D707,666 S * 6/2014 Ting D14/240
D720,691 S * 1/2015 Lo D13/110

* cited by examiner

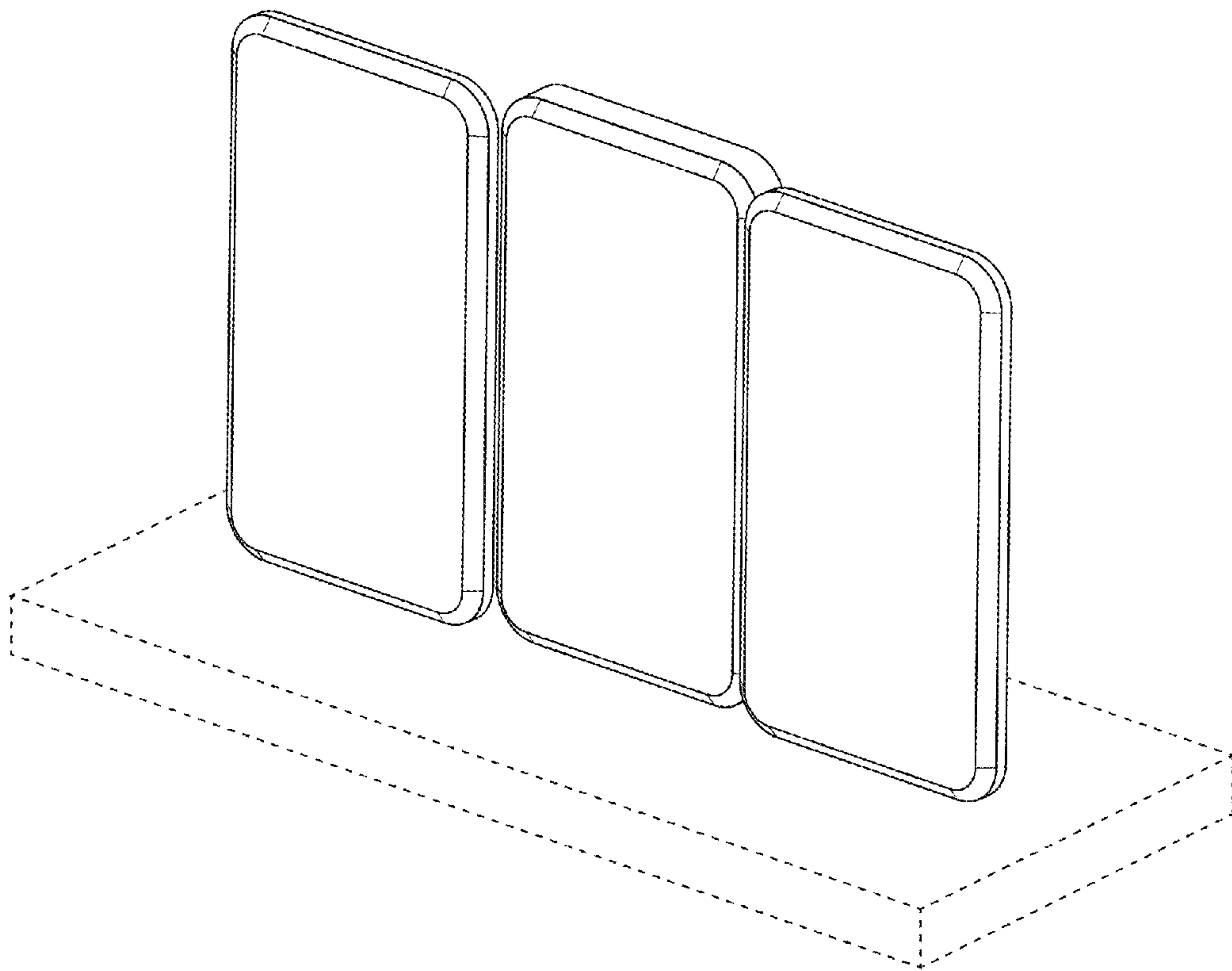


FIG. 1

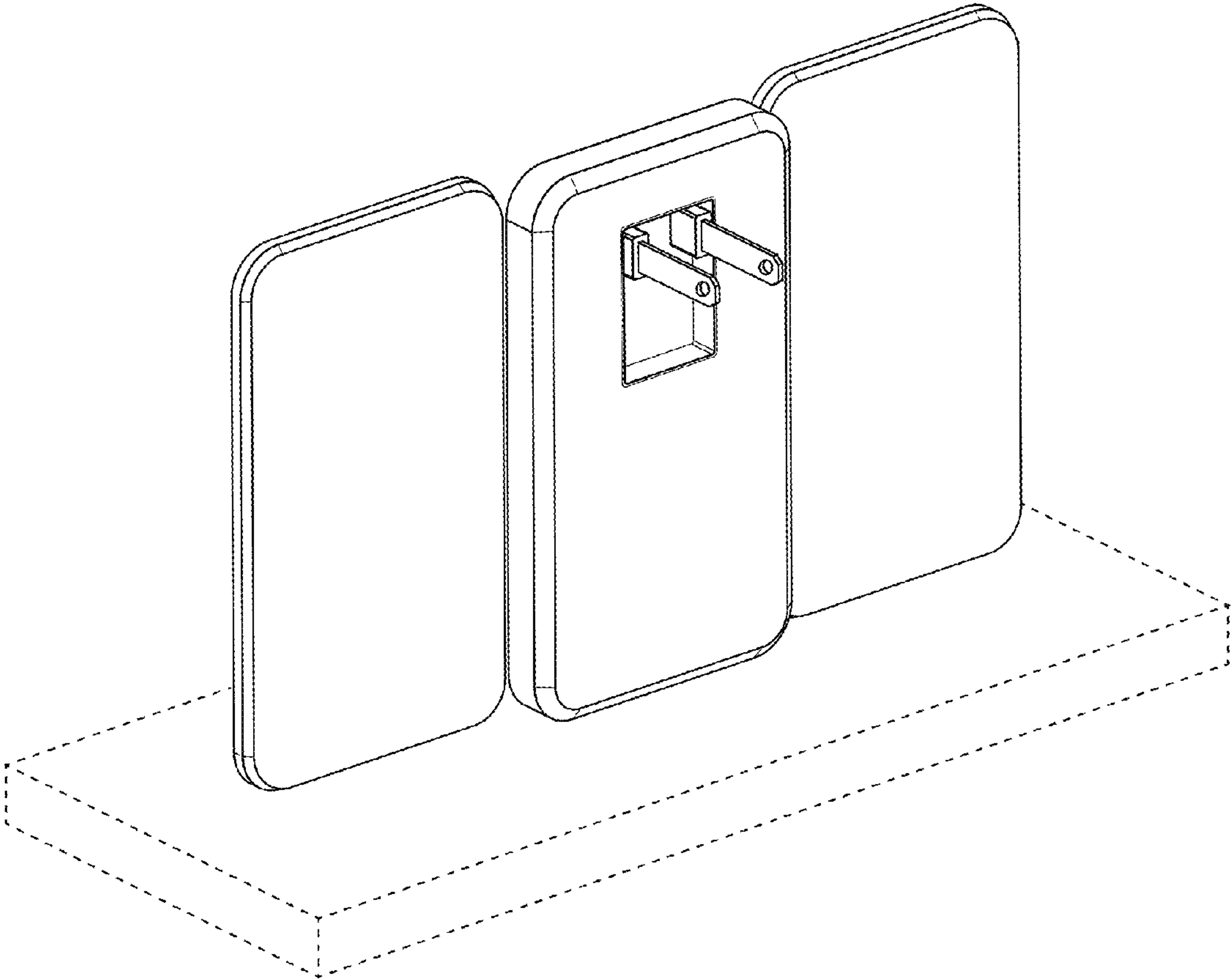


FIG. 2

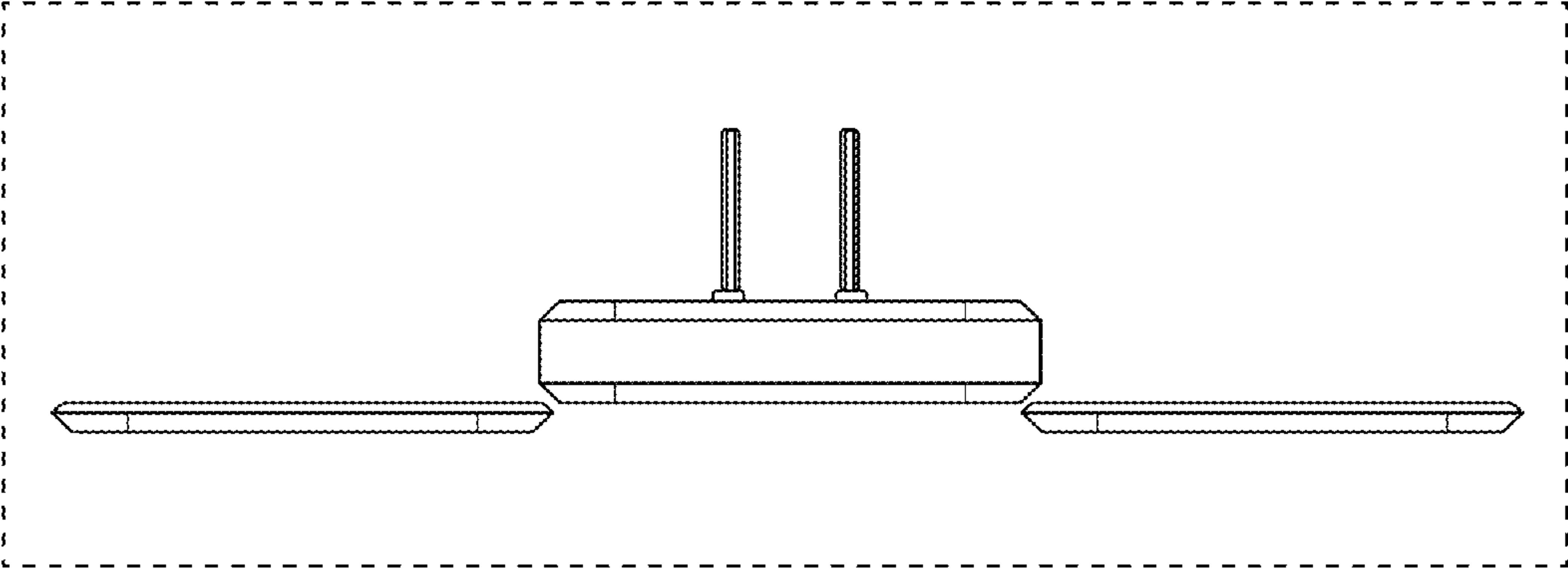


FIG. 3

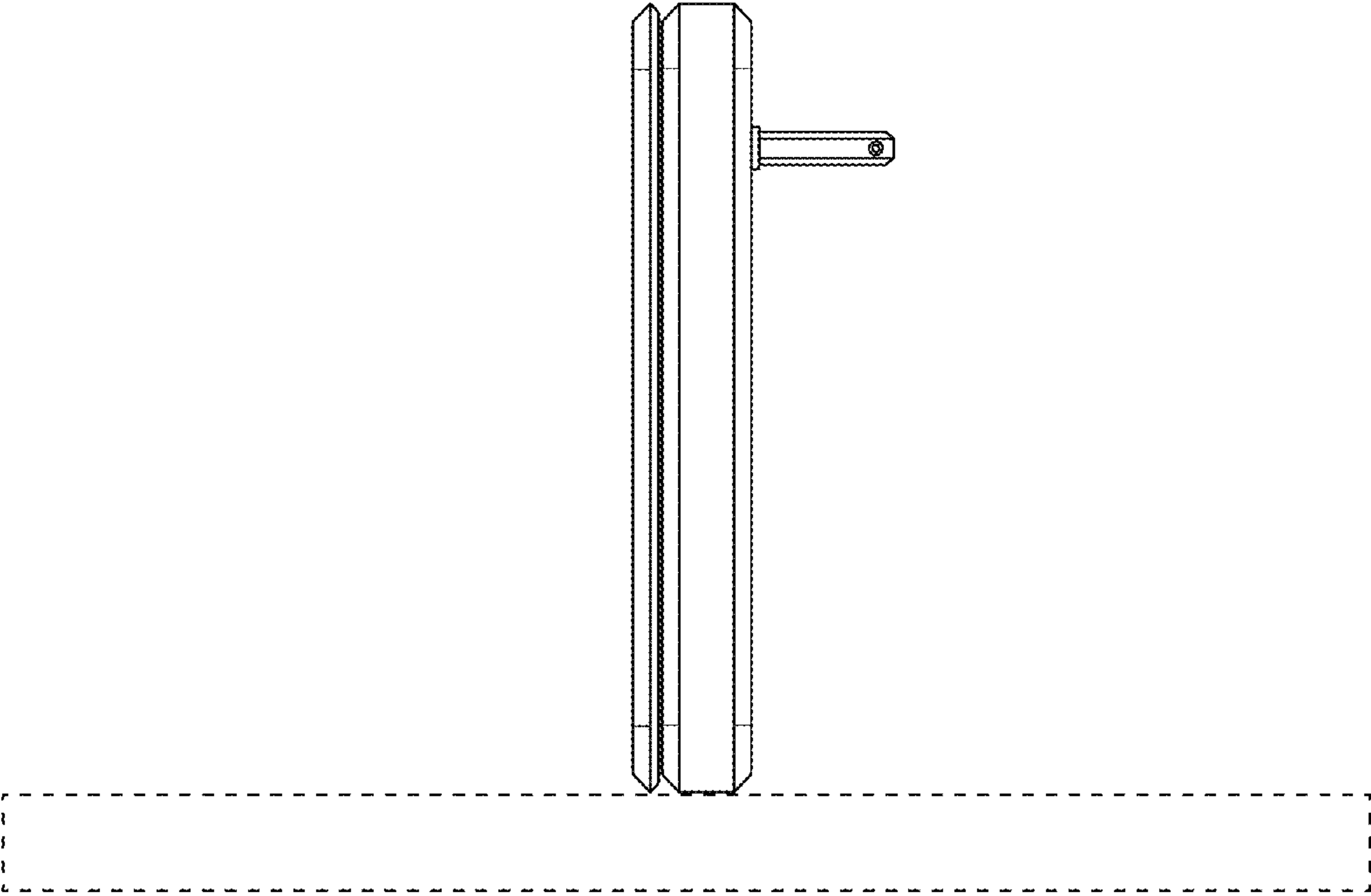


FIG. 4