



US00D757647S

(12) **United States Design Patent**
Engel

(10) **Patent No.:** **US D757,647 S**

(45) **Date of Patent:** **** May 31, 2016**

(54) **CHARGING STATION**

(71) Applicant: **Robert George Engel**, Chicago, IL (US)

(72) Inventor: **Robert George Engel**, Chicago, IL (US)

(**) Term: **14 Years**

(21) Appl. No.: **29/515,119**

(22) Filed: **Jan. 20, 2015**

(51) **LOC (10) Cl.** **13-02**

(52) **U.S. Cl.**
USPC **D13/107**

(58) **Field of Classification Search**
USPC D13/107–110, 118, 119, 133, 144, 184;
D14/251, 253, 432, 434; 320/107–115
CPC Y02E 60/12; Y02T 90/14; Y02T 90/122;
Y02T 90/128; Y02T 90/163; H02J 7/025;
H02J 7/042; H02J 7/044; H02J 7/0003;
H02J 7/0027; H02J 7/0013; H02J 7/0054;
H02J 7/00; H01F 38/14; H01R 13/6675;
H01M 2/1022; H01M 2/1055; H01M 10/44;
H01M 10/46; H01M 10/425; B60L 11/182;
B60L 11/1809; B60L 11/1861; B60R 16/03
See application file for complete search history.

(56) **References Cited**

U.S. PATENT DOCUMENTS

D609,636 S * 2/2010 Jensen D13/108
D645,818 S * 9/2011 Guccione D13/108

D694,182 S * 11/2013 Lee D13/108
D718,234 S * 11/2014 Rautiainen D13/108
D718,236 S * 11/2014 Murray D13/108
D720,289 S * 12/2014 Chiang D13/108
D735,131 S * 7/2015 Akana D13/108
D737,762 S * 9/2015 Aumiller D13/108
D738,823 S * 9/2015 Chen D13/108
D740,750 S * 10/2015 Mayden H02J 7/0044
D13/108
D741,256 S * 10/2015 Murphy-Reinhertz D13/108
D742,823 S * 11/2015 Nitz D13/103
D747,267 S * 1/2016 Aumiller D13/108
2015/0263553 A1 * 9/2015 Fuller 320/114
2015/0359127 A1 * 12/2015 Daoura H05K 7/1422
320/101

* cited by examiner

Primary Examiner — Rosemary K Tarcza
Assistant Examiner — Christy Nemeth

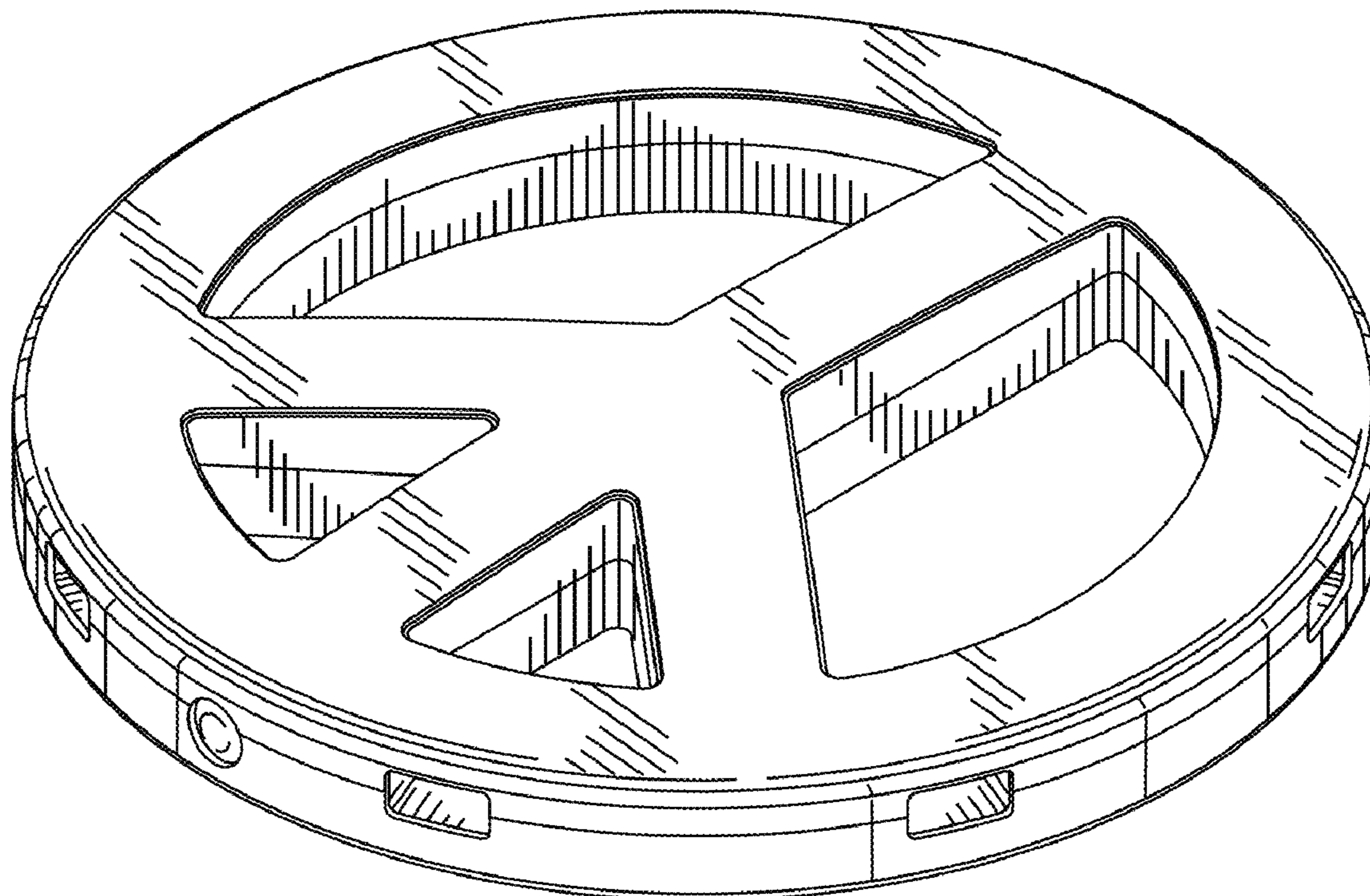
(57) **CLAIM**

The ornamental design for a charging station, as shown and described.

DESCRIPTION

FIG. 1 is a top front perspective view of a charging station;
FIG. 2 is a front elevation view thereof;
FIG. 3 is a rear elevation view thereof;
FIG. 4 is a left side elevation view thereof;
FIG. 5 is a right side elevation view thereof;
FIG. 6 is a top elevation view thereof; and,
FIG. 7 is a bottom elevation view thereof.

1 Claim, 5 Drawing Sheets



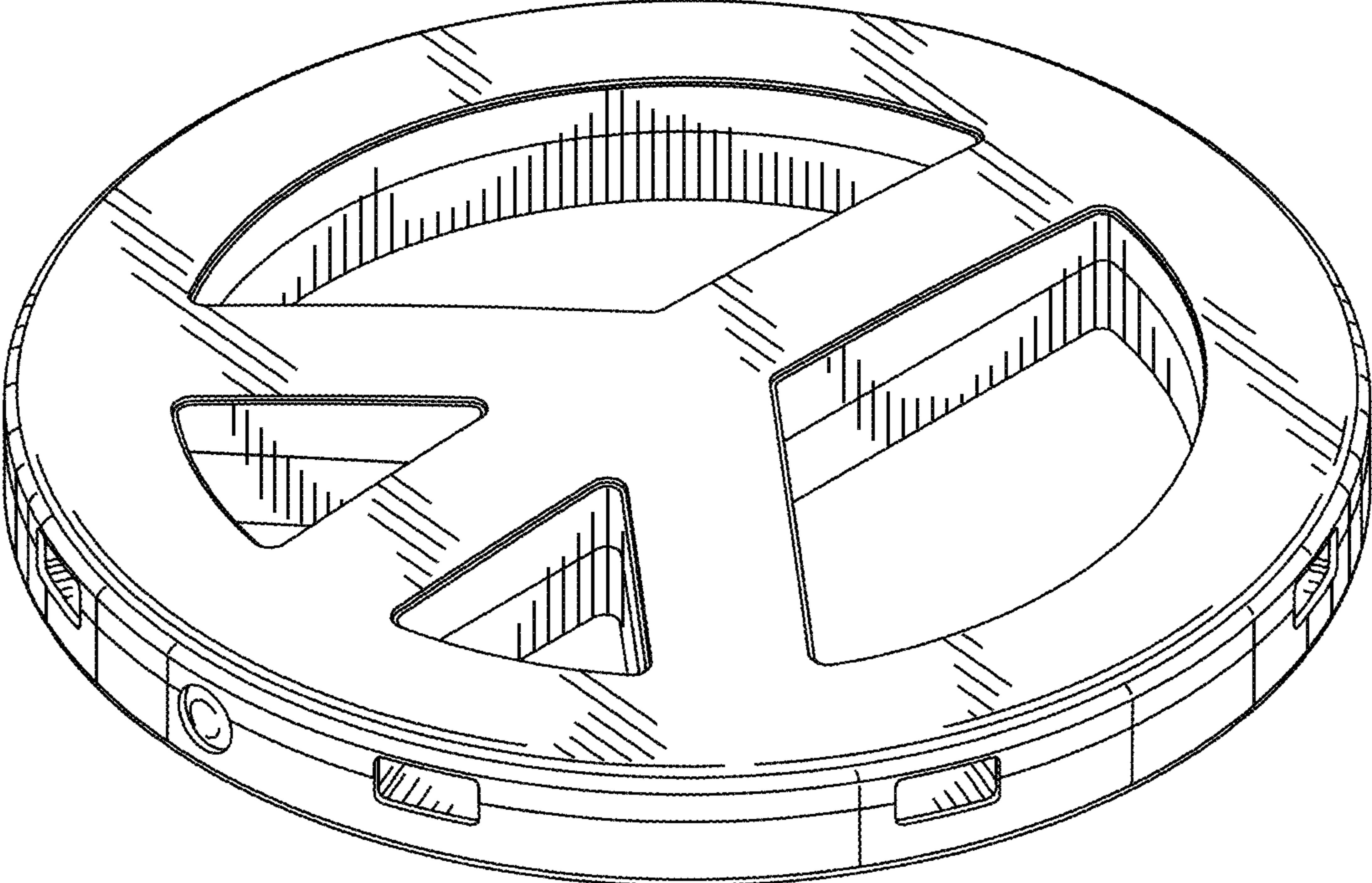


FIG. 1

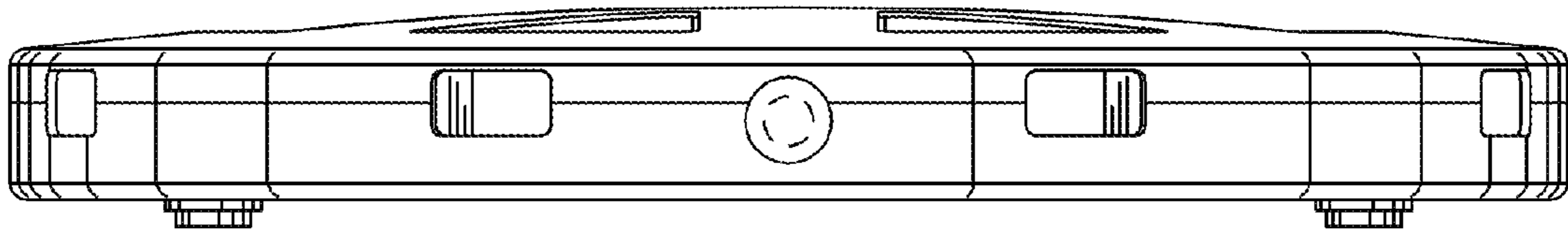


FIG. 2

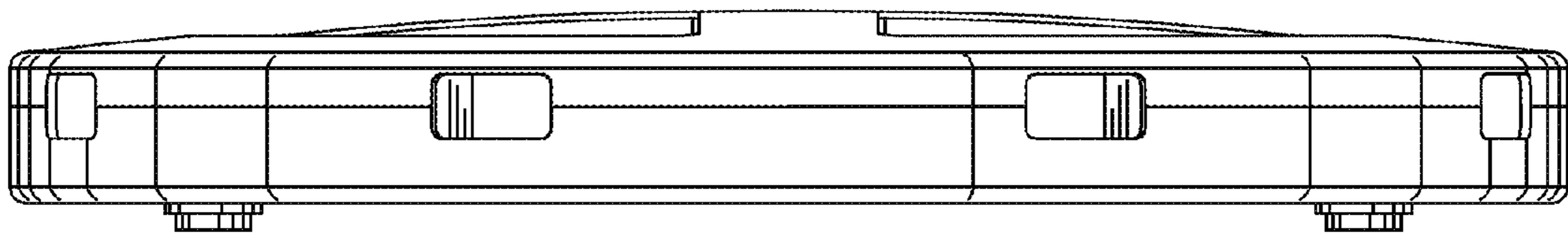


FIG. 3

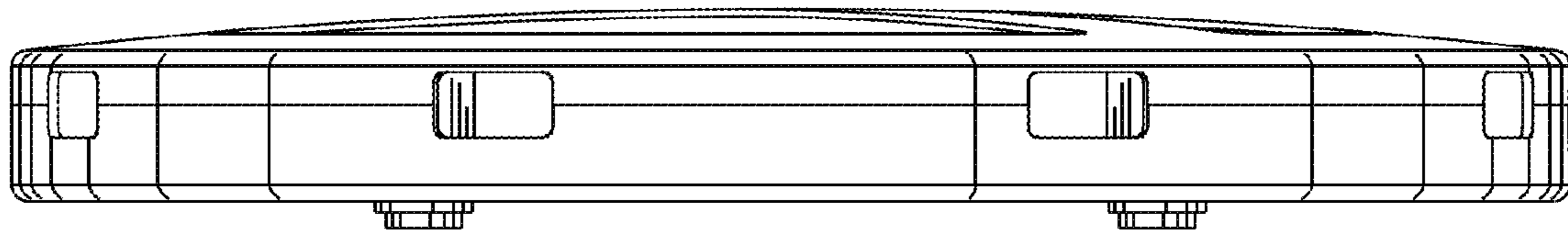


FIG. 4

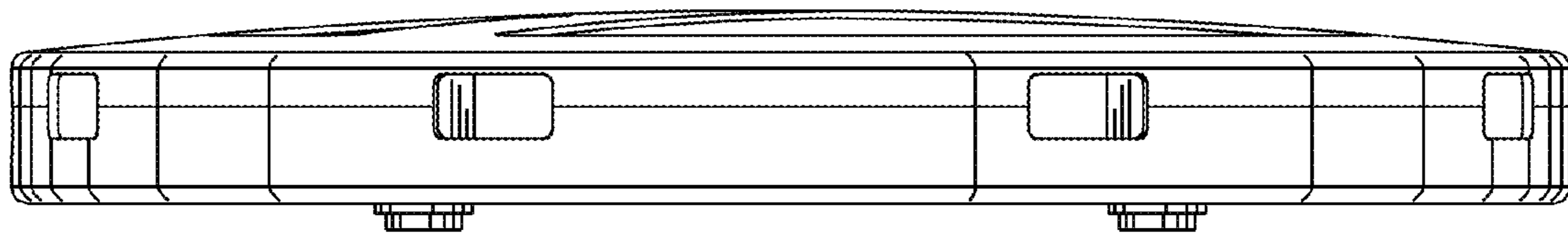


FIG. 5

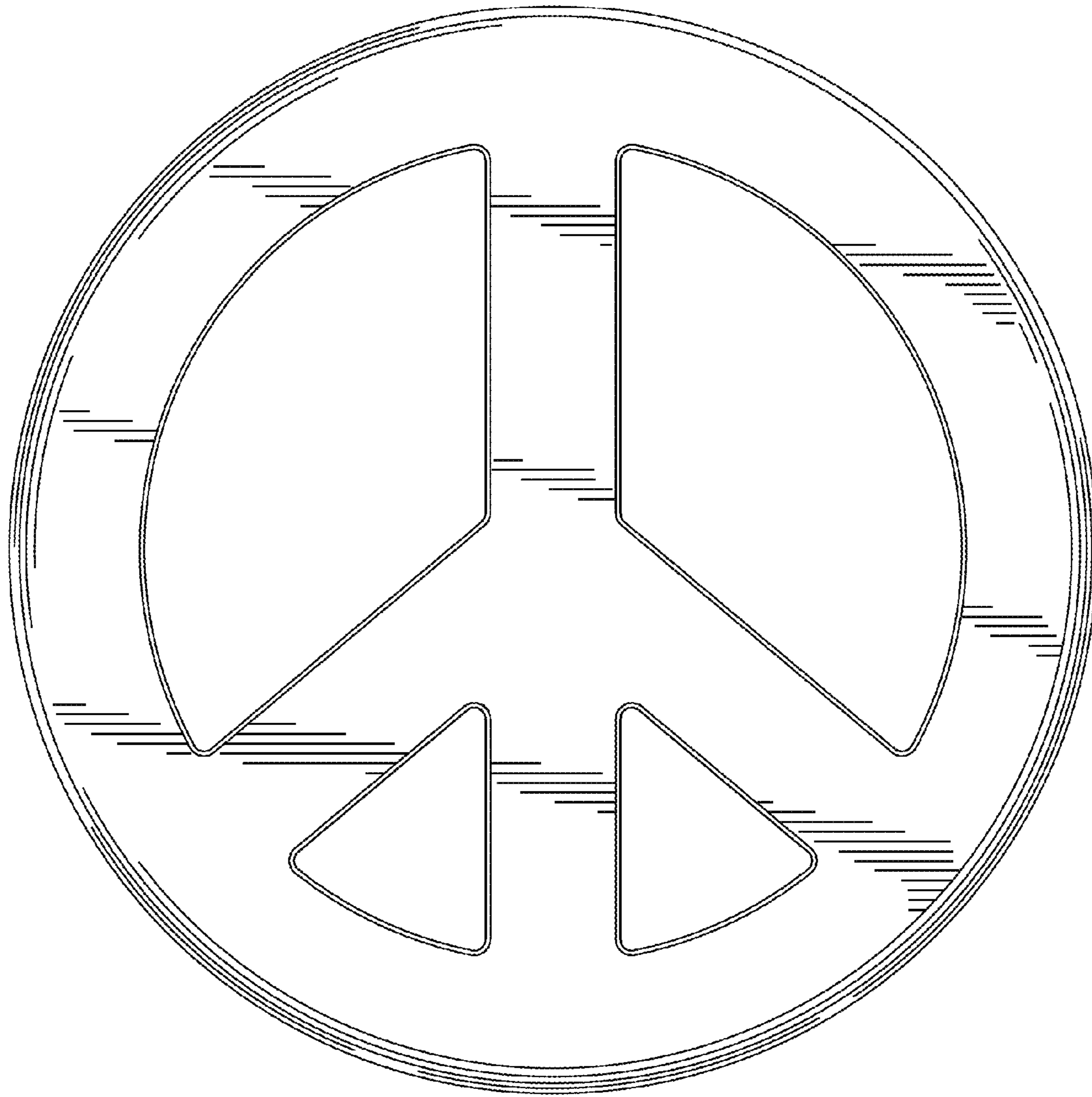


FIG.6

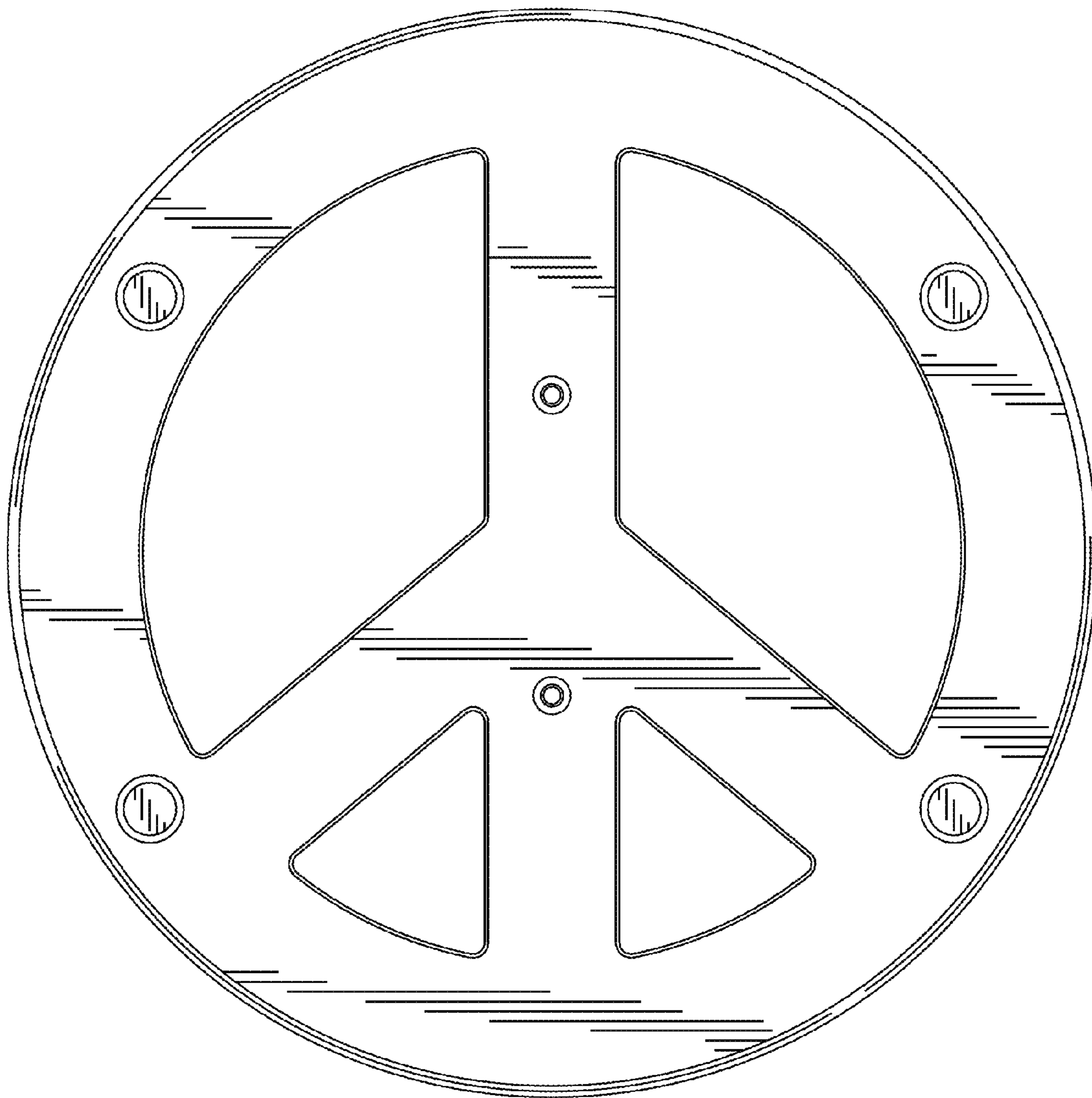


FIG. 7