



US00D757645S

(12) **United States Design Patent**  
**Oliver et al.**

(10) **Patent No.:** **US D757,645 S**  
(45) **Date of Patent:** **\*\* May 31, 2016**

(54) **BATTERY**

(71) Applicant: **Accutronics Ltd**, Staffordshire (GB)

(72) Inventors: **Neil Oliver**, Staffordshire (GB); **David Asplin**, Staffordshire (GB); **Steve Dodds**, Staffordshire (GB)

(73) Assignee: **Accutronics Ltd.**, Newcastle-under-Lyme, Staffordshire (GB)

(\*\*) Term: **14 Years**

(21) Appl. No.: **29/485,393**

(22) Filed: **Mar. 18, 2014**

(30) **Foreign Application Priority Data**

Sep. 18, 2013 (EP) ..... 002311787

(51) **LOC (10) Cl.** ..... **13-02**

(52) **U.S. Cl.**  
USPC ..... **D13/103**

(58) **Field of Classification Search**  
USPC ..... D13/103, 107, 110, 184; 429/176, 96,  
429/97; 320/110

CPC ..... H01M 2/10  
See application file for complete search history.

(56) **References Cited**

**U.S. PATENT DOCUMENTS**

3,696,283 A \* 10/1972 Ackley, III ..... 320/110  
D225,109 S \* 11/1972 Flider ..... D13/119  
D236,493 S \* 8/1975 Kaye ..... D13/103  
4,403,182 A \* 9/1983 Yeh ..... 320/110  
D278,703 S \* 5/1985 Chiodo et al. .... D13/107  
D286,770 S \* 11/1986 Melcher ..... D13/184  
5,221,210 A \* 6/1993 Bormuth et al. .... 439/79  
D366,631 S \* 1/1996 Weder et al. .... D11/164

D388,764 S \* 1/1998 Bartling et al. .... D13/107  
D409,562 S \* 5/1999 Johansson et al. .... D13/103  
D519,919 S \* 5/2006 Yokota ..... D13/103  
D555,587 S \* 11/2007 Yamamoto et al. .... D13/103  
D610,539 S \* 2/2010 Dahan et al. .... D13/110  
D614,124 S \* 4/2010 Mistyurik ..... D13/103  
D623,125 S \* 9/2010 Kawabata et al. .... D13/103  
8,054,041 B2 \* 11/2011 Kim et al. .... 320/112  
D654,019 S \* 2/2012 Ikegame ..... D13/108  
8,312,937 B2 \* 11/2012 Turner et al. .... 173/217  
D674,333 S \* 1/2013 Lemelman et al. .... D13/103  
D675,622 S \* 2/2013 Petrick et al. .... D14/434  
D680,950 S \* 4/2013 Nam et al. .... D13/103  
D693,292 S \* 11/2013 Salvi et al. .... D13/103  
D727,254 S \* 4/2015 Kinoshita et al. .... D13/103  
D731,412 S \* 6/2015 Gao et al. .... D13/103  
D731,415 S \* 6/2015 Arakelian et al. .... D13/107  
D733,043 S \* 6/2015 Hasbrook et al. .... D13/103

(Continued)

*Primary Examiner* — Paula Greene

(74) *Attorney, Agent, or Firm* — Morgan, Lewis & Bockius LLP

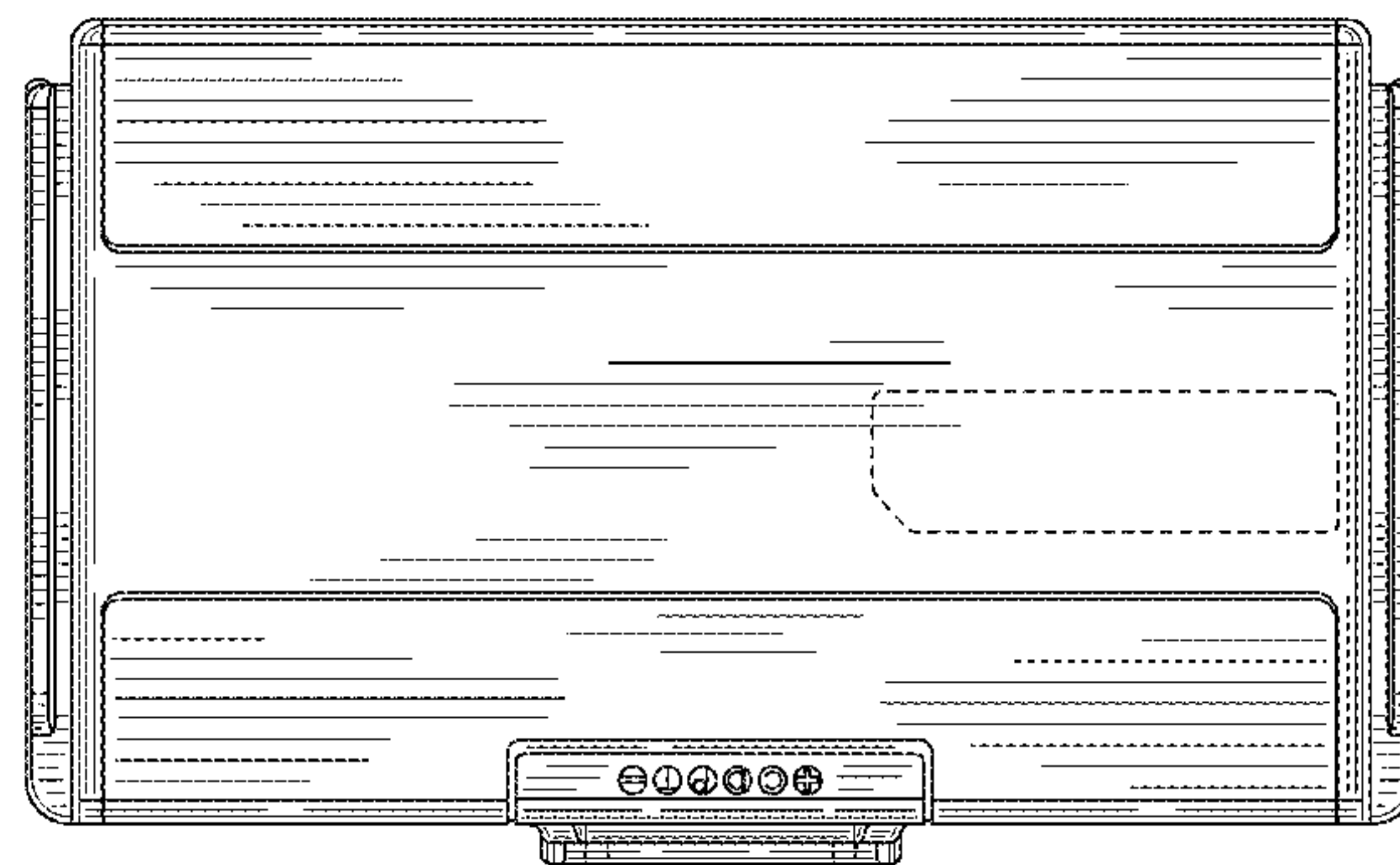
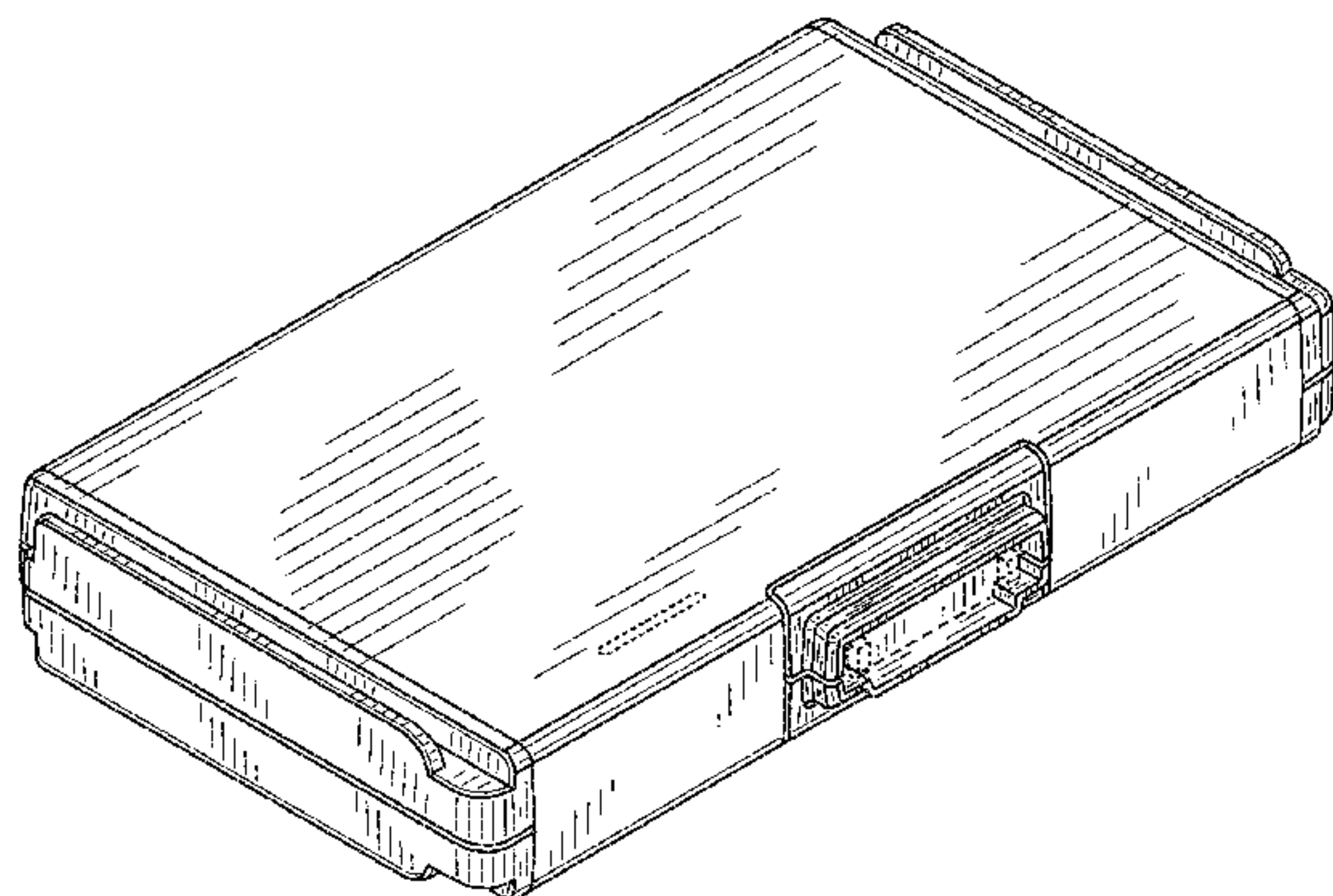
(57) **CLAIM**

An ornamental design for the battery, as shown and described.

**DESCRIPTION**

FIG. 1 is a first perspective view of our new design of our new battery;  
FIG. 2 is a second perspective view of the design of FIG. 1;  
FIG. 3 is a front view of the design of FIG. 1;  
FIG. 4 is a top view of the design of FIG. 1;  
FIG. 5 is a bottom view of the design of FIG. 1;  
FIG. 6 is a left hand side view of the design of FIG. 1; and,  
FIG. 7 is a right hand side view of the design of Figure.  
The broken lines in the above described FIGS. 1-7 are for illustrative purposes only and form no part of the claimed design.

**1 Claim, 7 Drawing Sheets**



# US D757,645 S

Page 2

---

(56)

## References Cited

### U.S. PATENT DOCUMENTS

	2001/0007728	A1*	7/2001	Ogata et al. ....	429/120
	2006/0093899	A1*	5/2006	Jeon et al. ....	429/99
	2012/0194132	A1*	8/2012	Ikegame ....	320/113
D733,045 S	*	6/2015	Venida et al. ....	D13/107	* cited by examiner

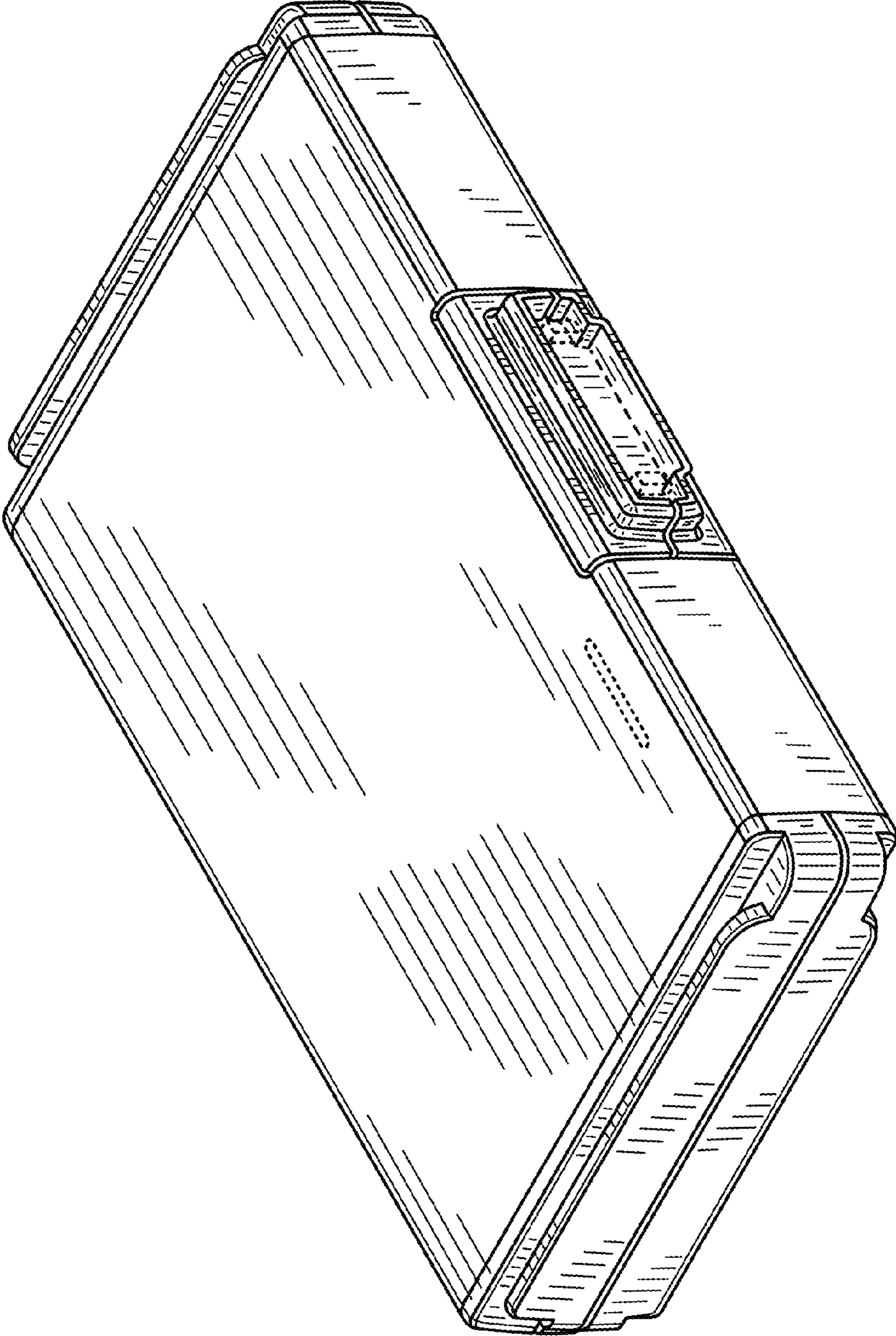


FIG. 1



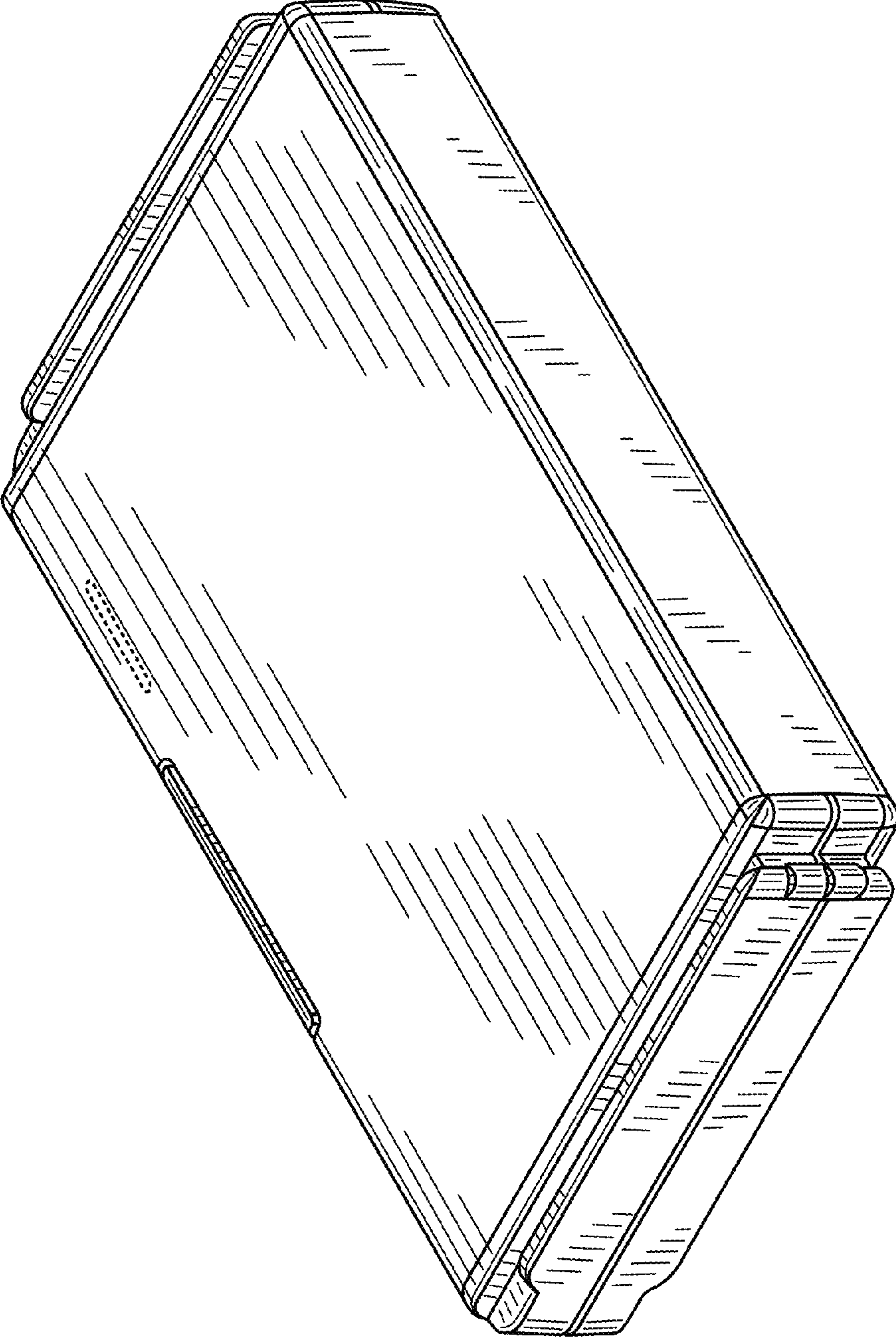


FIG. 2

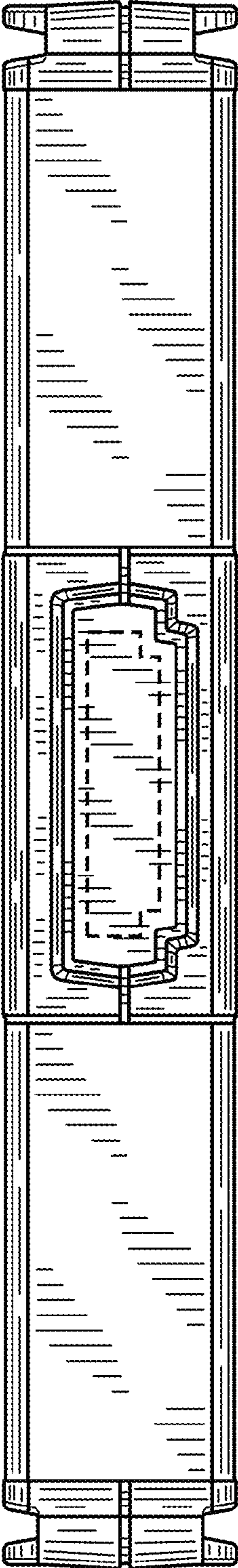


FIG. 3

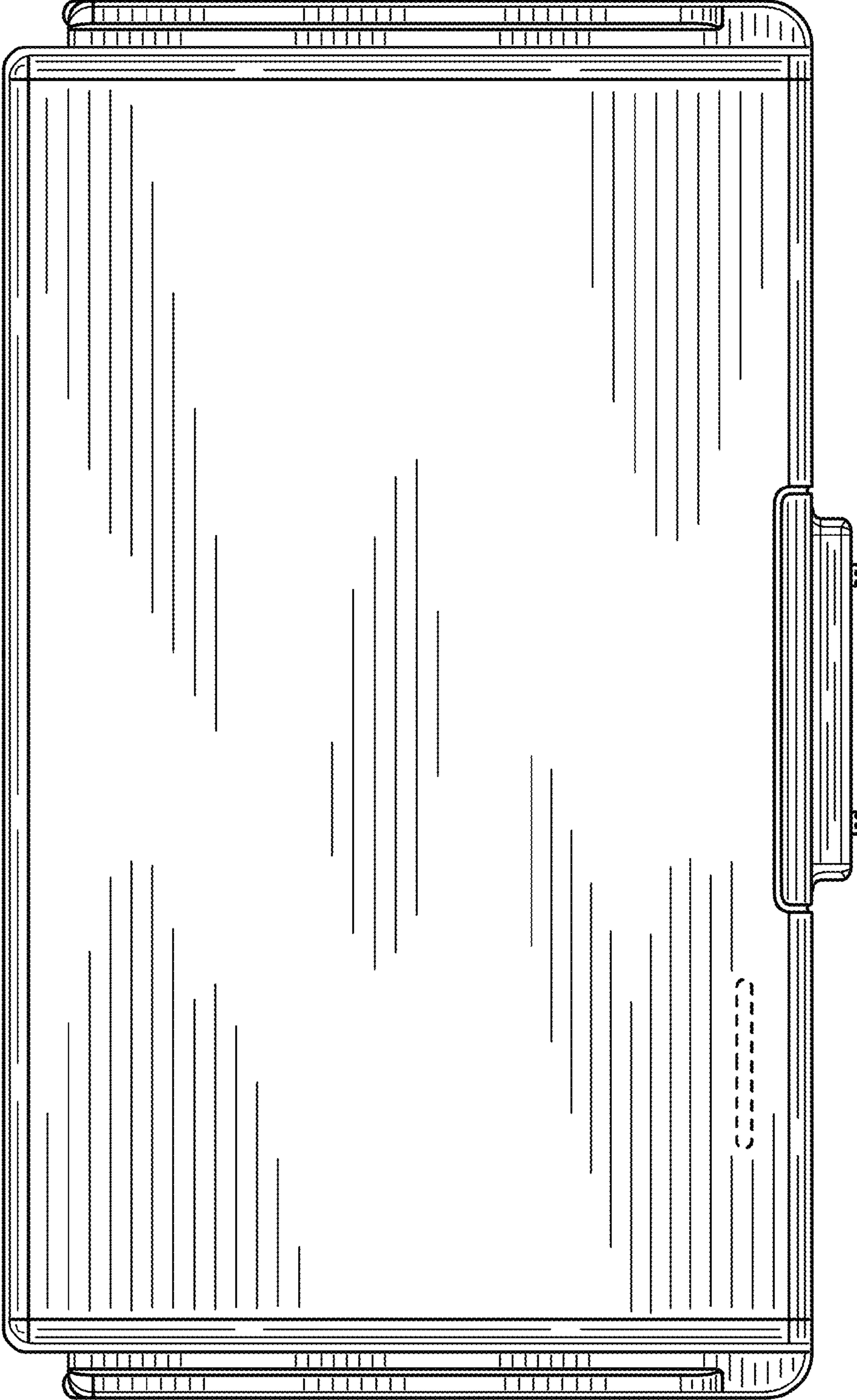


FIG. 4

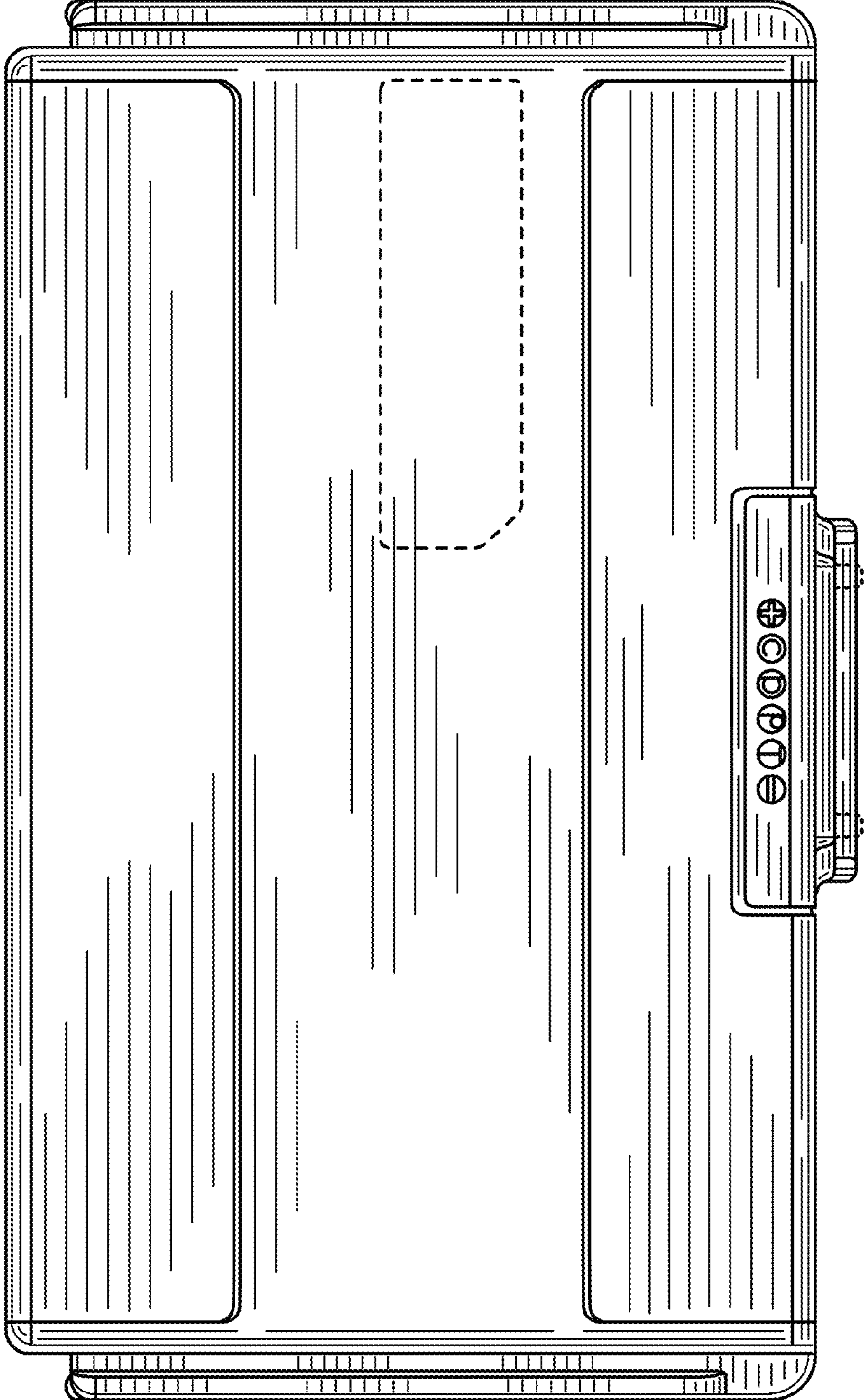


FIG. 5

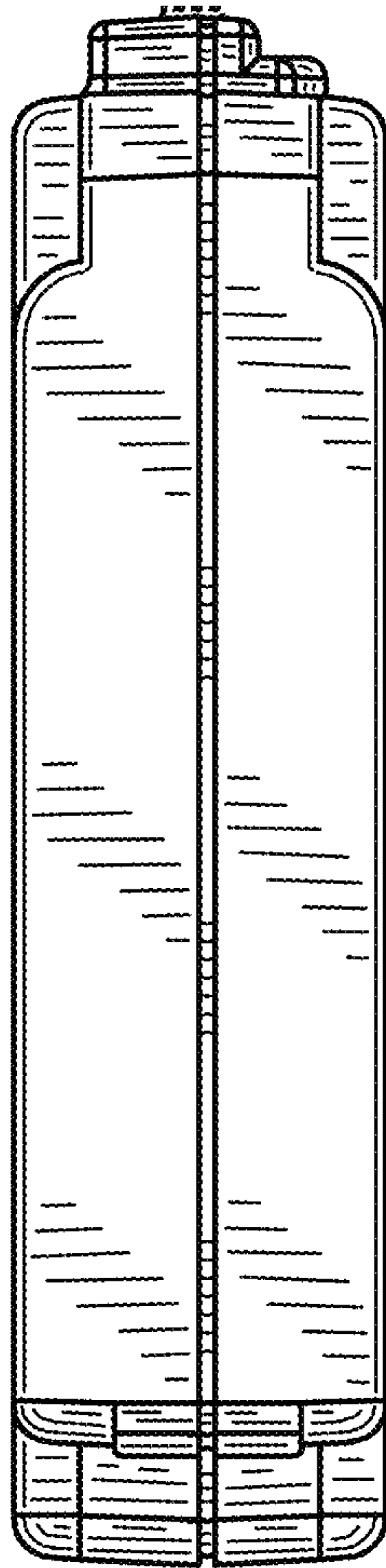


FIG. 6



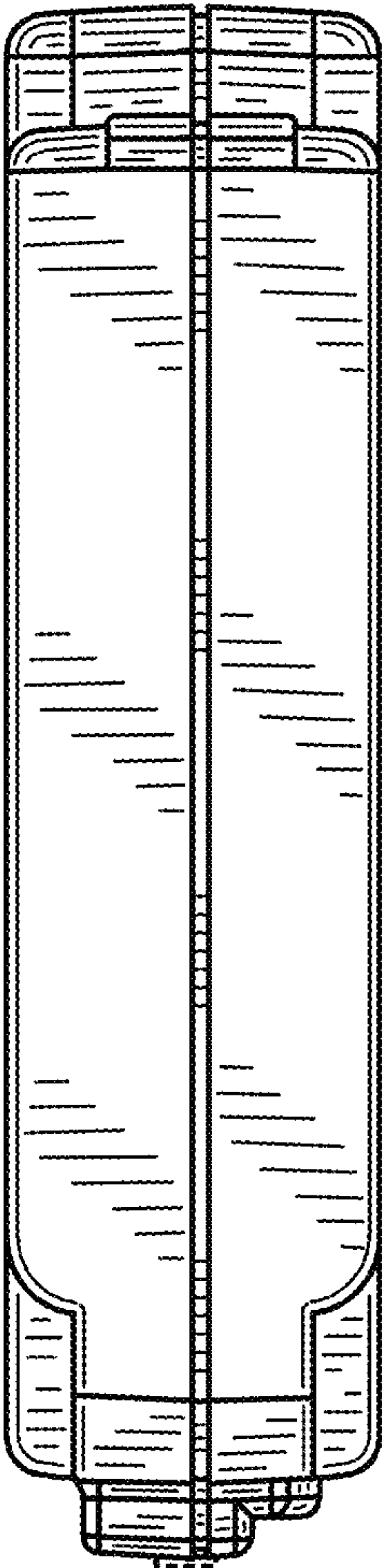


FIG. 7