



US00D757642S

(12) **United States Design Patent**
Kwak

(10) **Patent No.:** **US D757,642 S**

(45) **Date of Patent:** **** May 31, 2016**

(54) **TIRE TREAD**

(71) Applicant: **HANKOOK TIRE CO., LTD.**, Seoul (KR)

(72) Inventor: **Seung Ju Kwak**, Seoul (KR)

(73) Assignee: **Hankook Tire Co., Ltd.**, Seoul (KR)

(**) Term: **14 Years**

(21) Appl. No.: **29/506,965**

(22) Filed: **Oct. 22, 2014**

(30) **Foreign Application Priority Data**

May 1, 2014 (KR) 30-2014-0022110

(51) **LOC (10) Cl.** **12-15**

(52) **U.S. Cl.**
USPC **D12/601**

(58) **Field of Classification Search**
USPC D12/568-603
CPC B60C 5/00; B60C 11/04; B60C 11/11;
B60C 11/13; B60C 11/12; B60C 2011/1213;
B60C 11/03
See application file for complete search history.

(56) **References Cited**

U.S. PATENT DOCUMENTS

D293,664 S * 1/1988 Hayakawa D12/595
D668,208 S * 10/2012 Brown D12/588
D676,802 S * 2/2013 Takei D12/588
D728,462 S * 5/2015 Mathonet D12/588

D729,154 S * 5/2015 Kwak D12/588
D740,215 S * 10/2015 Wang D12/601
2015/0375571 A1* 12/2015 Koishikawa B60C 11/0306
152/209.18

* cited by examiner

Primary Examiner — George D Kirschbaum

Assistant Examiner — Jennifer Watkins

(74) *Attorney, Agent, or Firm* — Hamre, Schumann, Mueller & Larson, P.C.

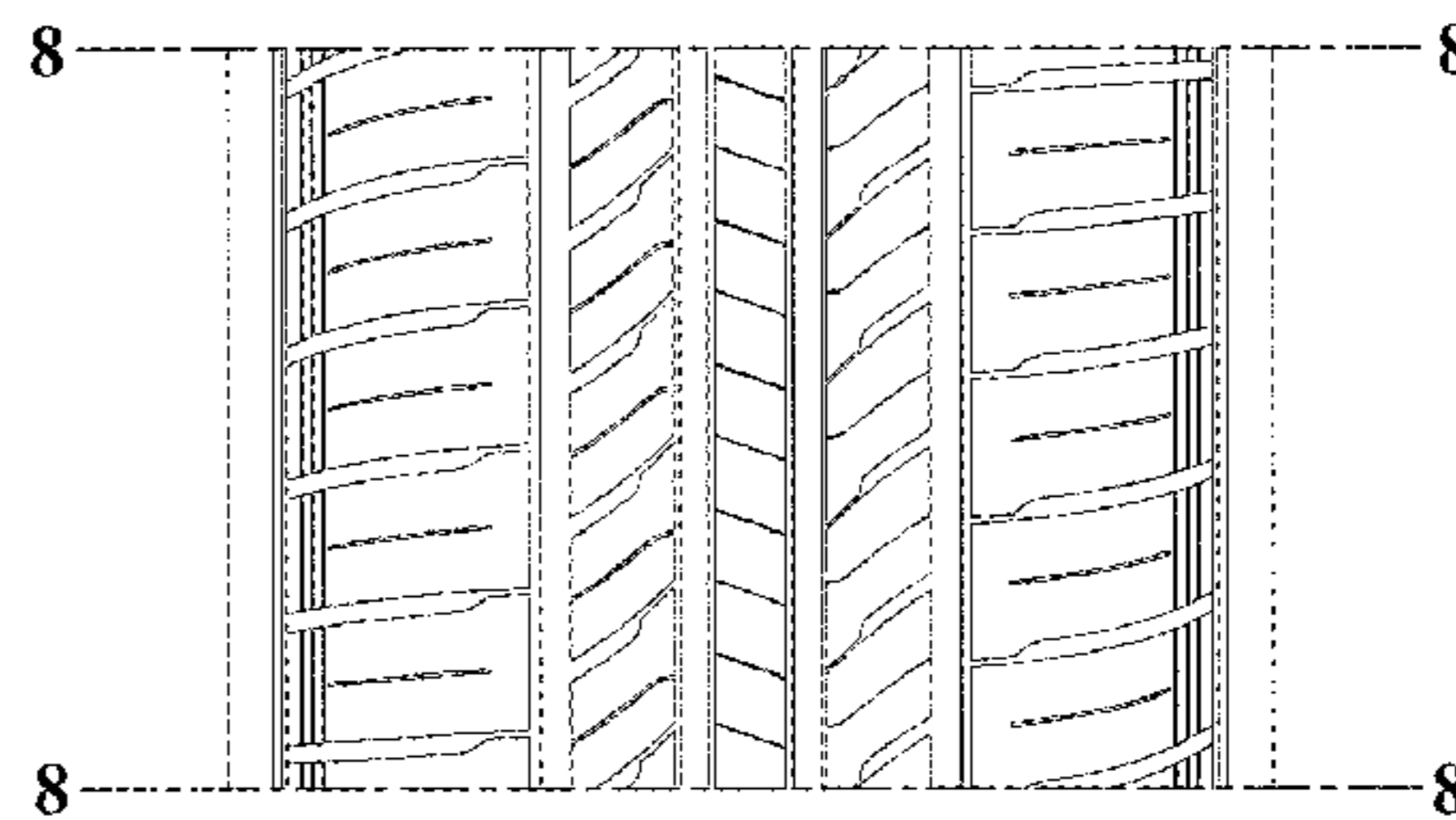
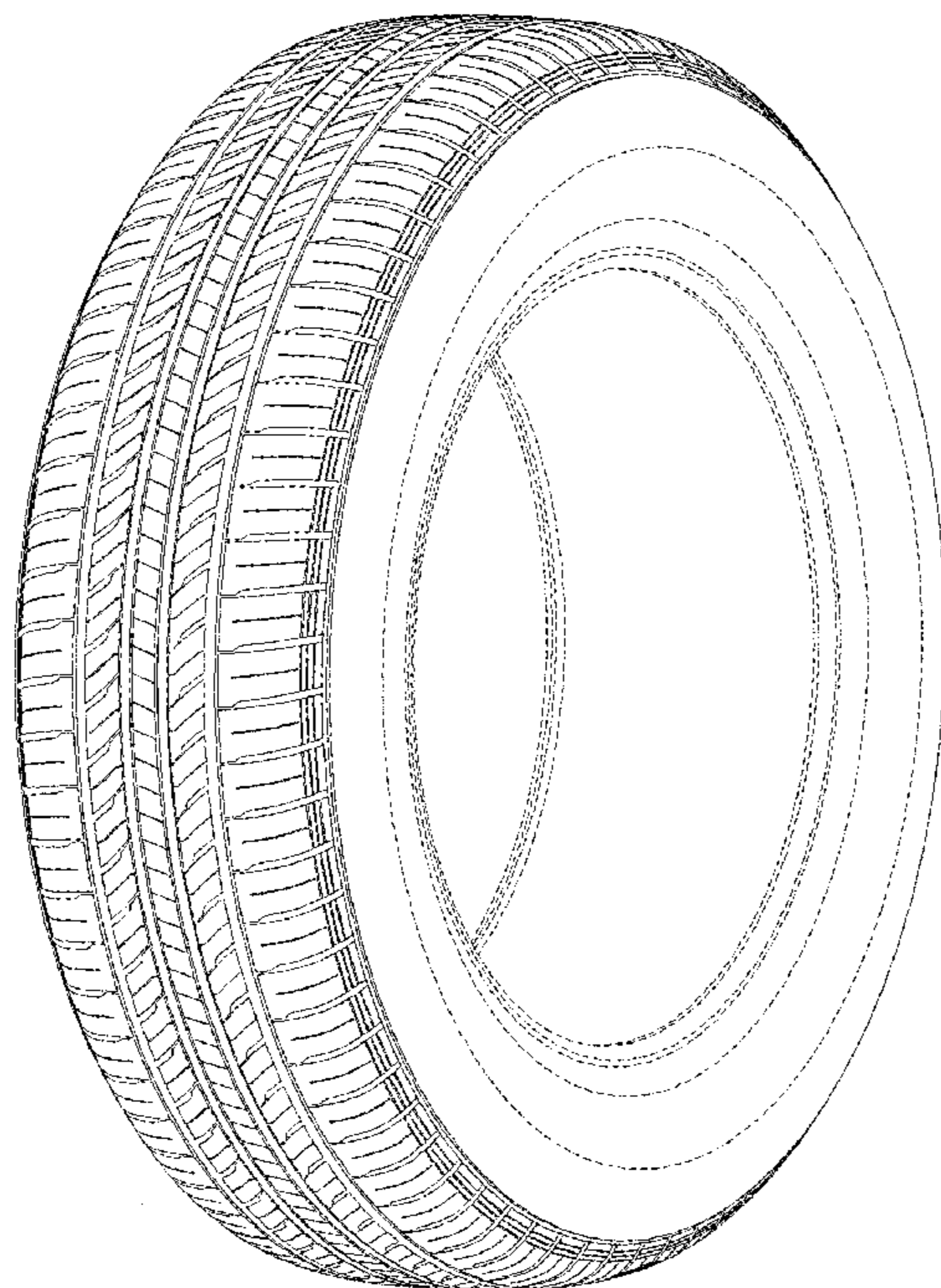
(57) **CLAIM**

The ornamental design for a tire tread, as shown and described.

DESCRIPTION

FIG. 1 is a perspective view of a tire tread showing my new design, it being understood that the pattern is repeated uniformly throughout the circumference of the tread;
FIG. 2 is a front elevational view thereof;
FIG. 3 is a rear elevational view thereof;
FIG. 4 is a left side view thereof;
FIG. 5 is a right side view thereof;
FIG. 6 is a top plan view thereof;
FIG. 7 is a bottom plan view thereof; and,
FIG. 8 is an enlarged fragmentary view from upper 8-8 to lower 8-8 in FIG. 2.
In the drawings, the broken lines defining the peripheral boundary, the sidewall and the inner bead depict environmental subject matter that forms no part of the claim. The dash-dot lines in FIG. 8 represent a cut line that forms no part of the claim.

1 Claim, 8 Drawing Sheets



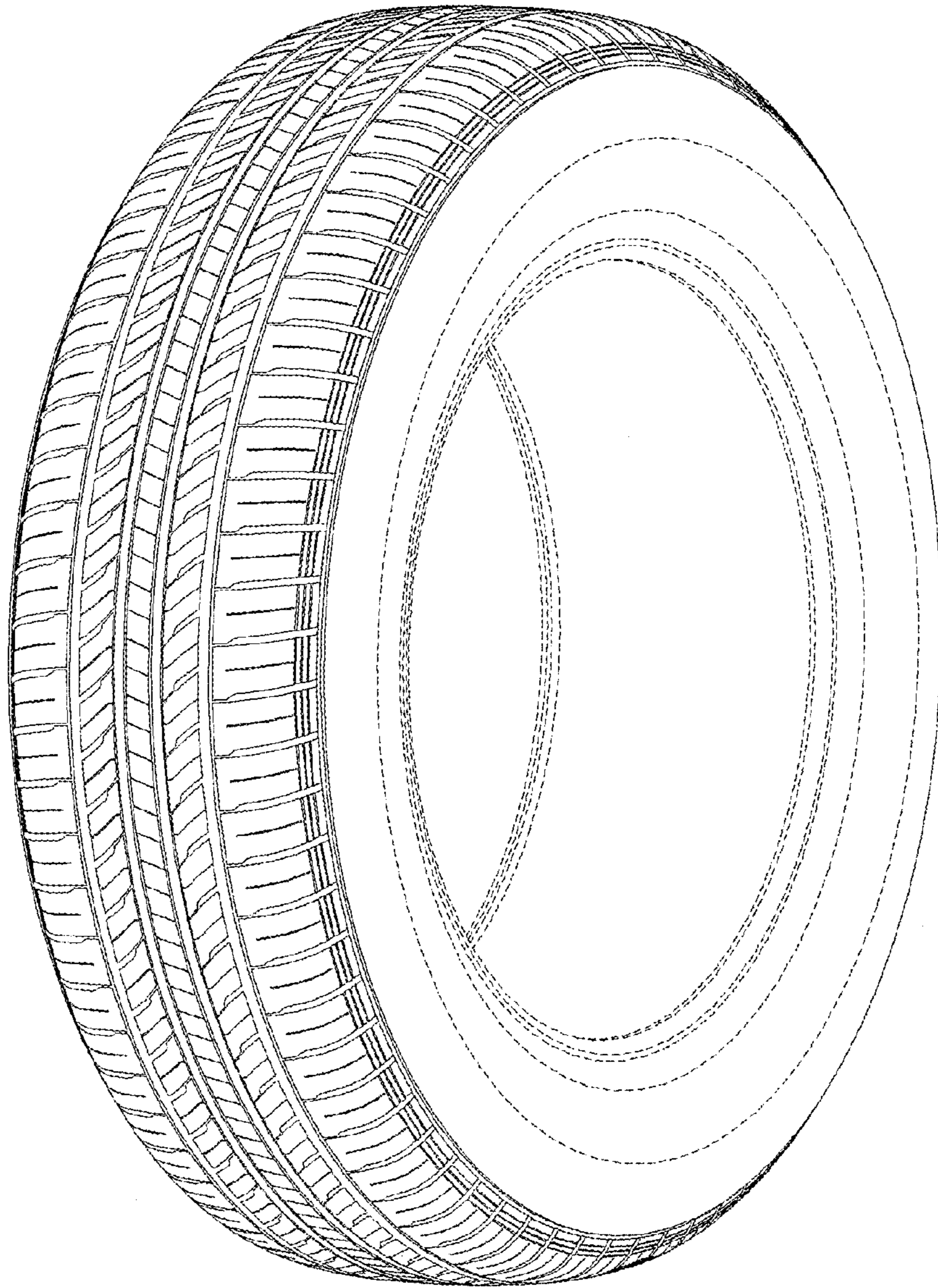


FIG. 1

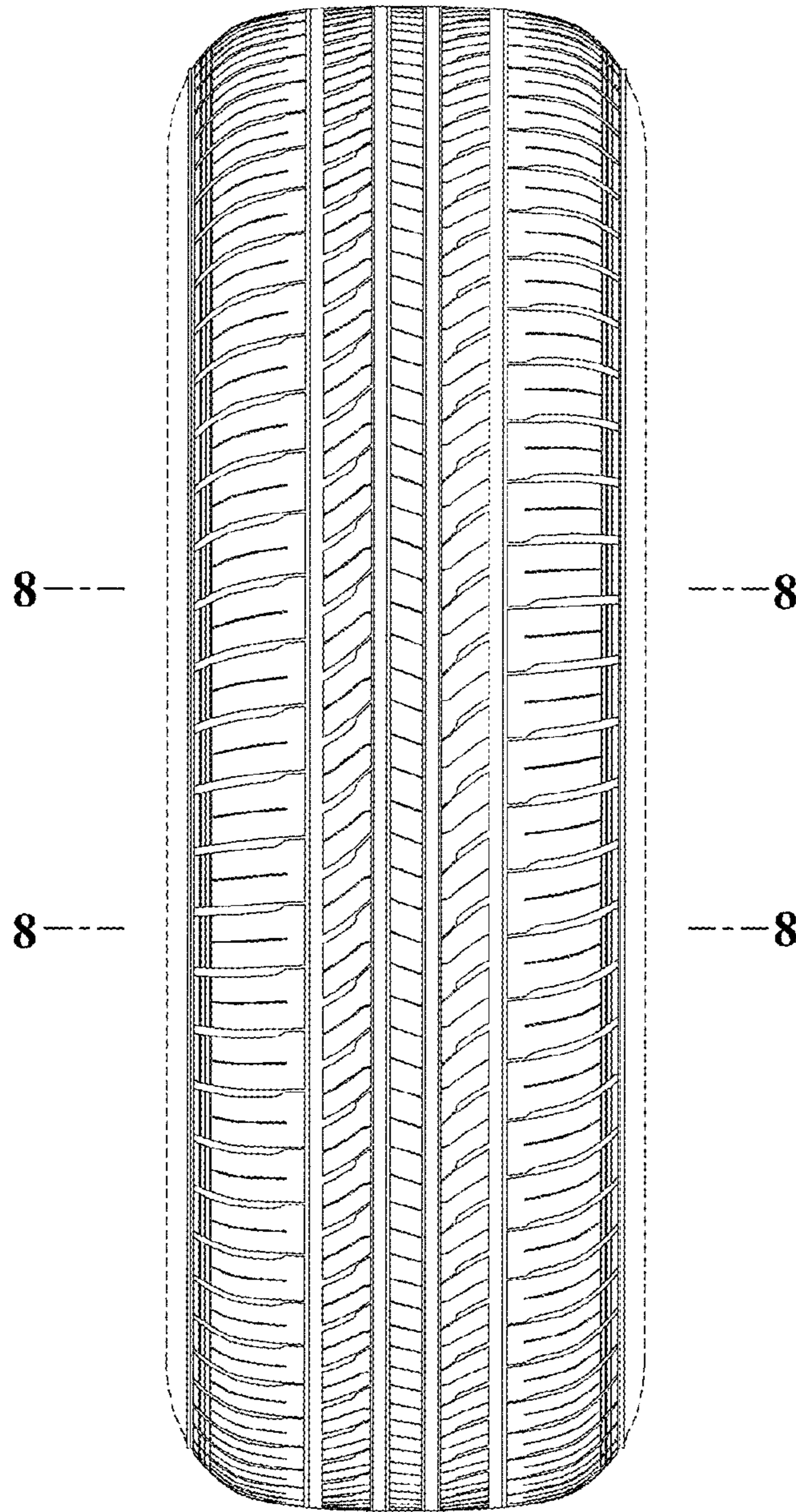


FIG. 2

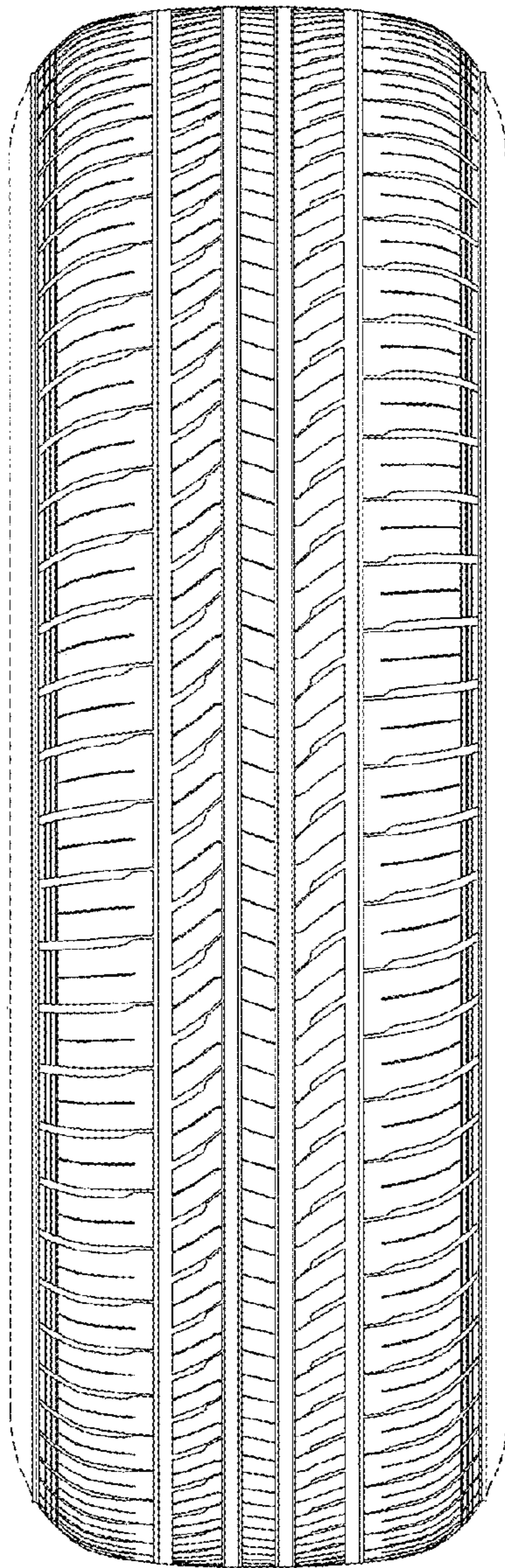


FIG. 3

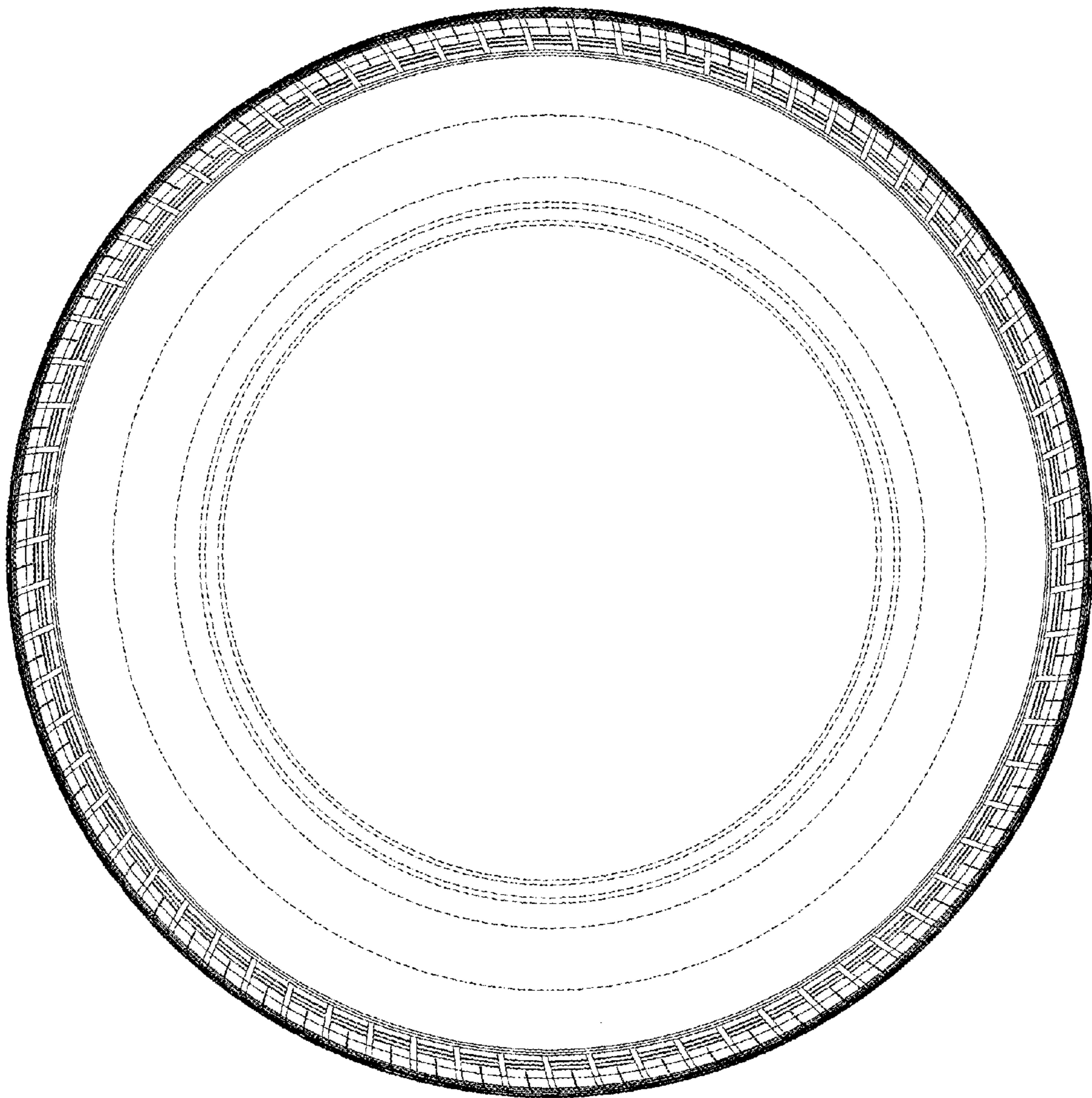


FIG. 4

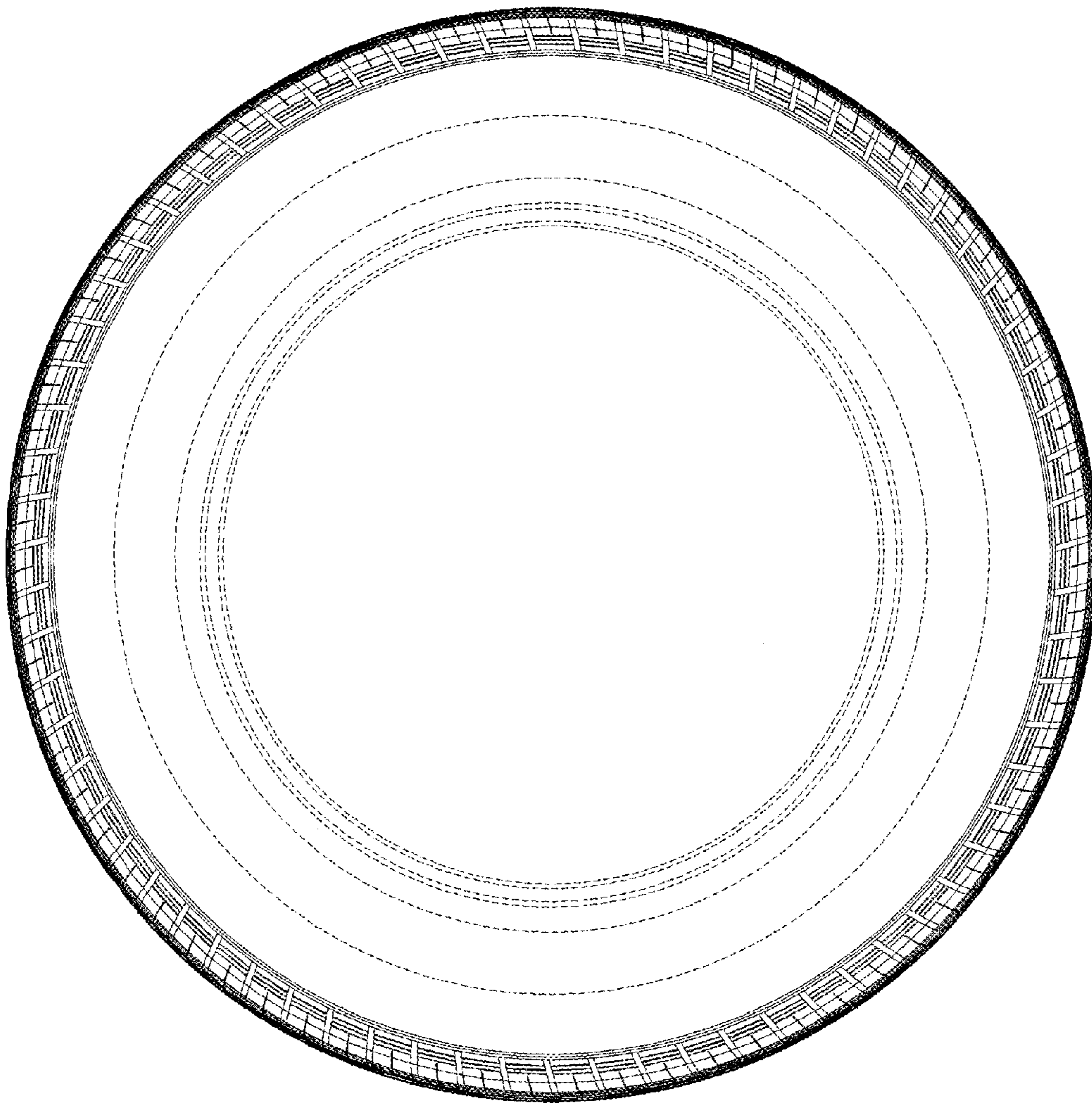


FIG. 5

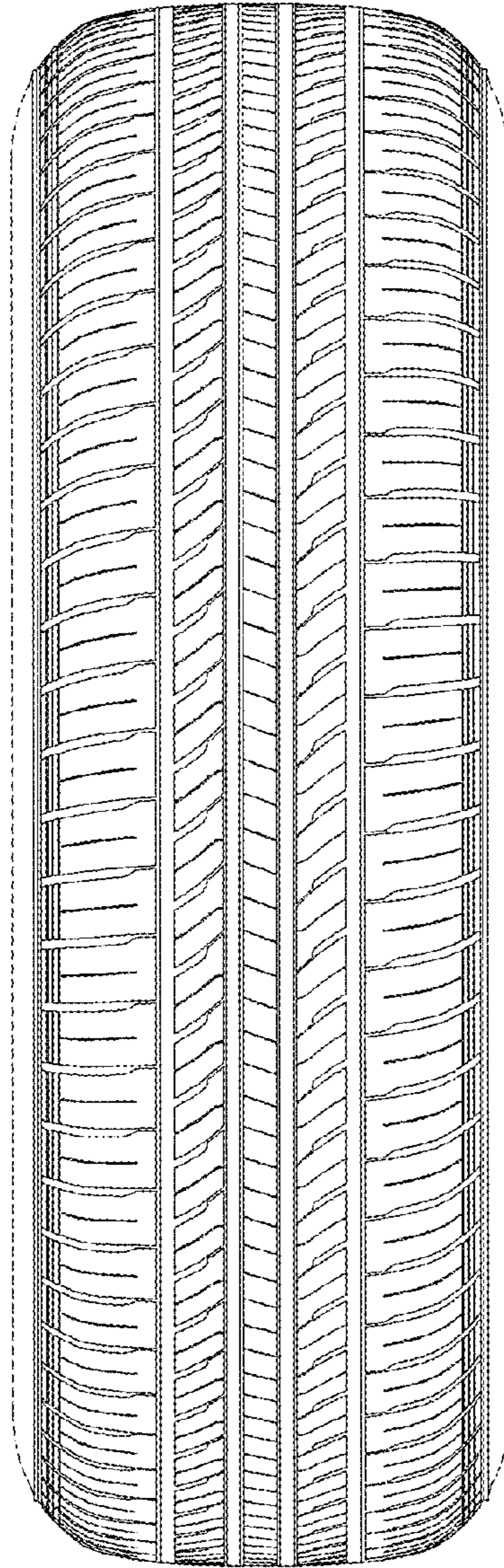


FIG. 6

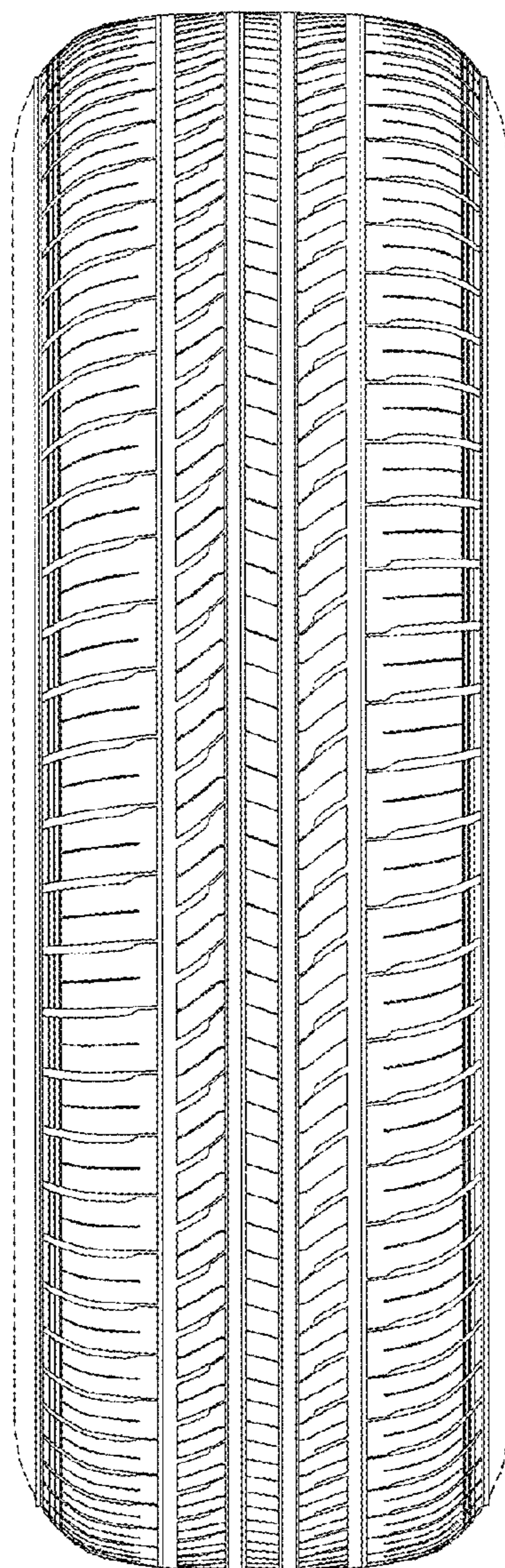


FIG. 7

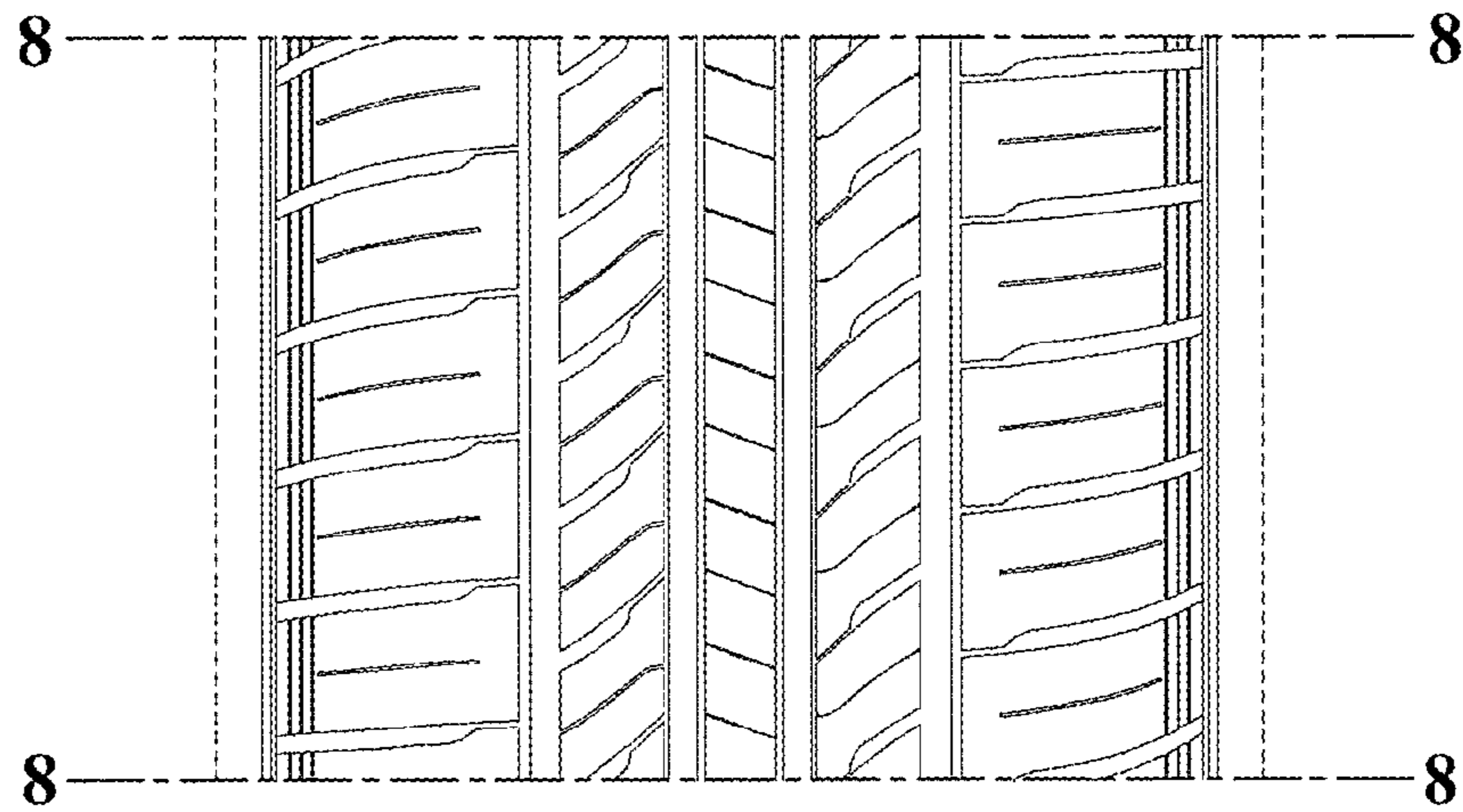


FIG. 8