



US00D757639S

(12) **United States Design Patent**
Hamanaka

(10) **Patent No.:** **US D757,639 S**
(45) **Date of Patent:** **** May 31, 2016**

(54) **AUTOMOBILE TIRE**

D606,485 S * 12/2009 Williamson D12/588
D618,162 S * 6/2010 Mayni D12/588
7,836,926 B2 * 11/2010 Suzuki B60C 11/0306
152/209.18

(71) Applicant: **THE YOKOHAMA RUBBER CO., LTD.**, Minato-ku, Tokyo (JP)

(Continued)

(72) Inventor: **Hideki Hamanaka**, Hiratsuka (JP)

FOREIGN PATENT DOCUMENTS

(73) Assignee: **THE YOKOHAMA RUBBER CO., LTD.**, Minato-ku, Tokyo (JP)

JP D1300298 5/2007

OTHER PUBLICATIONS

(**) Term: **14 Years**

Aug. 26, 2014 (JP) Office Action—App 2014-007040—Partial Eng Tran.

(21) Appl. No.: **29/503,838**

Primary Examiner — Garth Rademaker
Assistant Examiner — Katie Mroczka

(22) Filed: **Sep. 30, 2014**

(74) *Attorney, Agent, or Firm* — Banner & Witcoff, Ltd.

(30) **Foreign Application Priority Data**

Mar. 31, 2014 (JP) 2014-007040

(57) **CLAIM**

(51) **LOC (10) Cl.** **12-15**

The ornamental design for an automobile tire, as shown and described.

(52) **U.S. Cl.**
USPC **D12/584**

DESCRIPTION

(58) **Field of Classification Search**
USPC D12/512, 519, 522, 536–538, 542, 544, D12/551, 552, 554, 559, 561, 563, D12/568–603; D7/588, 396.4, 396.5; 152/523, 524, 525, 555, 209.1–209.9, 152/209.11–209.19, 209.21–209.28, 455; D11/2–4, 26; D5/53, 56, 59, 60, 61
CPC B60C 13/00; B60C 13/001; B60C 13/02; B60C 1/0025; B60C 11/03; B60C 11/0304; B60C 11/1218; B60C 11/1236; B60C 11/1281; B60C 2011/1213; B60C 2200/06; B60C 1/00; B60C 11/0302; B60C 11/0306; B60C 11/0309

FIG. 1 is a perspective view of an automobile tire showing my new design;
FIG. 2 is a front view thereof;
FIG. 3 is a rear view thereof;
FIG. 4 is a left side view thereof;
FIG. 5 is a right side view thereof;
FIG. 6 is a top plan view thereof;
FIG. 7 is a bottom view thereof;
FIG. 8 is an enlarged perspective view of a portion defined by lines 8-8 shown in FIG. 1;
FIG. 9 is an enlarged front view of a portion defined by lines 9-9 shown in FIG. 2; and
FIG. 10 is a sectional view taken along lines 10-10 shown in FIG. 9.

See application file for complete search history.

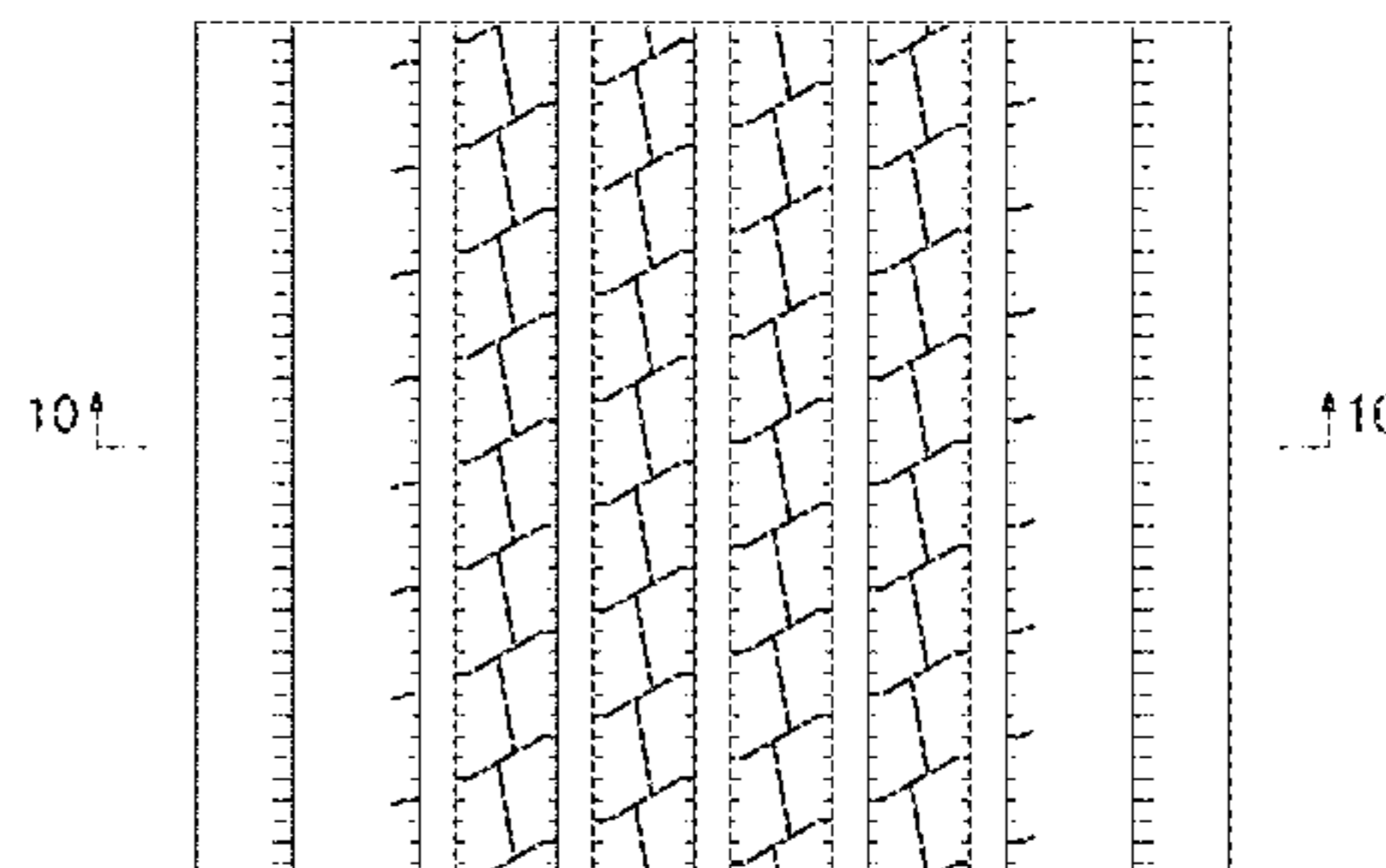
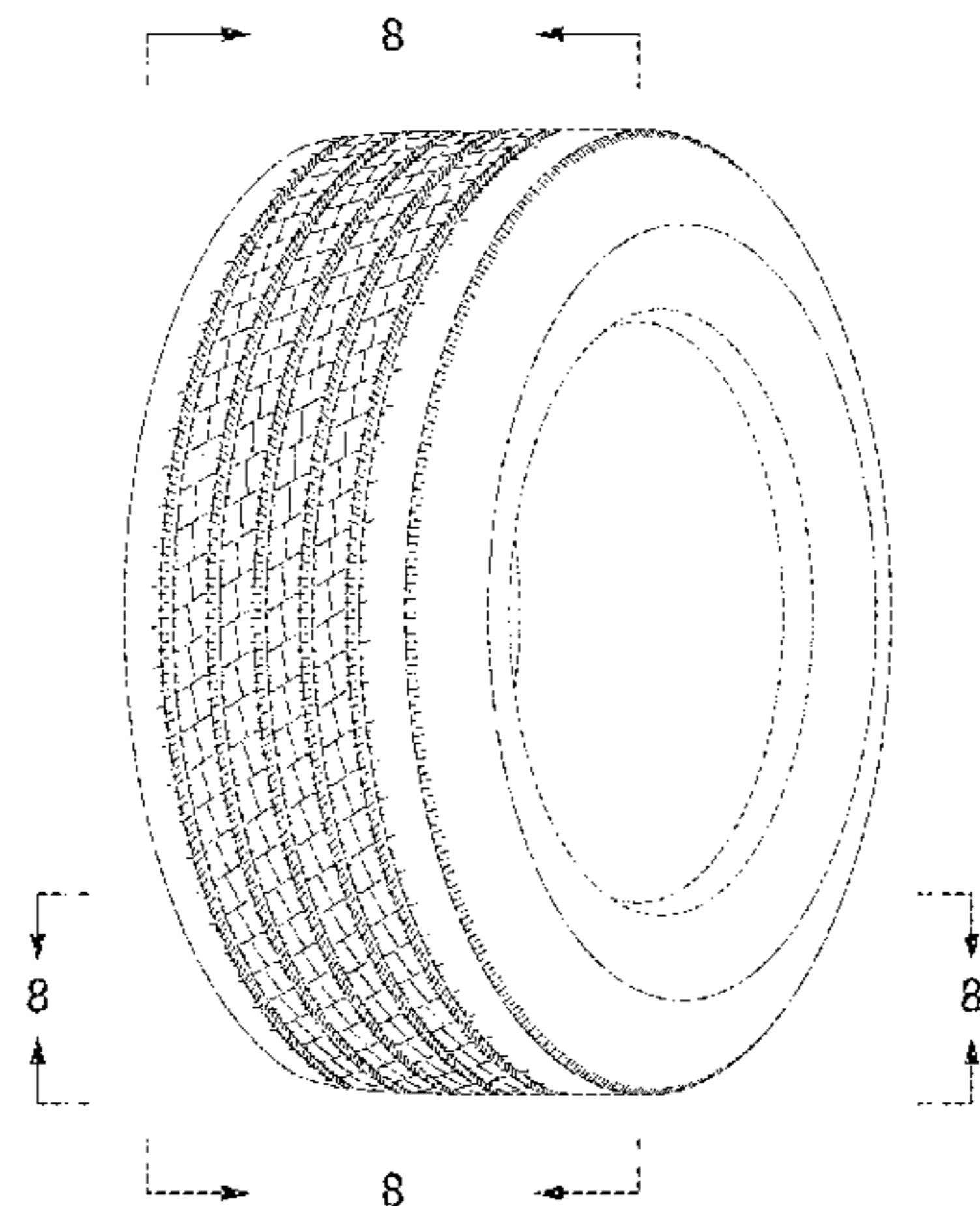
The broken lines shown are included for the purpose of illustrating the unclaimed portions of the automobile tire and form no part of the claimed design. The dot-dashed lines which define the bounds of the claimed design form no part thereof

(56) **References Cited**

U.S. PATENT DOCUMENTS

D461,446 S * 8/2002 Janjareh D12/588
D502,444 S * 3/2005 Wage D12/588
D554,576 S * 11/2007 Suzuki D12/588

1 Claim, 10 Drawing Sheets



US D757,639 S

Page 2

(56)

References Cited

U.S. PATENT DOCUMENTS

D640,627 S * 6/2011 Durand D12/601
D668,206 S * 10/2012 Moore D12/588

D718,227 S * 11/2014 Honda D12/582
D721,643 S * 1/2015 Barrett D12/598
D739,814 S * 9/2015 Moore D12/600

* cited by examiner

FIG. 1

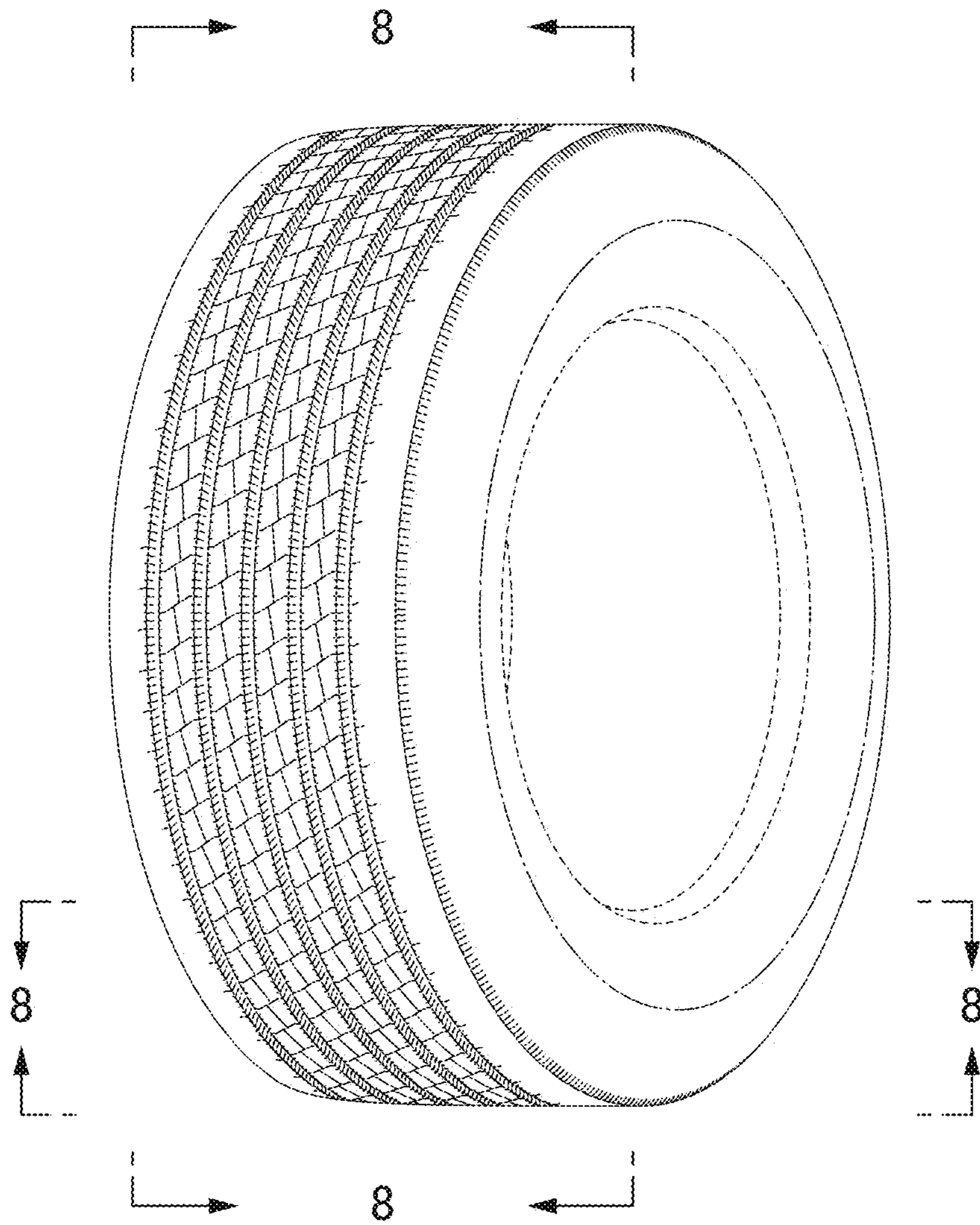


FIG. 2

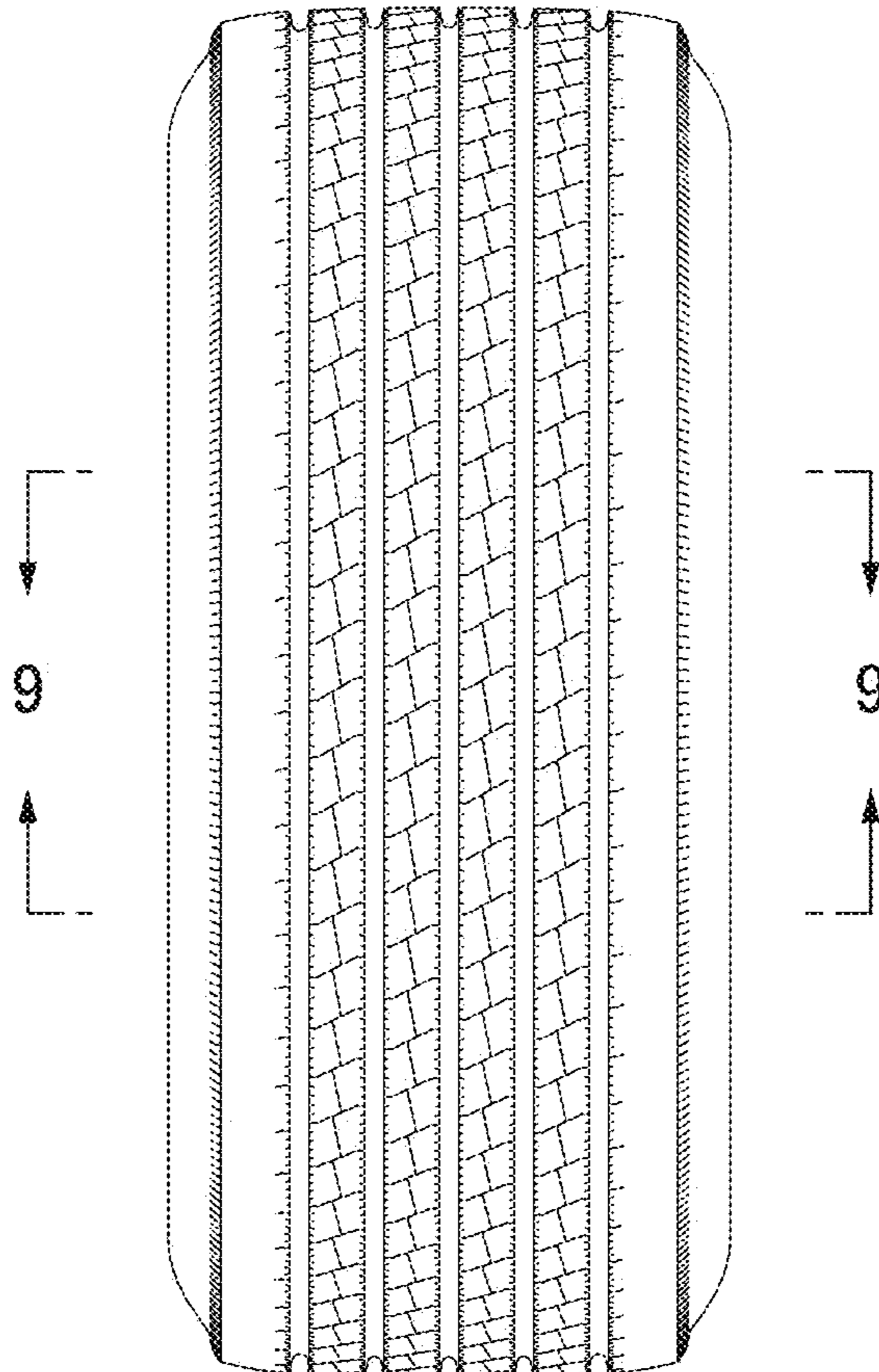


FIG. 3

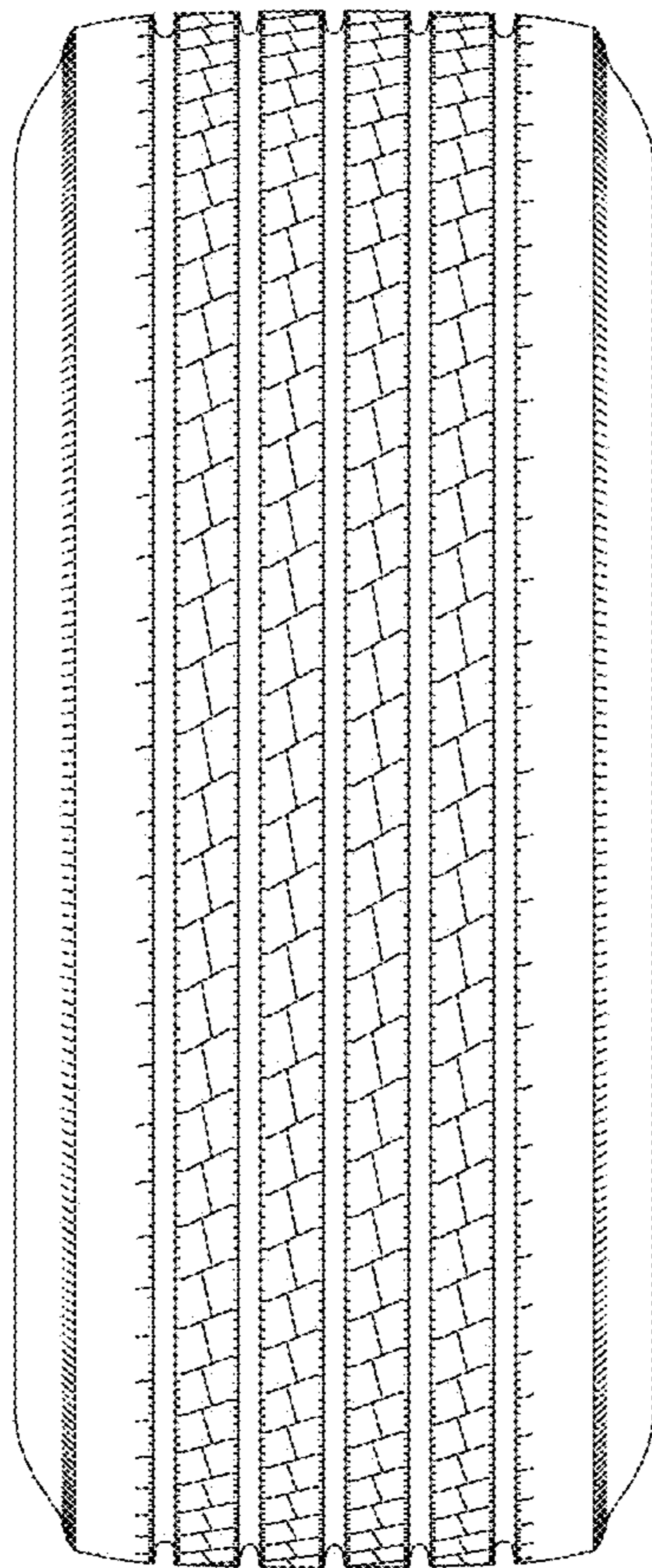


FIG. 4

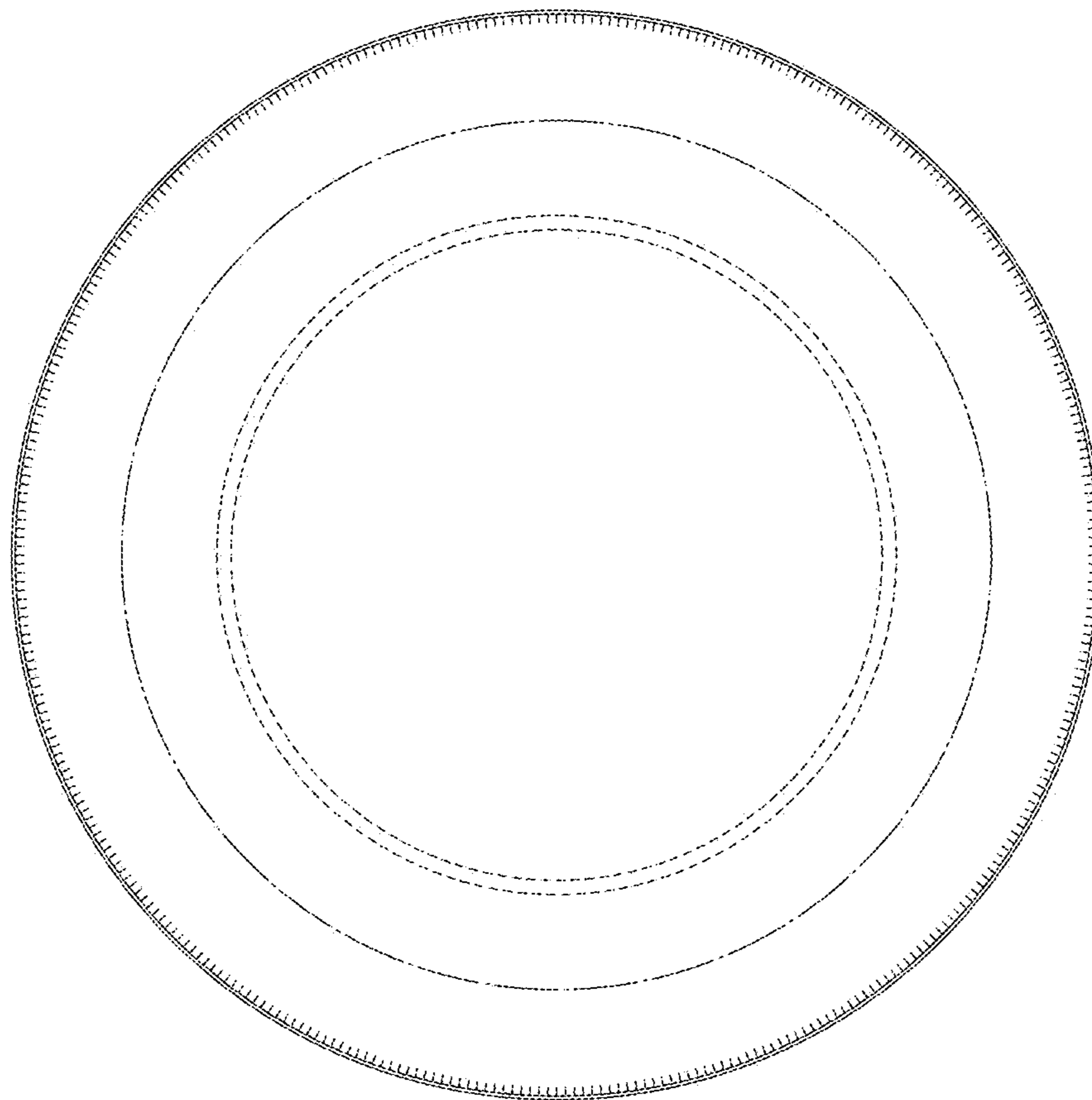


FIG. 5

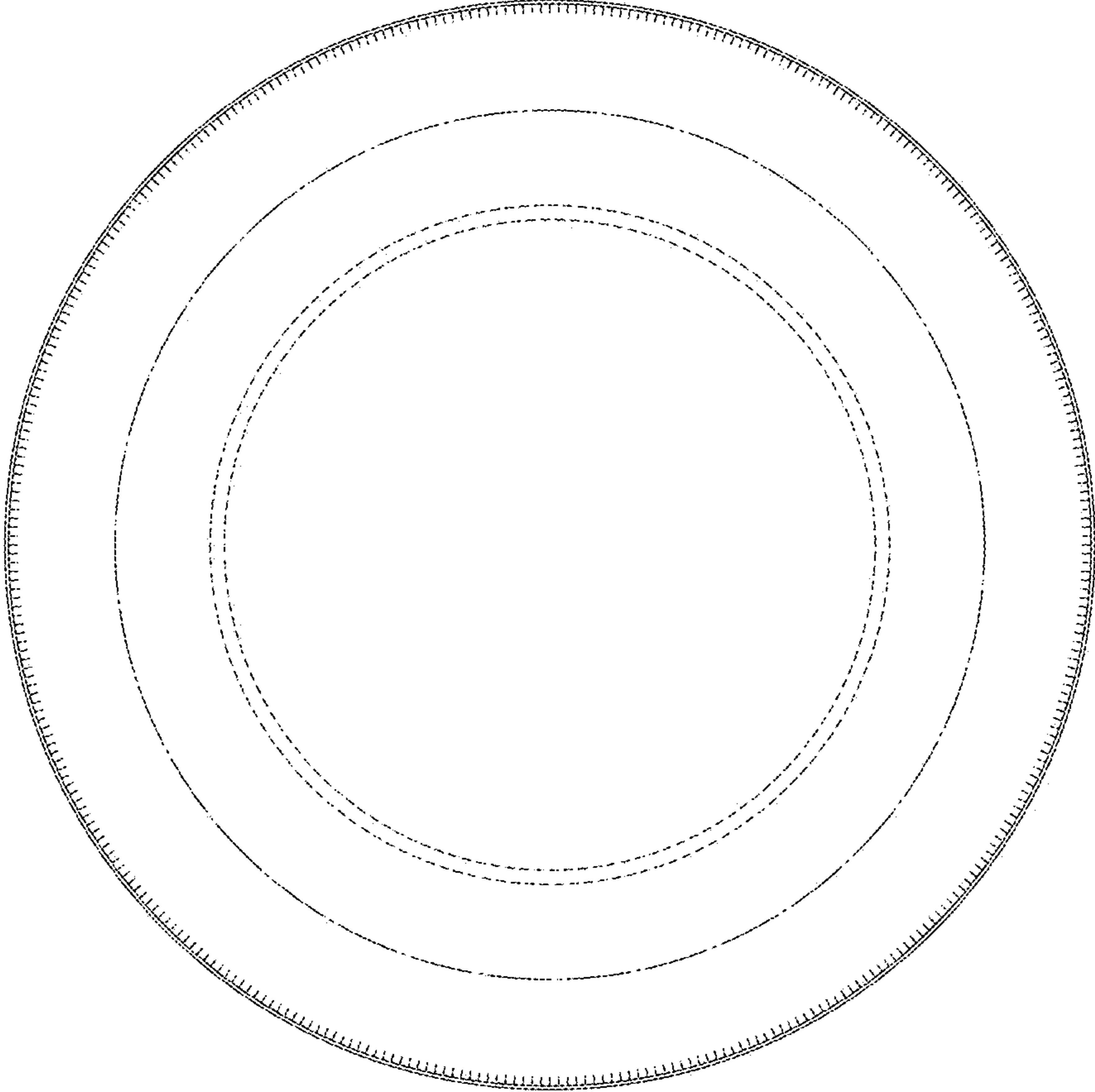


FIG. 6

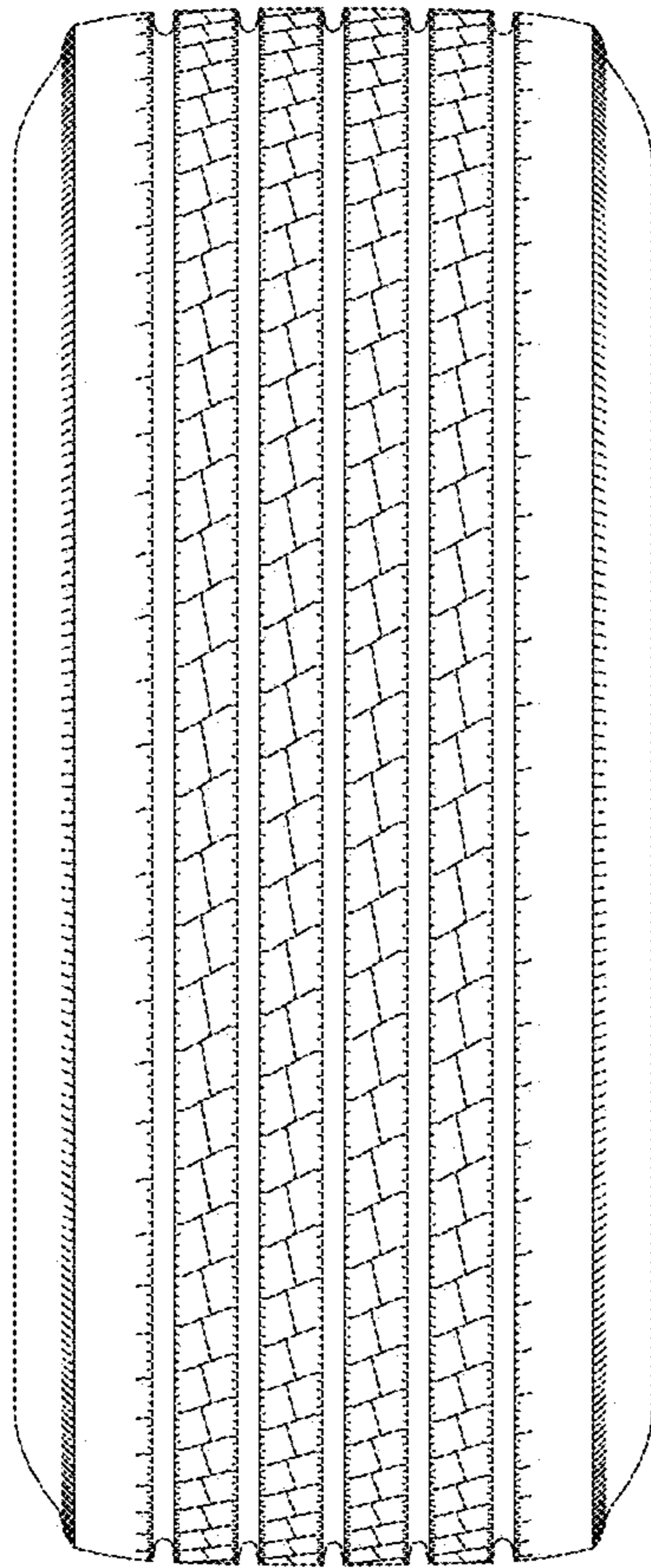


FIG. 7

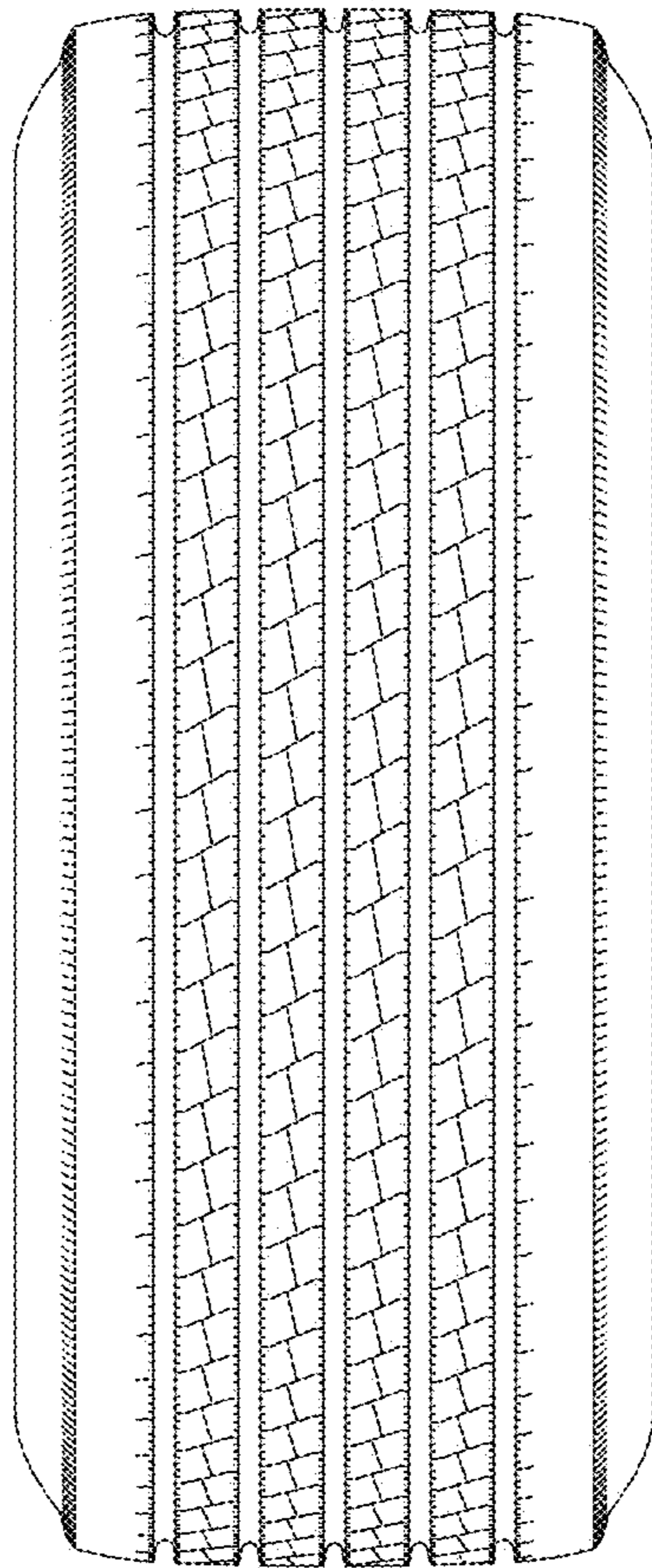


FIG. 8

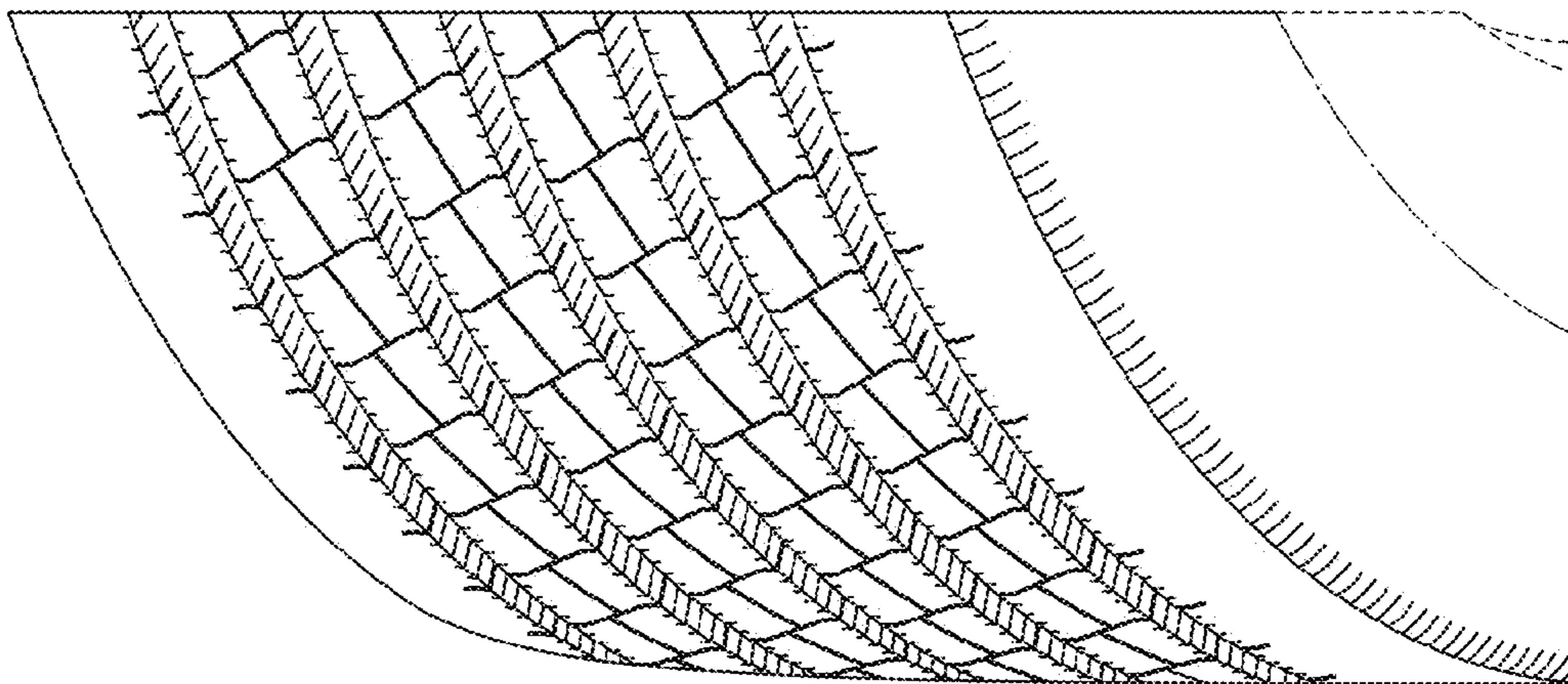


FIG. 9

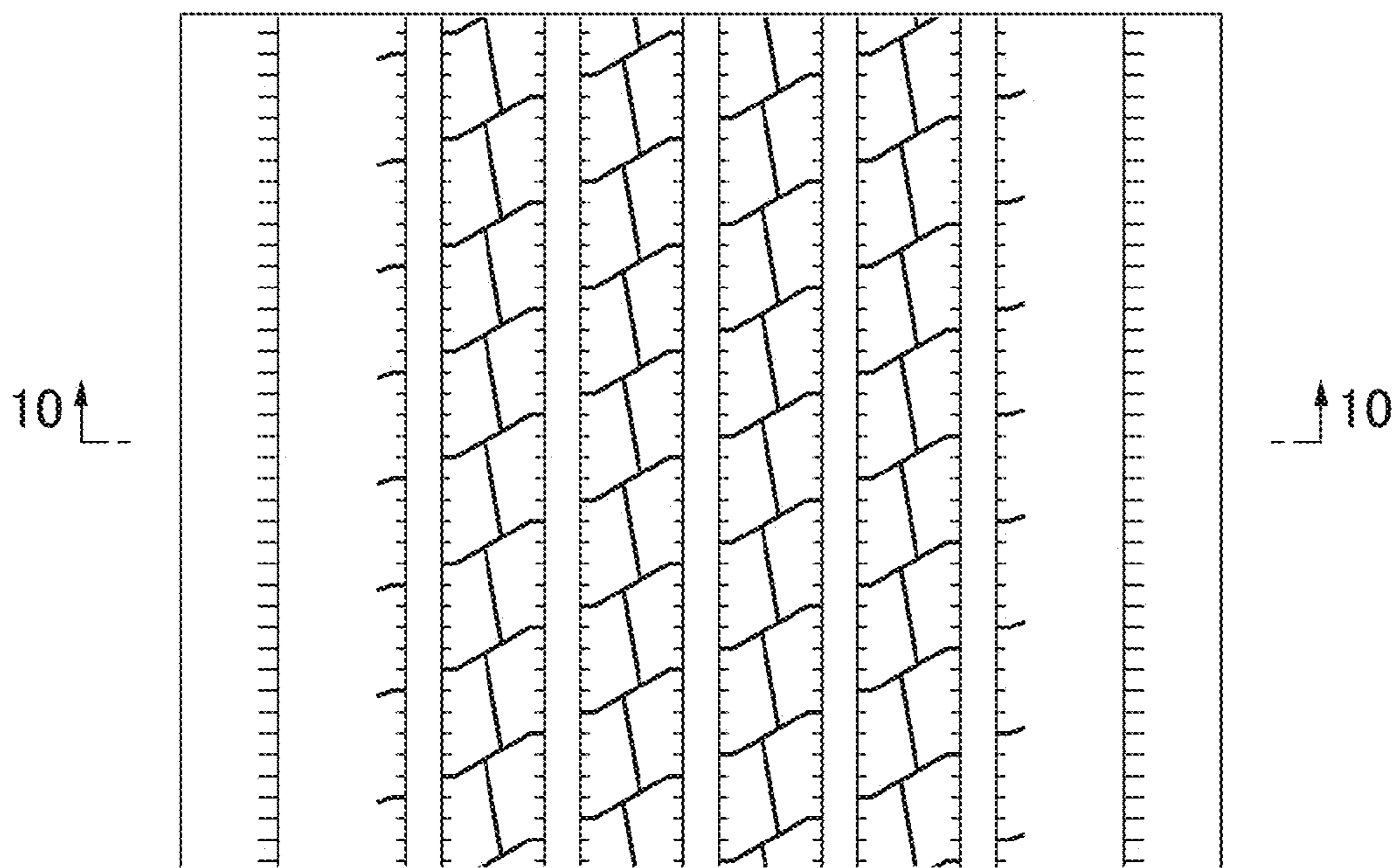


FIG. 10

