



US00D757638S

(12) **United States Design Patent**
Yoon

(10) **Patent No.:** **US D757,638 S**

(45) **Date of Patent:** **** May 31, 2016**

(54) **TIRE TREAD**

(71) Applicant: **HANKOOK TIRE CO., LTD.**, Seoul (KR)

(72) Inventor: **Sung Hee Yoon**, Seoul (KR)

(73) Assignee: **Hankook Tire Co., Ltd.**, Seoul (KR)

(**) Term: **14 Years**

(21) Appl. No.: **29/508,199**

(22) Filed: **Nov. 4, 2014**

(30) **Foreign Application Priority Data**

May 15, 2014 (KR) 30-2014-0024049

(51) **LOC (10) Cl.** **12-15**

(52) **U.S. Cl.**
USPC **D12/545**

(58) **Field of Classification Search**
USPC D12/533-567; 152/209.1-209.28
CPC B60C 1/00; B60C 11/0302; B60C
2011/0348; B60C 2011/0313; B60C
2011/0351; B60C 2011/0362
See application file for complete search history.

(56) **References Cited**

U.S. PATENT DOCUMENTS

| | | | | |
|-----------|------|---------|-------------------------|------------|
| 5,435,366 | A * | 7/1995 | Voigt et al. | 152/209.18 |
| D455,116 | S * | 4/2002 | Graas et al. | D12/553 |
| 6,837,285 | B2 * | 1/2005 | Eromaki | 152/209.18 |
| D551,613 | S * | 9/2007 | Lo | D12/564 |
| D592,588 | S * | 5/2009 | Heinen et al. | D12/564 |
| D595,640 | S * | 7/2009 | de Briey-Terlinden | D12/564 |
| D615,479 | S * | 5/2010 | Lee | D12/552 |
| D640,184 | S * | 6/2011 | de Briey-Terlinden | D12/553 |
| D640,966 | S * | 7/2011 | Fontaine et al. | D12/563 |
| 8,020,595 | B2 * | 9/2011 | Kiwaki et al. | 152/209.7 |
| D683,301 | S * | 5/2013 | Kang | D12/552 |
| D694,172 | S * | 11/2013 | Takei | D12/553 |
| D716,720 | S * | 11/2014 | Seng et al. | D12/563 |

| | | | | |
|----------|-----|--------|-------------------------|---------|
| D721,322 | S * | 1/2015 | Raatikainen et al. | D12/545 |
| D721,324 | S * | 1/2015 | Matsumoto et al. | D12/563 |
| D721,325 | S * | 1/2015 | Matsumoto et al. | D12/563 |
| D722,554 | S * | 2/2015 | Knispel et al. | D12/564 |
| D722,555 | S * | 2/2015 | Knispel et al. | D12/564 |
| D723,453 | S * | 3/2015 | Knispel et al. | D12/563 |
| D728,455 | S * | 5/2015 | Matsumoto et al. | D12/563 |
| D730,811 | S * | 6/2015 | Parr et al. | D12/564 |
| D733,038 | S * | 6/2015 | Raatikainen et al. | D12/545 |
| D733,639 | S * | 7/2015 | Fontaine et al. | D12/563 |

(Continued)

OTHER PUBLICATIONS

Do you need winter tires on your BMW?, posted at bmwblog.com, posting on Nov. 3, 2014, © 2015 bmwblog.com, [online], [site visited Nov. 6, 2015]. Available from Internet, <URL: http://www.bmwblog.com/2014/11/03/need-winter-tires-bmw>.*

Primary Examiner — Manpreet Matharu

Assistant Examiner — Aula Soroush

(74) *Attorney, Agent, or Firm* — Hamre, Schumann, Mueller & Larson, P.C.

(57) **CLAIM**

The ornamental design for a tire tread, as shown and described.

DESCRIPTION

FIG. 1 is a perspective view of a tire tread showing my new design, it being understood that the pattern is repeated uniformly throughout the circumference of the tread;

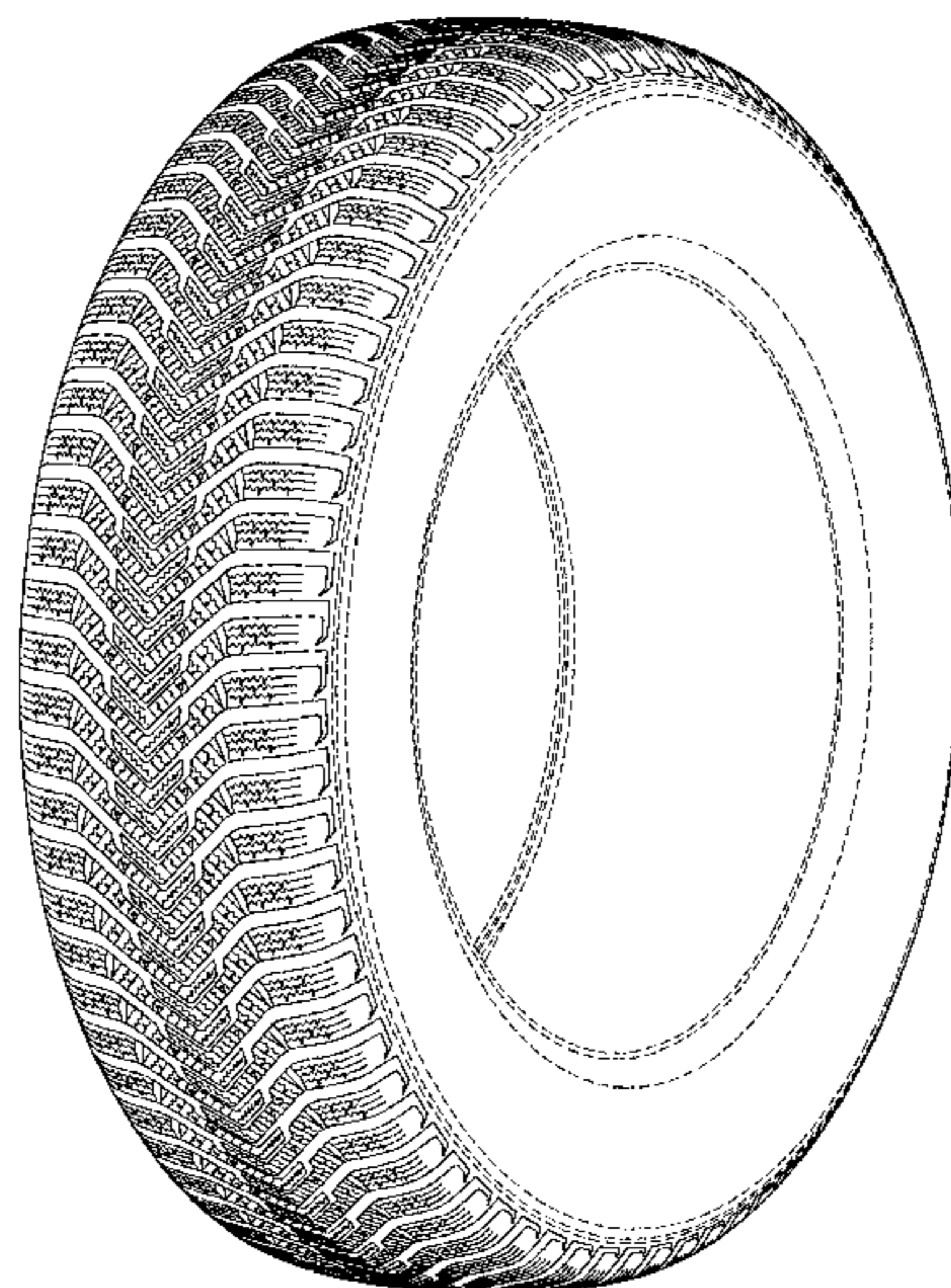
FIG. 2 is a front elevational view thereof; the rear elevation, top, and bottom plan views being a mirror image thereof;

FIG. 3 is a left side view thereof; the right side being a mirror image thereof; and,

FIG. 4 is an enlarged fragmentary view from upper 4-4 to lower 4-4 in FIG. 2.

The broken lines defining the side wall, inner bead and the peripheral boundary between the tire tread and sidewall illustrate environmental subject matter only and forms no part of the claimed design.

1 Claim, 4 Drawing Sheets



(56)

References Cited

U.S. PATENT DOCUMENTS

D734,244 S * 7/2015 Matsumoto et al. D12/563
D741,249 S * 10/2015 Kouda et al. D12/558
2004/0221936 A1* 11/2004 Kaiser et al. 152/209.1
2012/0103493 A1* 5/2012 Knispel 152/209.25

2012/0312438 A1* 12/2012 Shinzawa 152/209.8
2013/0118662 A1* 5/2013 Kameda 152/209.8
2013/0153100 A1* 6/2013 Piffard et al. 152/209.1
2015/0191050 A1* 7/2015 Matsumoto 152/209.25
2015/0266345 A1* 9/2015 Takei 152/209.8
2015/0298506 A1* 10/2015 Katayama et al. 152/209.5

* cited by examiner

Fig. 1

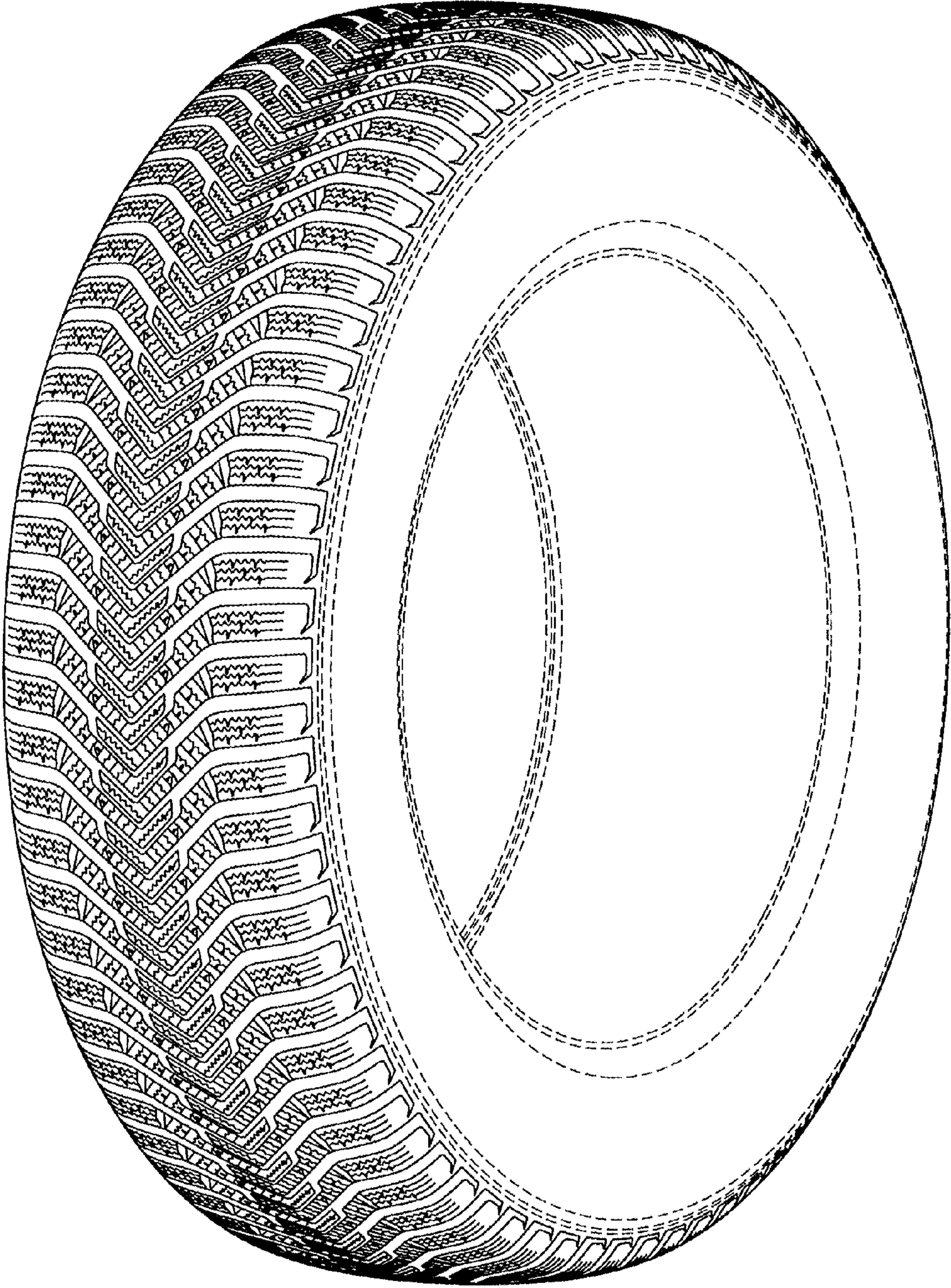


Fig. 2

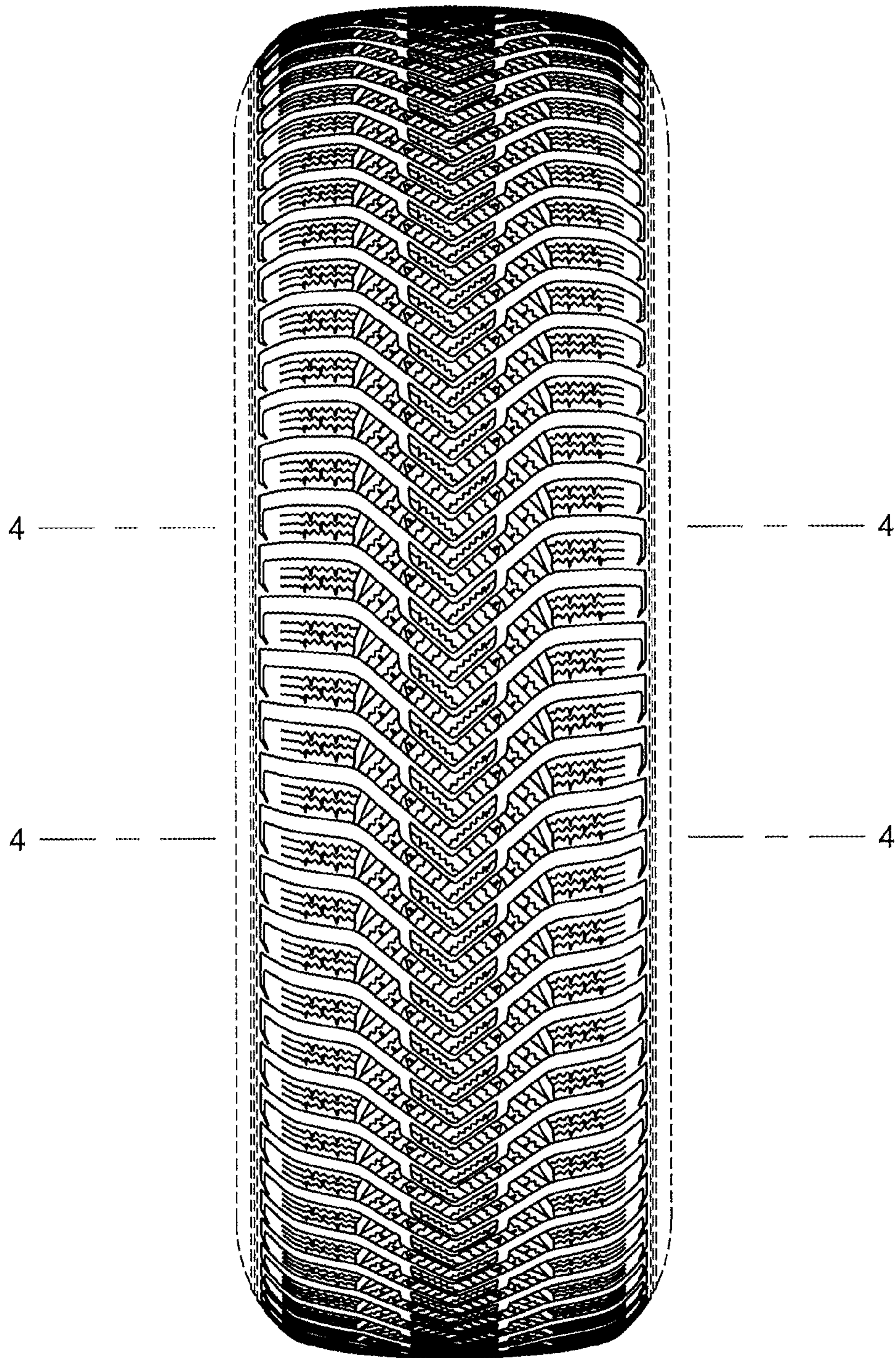


Fig. 3

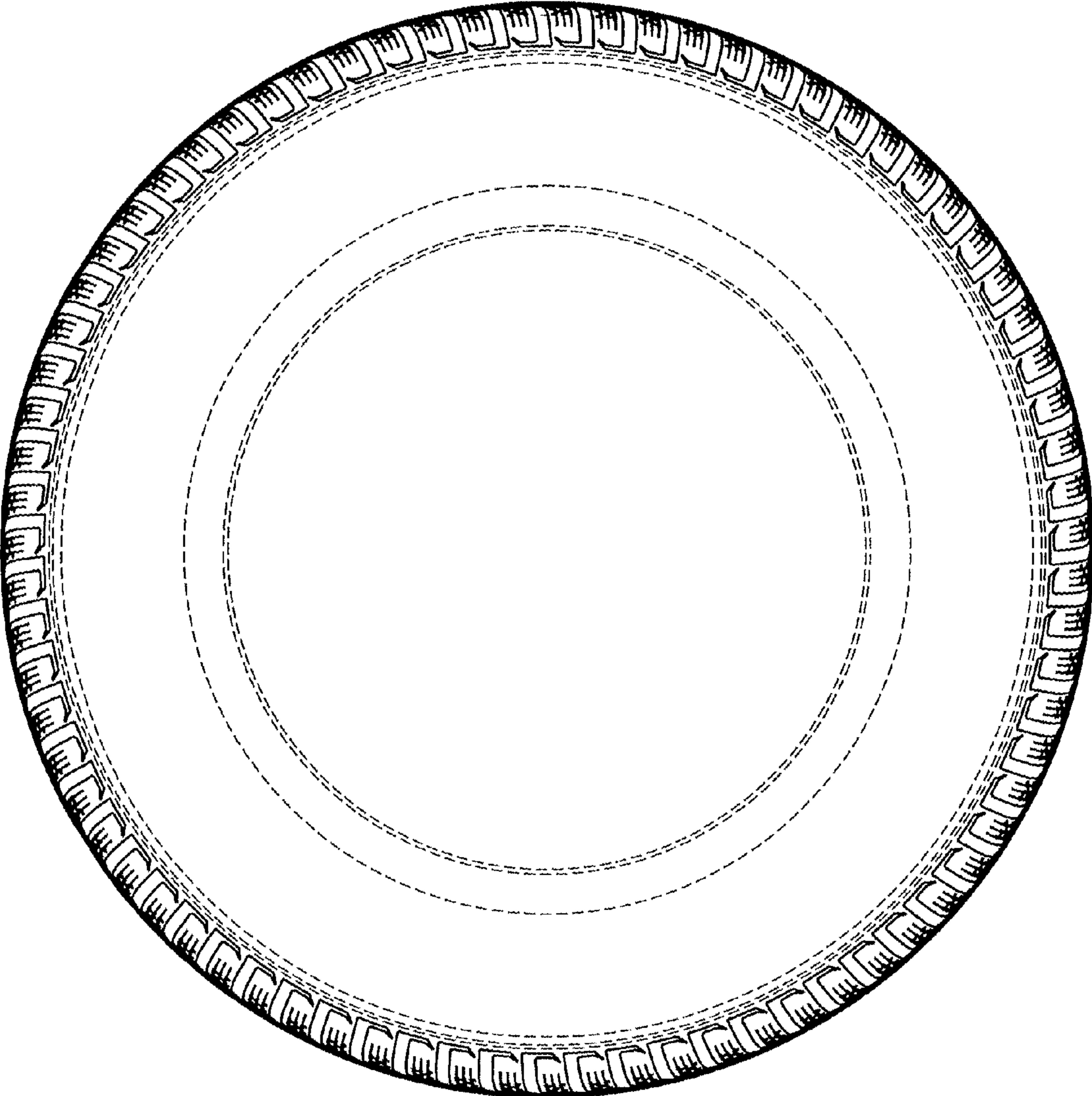


Fig. 4

