



US00D757634S

(12) **United States Design Patent**
Uusitalo

(10) **Patent No.:** **US D757,634 S**

(45) **Date of Patent:** **** May 31, 2016**

(54) **VEHICLE ARMREST**

(71) Applicant: **Kero Uusitalo**, Halkia (FI)

(72) Inventor: **Kero Uusitalo**, Halkia (FI)

(73) Assignee: **ROCLA OYJ**, Jarvenpaa (FI)

(**) Term: **14 Years**

(21) Appl. No.: **29/500,030**

(22) Filed: **Aug. 20, 2014**

(30) **Foreign Application Priority Data**

Feb. 21, 2014 (EM) 002409508-0001

(51) **LOC (10) Cl.** **12-16**

(52) **U.S. Cl.**
USPC **D12/421**

(58) **Field of Classification Search**
USPC D12/421, 515, 416, 419
CPC B60N 2/46

See application file for complete search history.

(56) **References Cited**

U.S. PATENT DOCUMENTS

D373,344 S *	9/1996	Wissen, Jr.	D12/421
D502,910 S *	3/2005	Klopp, III	D12/421
D532,361 S *	11/2006	Seidel	D12/415
D568,232 S *	5/2008	Motozaki	D12/421
D581,862 S *	12/2008	Anttila	D12/421
D742,301 S *	11/2015	Kasparian	D12/421
D742,806 S *	11/2015	Vissers	D12/421
D742,807 S *	11/2015	Vissers	D12/421

* cited by examiner

Primary Examiner — Katrina A Betton

(74) *Attorney, Agent, or Firm* — Klauber & Jackson LLC

(57) **CLAIM**

The ornamental design for a vehicle armrest, as shown and described.

DESCRIPTION

FIG. 1 is a perspective view showing the top, front and left sides of the vehicle armrest of my new design;
FIG. 2 is a right side view thereof;
FIG. 3 is a left side view thereof;
FIG. 4 is a front view thereof;
FIG. 5 is a rear view thereof;
FIG. 6 is a top view thereof; and,
FIG. 7 is a bottom view thereof.

1 Claim, 4 Drawing Sheets

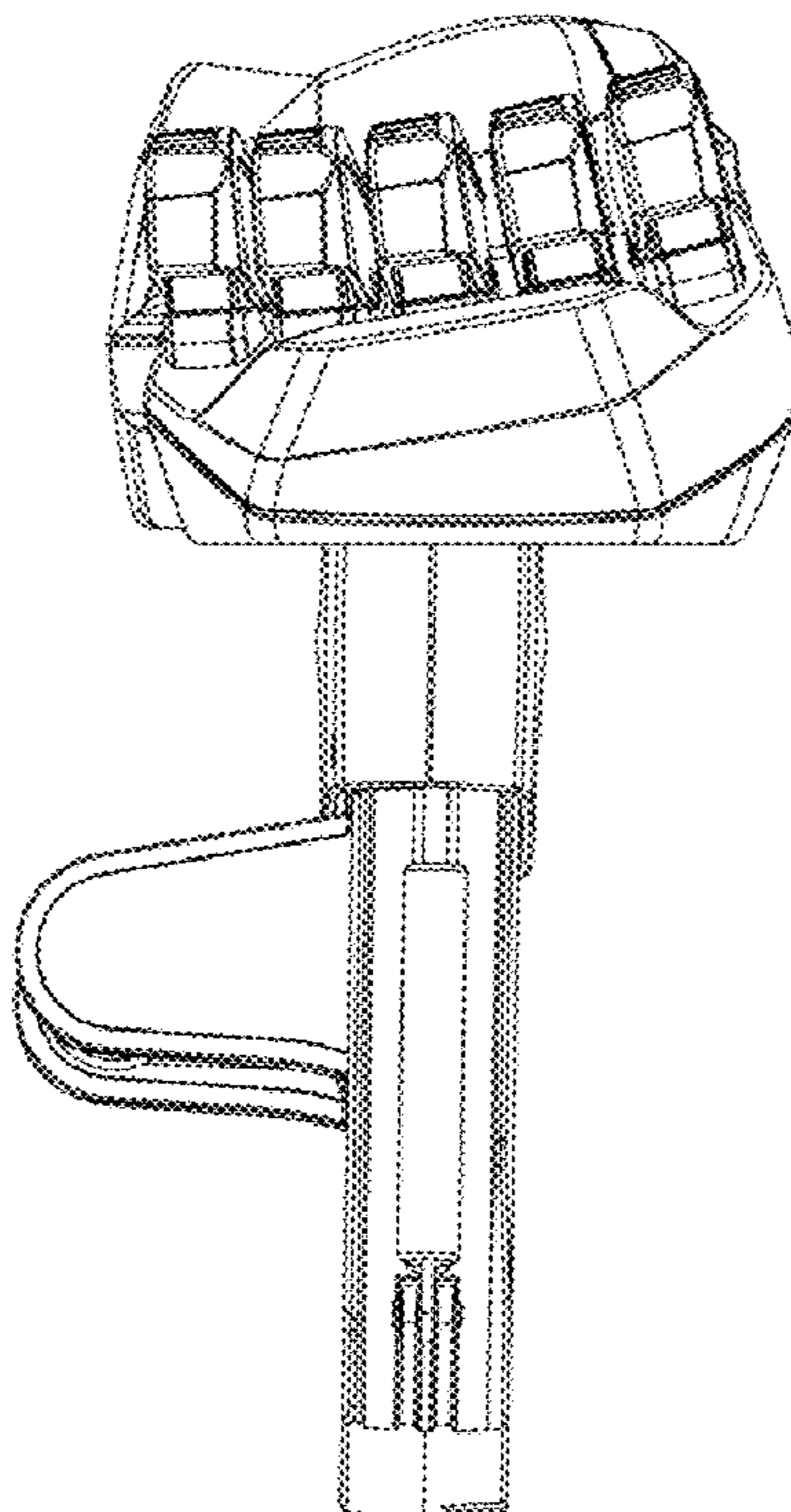


FIG. 1

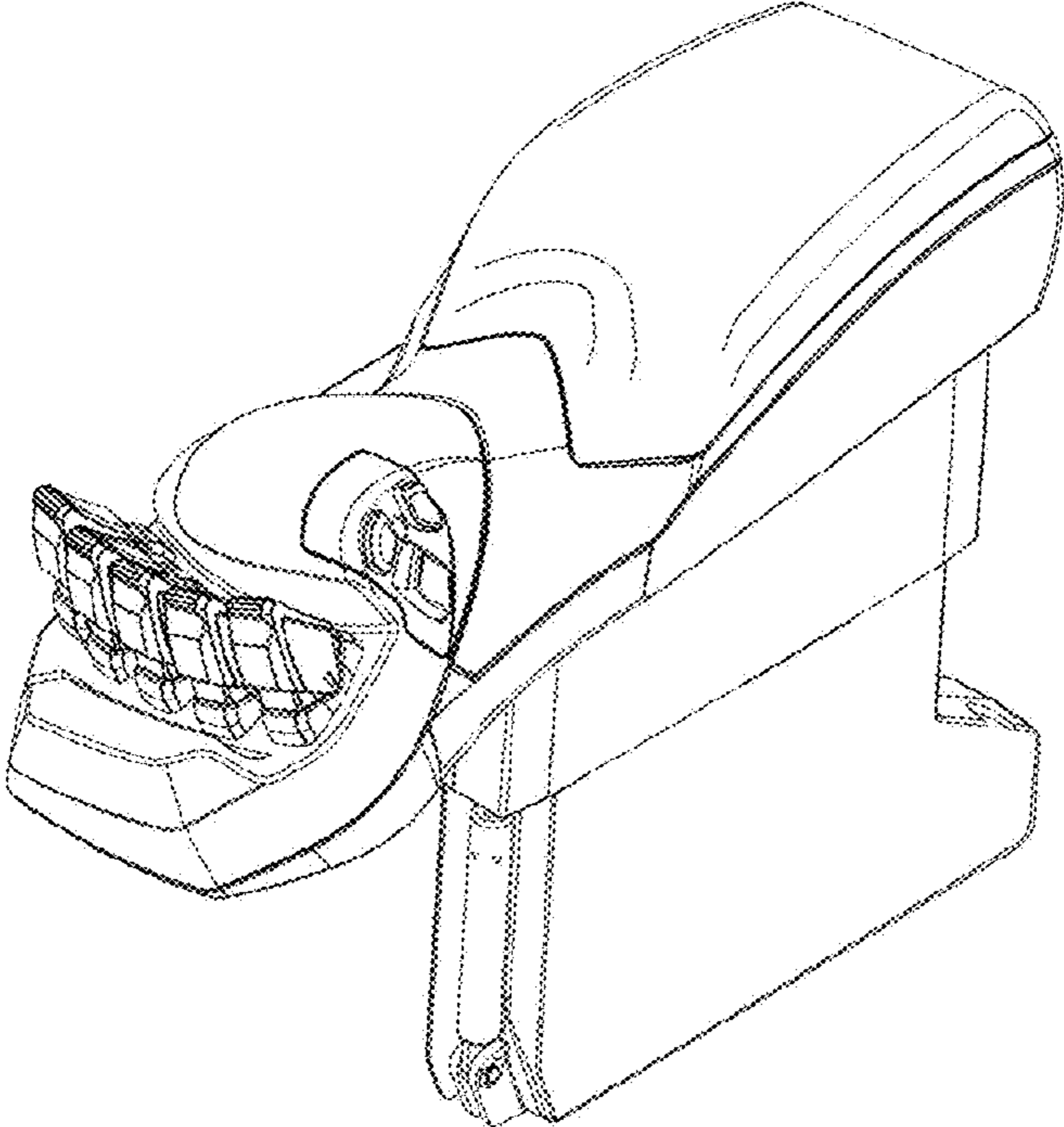


FIG. 2

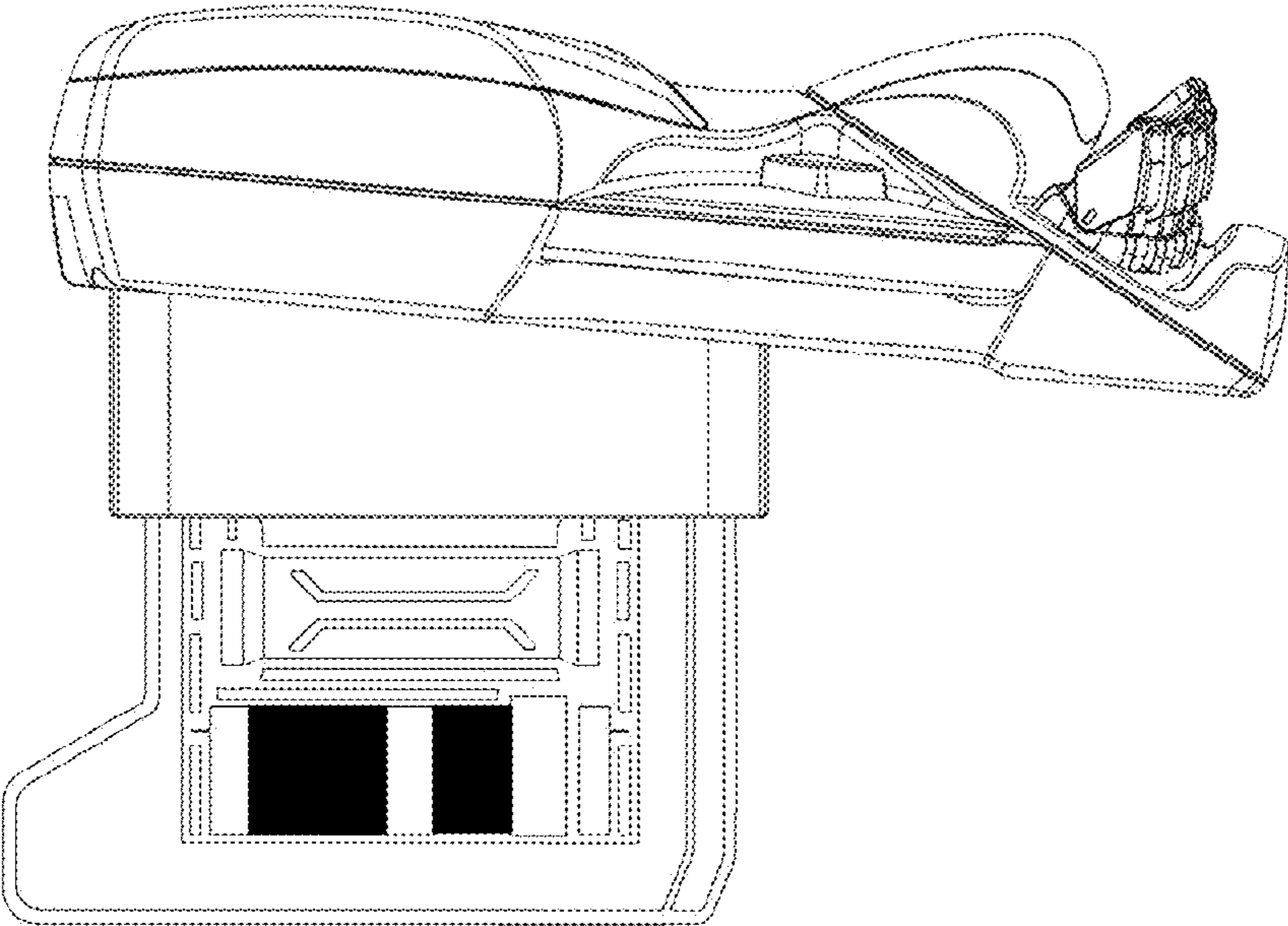


FIG. 3

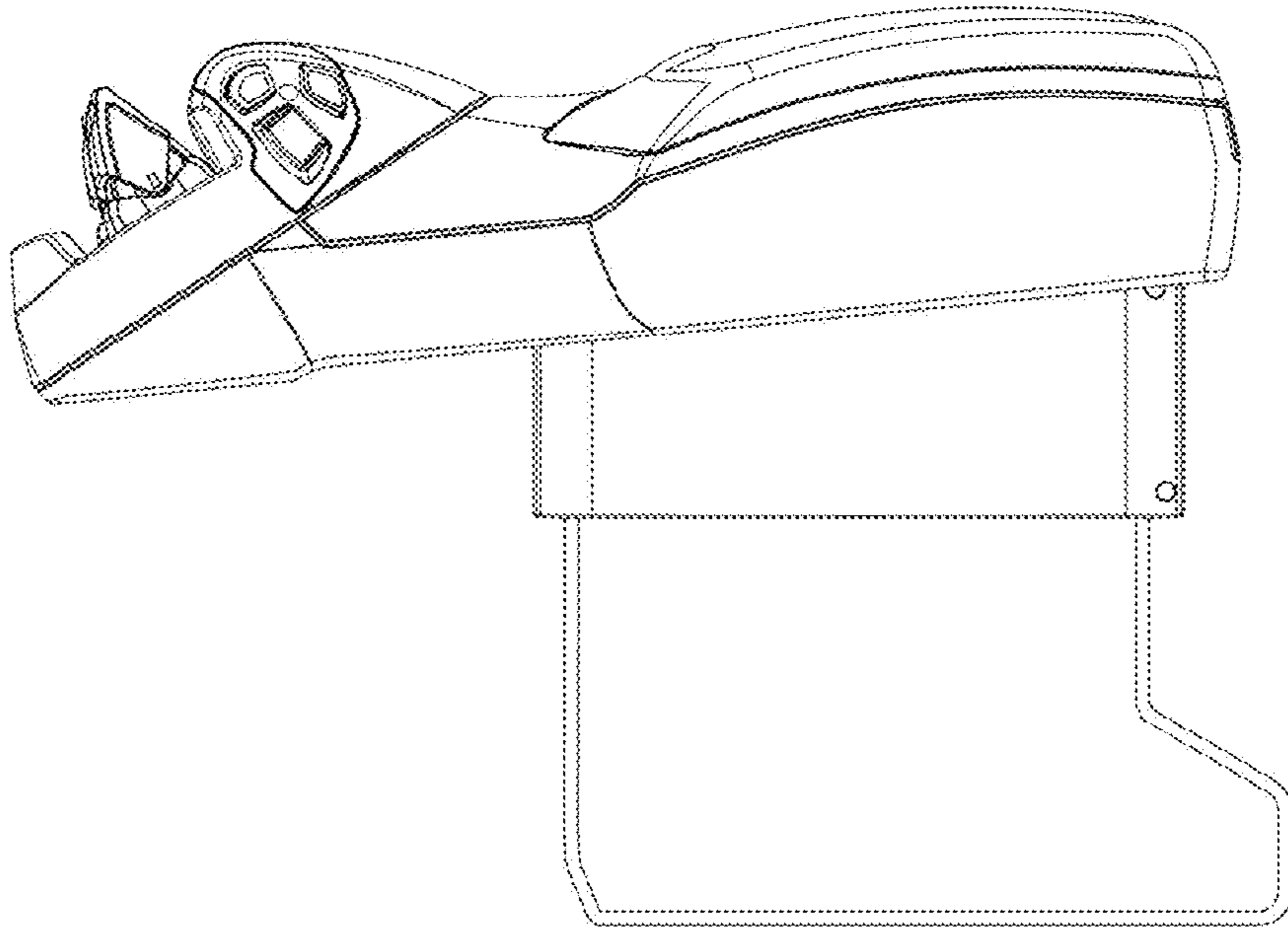


FIG. 4

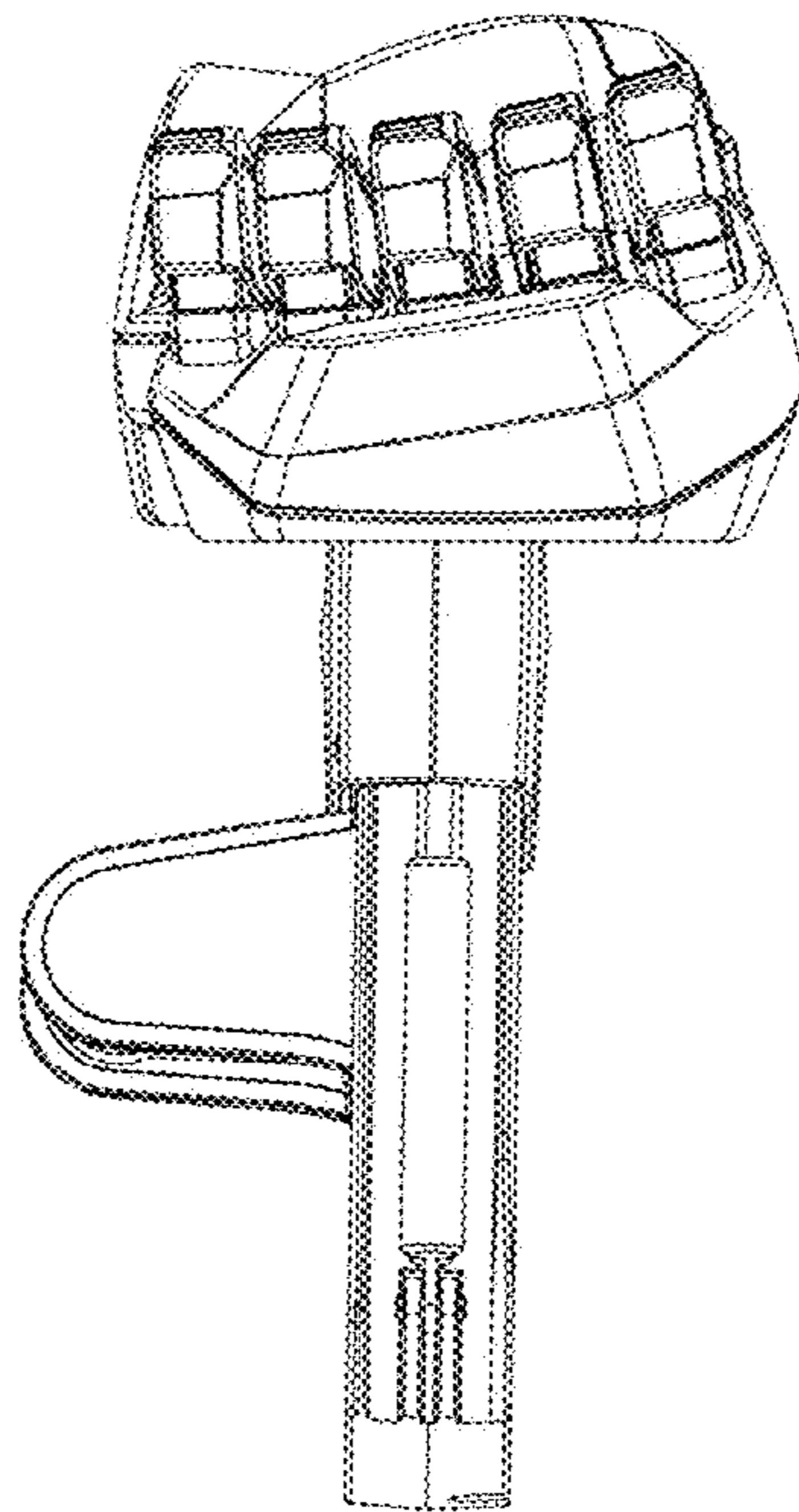


FIG. 5

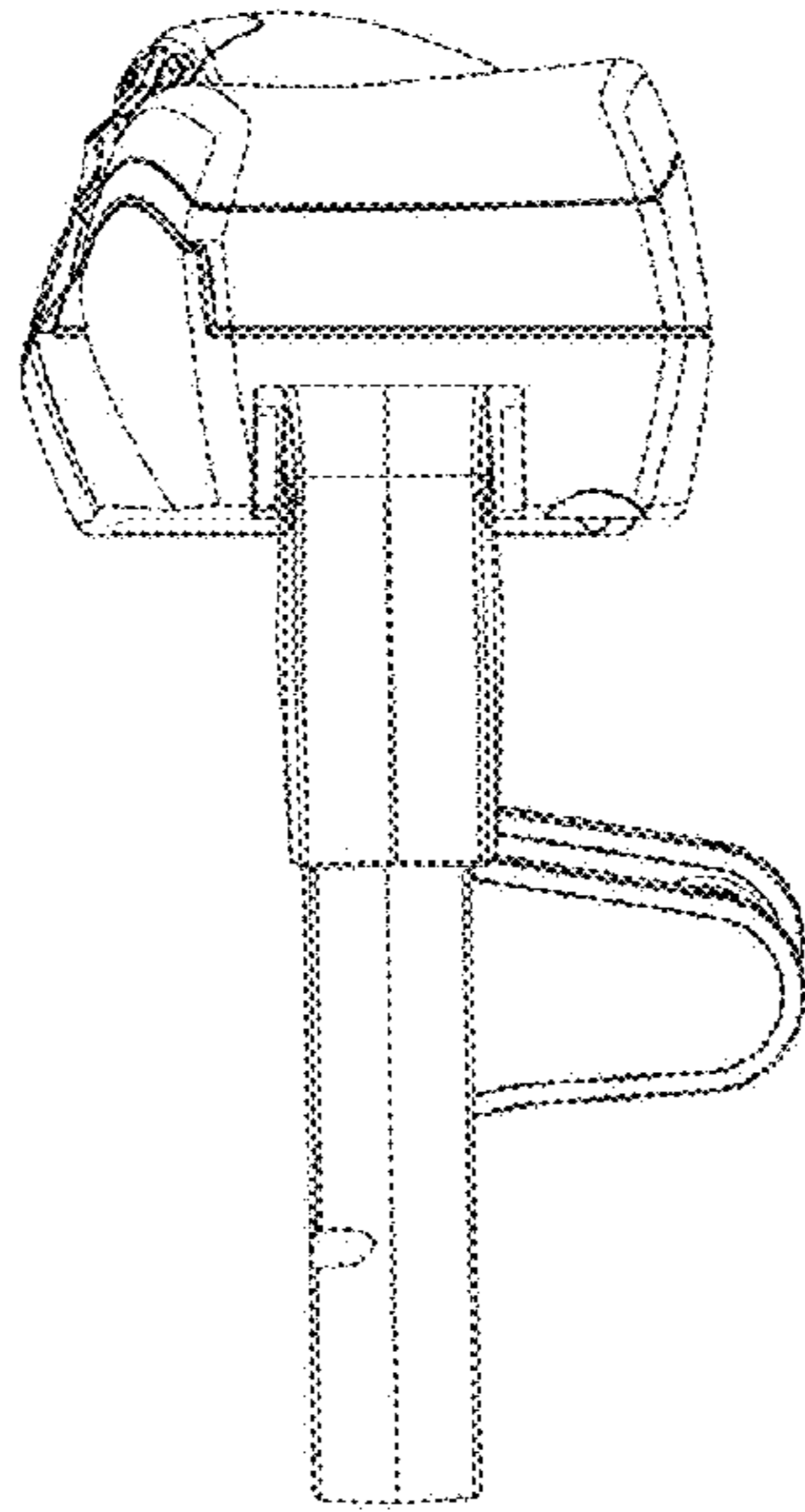


FIG. 6

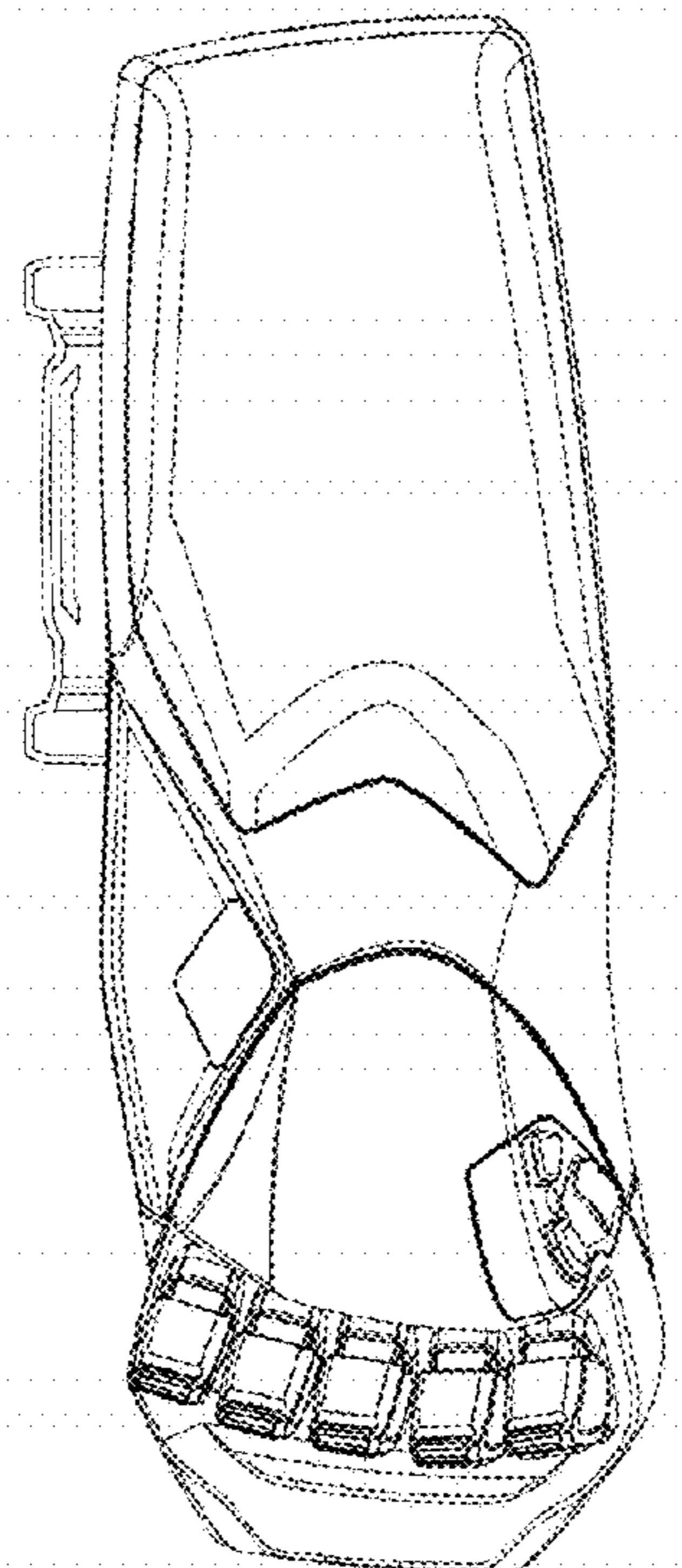


FIG. 7

