



US00D757633S

(12) **United States Design Patent**
Terranova et al.

(10) **Patent No.:** **US D757,633 S**
(45) **Date of Patent:** **** May 31, 2016**

(54) **VEHICLE ARMRESTOR**

D742,806 S * 11/2015 Vissers D12/421

* cited by examiner

(71) Applicants: **Robert Terranova**, Jackson, NJ (US);
Diana Terranova, Jackson, NJ (US)

Primary Examiner — Katrina A Betton

(72) Inventors: **Robert Terranova**, Jackson, NJ (US);
Diana Terranova, Jackson, NJ (US)

(57) **CLAIM**

The ornamental design for a vehicle armrestor, as shown and described.

(**) Term: **14 Years**

DESCRIPTION

(21) Appl. No.: **29/474,570**

FIG. 1 is a front perspective view of an arm restor that which faces the inner door panel;

(22) Filed: **Nov. 4, 2014**

FIG. 2 is a bottom perspective view of a FIG. 1;

(51) **LOC (10) Cl.** **12-16**

FIG. 3 is a rear perspective view of a FIG. 1;

(52) **U.S. Cl.**

FIG. 4 is a top perspective view of a FIG. 1;

USPC **D12/421**

FIG. 5 is a right perspective view of a FIG. 1;

(58) **Field of Classification Search**

FIG. 6 is a left perspective view of a FIG. 1;

USPC D12/421, 515, 416, 419

FIG. 7 is a top exploded view of an armrestor's attachable parts;

CPC B60N 2/46

See application file for complete search history.

FIG. 8 is a bottom exploded view of a FIG. 7;

(56) **References Cited**

FIG. 9 is a right side exploded perspective view of a FIG. 5;

U.S. PATENT DOCUMENTS

D252,540 S * 8/1979 Murphy D12/419

FIG. 10 is a left side exploded perspective view of a FIG. 6;

D294,136 S * 2/1988 Eide D12/419

FIG. 11 is a left side exploded view of a FIG. 10;

D374,856 S * 10/1996 Berninger D12/419

FIG. 12 is a rear broken view of a FIG. 3 rear perspective of its internal top part design; and,

D568,232 S * 5/2008 Motozaki D12/421

FIG. 13 is a top sectional with broken view of a FIG. 12's internal part design.

1 Claim, 13 Drawing Sheets

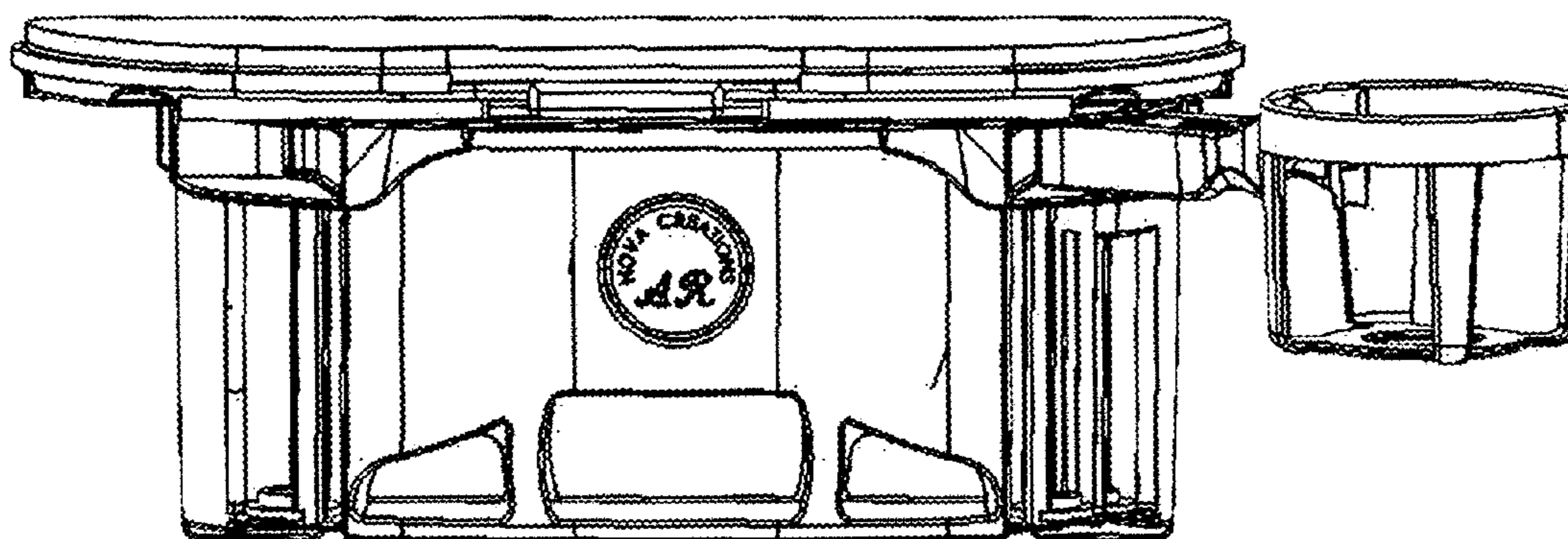


FIGURE 1

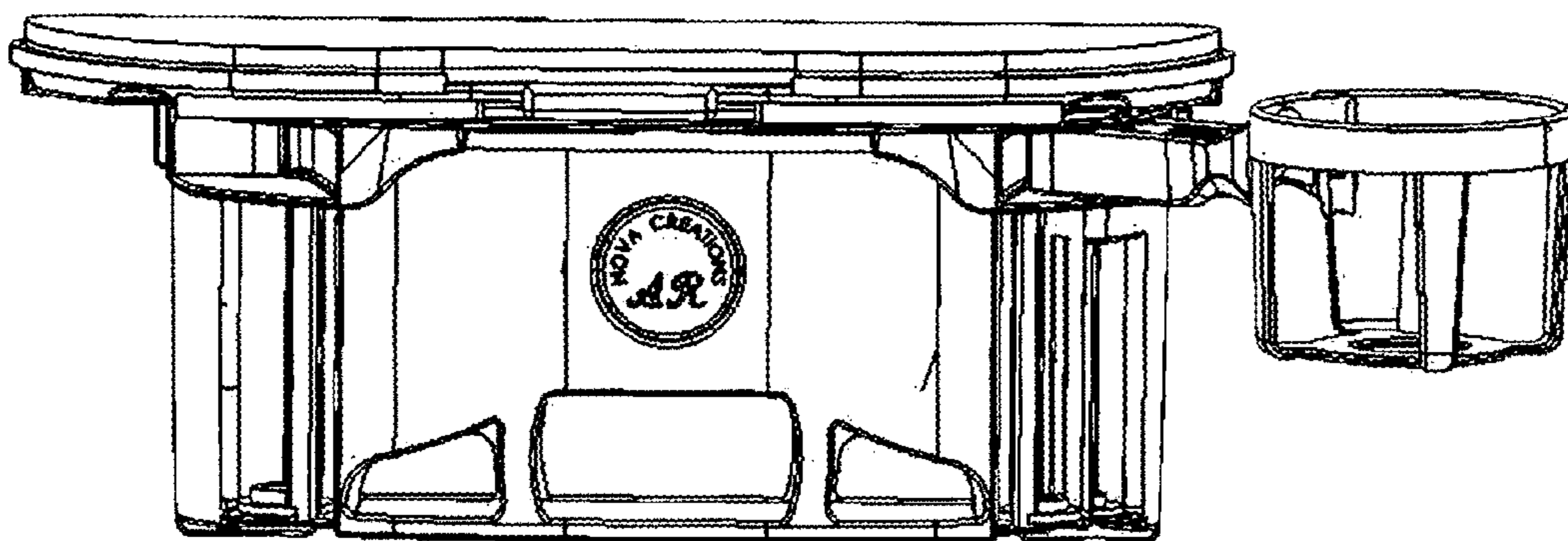


FIGURE 2

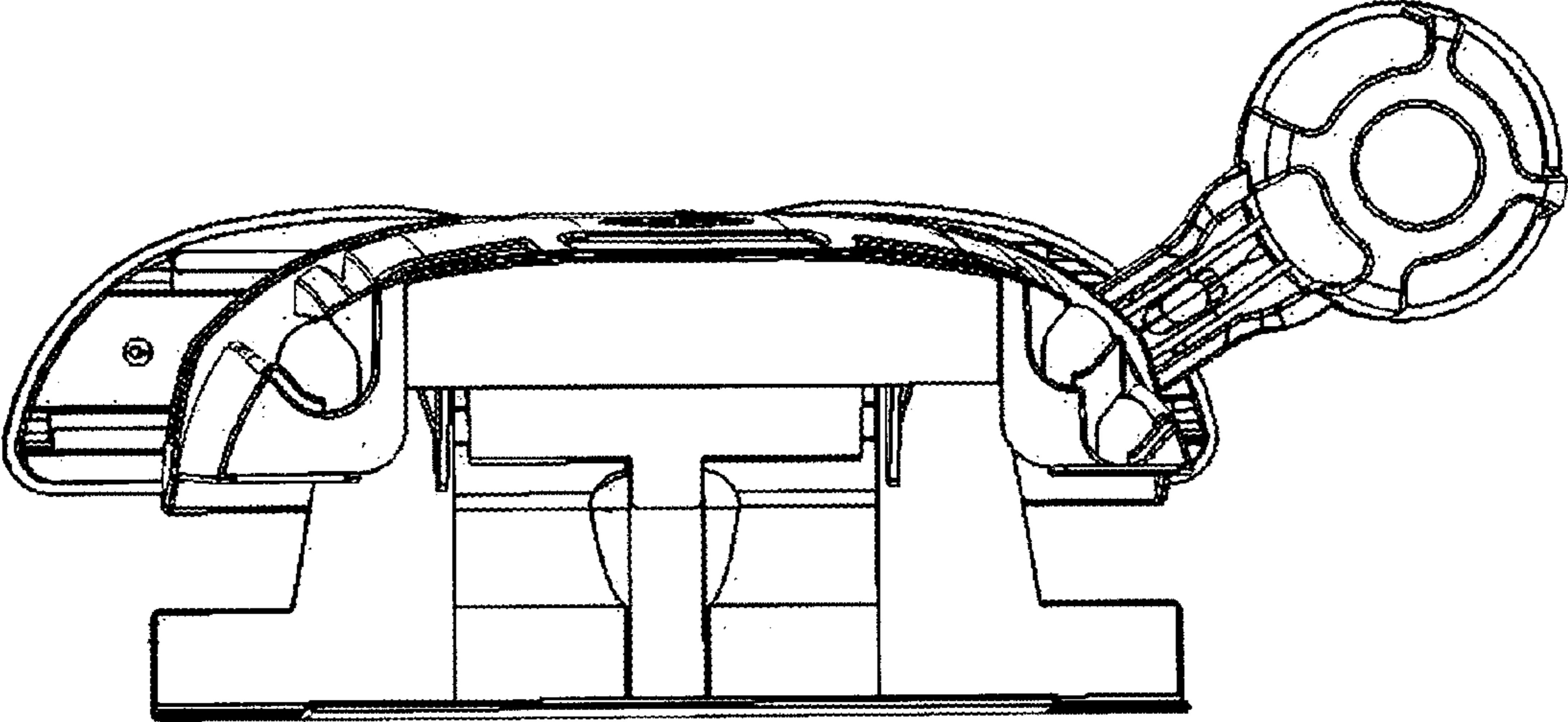


FIGURE 3

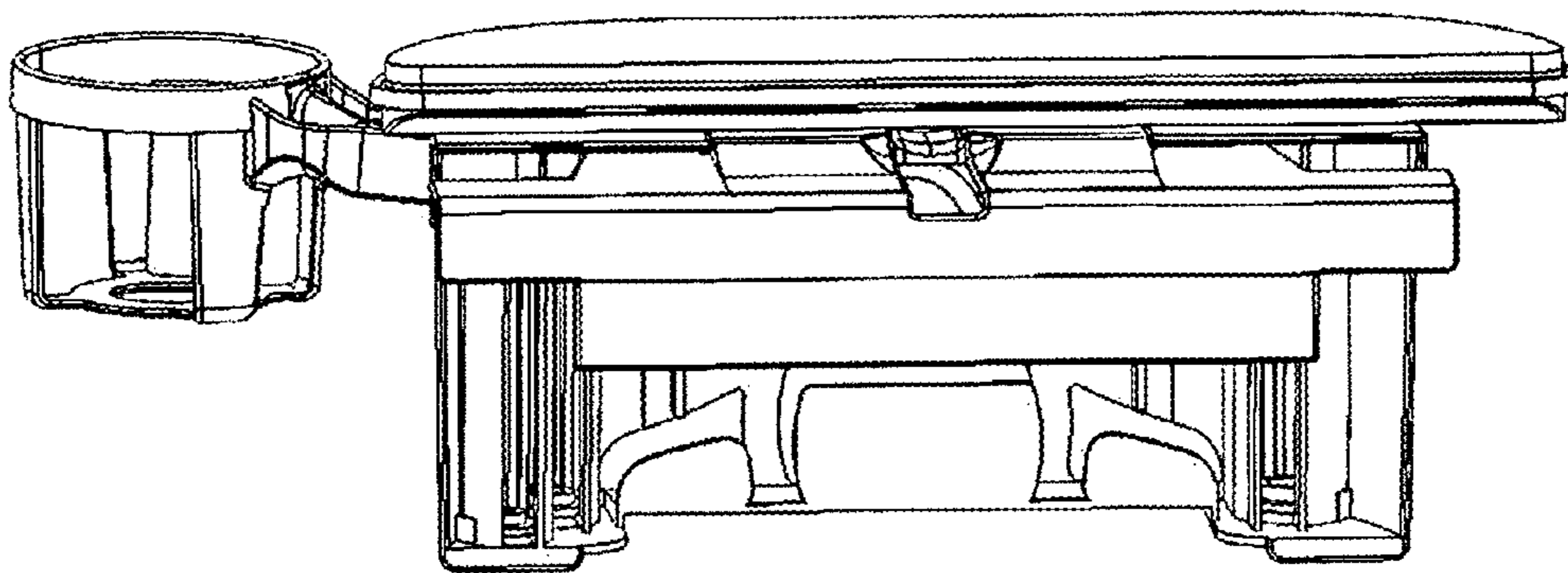


FIGURE 4

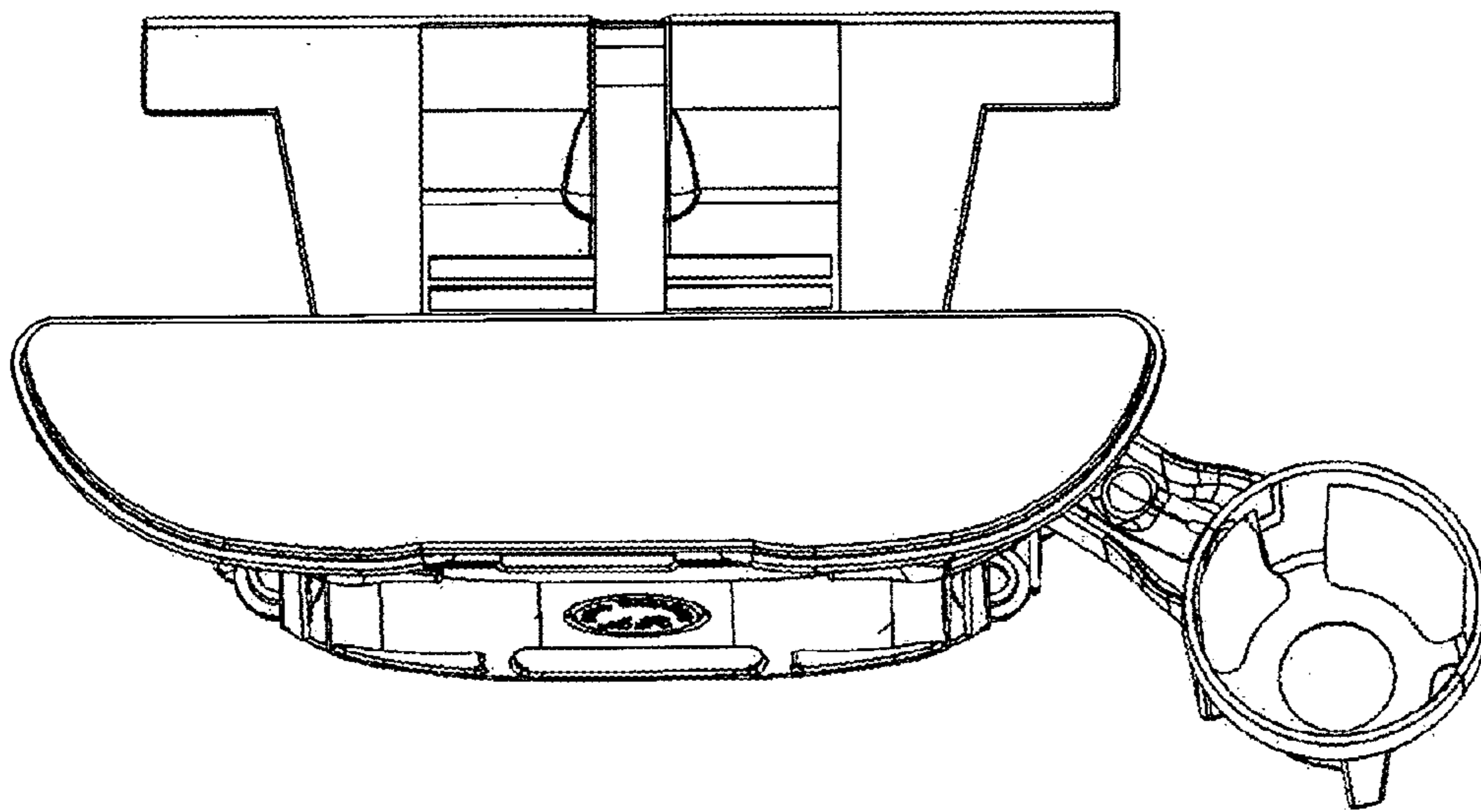


FIGURE 5

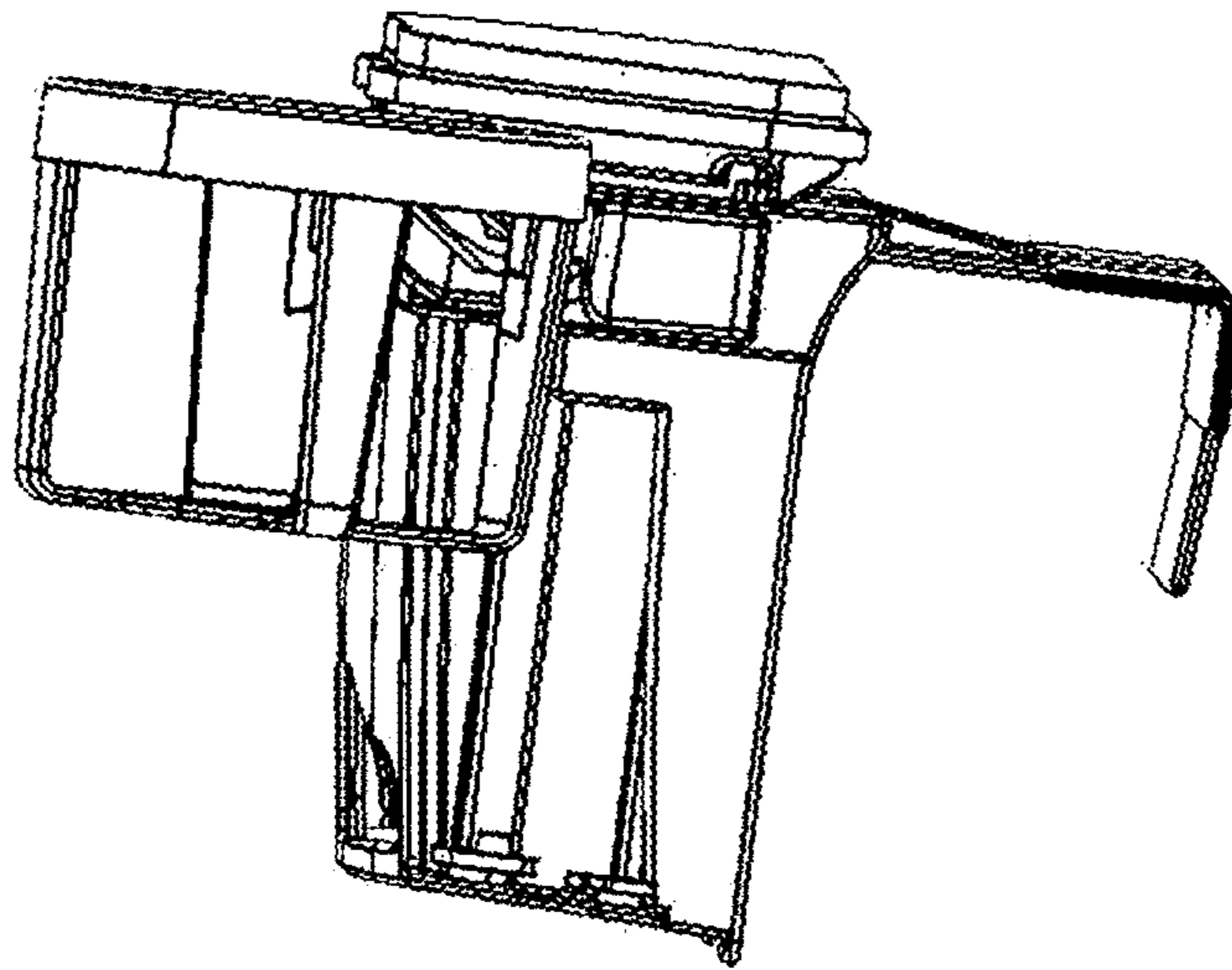


FIGURE 6

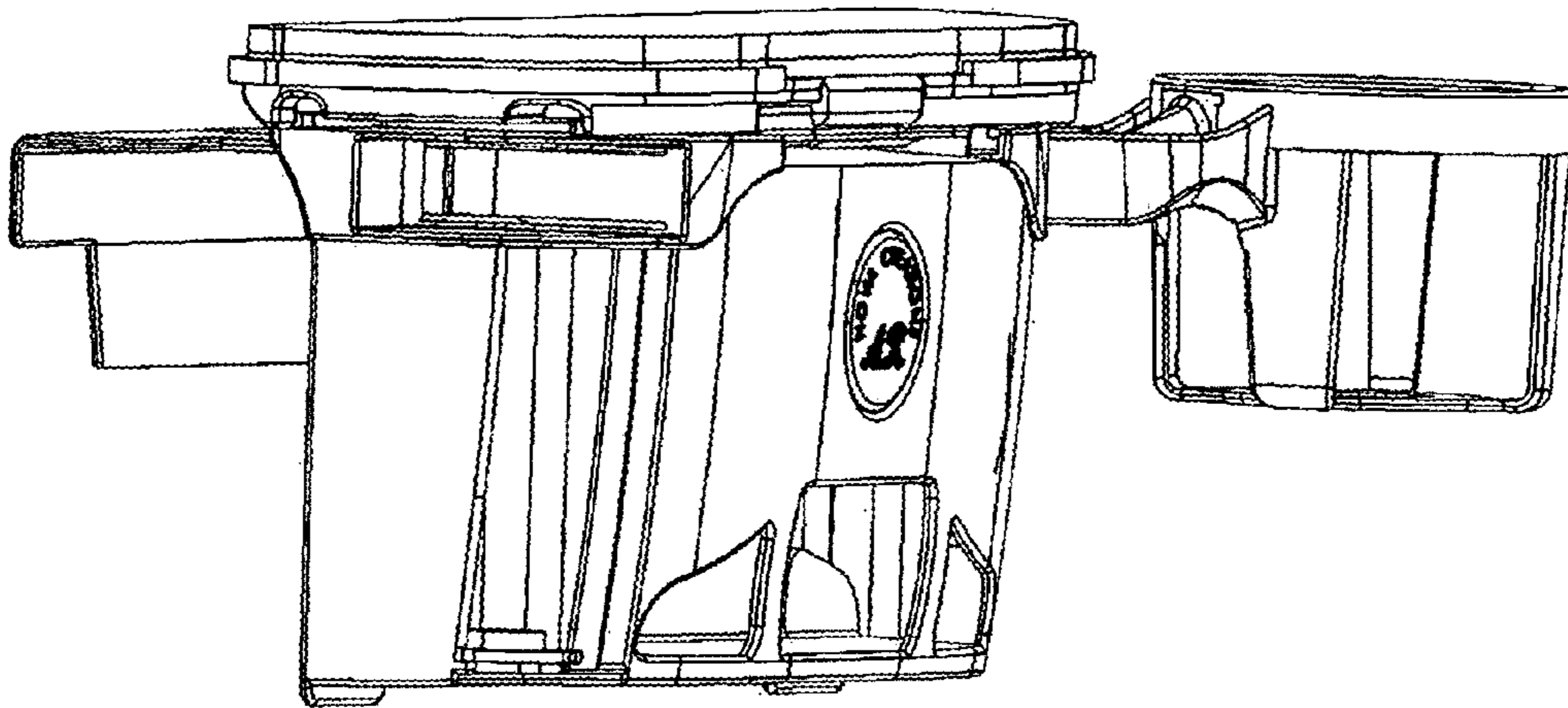


FIGURE 7

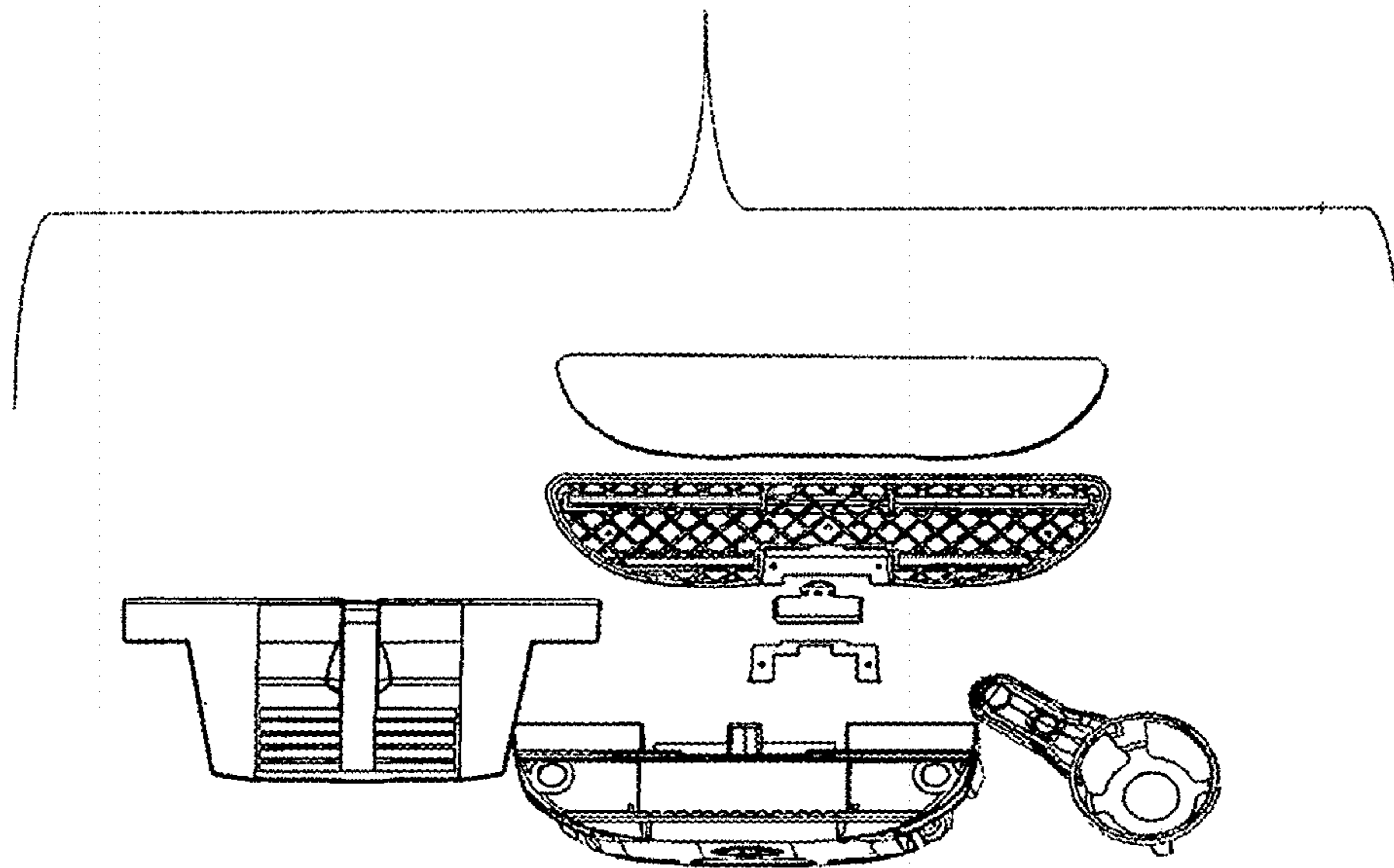


FIGURE 8

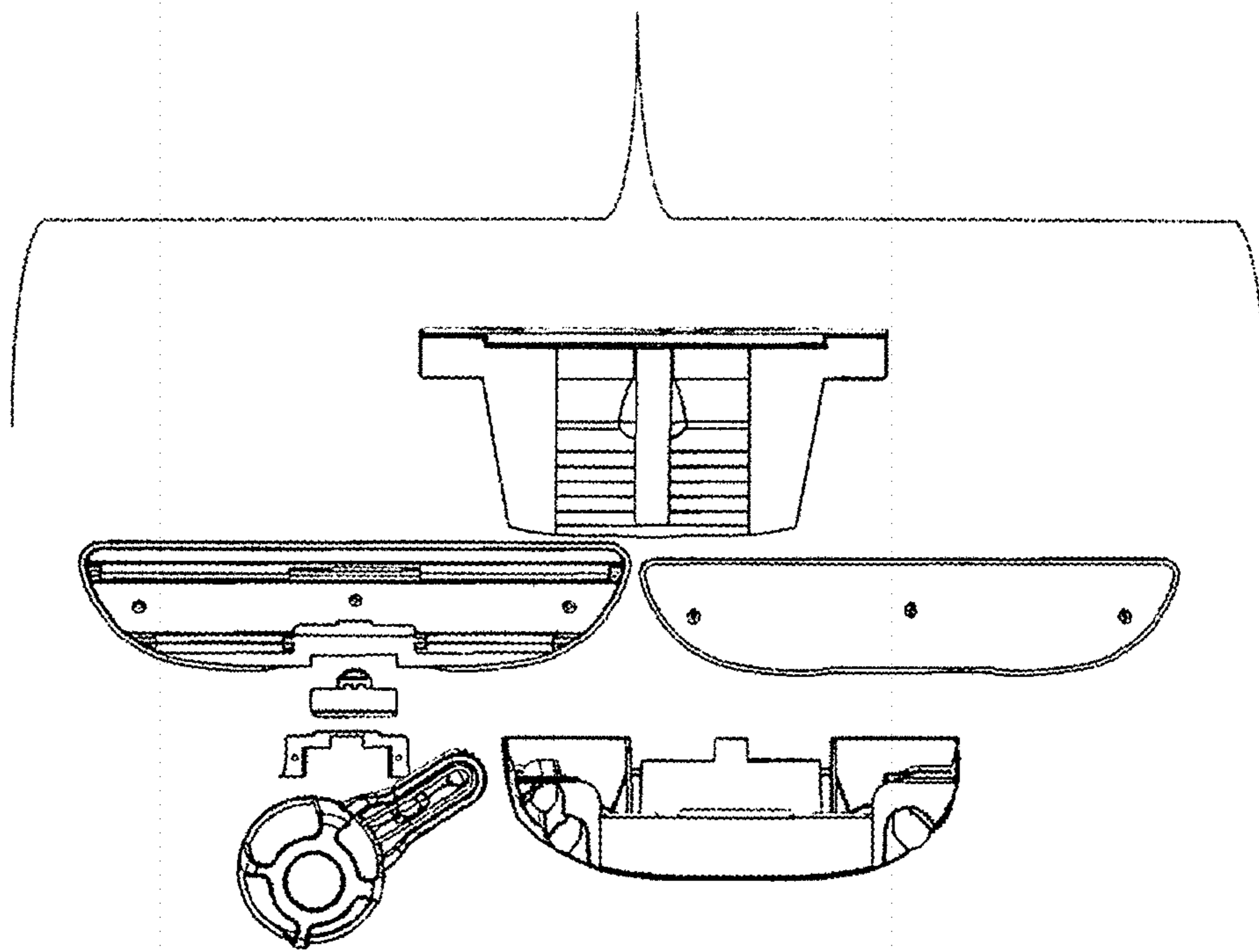


FIGURE 9

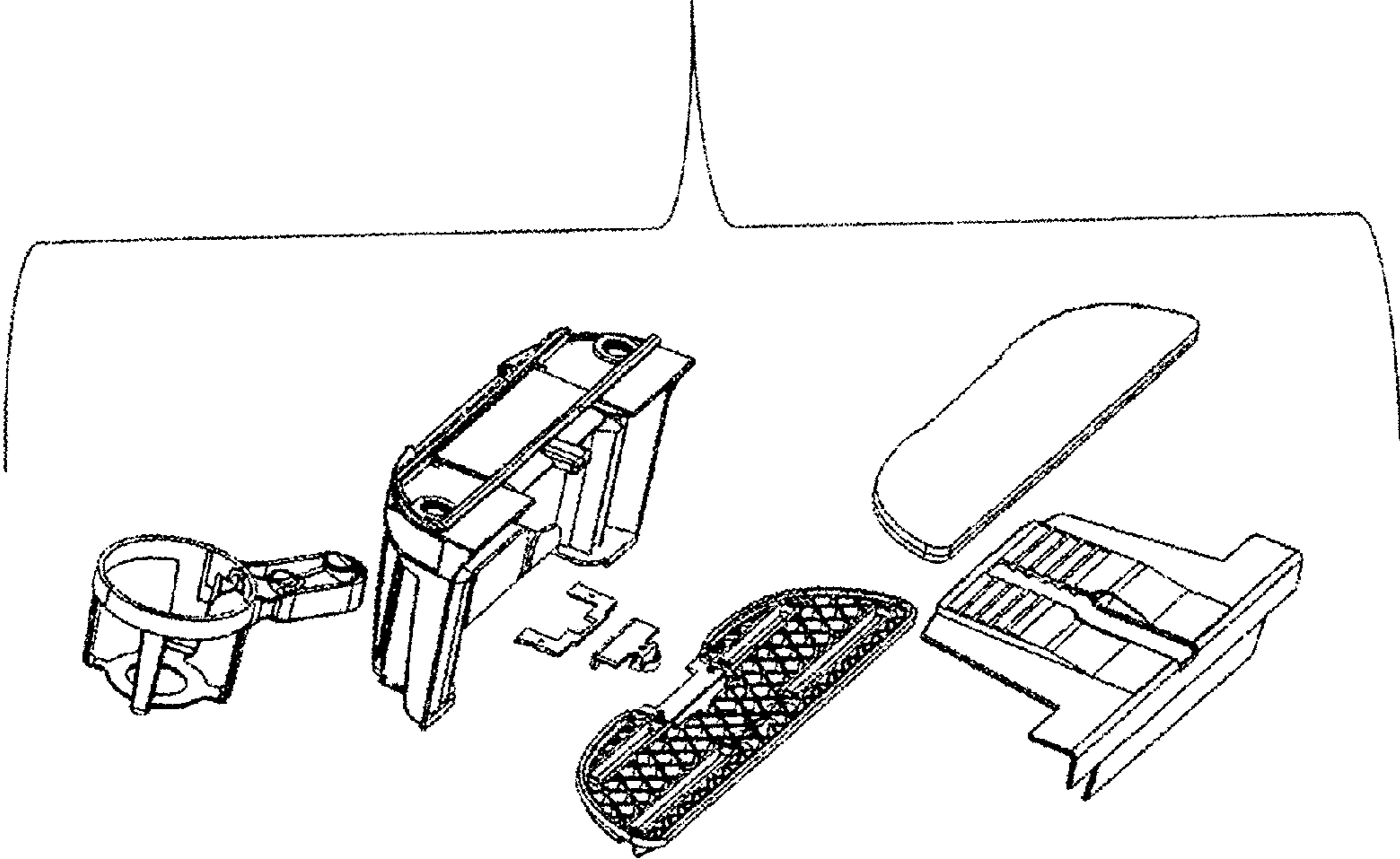


FIGURE 10

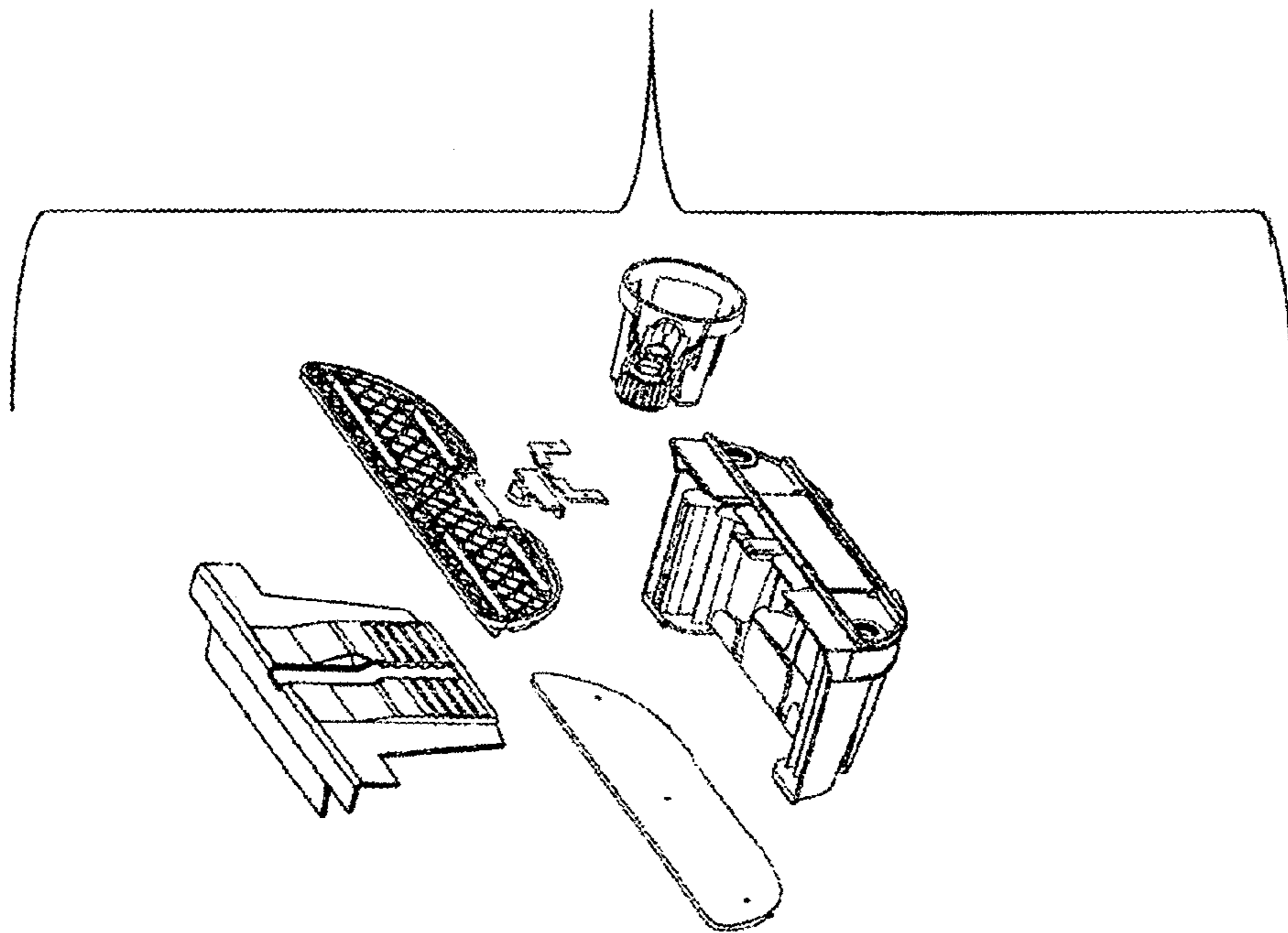


FIGURE 11

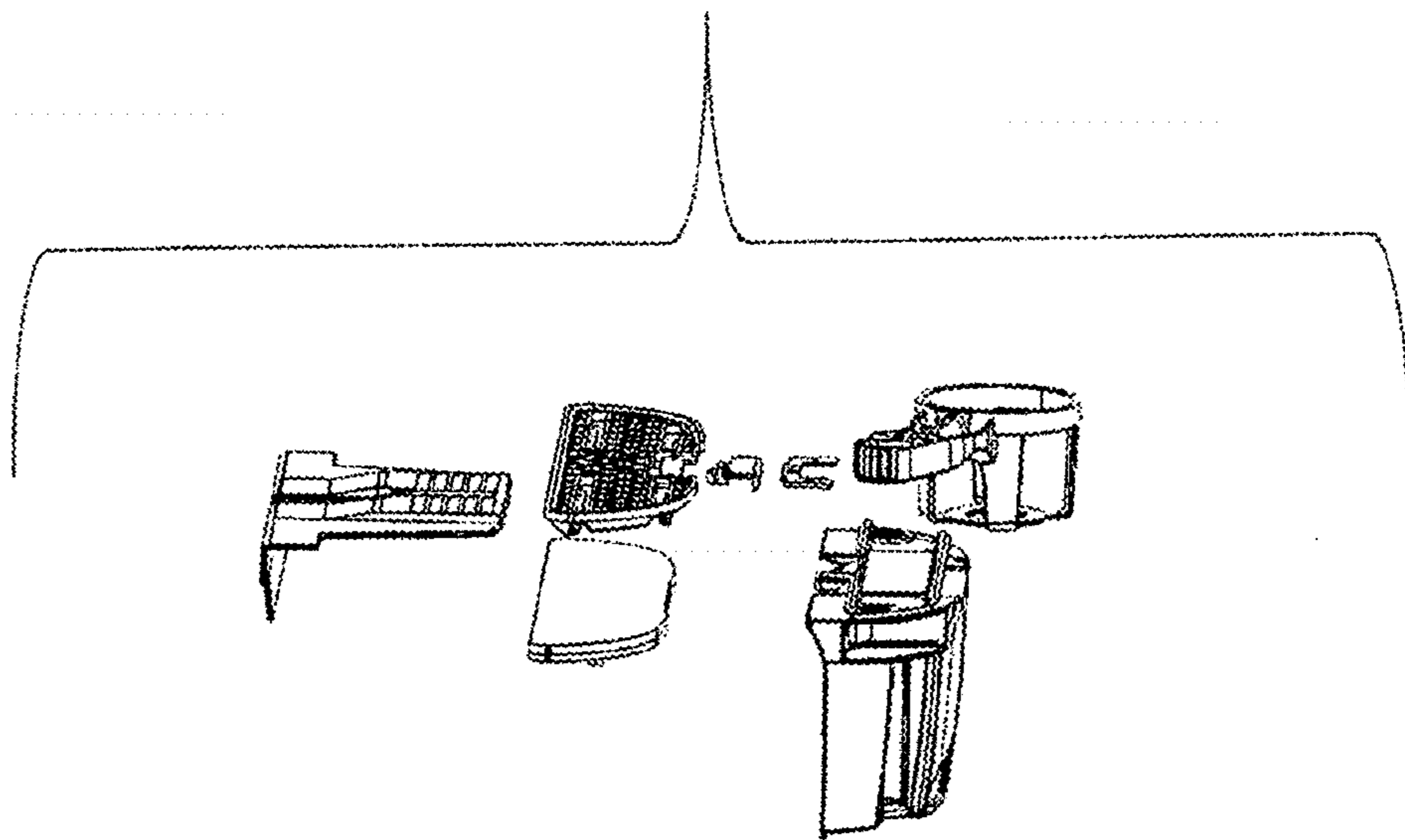


FIGURE 12

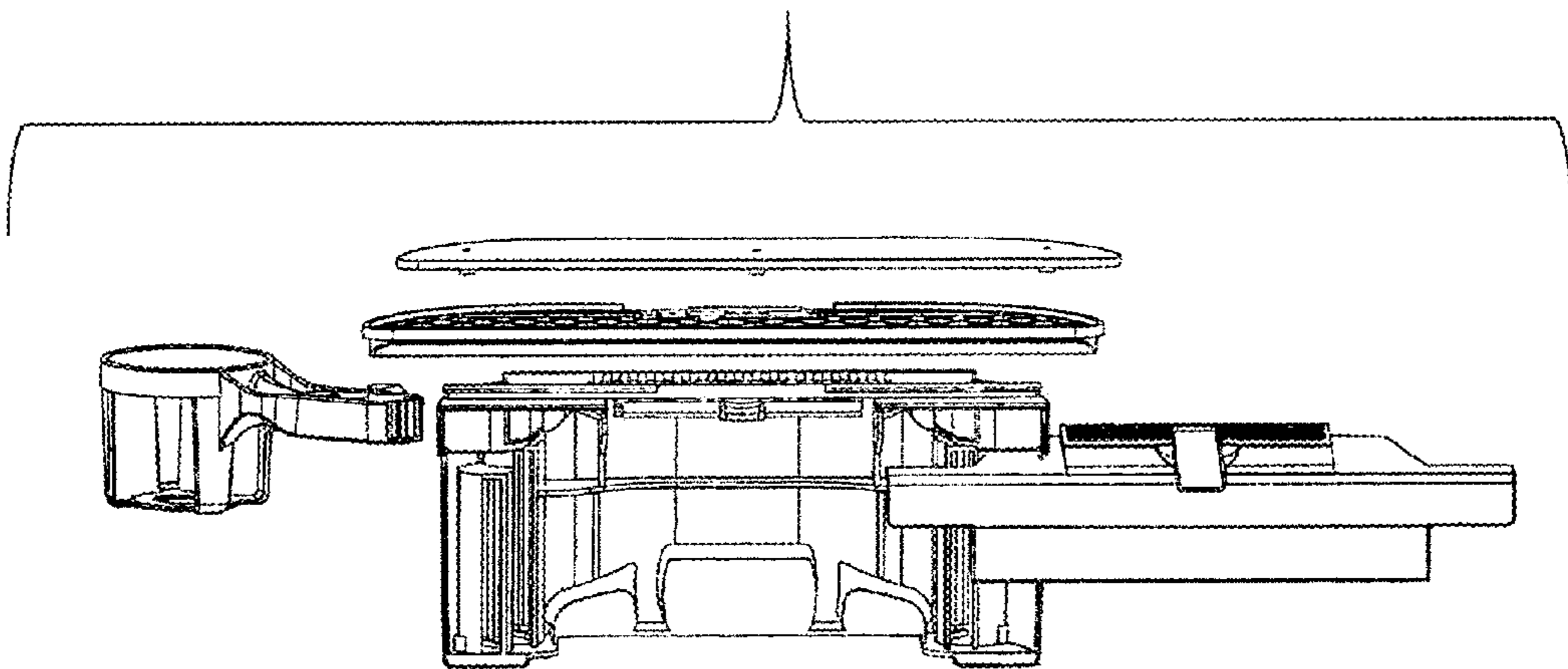


FIGURE 13

