



US00D757632S

(12) **United States Design Patent**
Bradley et al.

(10) **Patent No.:** **US D757,632 S**

(45) **Date of Patent:** **** May 31, 2016**

(54) **MARINE CONTROL PANEL**

(56) **References Cited**

(71) Applicant: **GENERAL ELECTRIC COMPANY**,
Schenectady, NY (US)

U.S. PATENT DOCUMENTS

(72) Inventors: **Neil Patrick Bradley**, Lawrence Park,
PA (US); **Maria Michelle Kauffman**,
Lawrence Park, PA (US); **Rekha**
Doddarangaiah Prasad, Sewickley, PA
(US); **Scott Christopher Poeppel**,
Grove City, PA (US); **Michael Allen**
Taylor, Cincinnati, OH (US); **Muazzam**
UI Azam, Erie, PA (US)

D359,947 S *	7/1995	Greene	D13/158
D369,338 S *	4/1996	Arpasi	D12/317
D400,181 S *	10/1998	Floyd	D13/162
D404,391 S *	1/1999	Herbstritt	D13/162
D416,544 S *	11/1999	Jordan	D13/162
D556,698 S *	12/2007	Walser	D13/164
D641,712 S *	7/2011	Berning	D13/164
D695,234 S *	12/2013	Santiago	D13/162
8,612,072 B2 *	12/2013	Garon	B63H 21/22 340/3.5

(73) Assignee: **General Electric Company**,
Schenectady, NY (US)

* cited by examiner

Primary Examiner — Cynthia M Chin

(**) Term: **14 Years**

(74) *Attorney, Agent, or Firm* — GE Global Patent
Operation; John A. Kramer

(21) Appl. No.: **29/511,946**

(57) **CLAIM**

The ornamental design for a marine control panel, as shown
and described.

(22) Filed: **Dec. 15, 2014**

(51) **LOC (10) Cl.** **12-06**

(52) **U.S. Cl.**
USPC **D12/317**

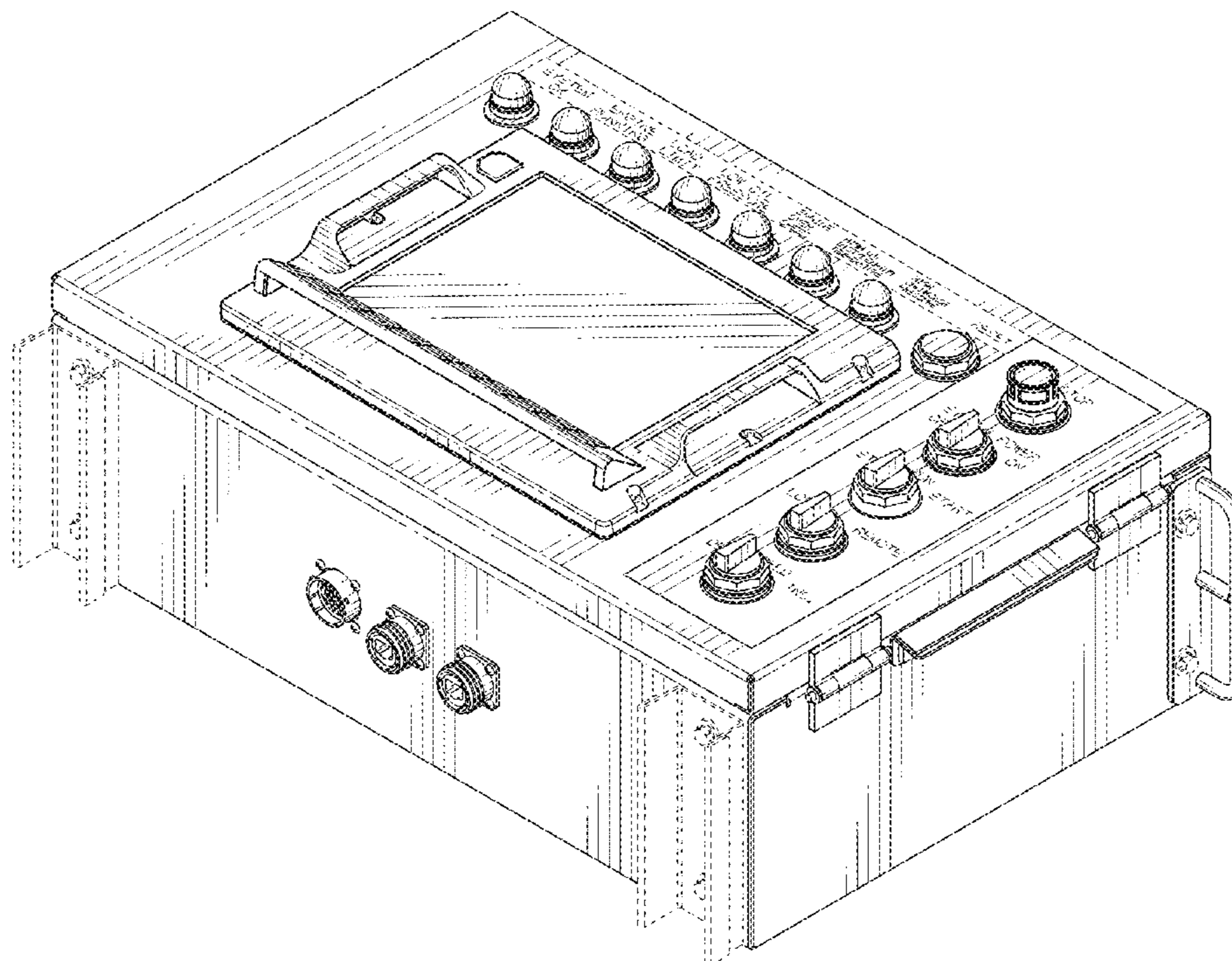
DESCRIPTION

(58) **Field of Classification Search**
USPC D12/192, 300–318; 114/285, 343, 363,
114/364; D13/158, 162, 164; 440/1, 2, 84
CPC B63H 21/00; B63H 21/213; B63H 21/22;
F02B 61/00; F02B 61/045
See application file for complete search history.

FIG. 1 is a perspective view of a marine control panel depicting
our new design;
FIG. 2 is a top view thereof;
FIG. 3 is a side view thereof;
FIG. 4 is an opposite side view thereof;
FIG. 5 is a front view thereof; and,
FIG. 6 is a back view thereof.

The broken line portion of the figure drawings is included to
show unclaimed subject matter only and forms no part of the
claimed designs.

1 Claim, 5 Drawing Sheets



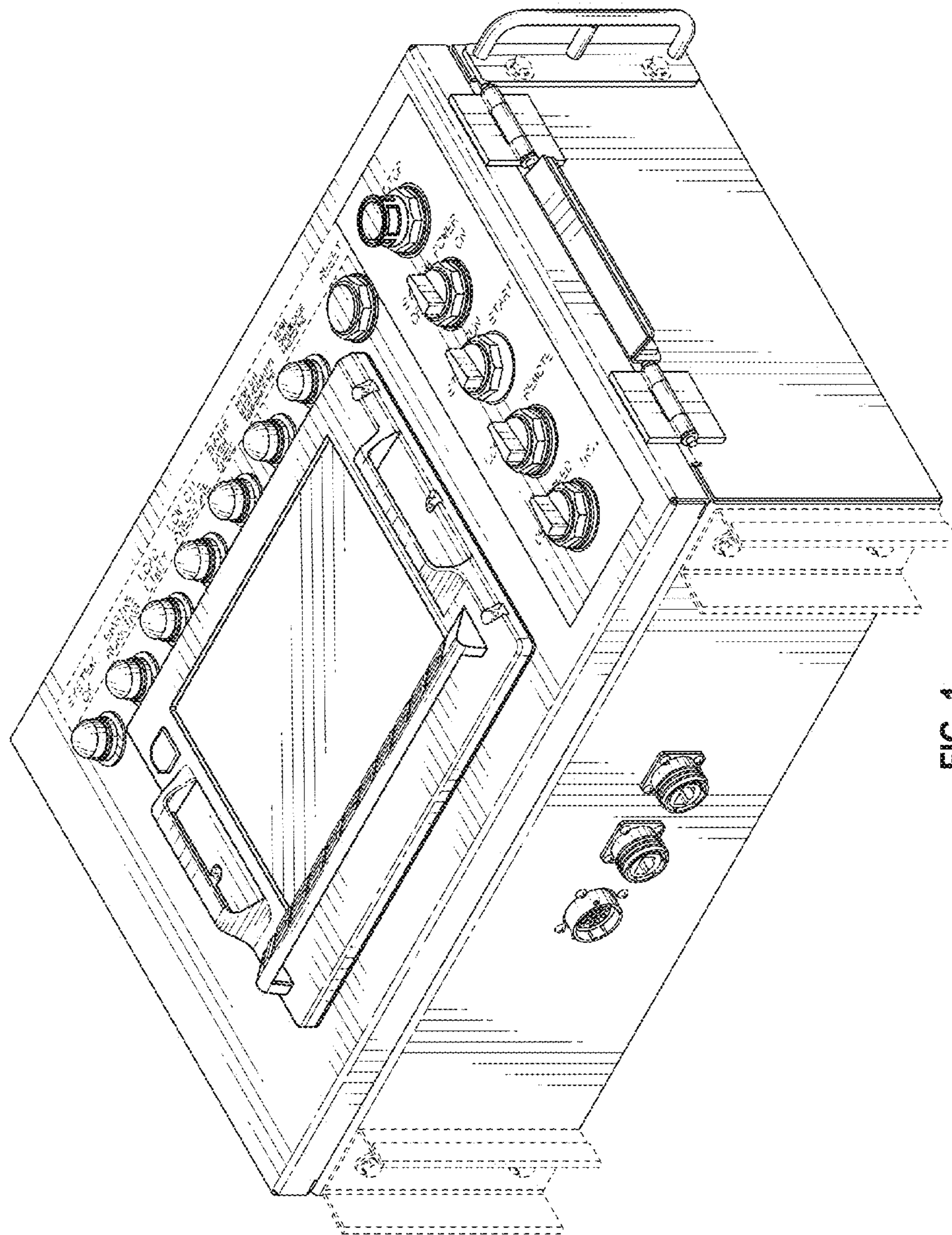


FIG. 1

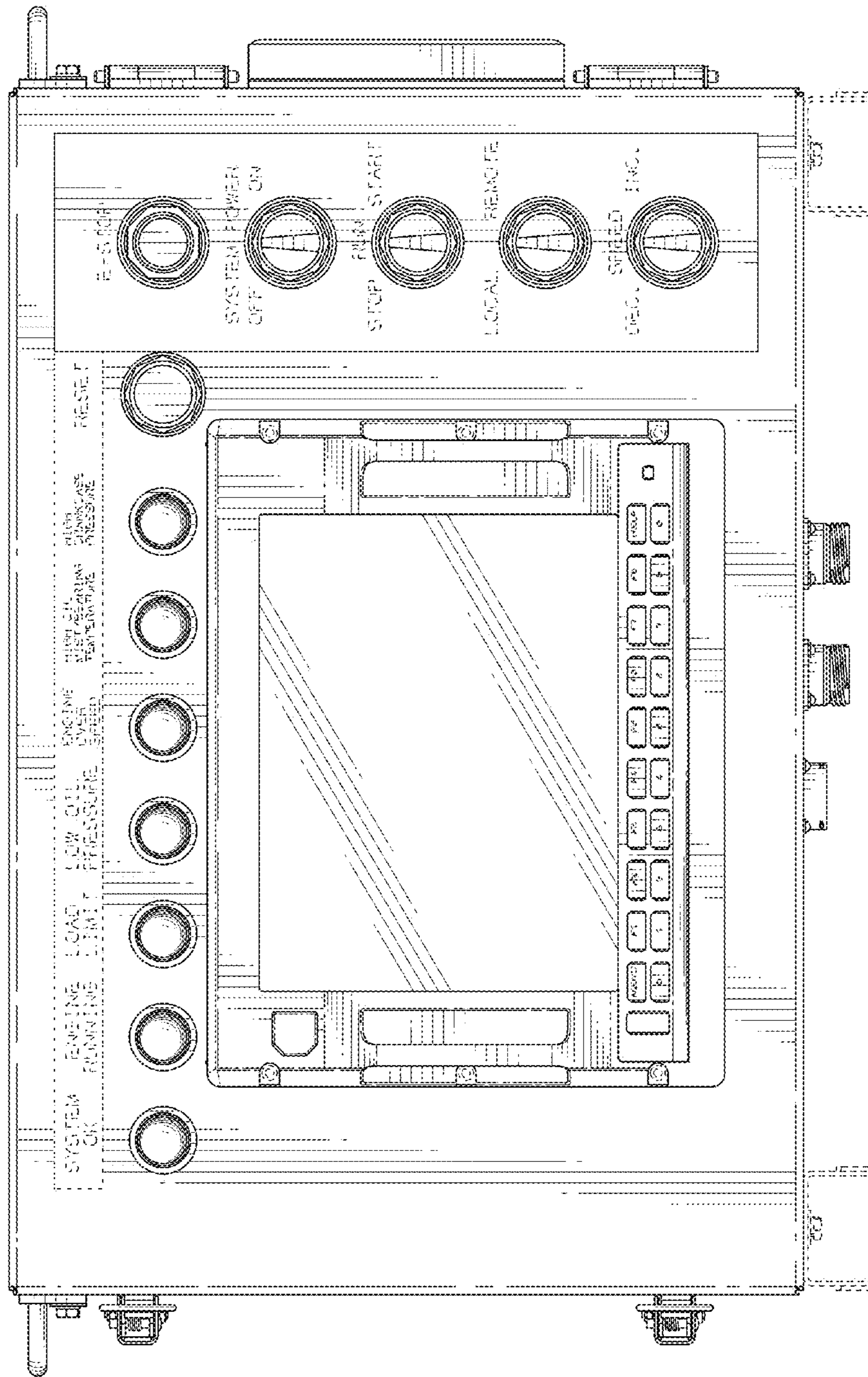


FIG. 2

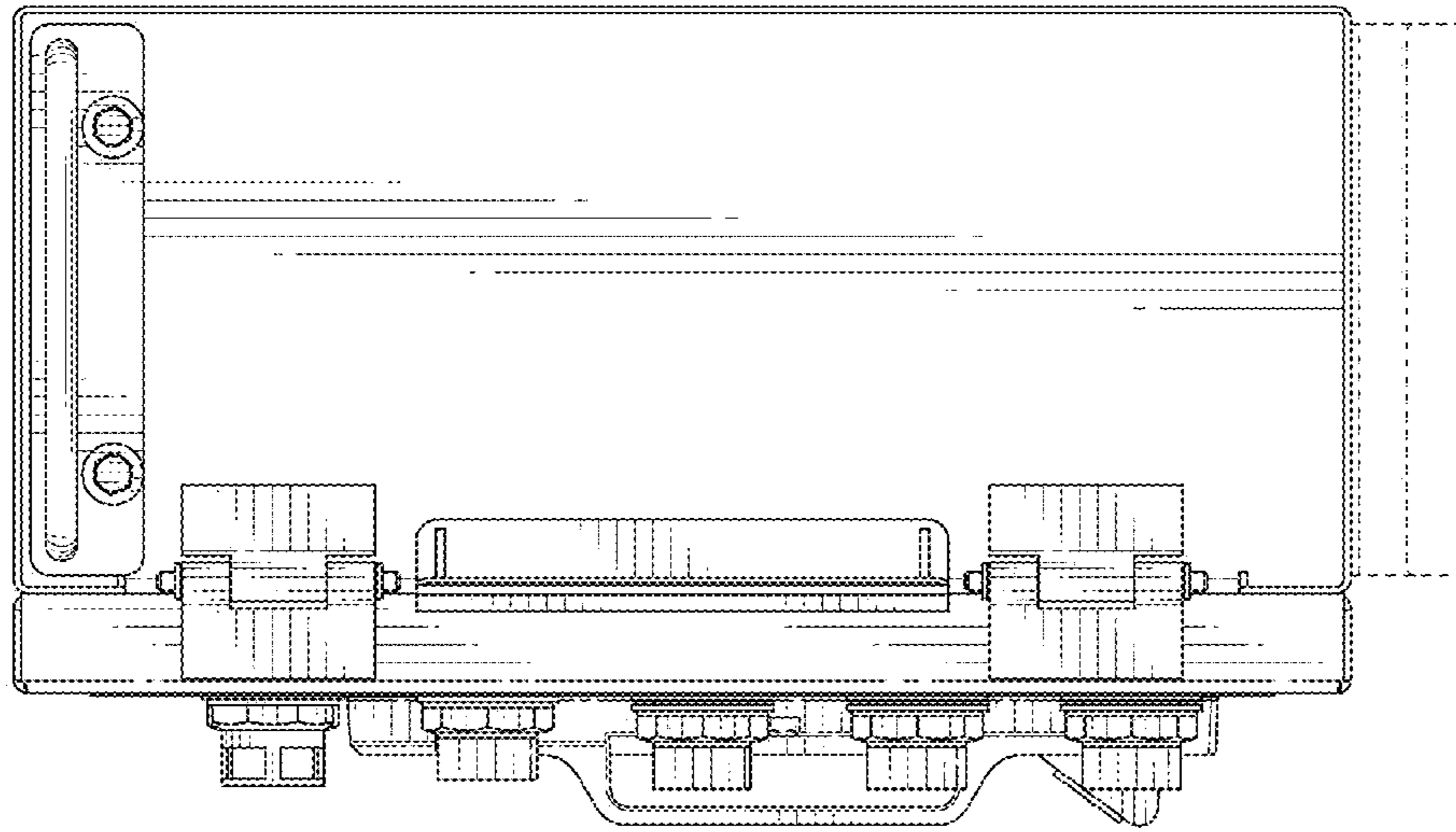


FIG. 4

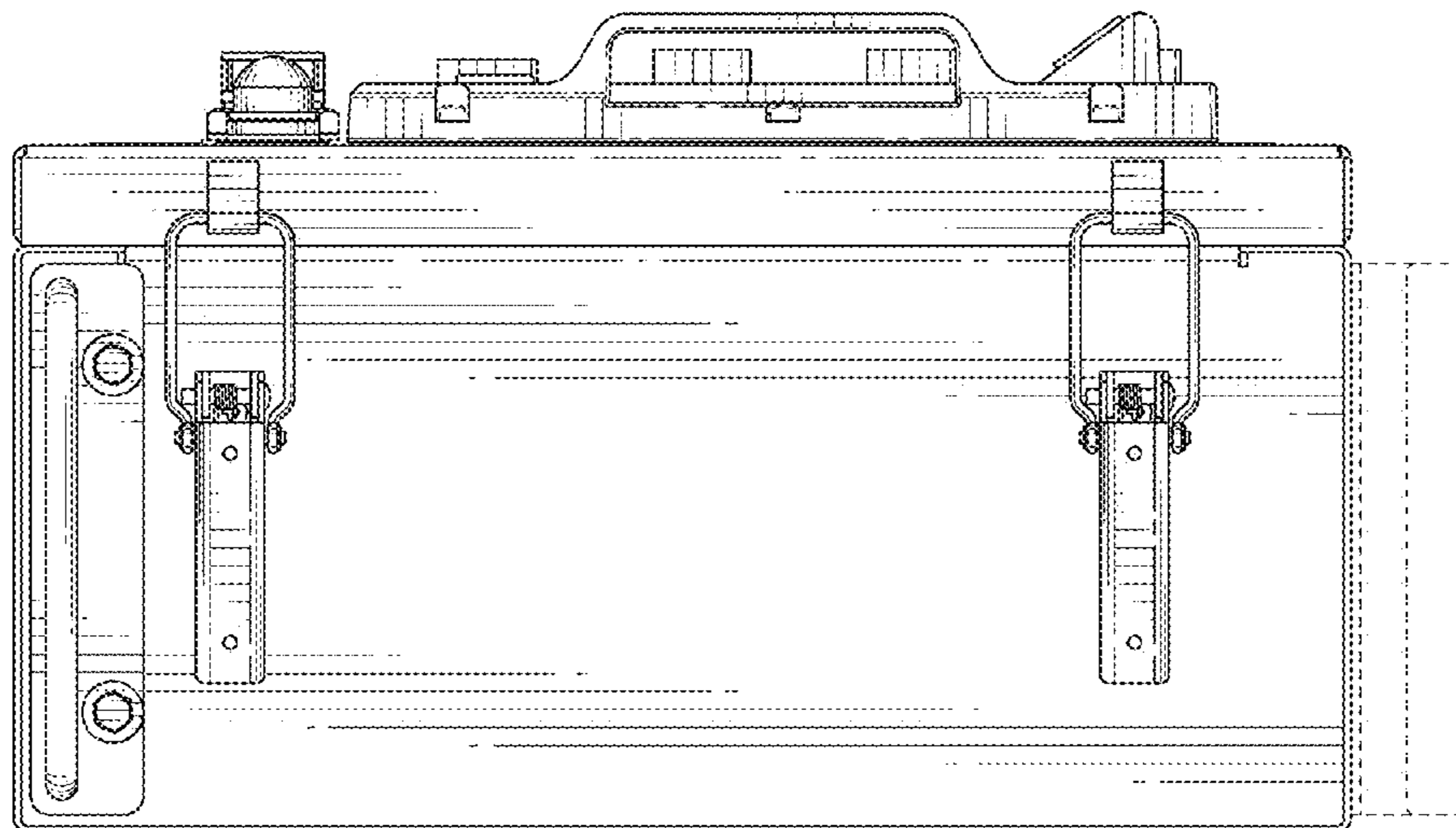


FIG. 3

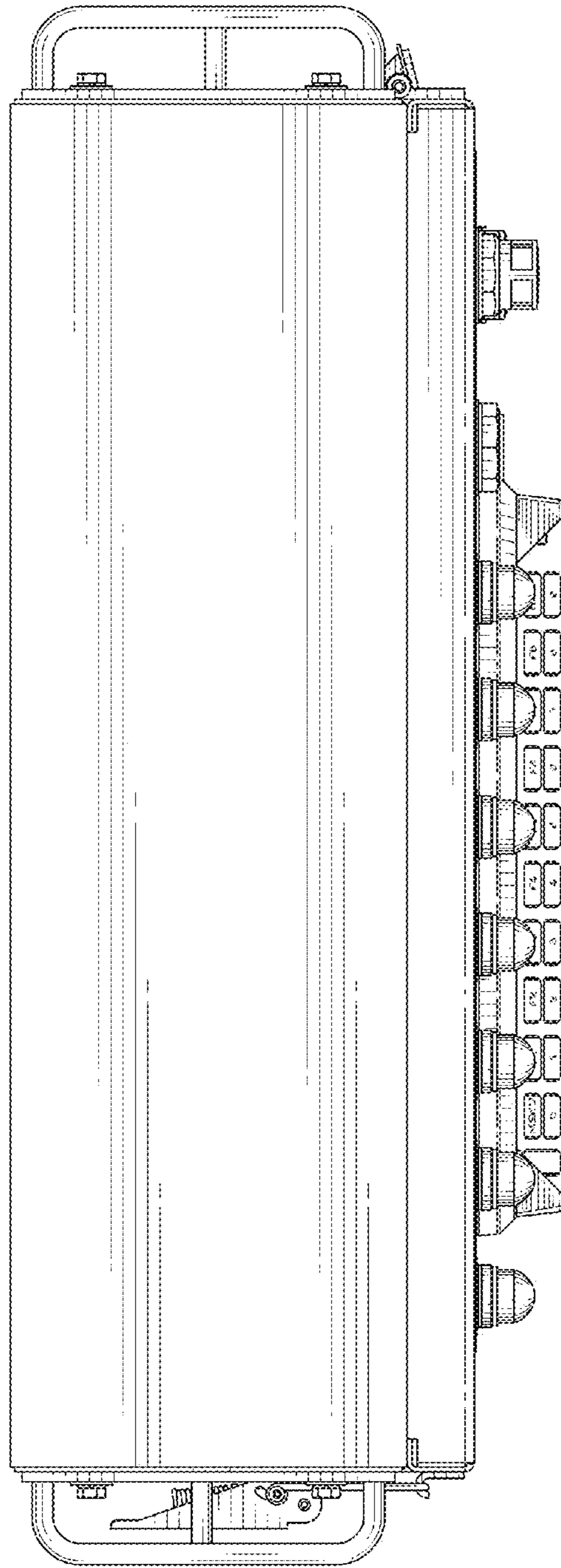


FIG. 5

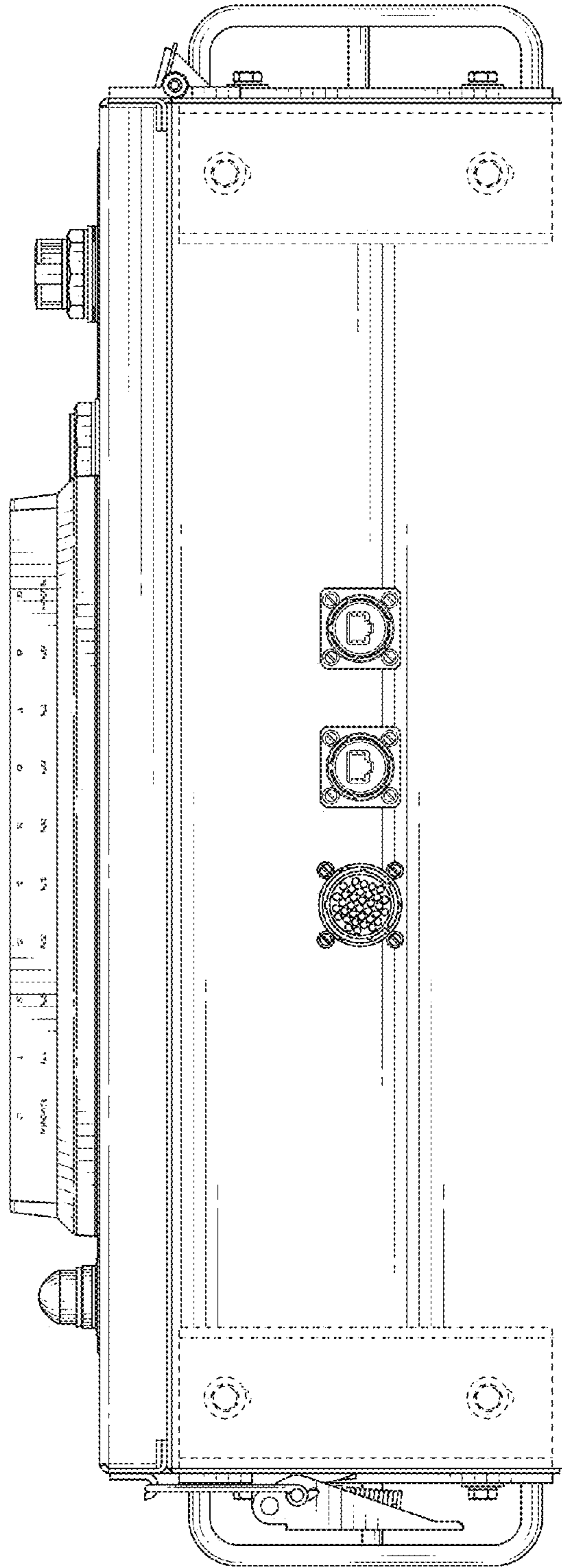


FIG. 6