



US00D757631S

(12) **United States Design Patent**
Jamieson

(10) **Patent No.:** **US D757,631 S**
(45) **Date of Patent:** **** May 31, 2016**

(54) **VEHICLE SPOILER MOUNTING BRACKET**

(71) Applicant: **GM GLOBAL TECHNOLOGY OPERATIONS LLC**, Detroit, MI (US)

(72) Inventor: **Stuart Jamieson**, Burbank, CA (US)

(73) Assignee: **GM Global Technology Operations LLC**, Detroit, MI (US)

(**) Term: **14 Years**

(21) Appl. No.: **29/482,399**

(22) Filed: **Feb. 18, 2014**

(51) **LOC (10) Cl.** **12-06**

(52) **U.S. Cl.**
USPC **D12/223**

(58) **Field of Classification Search**
USPC D12/20, 39, 42, 43, 46, 51, 317, 106,
D12/114, 167, 169, 172, 223, 400; D8/14,
D8/349, 354, 382, 499
CPC B62D 35/00; B62D 35/005; B62D 35/007;
Y10S 180/903
See application file for complete search history.

(56) **References Cited**

U.S. PATENT DOCUMENTS

D231,437 S * 4/1974 Read D12/317
D282,712 S * 2/1986 Rademacher D8/14
D344,665 S * 3/1994 Baker D8/88

D386,657 S * 11/1997 Spierer D8/47
D393,826 S * 4/1998 Carter D12/223
D428,322 S * 7/2000 Munch et al. D8/302
D440,854 S * 4/2001 Killins D8/88
D487,243 S * 3/2004 McCoy et al. D12/223
D488,425 S * 4/2004 Schultz D12/317
D514,500 S * 2/2006 Schultz D12/317
7,063,375 B2 * 6/2006 Dringenberg et al. 296/180.5
D546,753 S * 7/2007 Schultz D12/317
D644,084 S * 8/2011 Canavan et al. D8/88
D706,686 S * 6/2014 Guetersloh D12/106

* cited by examiner

Primary Examiner — Sheryl Lane

Assistant Examiner — Ieisha Price

(74) *Attorney, Agent, or Firm* — Parks IP Law LLC; Mickki D. Murray, Esq.

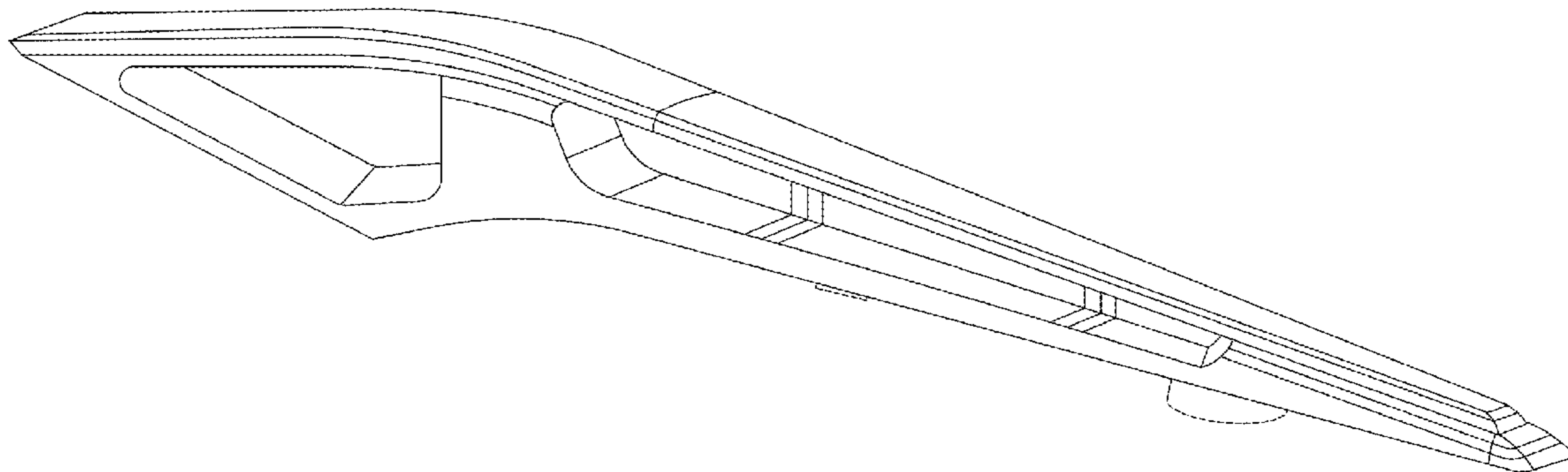
(57) **CLAIM**

The ornamental design for a vehicle spoiler mounting bracket, as shown and described.

DESCRIPTION

FIG. 1 is a perspective view of a vehicle spoiler mounting bracket showing the new design; FIG. 2 is a top view thereof; and, FIG. 3 is a front view thereof. The broken lines shown in the drawings illustrate portions of the vehicle spoiler mounting bracket and form no part of the claimed design.

1 Claim, 2 Drawing Sheets



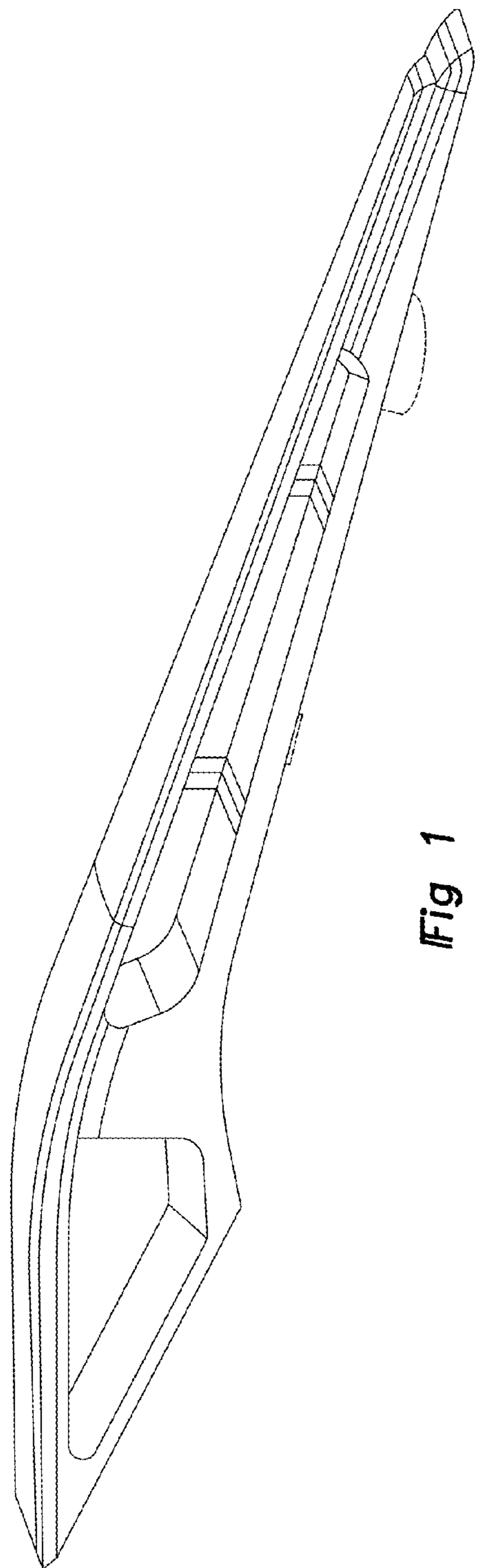


Fig 1

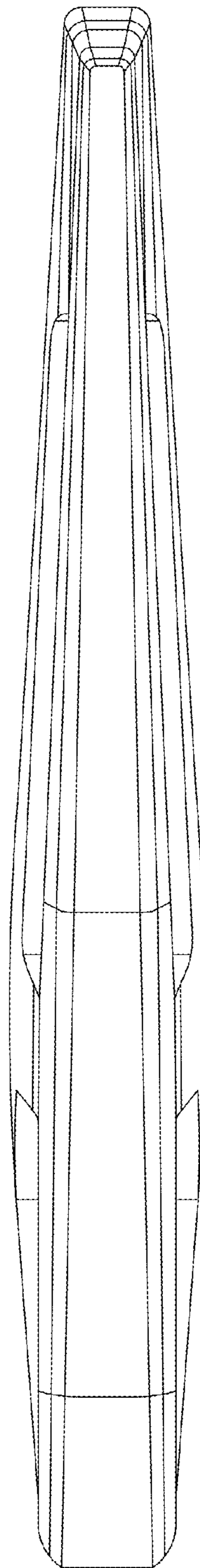


Fig 2

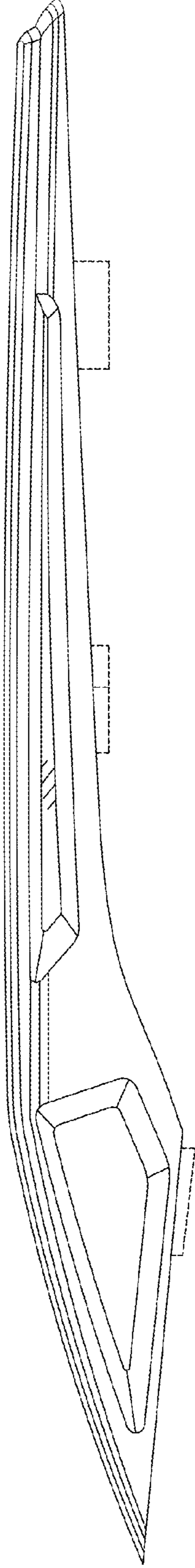


Fig 3