



US00D757630S

(12) **United States Design Patent**
Boyce

(10) **Patent No.:** **US D757,630 S**

(45) **Date of Patent:** **** May 31, 2016**

(54) **GOLF CART LIFT**

(71) Applicant: **Red Hawk LLC**, Baltimore, MD (US)

(72) Inventor: **E. Gillet Boyce**, Baltimore, MD (US)

(73) Assignee: **RED HAWK LLC**, Baltimore, MD (US)

(**) Term: **14 Years**

(21) Appl. No.: **29/479,681**

(22) Filed: **Jan. 17, 2014**

(51) **LOC (10) Cl.** **12-06**

(52) **U.S. Cl.**
USPC **D12/223**

(58) **Field of Classification Search**
USPC D12/223, 16, 400; D8/354, 355, 499;
D15/199

CPC B62D 21/00; B62D 21/02; B62D 21/11;
B62D 21/183; B62D 21/12; B62K 2005/001;
B62K 2005/002

See application file for complete search history.

(56) **References Cited**

U.S. PATENT DOCUMENTS

D160,669 S	*	10/1950	Smith	D8/394
D222,234 S	*	10/1971	Imber	D8/355
D246,957 S	*	1/1978	Morrison et al.	D10/103
D357,172 S	*	4/1995	Hsu	D8/354
D389,097 S	*	1/1998	Lavender et al.	D12/114
D399,514 S	*	10/1998	Shimada	D15/199
D460,682 S	*	7/2002	Conner et al.	D8/354
D545,246 S	*	6/2007	Kroeker	D12/159
D552,138 S	*	10/2007	Kondo et al.	D15/199
D610,952 S	*	3/2010	Noble et al.	D12/159

D626,401 S	*	11/2010	Landy	D8/356
D713,301 S	*	9/2014	Haviland	D12/159
2002/0113399 A1	*	8/2002	Fehler et al.	280/124.165
2007/0145816 A1	*	6/2007	Gile	301/132
2015/0001894 A1	*	1/2015	Outen et al.	296/204

OTHER PUBLICATIONS

Rhox 6" A-Arm Lift Kit for Club Car Precedent Gas & Electric | Golf Cart Tire Supply, Image post date Unknown, site visited on May 26, 2015 (online), <<http://www.golfcarttiresupply.com/rhox-bmf-a-arm-lift-kit-for-club-car-precedent-gas-and-electric/>>.*

* cited by examiner

Primary Examiner — Sheryl Lane

Assistant Examiner — Ieisha Price

(74) *Attorney, Agent, or Firm* — Miles & Stockbridge P.C.; David R. Schaffer

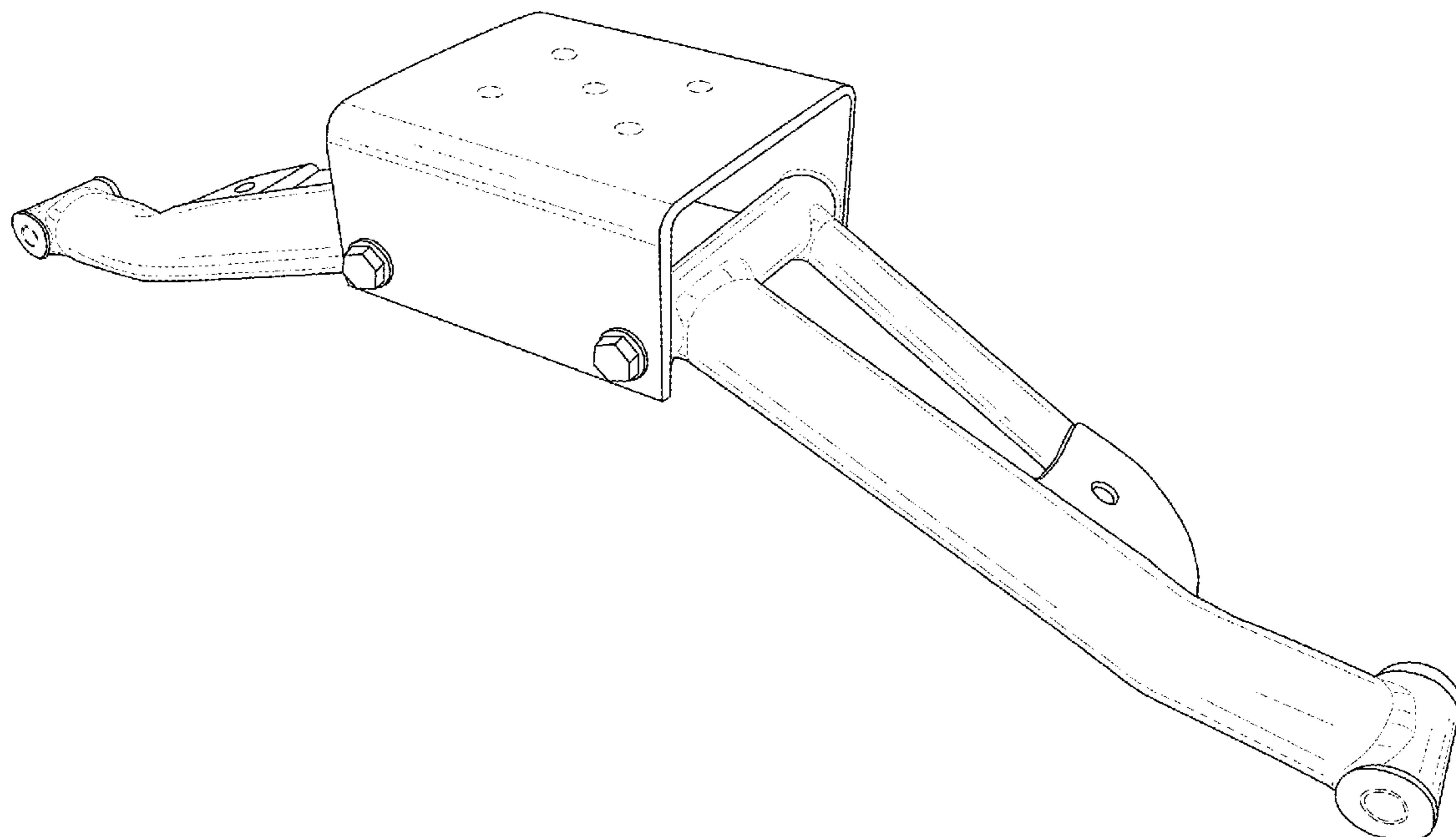
(57) **CLAIM**

The ornamental design for a golf cart lift, as shown and described.

DESCRIPTION

FIG. 1 is a front view of the golf cart lift.
FIG. 2 is a top view of the golf cart lift.
FIG. 3 is a bottom view of the golf cart lift.
FIG. 4 is a back view of the golf cart lift.
FIG. 5 is a front perspective view of the golf cart lift.
FIG. 6 is an enlarged right side of the golf cart lift; and,
FIG. 7 is an enlarged left side of the golf cart lift.
The broken lines in the drawings illustrate portions of the golf cart lift and form no part of the claimed design.

1 Claim, 7 Drawing Sheets



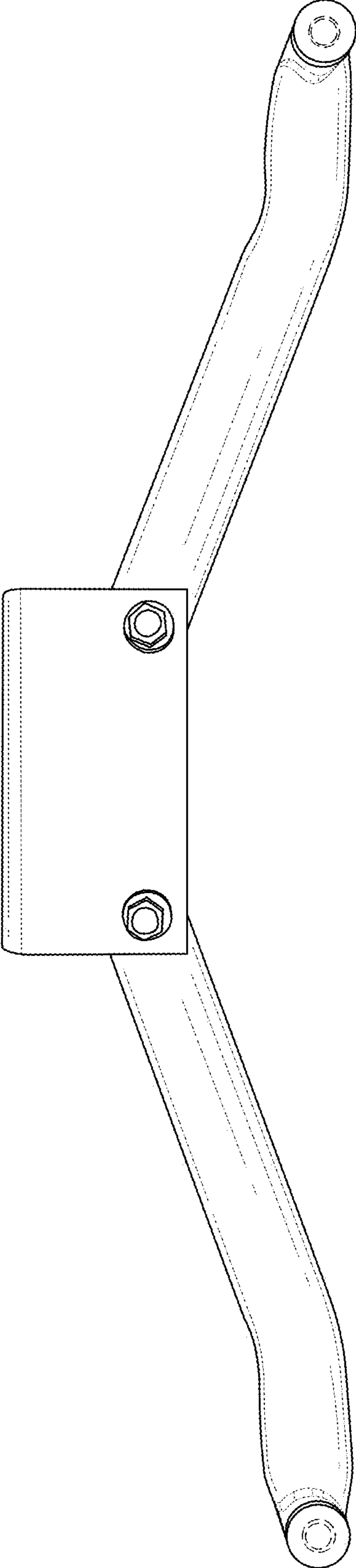


FIG. 1

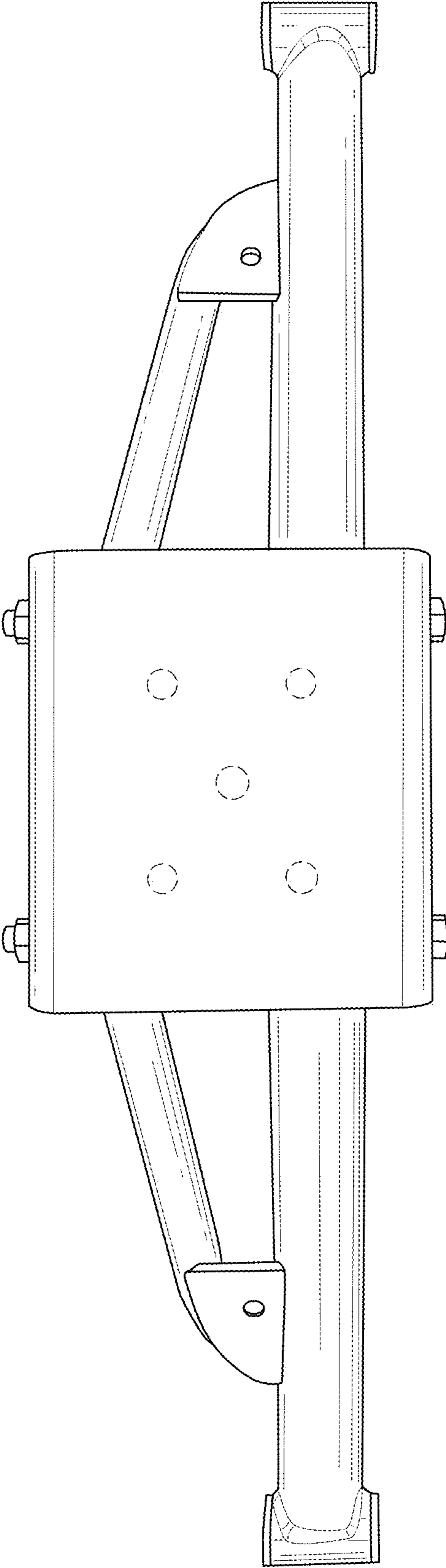


FIG. 2

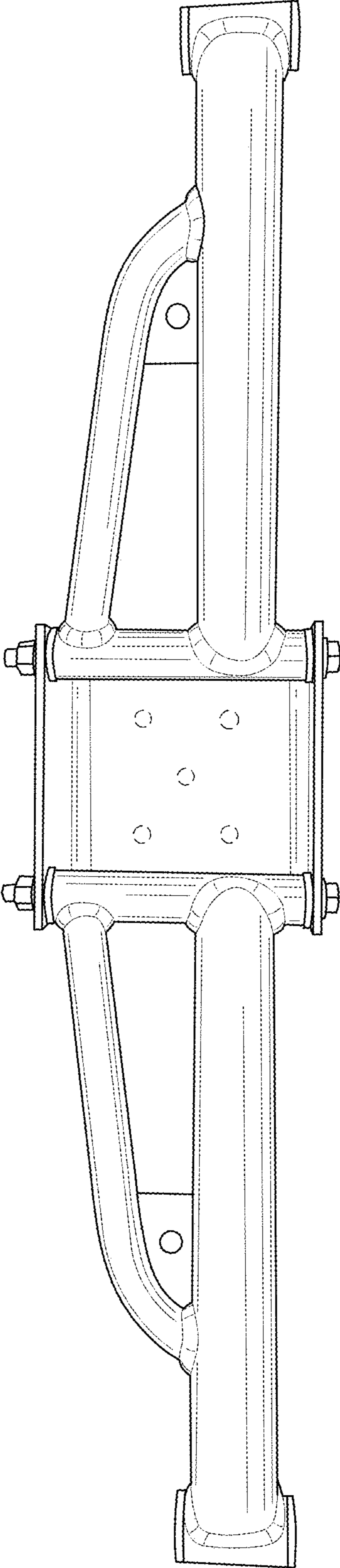


FIG. 3

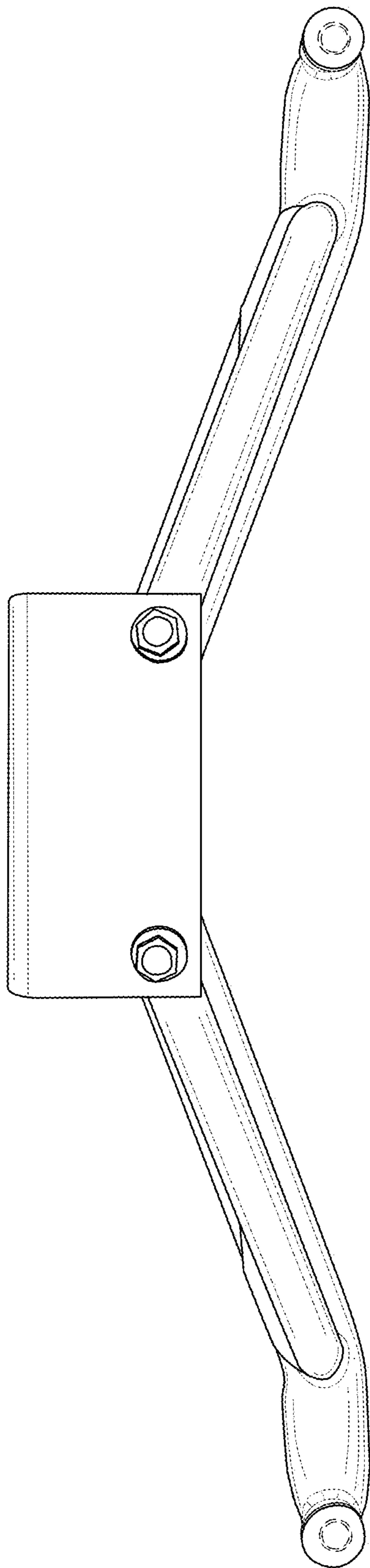


FIG. 4

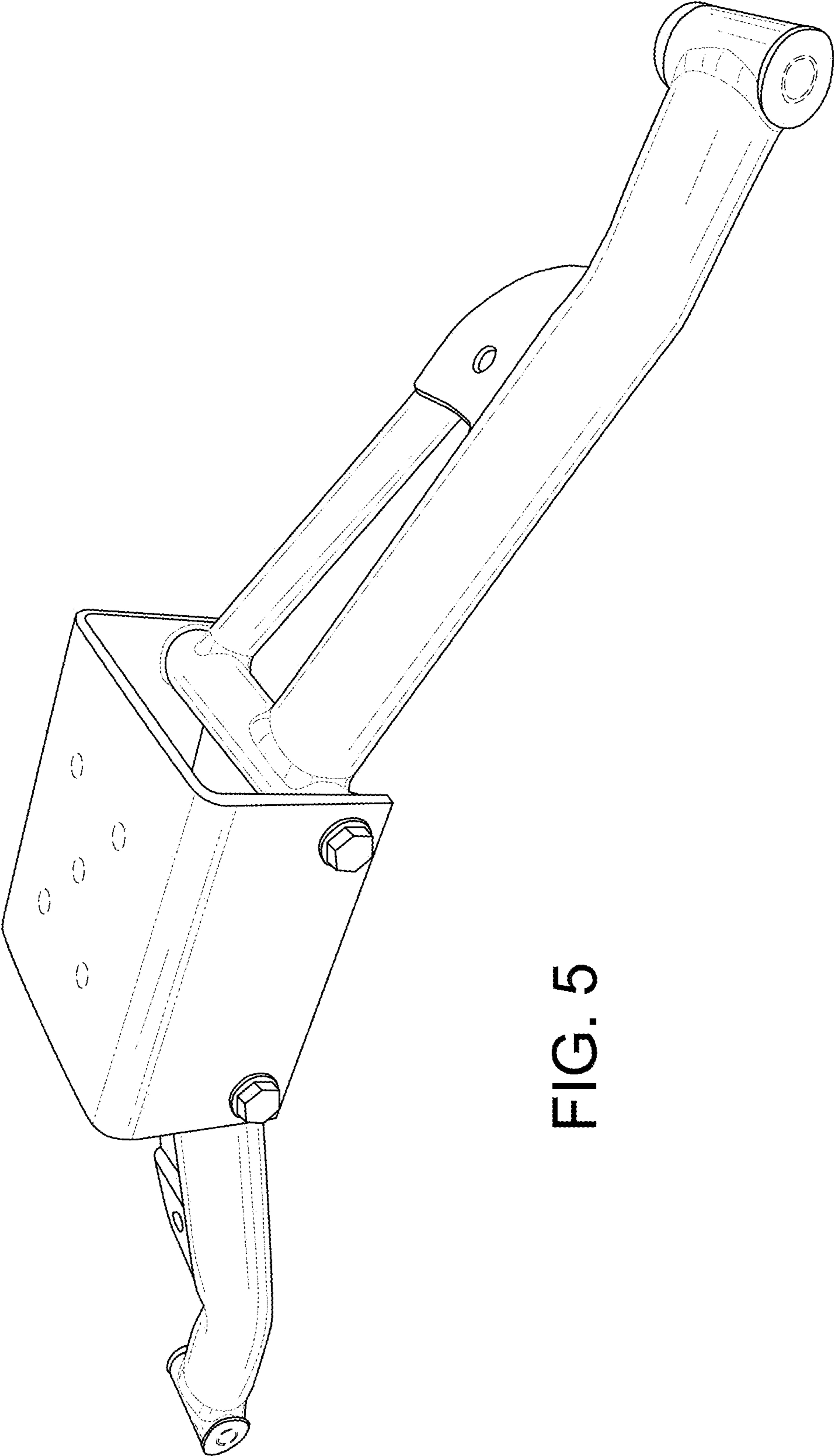


FIG. 5

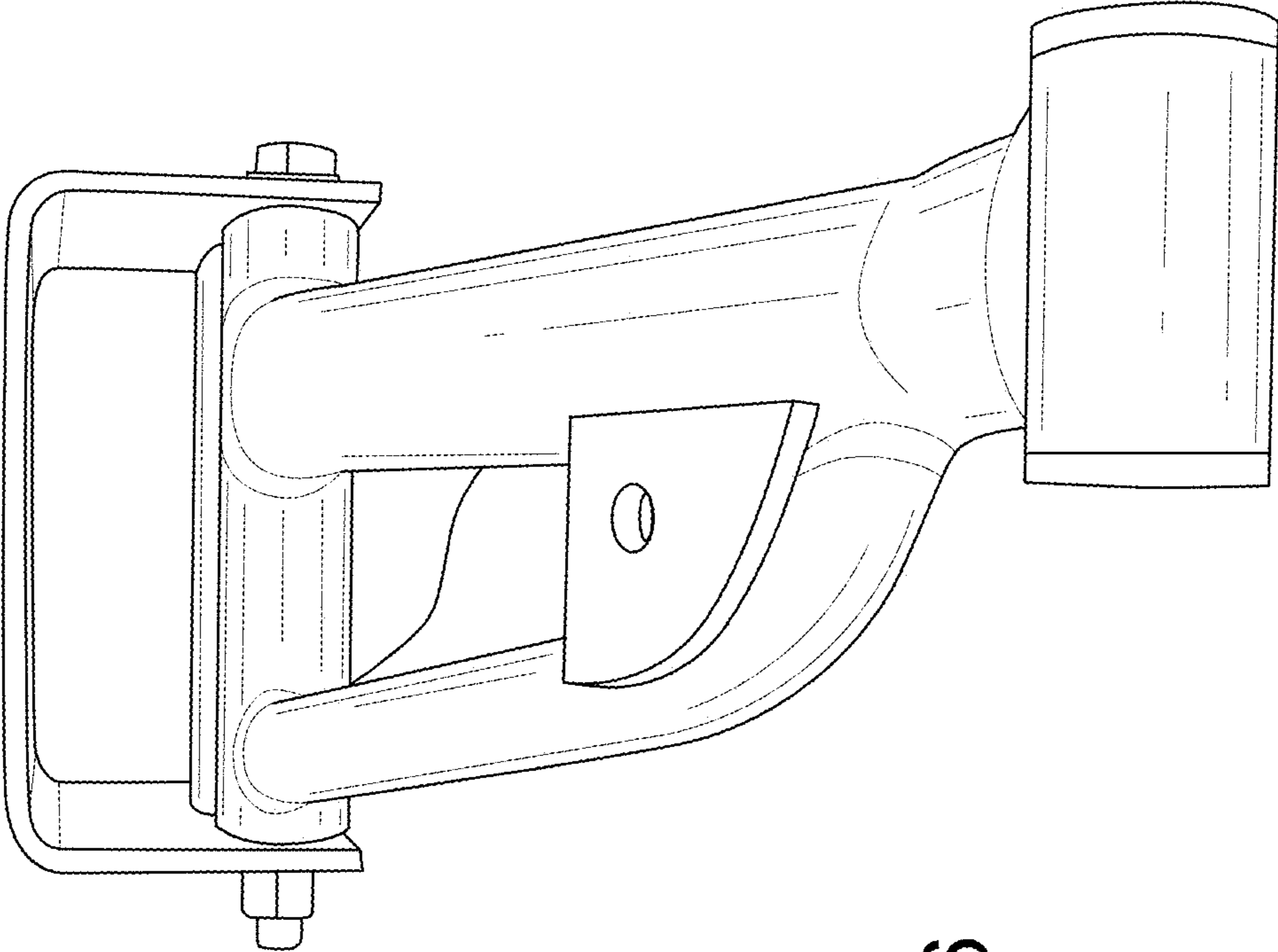


FIG. 6

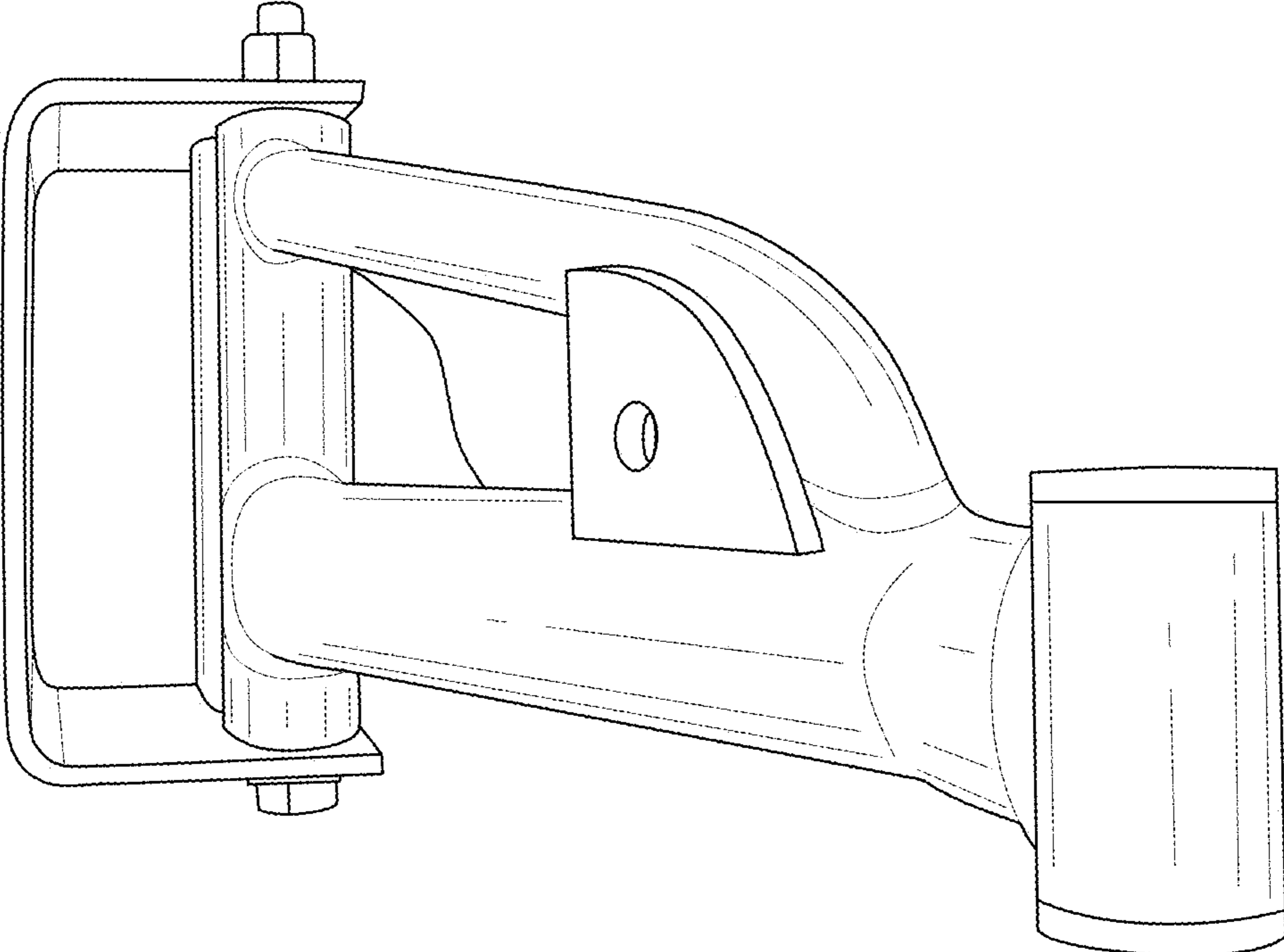


FIG. 7