



US00D757629S

(12) **United States Design Patent**
Hubers et al.

(10) **Patent No.:** **US D757,629 S**

(45) **Date of Patent:** **** May 31, 2016**

(54) **AUTOMOBILE WHEEL**

(71) Applicants: **Adam Hubers**, Royal Oak, MI (US);
Khashayar Honarkhah, Bloomfield Hills, MI (US); **Mark C Trostle**, Rochester, MI (US)

(72) Inventors: **Adam Hubers**, Royal Oak, MI (US);
Khashayar Honarkhah, Bloomfield Hills, MI (US); **Mark C Trostle**, Rochester, MI (US)

(73) Assignee: **FCA US LLC**, Auburn, MI (US)

(**) Term: **14 Years**

(21) Appl. No.: **29/517,193**

(22) Filed: **Feb. 11, 2015**

(51) **LOC (10) Cl.** **12-16**

(52) **U.S. Cl.**
USPC **D12/211**

(58) **Field of Classification Search**
USPC D12/204–213
CPC B60B 7/00; B60B 7/02; B60B 7/04;
B60B 7/01; B60B 7/06; B60B 3/02; B60B 3/04;
B60B 3/06; B60B 3/10; B60B 1/00; B60B 1/08;
B60B 1/10; B60B 1/12
See application file for complete search history.

(56) **References Cited**

U.S. PATENT DOCUMENTS

D453,134 S * 1/2002 Murkett D12/209
D506,717 S * 6/2005 Gallert D12/209

D524,220 S * 7/2006 Scheu D12/211
D570,761 S * 6/2008 Antoniadis D12/211
D581,853 S * 12/2008 Rak D12/211
D625,243 S * 10/2010 Holstein D12/211
D629,346 S * 12/2010 Szews D12/211
D648,254 S * 11/2011 Barry D12/209
D649,503 S * 11/2011 Platto D12/209
D673,100 S * 12/2012 Mueller-Stolz D12/211
D682,179 S * 5/2013 Badstuebner D12/211
D697,006 S * 1/2014 Schneider D12/209
D707,170 S * 6/2014 Wheel D12/211
D708,112 S * 7/2014 Mays D12/211
D721,028 S * 1/2015 Lemke D12/211
D722,546 S * 2/2015 Perini D12/209
D731,389 S * 6/2015 Gotschke D12/211
D732,454 S * 6/2015 Szews D12/211

* cited by examiner

Primary Examiner — Stacia Cadmus

(74) *Attorney, Agent, or Firm* — Ralph E Smith

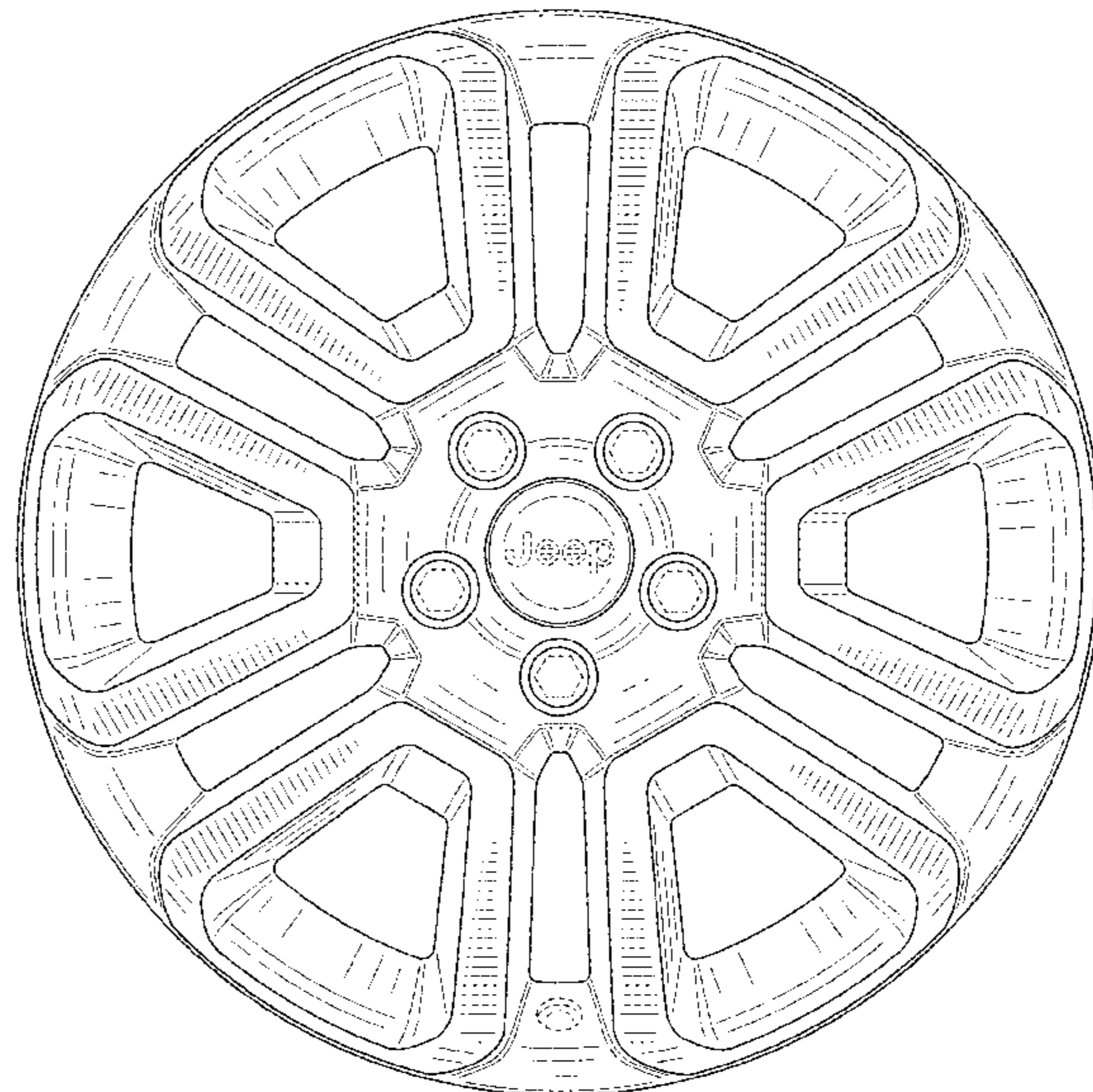
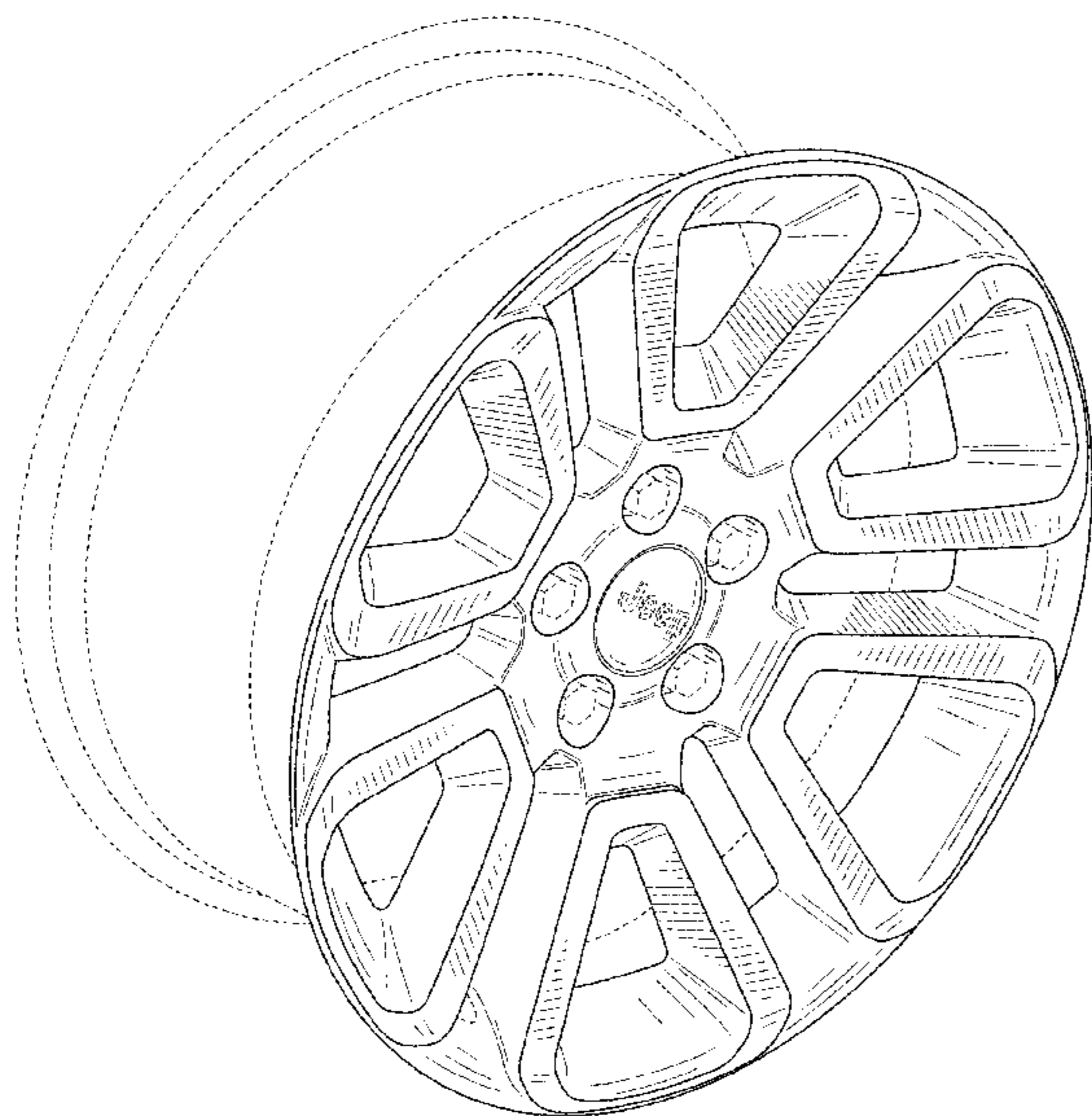
(57) **CLAIM**

The ornamental design for an automobile wheel, as shown and described.

DESCRIPTION

FIG. 1 is a left side perspective view of an automobile wheel showing our new design; FIG. 2 is a right side perspective view thereof; and, FIG. 3 is a front view. The broken line showing of the valve stem hole, the lug nuts in the central hub area, the logo and the rear portion of the wheel is included for the purpose of illustrating environment and forms no part of the claimed design.

1 Claim, 3 Drawing Sheets



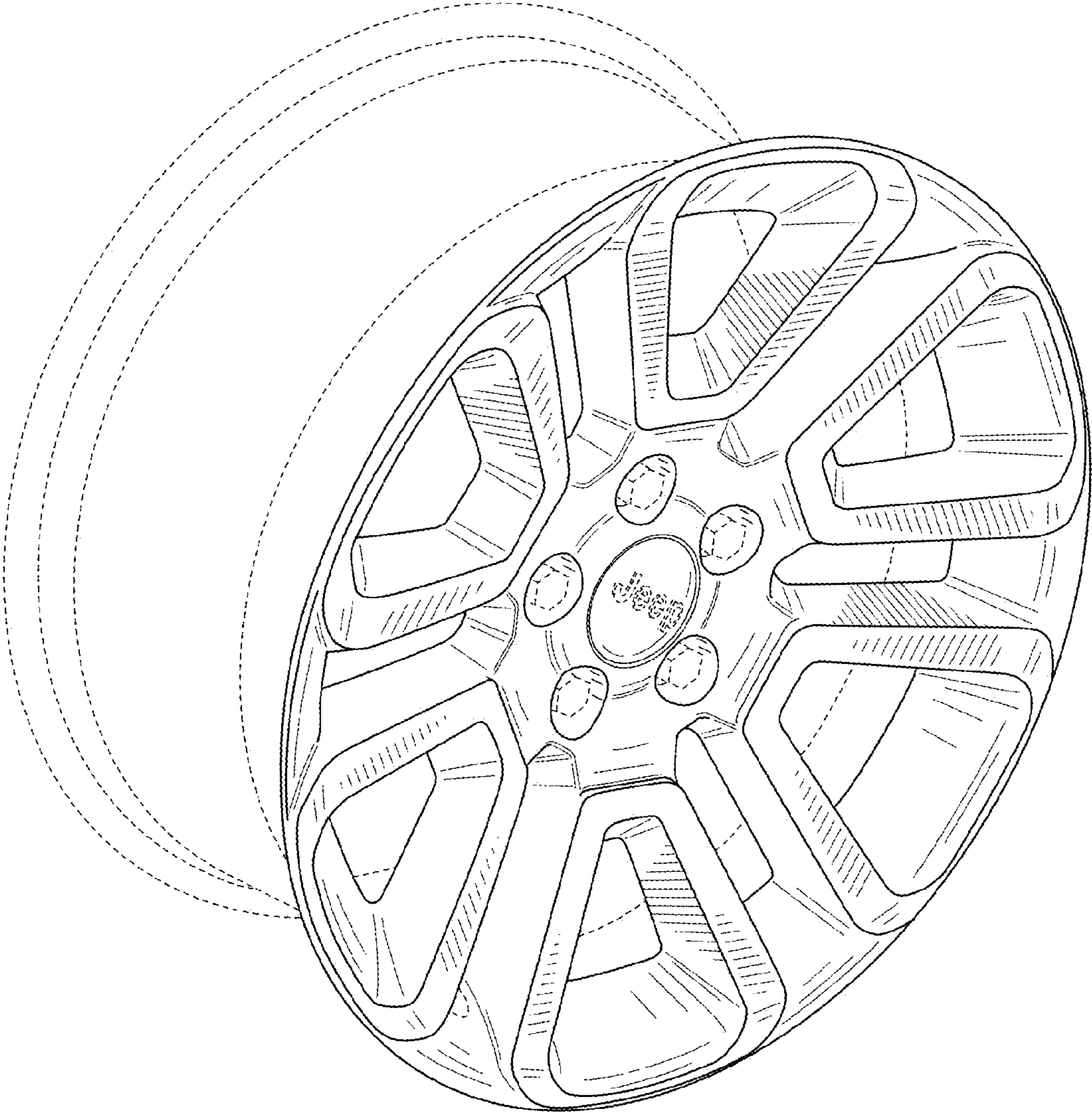


FIG. 1

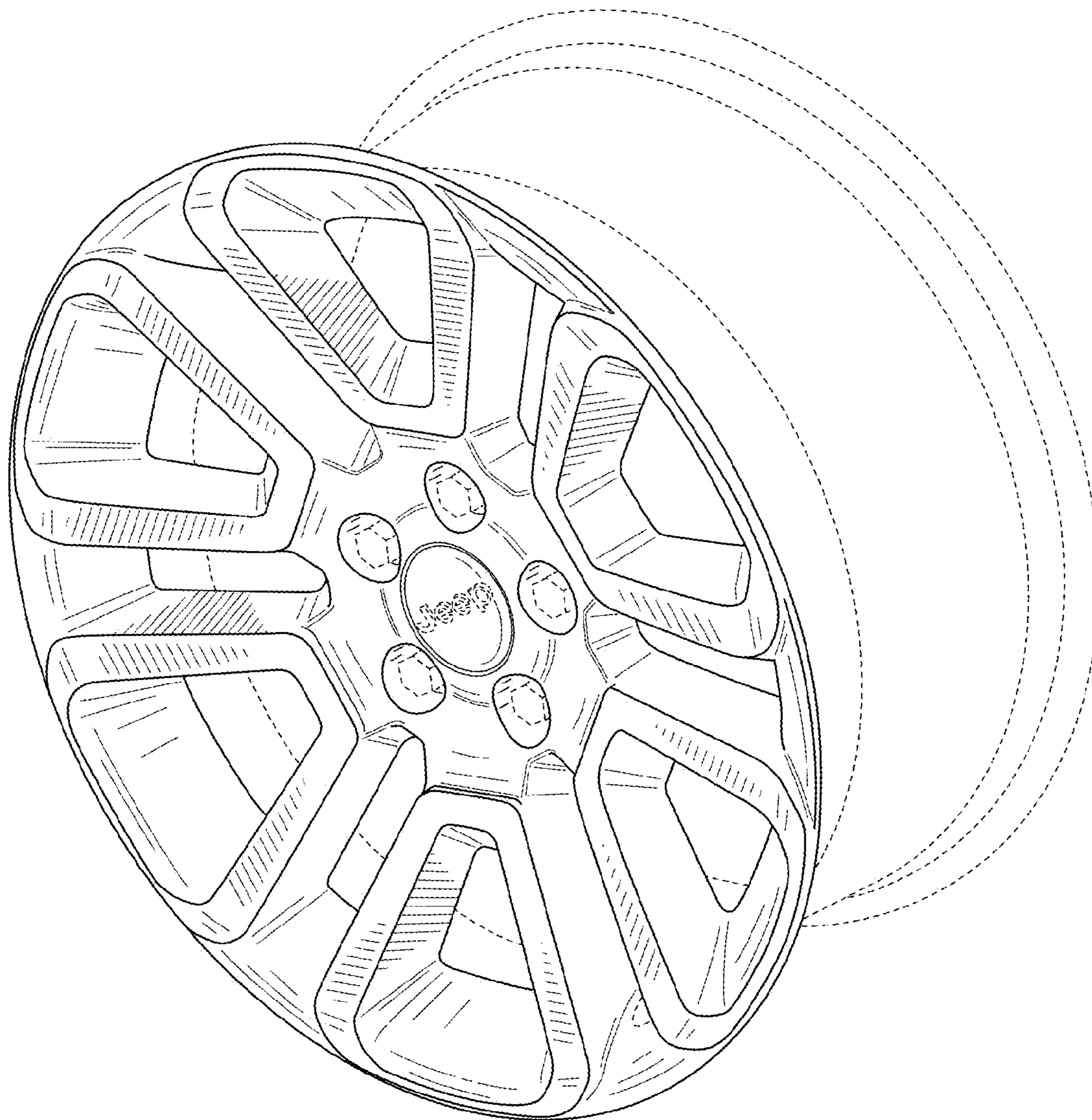


FIG. 2

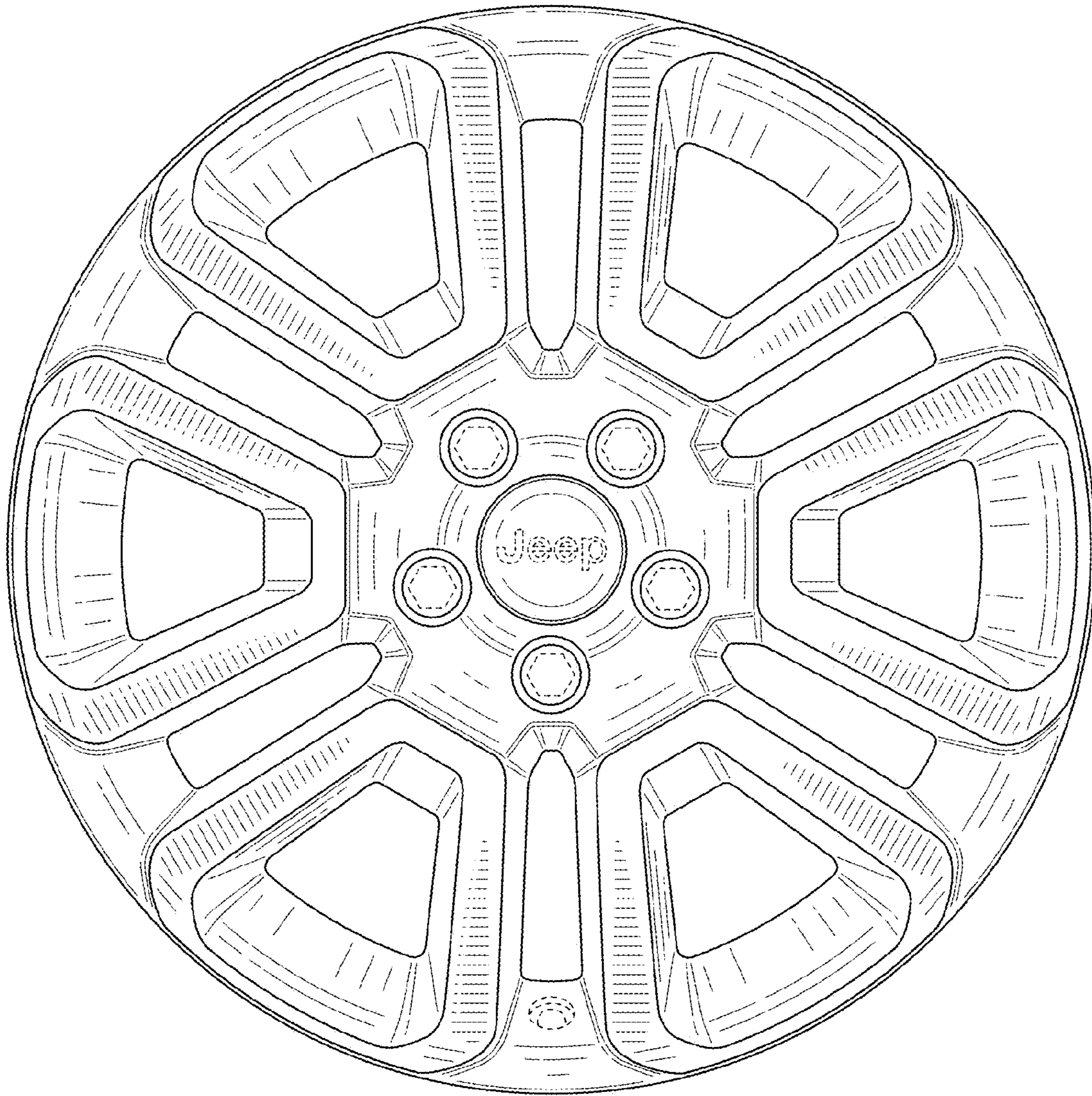


FIG. 3