



US00D757628S

(12) **United States Design Patent**
Rolfs et al.

(10) **Patent No.:** **US D757,628 S**

(45) **Date of Patent:** **** May 31, 2016**

(54) **AUTOMOBILE WHEEL**

(71) Applicants: **Jeremy Rolfs**, Sylvan Lake, MI (US);
David Scott, Clinton Township, MI
(US); **Mark C Trostle**, Rochester, MI
(US)

(72) Inventors: **Jeremy Rolfs**, Sylvan Lake, MI (US);
David Scott, Clinton Township, MI
(US); **Mark C Trostle**, Rochester, MI
(US)

(73) Assignee: **FCA US LLC**, Auburn Hills, MI (US)

(**) Term: **14 Years**

(21) Appl. No.: **29/517,192**

(22) Filed: **Feb. 11, 2015**

(51) **LOC (10) Cl.** **12-16**

(52) **U.S. Cl.**
USPC **D12/211**

(58) **Field of Classification Search**
USPC D12/204–213
CPC B60B 7/00; B60B 7/02; B60B 7/04;
B60B 7/01; B60B 7/06; B60B 3/02; B60B
3/04; B60B 3/06; B60B 3/10; B60B 1/00;
B60B 1/08; B60B 1/10; B60B 1/12
See application file for complete search history.

(56) **References Cited**

U.S. PATENT DOCUMENTS

D459,689 S * 7/2002 Hieke D12/211
D517,969 S * 3/2006 Brouillette D12/209

D530,258 S * 10/2006 Schell D12/211
D542,726 S * 5/2007 Hieke D12/209
D569,776 S * 5/2008 Hieke D12/211
D584,672 S * 1/2009 Osborne D12/209
D596,549 S * 7/2009 Varga D12/211
D614,108 S * 4/2010 Varga D12/211
D622,198 S * 8/2010 Jamieson D12/211
D649,106 S * 11/2011 Hrabcak D12/211
D669,408 S * 10/2012 Hans D12/211
D670,223 S * 11/2012 Chung D12/209
D673,102 S * 12/2012 Behmer D12/211
D706,198 S * 6/2014 Chung D12/211
D706,701 S * 6/2014 Mays D12/211
D734,705 S * 7/2015 Chung D12/211
D747,255 S * 1/2016 Kobayashi D12/211

* cited by examiner

Primary Examiner — Stacia Cadmus

(74) *Attorney, Agent, or Firm* — Ralph E. Smith

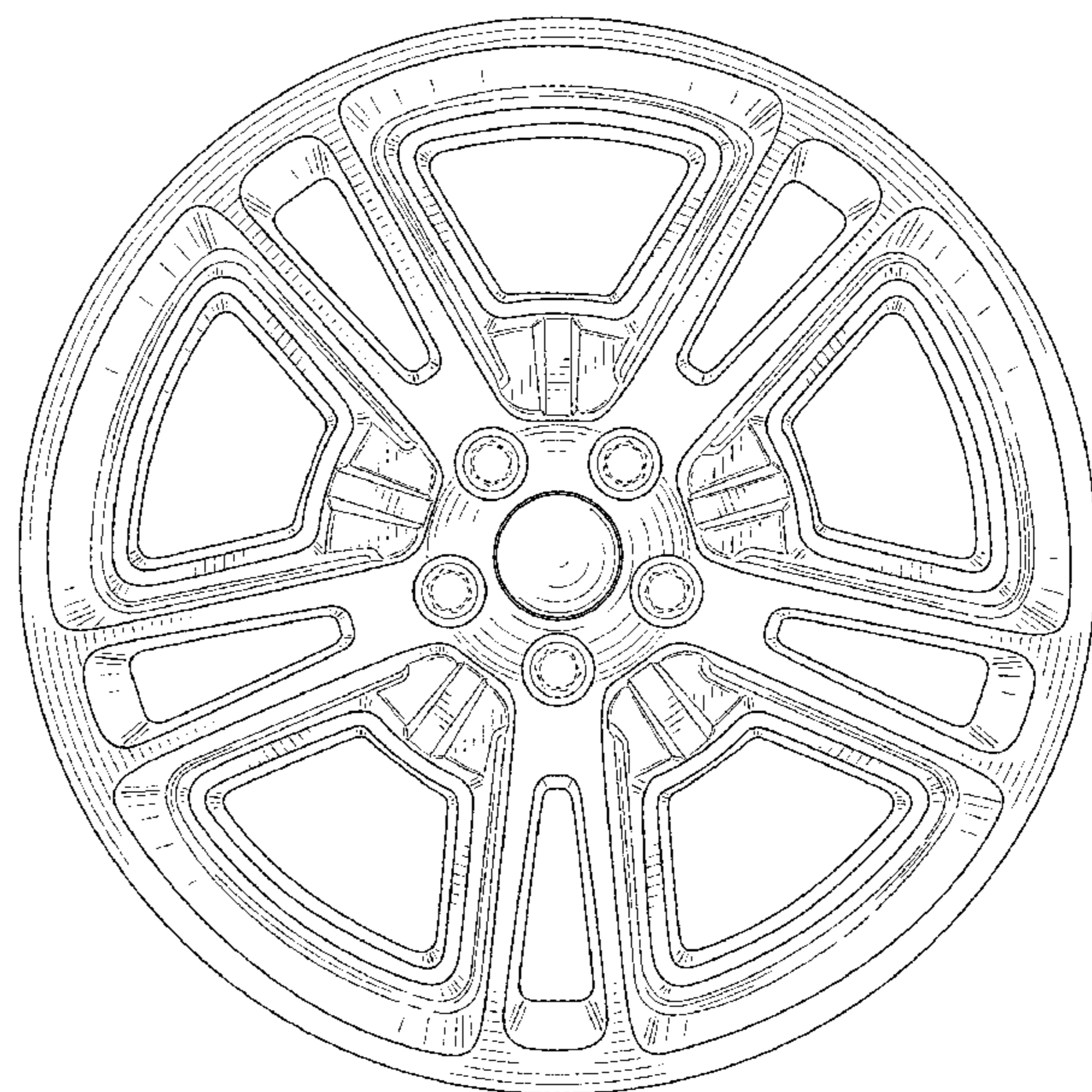
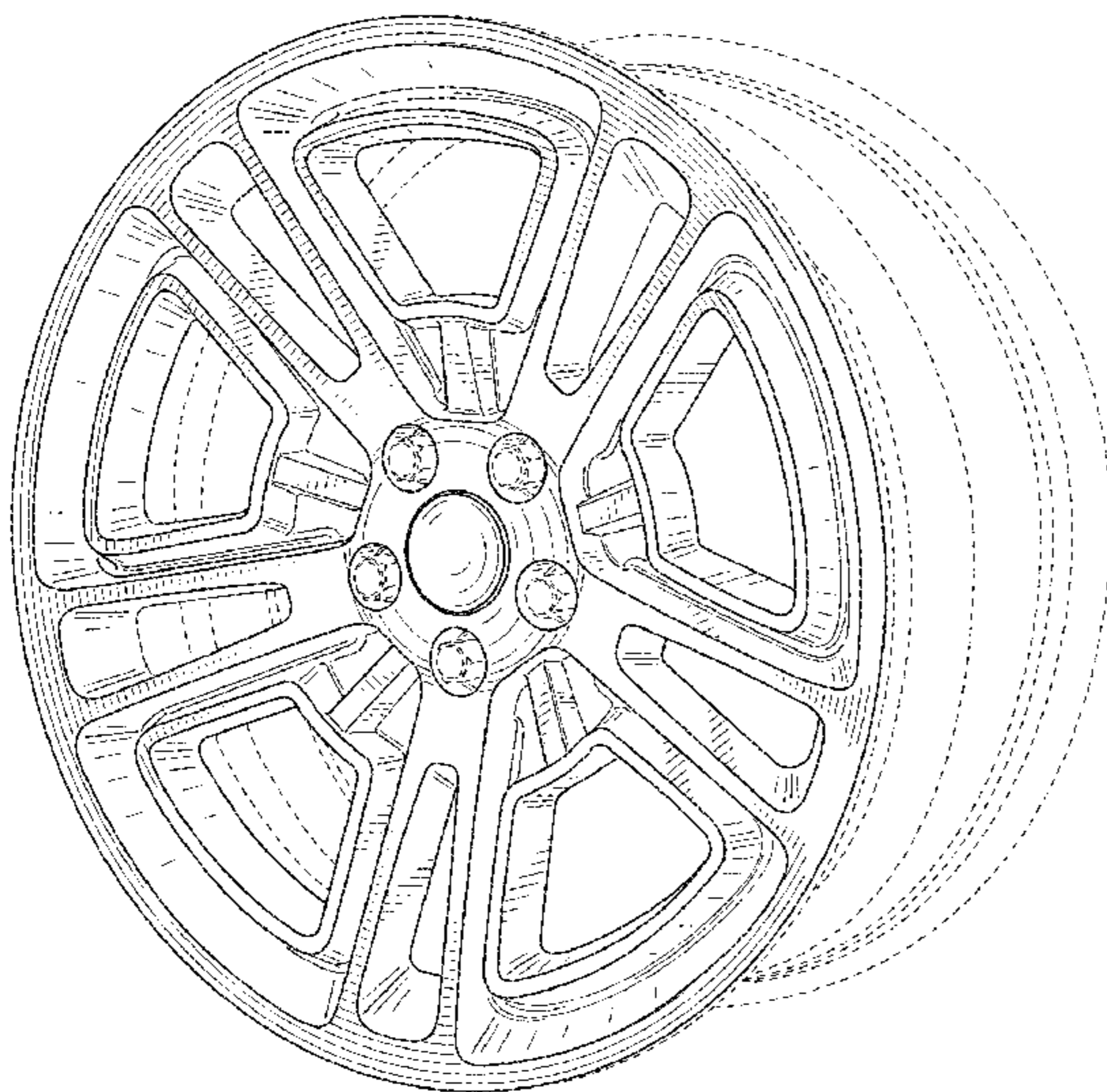
(57) **CLAIM**

The ornamental design for an automobile wheel, as shown and described.

DESCRIPTION

FIG. 1 is a right side perspective view of an automobile wheel showing our new design; FIG. 2 is a left side perspective view thereof; and, FIG. 3 is a front view. The broken line showing of the lug nuts in the central hub area and the rear portion of the wheel is included for the purpose of illustrating environment and forms no part of the claimed design.

1 Claim, 3 Drawing Sheets



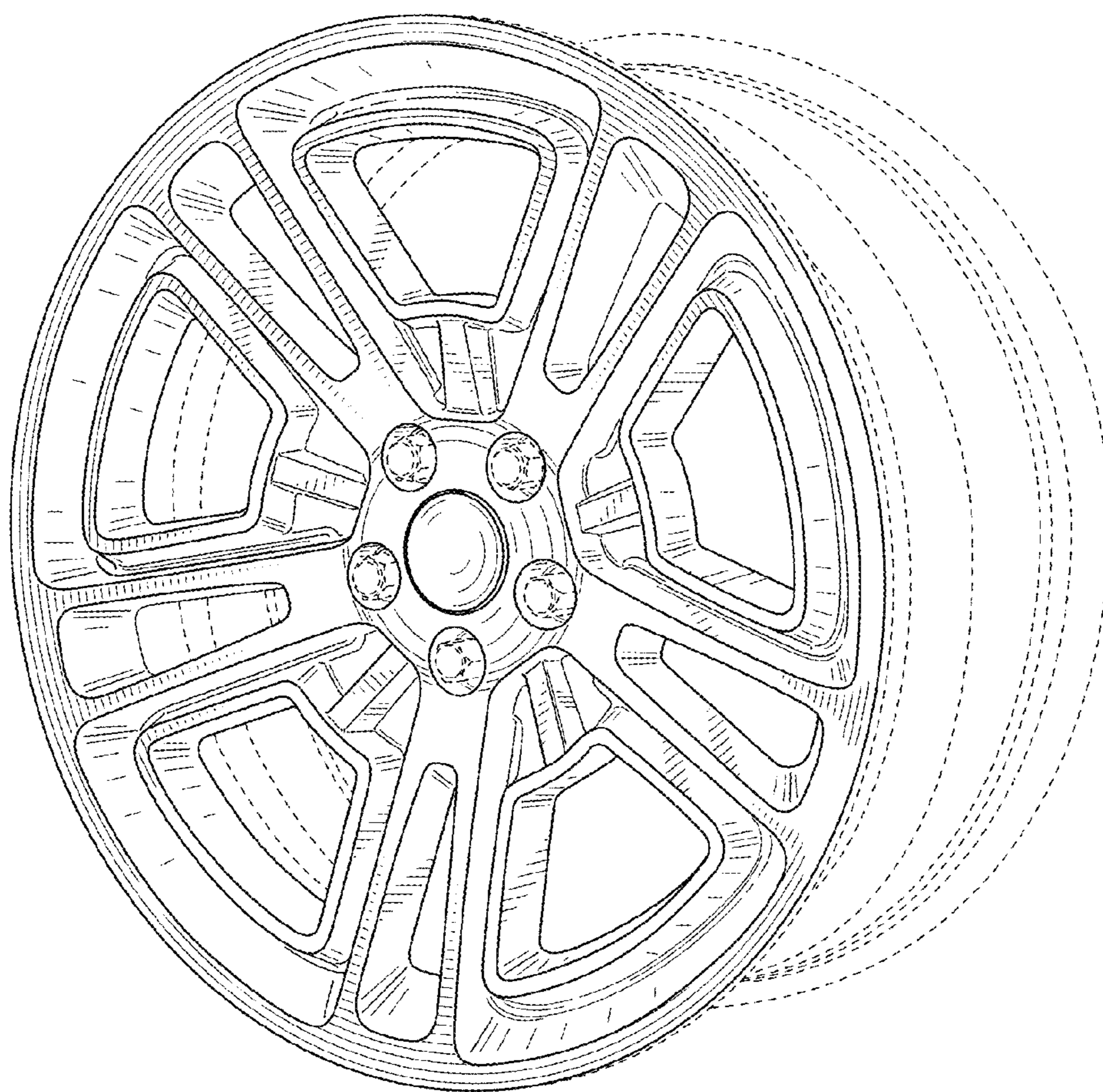


FIG. 1

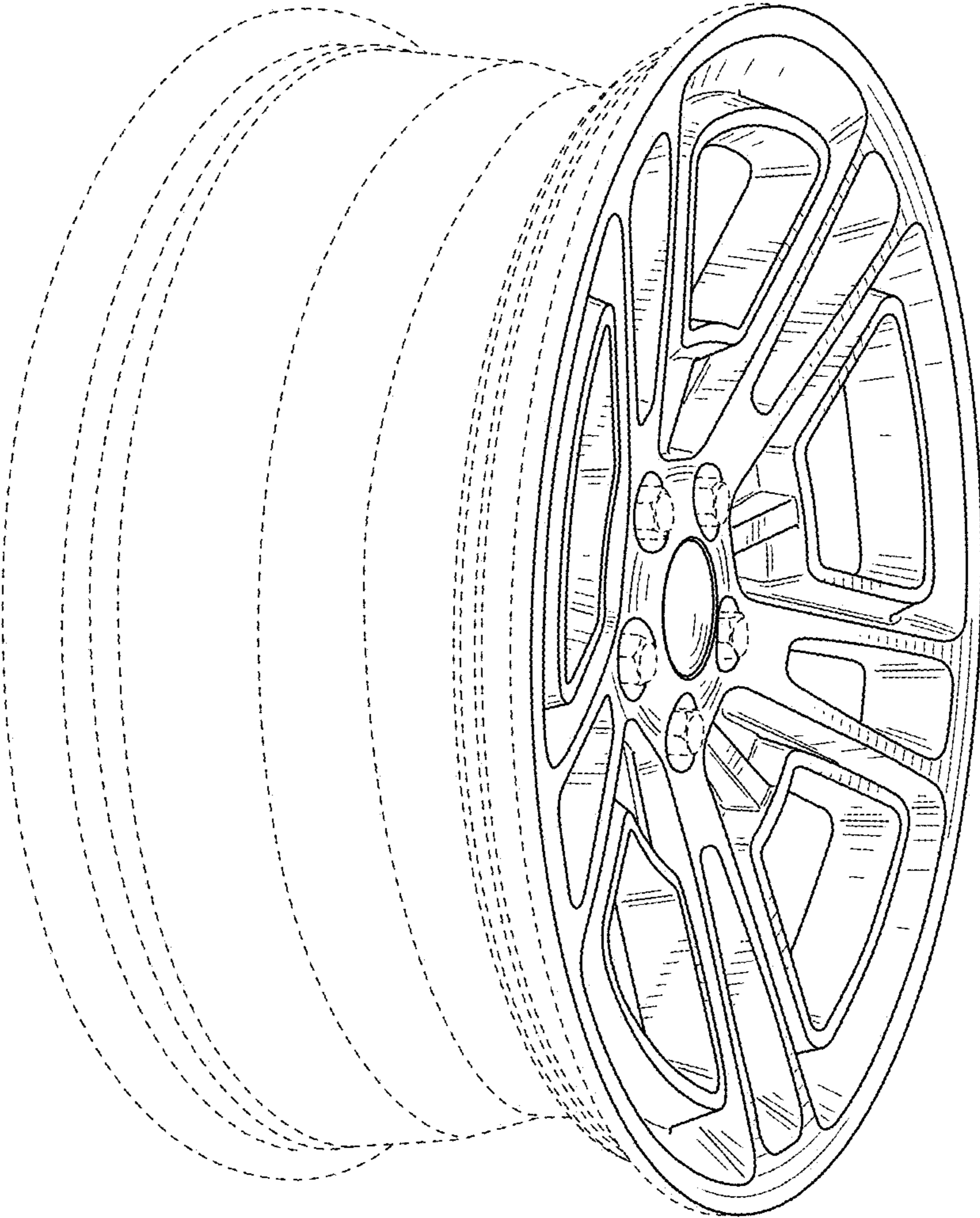


FIG. 2

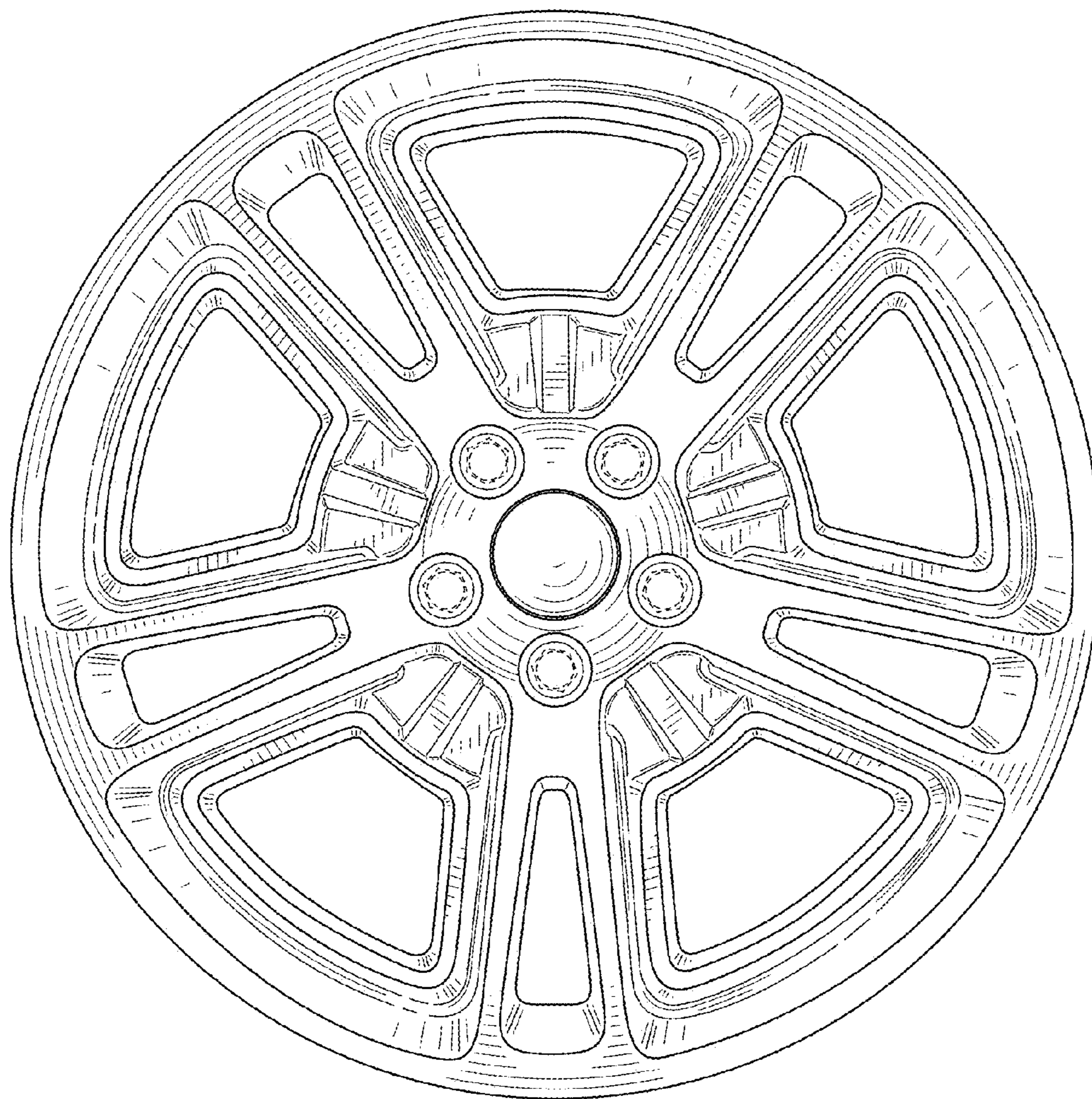


FIG. 3