



US00D757626S

(12) **United States Design Patent**
Bridan et al.

(10) **Patent No.:** **US D757,626 S**

(45) **Date of Patent:** **** May 31, 2016**

(54) **WHEEL**

(71) Applicant: **Honda Motor Co., Ltd.**, Tokyo (JP)

(72) Inventors: **Iliya Bridan**, Long Beach, CA (US);
Damon Schell, Long Beach, CA (US);
Takashi Hamada, Rancho Palos Verdes,
CA (US)

(73) Assignee: **Honda Motor Co., Ltd.**, Tokyo (JP)

(**) Term: **15 Years**

(21) Appl. No.: **29/543,672**

(22) Filed: **Oct. 27, 2015**

(51) **LOC (10) Cl.** **12-16**

(52) **U.S. Cl.**
USPC **D12/209**

(58) **Field of Classification Search**
USPC D12/204–213
CPC B60B 7/00; B60B 7/02; B60B 7/04;
B60B 7/01; B60B 7/06; B60B 3/02; B60B
3/04; B60B 3/06; B60B 3/10; B60B 1/00;
B60B 1/08; B60B 1/10; B60B 1/12
See application file for complete search history.

(56) **References Cited**

U.S. PATENT DOCUMENTS

D405,043 S *	2/1999	Moreno	D12/209
D420,319 S *	2/2000	Ruslan	D12/209
D430,842 S *	9/2000	Chinellato	D12/209
D432,481 S *	10/2000	Brown	D12/209
D455,991 S *	4/2002	Kaucher	D12/209
D617,717 S *	6/2010	Nordmann	D12/211

D639,226 S *	6/2011	Juergens	D12/211
D669,833 S *	10/2012	Pollmann	D12/209
D671,060 S *	11/2012	Baum	D12/209
D678,157 S *	3/2013	Perini	D12/209
D685,709 S *	7/2013	Hanaoka	D12/209
D688,185 S *	8/2013	Baum	D12/209
D695,190 S *	12/2013	Goto	D12/209
D695,668 S *	12/2013	Juergens	D12/209
D697,467 S *	1/2014	Pollmann	D12/209
D719,892 S *	12/2014	Hodges	D12/209
D723,445 S *	3/2015	Hodges	D12/209
D725,568 S *	3/2015	Hodges	D12/209

* cited by examiner

Primary Examiner — Stacia Cadmus

(74) *Attorney, Agent, or Firm* — Arent Fox LLP

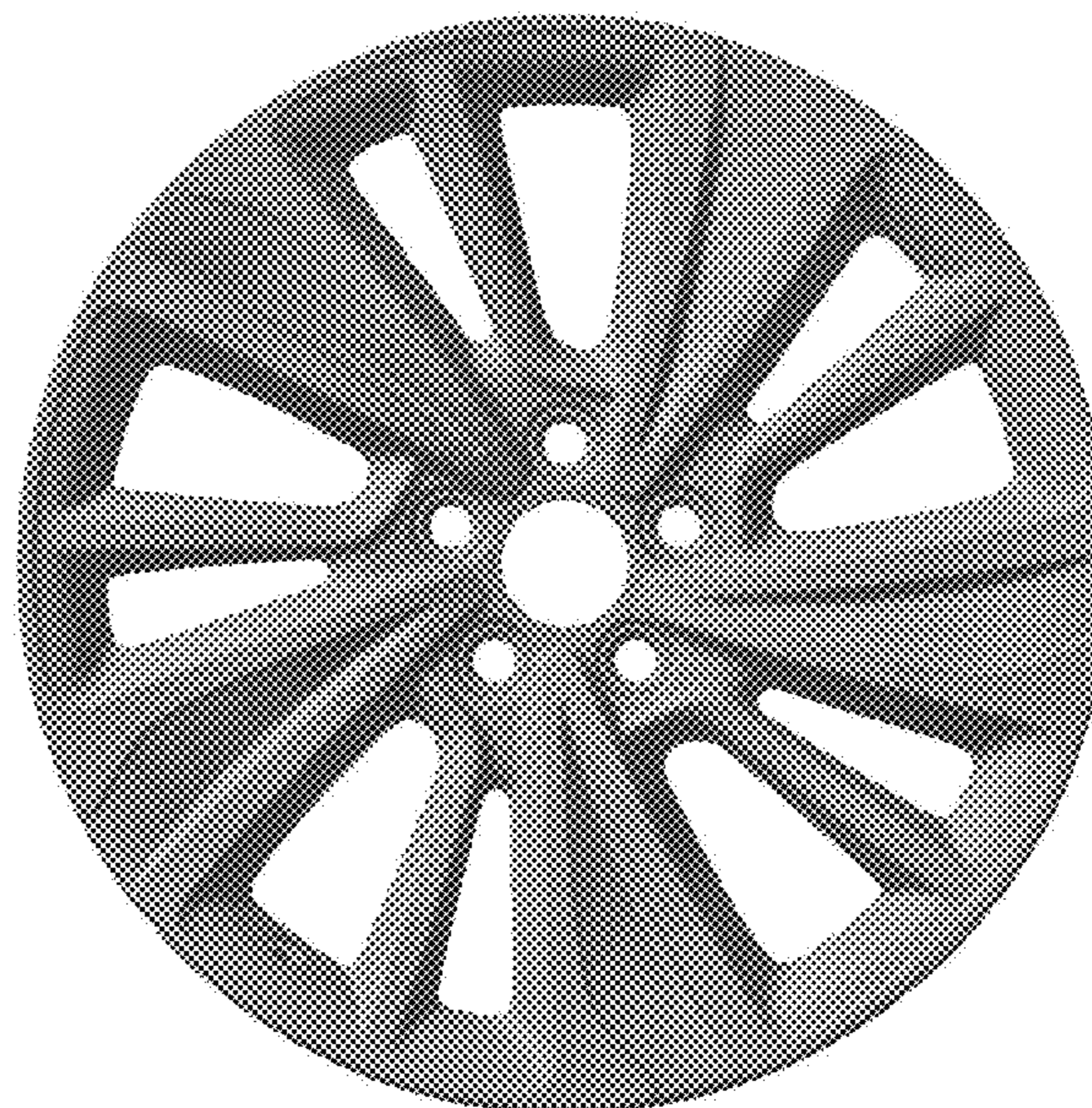
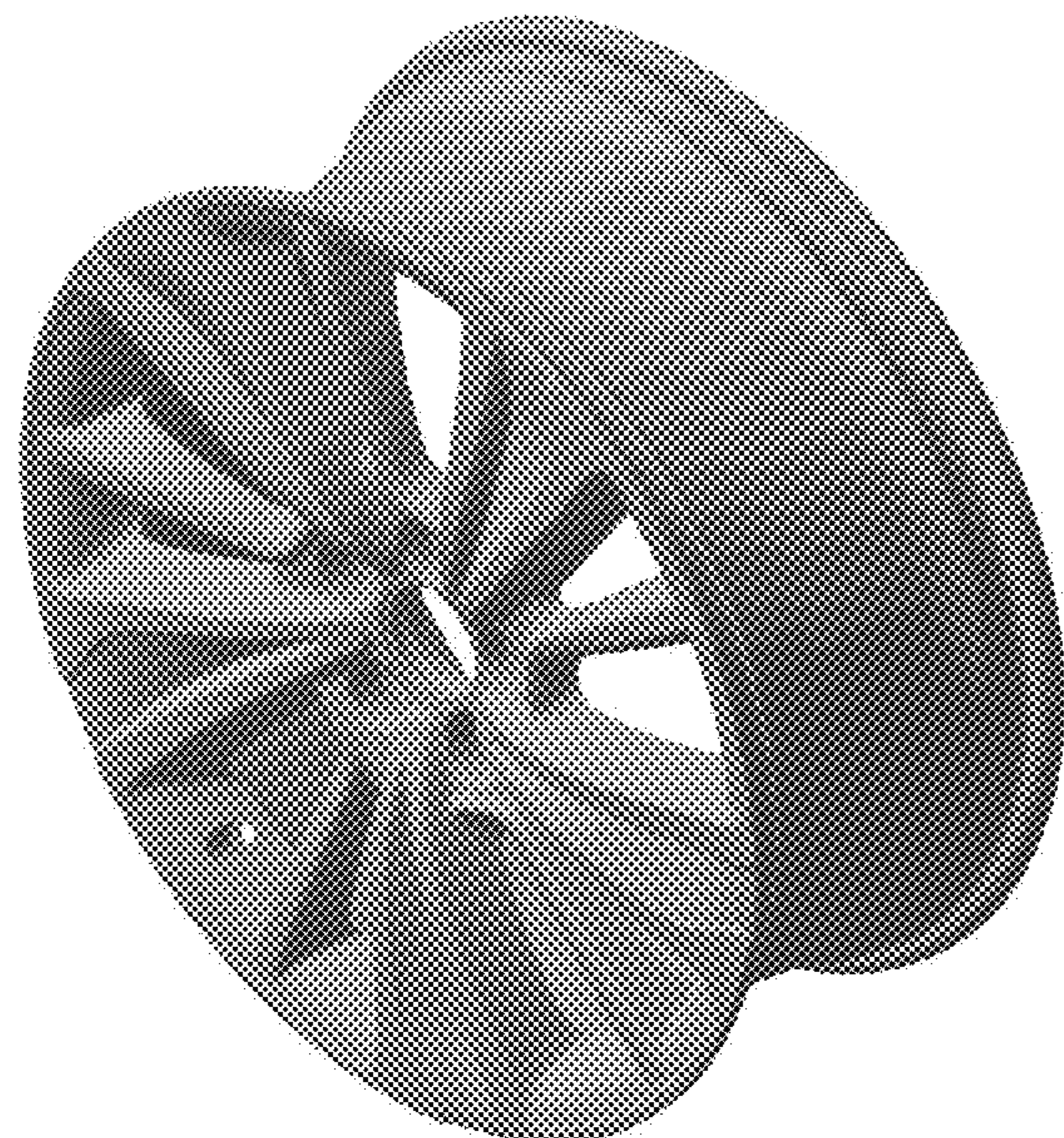
(57) **CLAIM**

The ornamental design for a wheel, as shown and described.

DESCRIPTION

FIG. 1 is a front right perspective view of a wheel showing our new design;
FIG. 2 is a rear right perspective view of the design shown in FIG. 1;
FIG. 3 is a rear left perspective view of the design shown in FIG. 1;
FIG. 4 is a front left perspective view of the design shown in FIG. 1;
FIG. 5 is a left side view of the design shown in FIG. 1;
FIG. 6 is a right side view of the design shown in FIG. 1;
FIG. 7 is a rear view of the design shown in FIG. 1;
FIG. 8 is a front view of the design shown in FIG. 1;
FIG. 9 is a top view of the design shown in FIG. 1; and,
FIG. 10 is a bottom view of the design shown in FIG. 1.

1 Claim, 10 Drawing Sheets



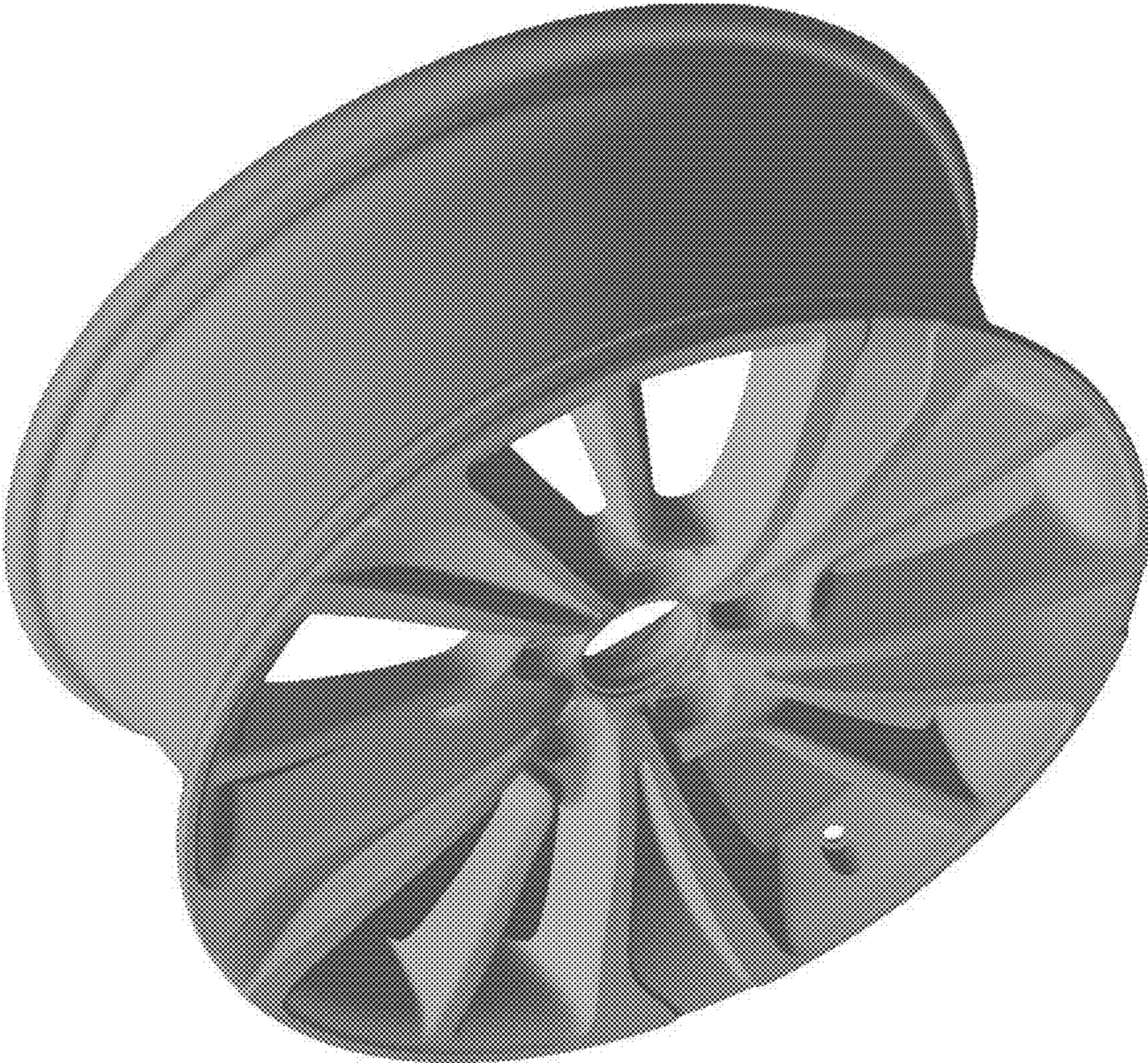


FIGURE 1

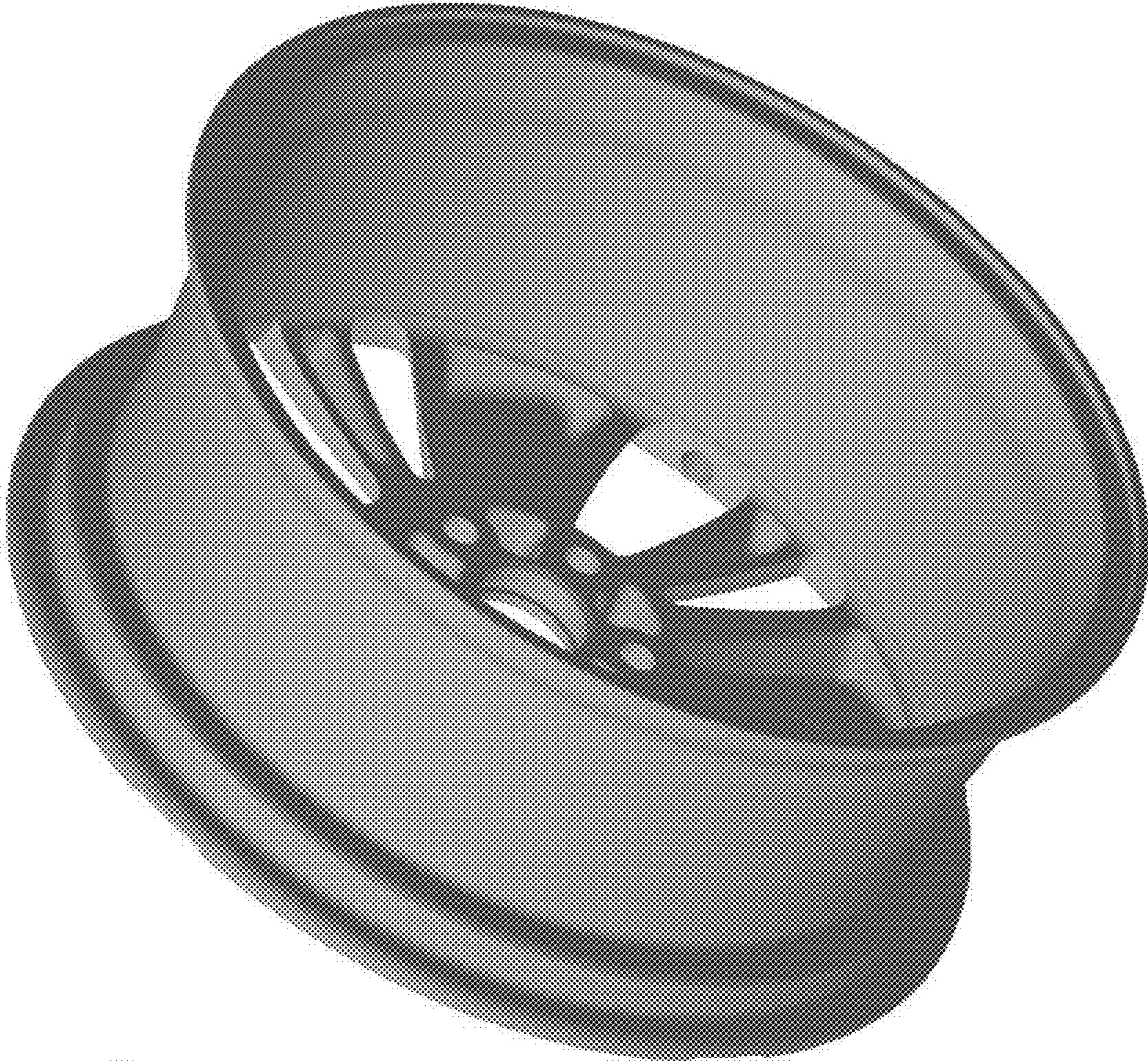


FIGURE 2

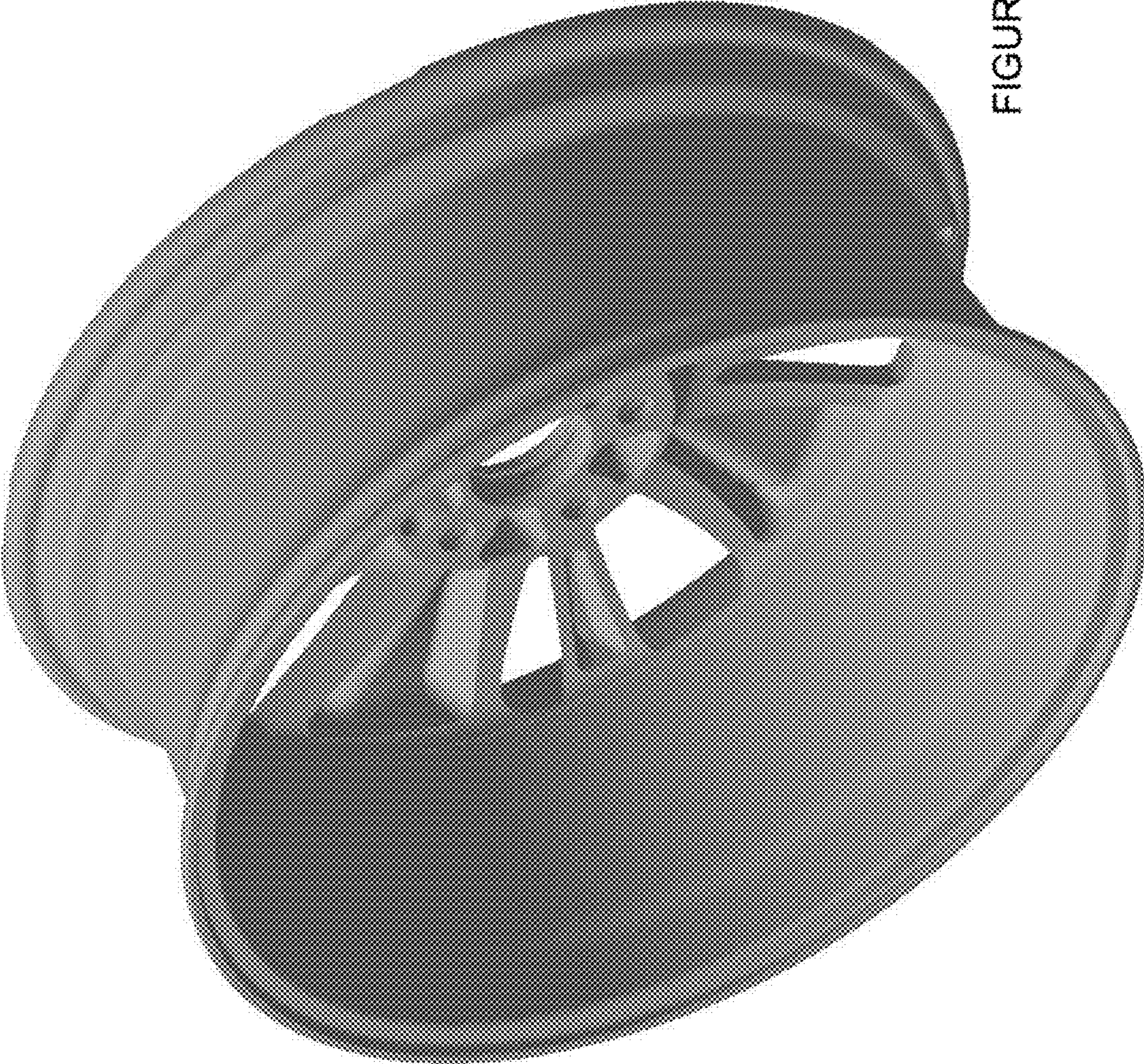


FIGURE 3

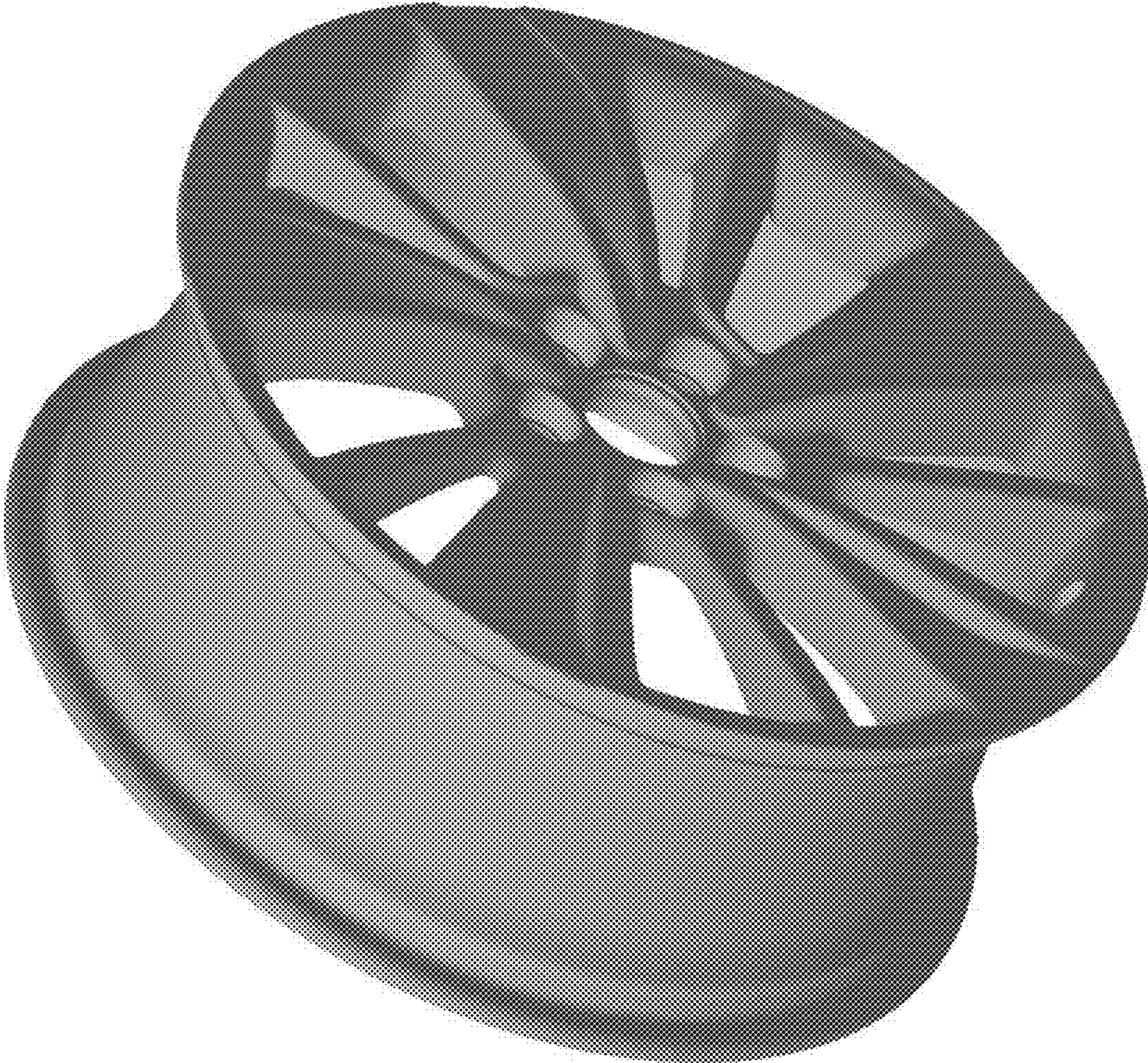


FIGURE 4

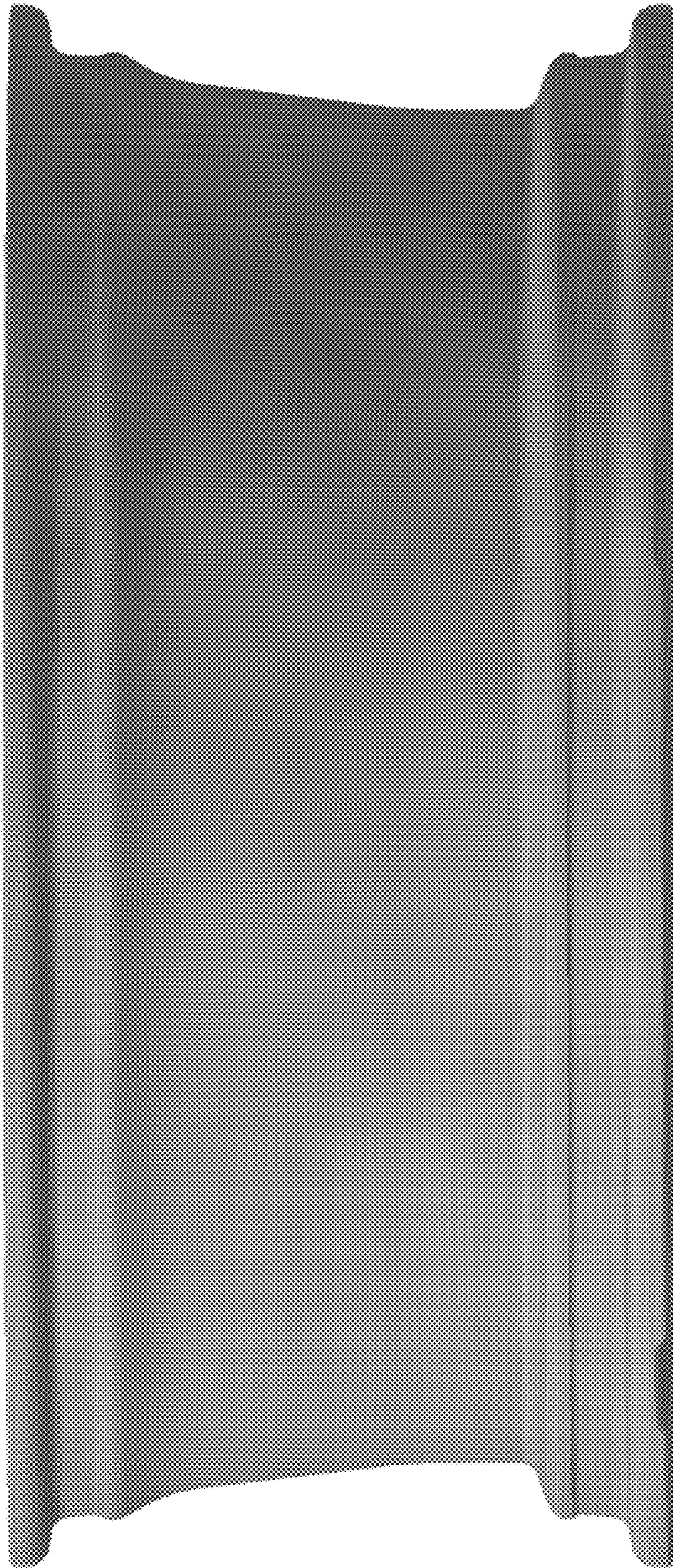


FIGURE 5

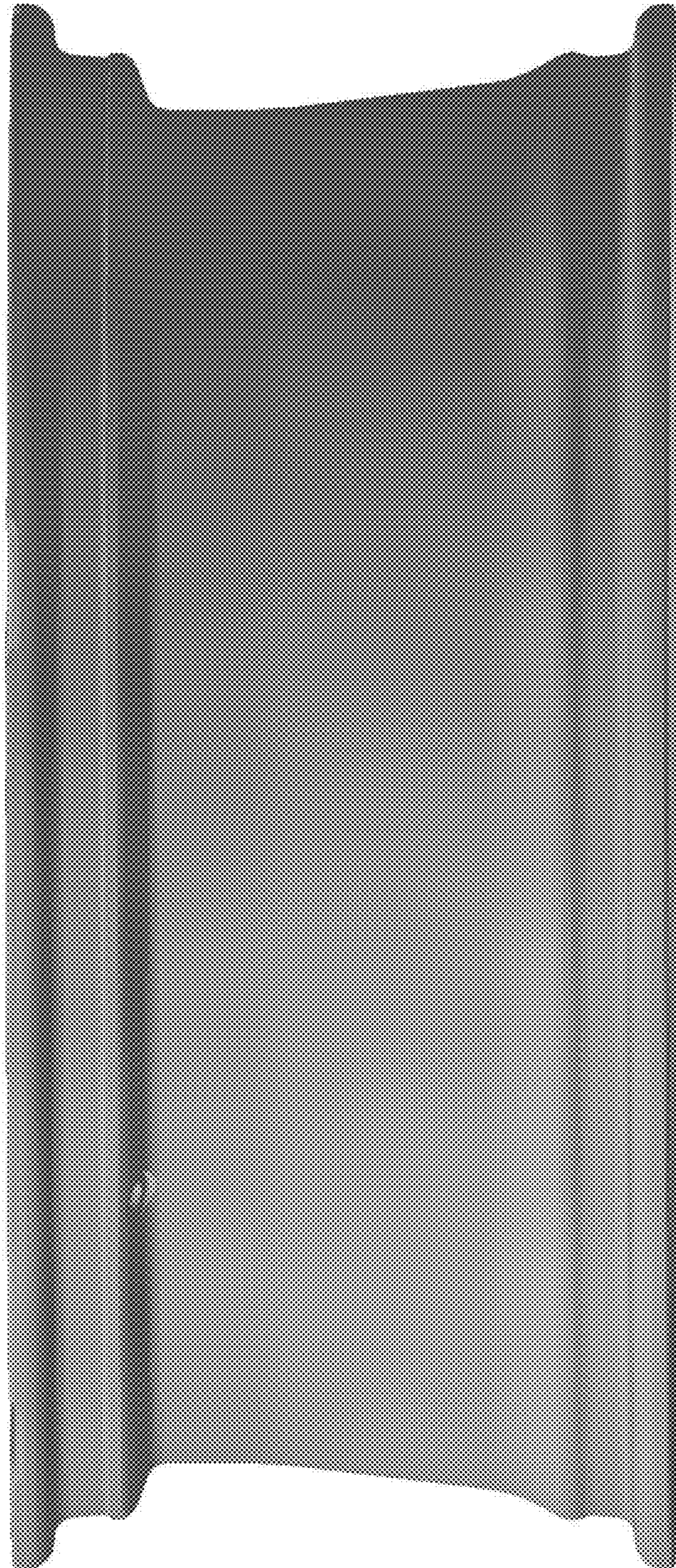


FIGURE 6



FIGURE 7

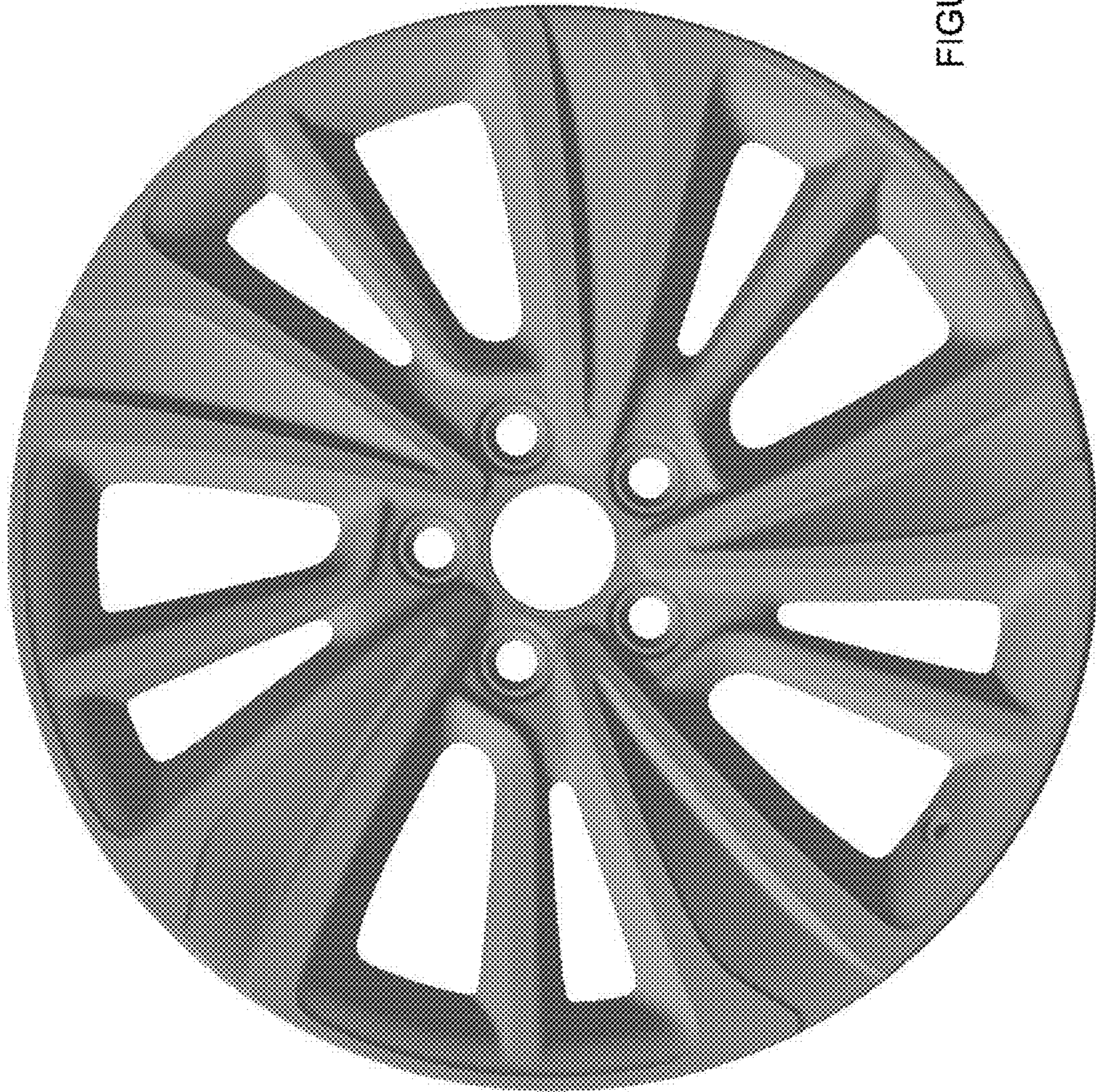


FIGURE 8



FIGURE 9

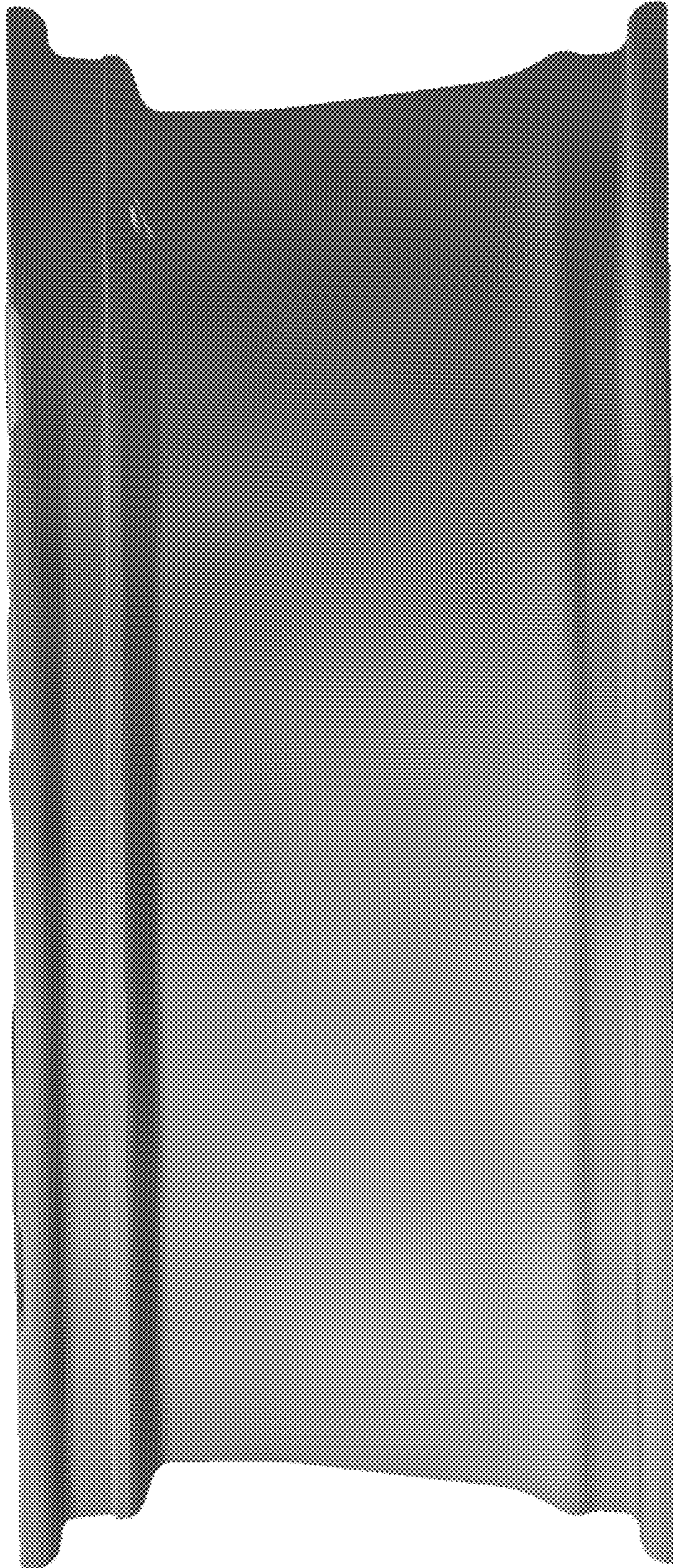


FIGURE 10

1