



US00D757624S

(12) **United States Design Patent**
Hammoud

(10) **Patent No.:** **US D757,624 S**

(45) **Date of Patent:** **** May 31, 2016**

(54) **AUTOMOBILE WHEEL**

(71) Applicant: **Mohamad J Hammoud**, Lake Orion,
MI (US)

(72) Inventor: **Mohamad J Hammoud**, Lake Orion,
MI (US)

(73) Assignee: **FCA US LLC**, Auburn Hills, MI (US)

(**) Term: **14 Years**

(21) Appl. No.: **29/521,457**

(22) Filed: **Mar. 24, 2015**

(51) **LOC (10) Cl.** **12-16**

(52) **U.S. Cl.**
USPC **D12/209**

(58) **Field of Classification Search**
USPC D12/204–213
CPC B60B 7/00; B60B 7/02; B60B 7/04;
B60B 7/01; B60B 7/06; B60B 3/02; B60B
3/04; B60B 3/06; B60B 3/10; B60B 1/00;
B60B 1/08; B60B 1/10; B60B 1/12
See application file for complete search history.

(56) **References Cited**

U.S. PATENT DOCUMENTS

D466,467 S	*	12/2002	Hodges	D12/211
D491,124 S	*	6/2004	Rice	D12/209
D496,318 S	*	9/2004	Cheng	D12/209
D512,007 S	*	11/2005	Sze	D12/209
D517,968 S	*	3/2006	Morioka	D12/209

D539,720 S	*	4/2007	Looho	D12/209
D540,238 S	*	4/2007	Sycha	D12/209
D560,585 S	*	1/2008	Blasi	D12/209
D593,018 S	*	5/2009	Juergens	D12/209
D593,920 S	*	6/2009	Juergens	D12/209
D614,558 S	*	4/2010	Luciani	D12/209
D617,712 S	*	6/2010	Juergens	D12/209
D618,152 S	*	6/2010	Juergens	D12/209
D664,081 S	*	7/2012	Muller	D12/209
D671,477 S	*	11/2012	Juergens	D12/209
D680,483 S	*	4/2013	Zhao	D12/209
D706,696 S	*	6/2014	Chung	D12/209
D715,718 S	*	10/2014	Gotschke	D12/209
D726,619 S	*	4/2015	Gotschke	D12/209
D728,441 S	*	5/2015	Zhang	D12/209
D737,748 S	*	9/2015	Henstridge	D12/209

* cited by examiner

Primary Examiner — Stacia Cadmus

(74) *Attorney, Agent, or Firm* — Ralph E Smith

(57) **CLAIM**

The ornamental design for an automobile wheel, as shown and described.

DESCRIPTION

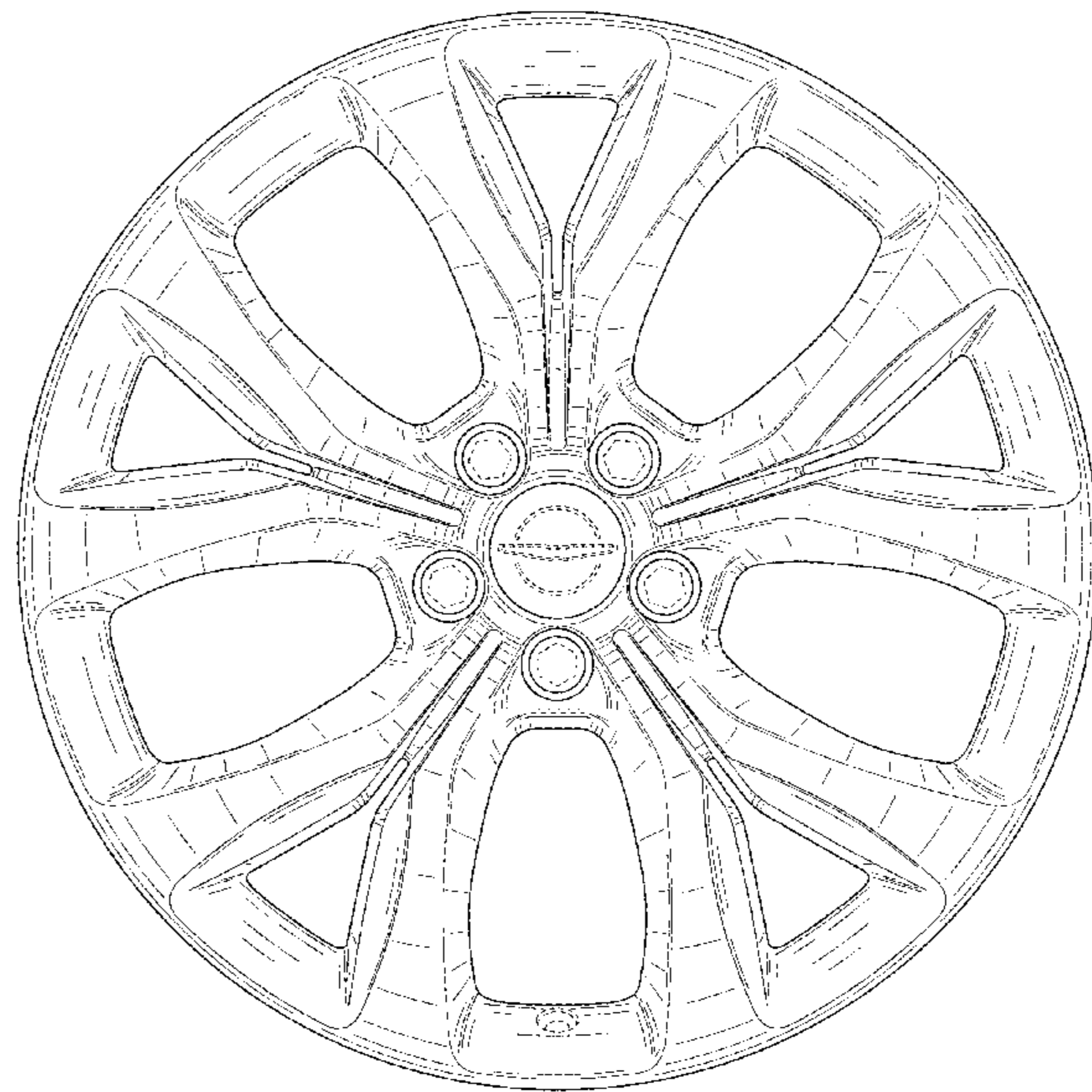
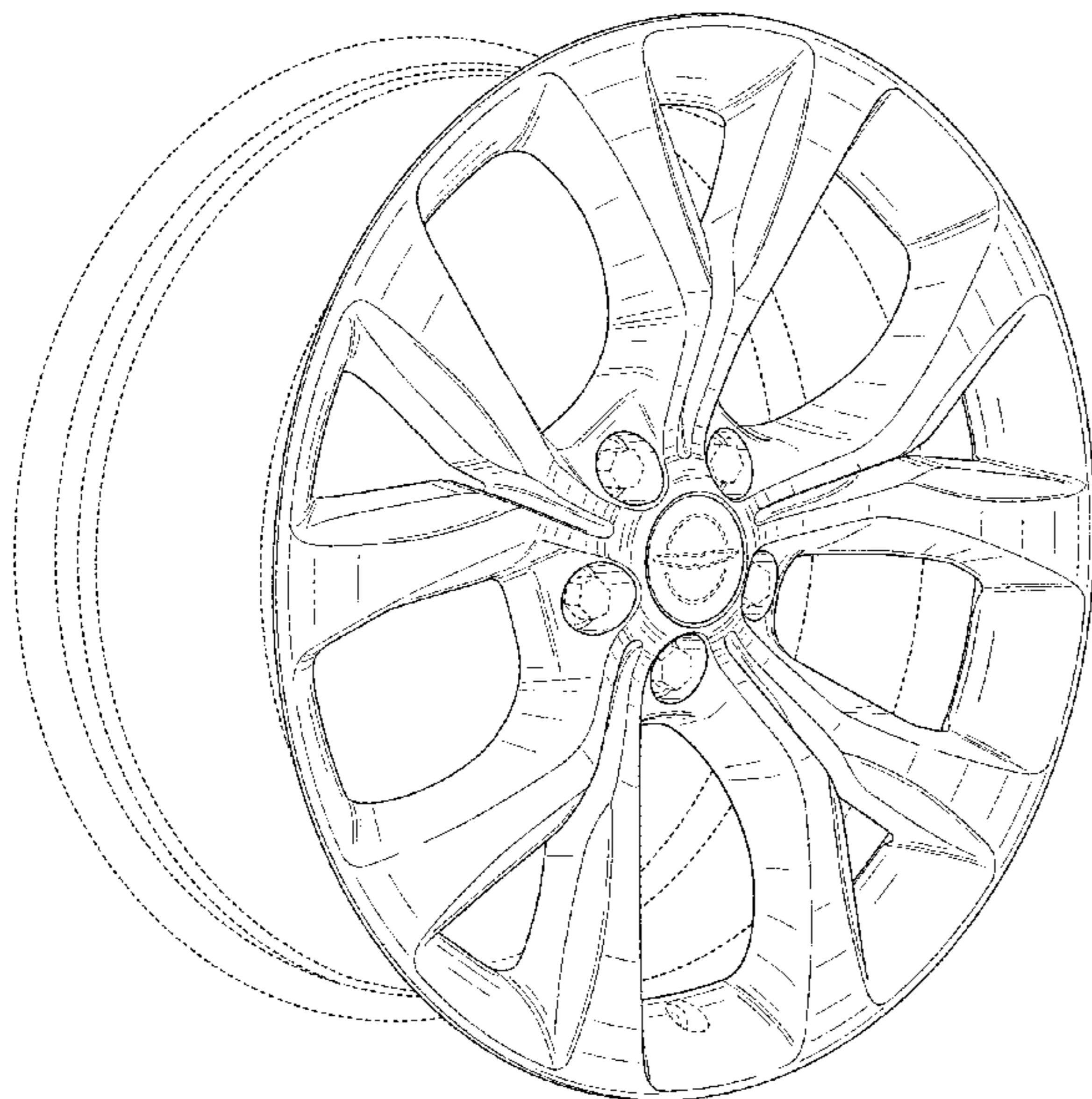
FIG. 1 is a left side perspective view of an automobile wheel showing our new design;

FIG. 2 is a right side perspective view thereof; and,

FIG. 3 is a front view.

The broken line showing of the valve stem hole, the lug nuts in the central hub area, the logo on the center cap and the rear portion of the wheel is included for the purpose of illustrating environment and forms no part of the claimed design.

1 Claim, 3 Drawing Sheets



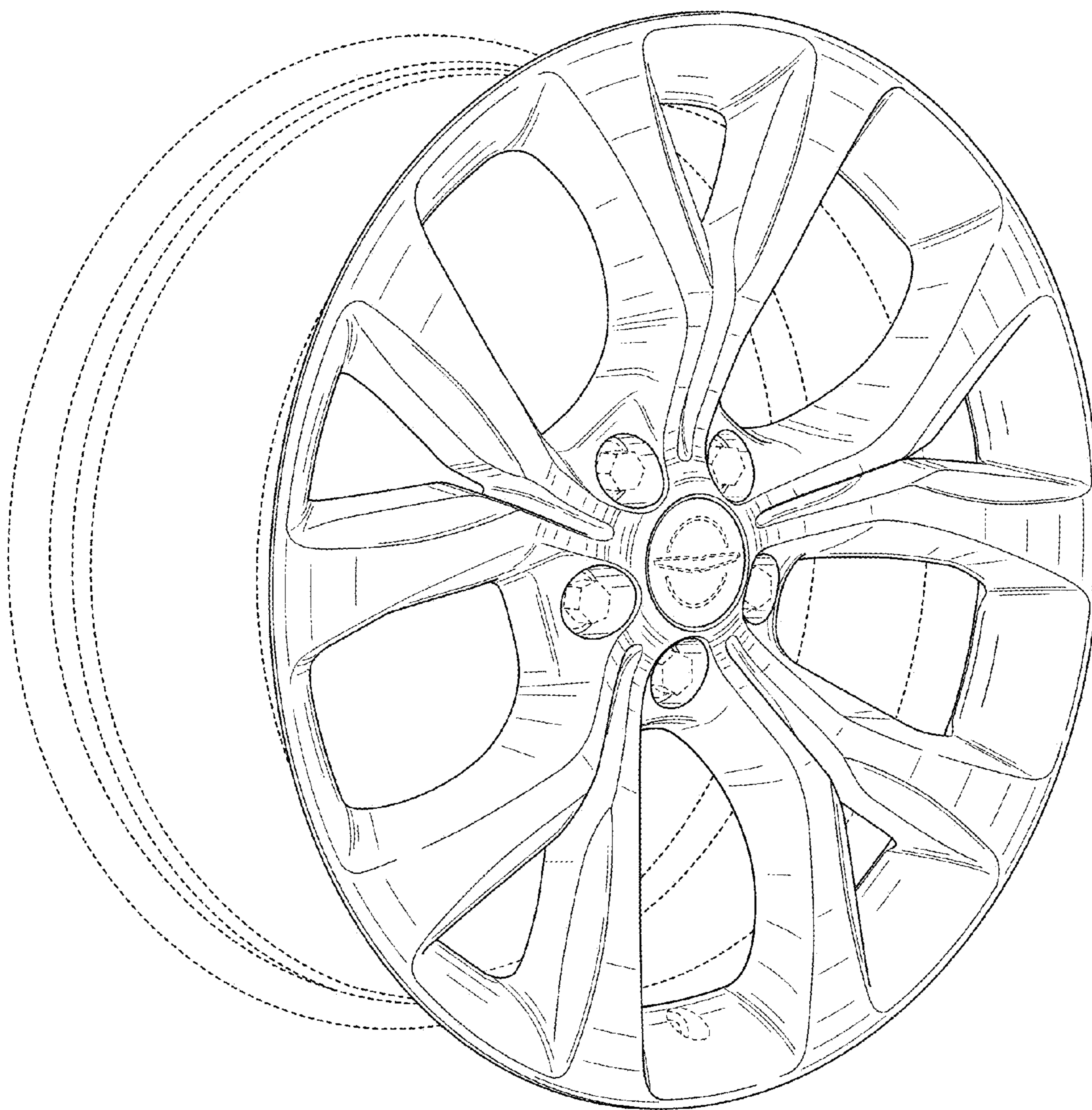


FIG. 1

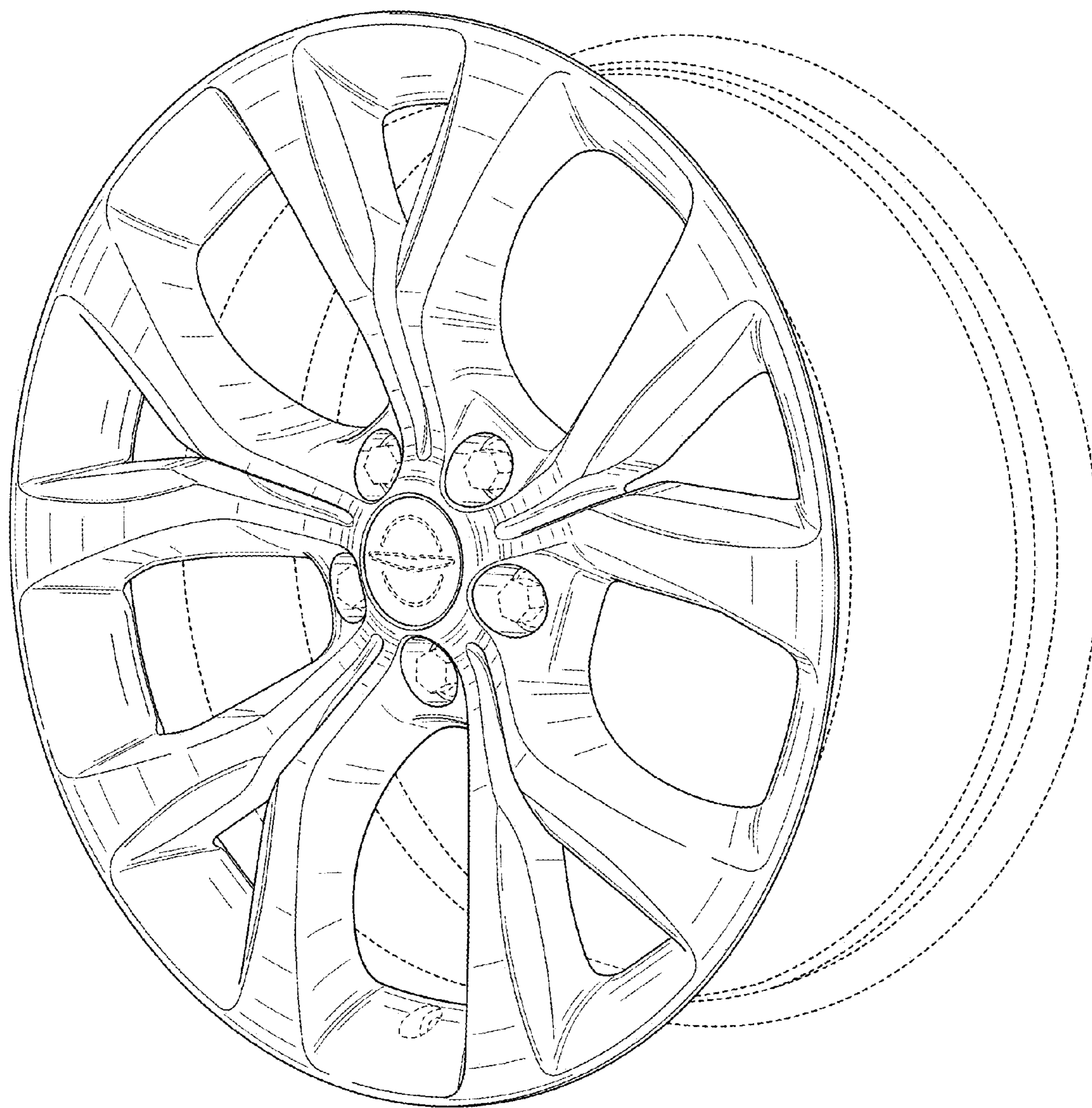


FIG. 2

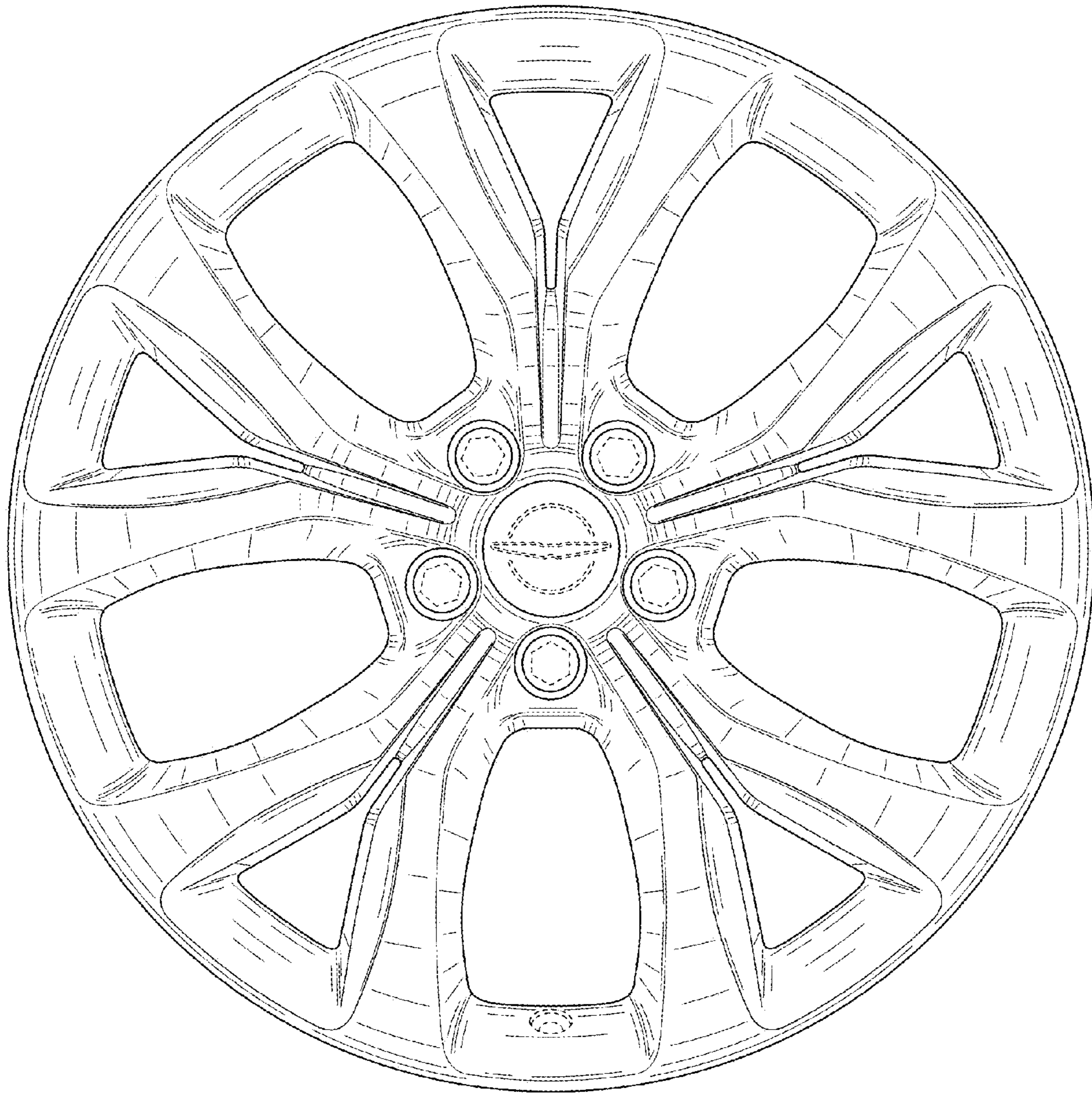


FIG. 3