



US00D757623S

(12) **United States Design Patent**
Rowe

(10) **Patent No.:** **US D757,623 S**

(45) **Date of Patent:** **** May 31, 2016**

(54) **WHEEL**

(71) Applicant: **Richard Sam Rowe**, Toronto (CA)

(72) Inventor: **Richard Sam Rowe**, Toronto (CA)

(73) Assignee: **Richard Sam Rowe**, Toronto (CA)

(**) Term: **14 Years**

(21) Appl. No.: **29/471,632**

(22) Filed: **Nov. 4, 2013**

(51) **LOC (10) Cl.** **12-16**

(52) **U.S. Cl.**
USPC **D12/204**

(58) **Field of Classification Search**
USPC D12/204–213
CPC B60B 7/00; B60B 7/02; B60B 7/04;
B60B 7/01; B60B 7/06; B60B 3/02; B60B
3/04; B60B 3/06; B60B 3/10; B60B 1/00;
B60B 1/08; B60B 1/10; B60B 1/12
See application file for complete search history.

(56) **References Cited**

U.S. PATENT DOCUMENTS

2,016,095	A	*	10/1935	Martin	D12/204
2,621,081	A	*	12/1952	Mann	D12/213
D203,260	S	*	12/1965	McNulty	D12/204
D415,089	S	*	10/1999	Schardt	D12/208
D447,105	S	*	8/2001	Meza	D12/204
D474,438	S	*	5/2003	Gamble et al.	D12/209
D504,095	S	*	4/2005	Sabblah	D12/204
D504,376	S	*	4/2005	Tsai	D12/204

D556,665	S	*	12/2007	Amadio et al.	D12/209
D559,756	S	*	1/2008	Bowden	D12/204
D601,073	S	*	9/2009	Karim	D12/209
D635,080	S	*	3/2011	Ali-Bey	D12/209

FOREIGN PATENT DOCUMENTS

CA 153492 10/2013

* cited by examiner

Primary Examiner — Stacia Cadmus

(57) **CLAIM**

The ornamental design for a wheel, as shown and described.

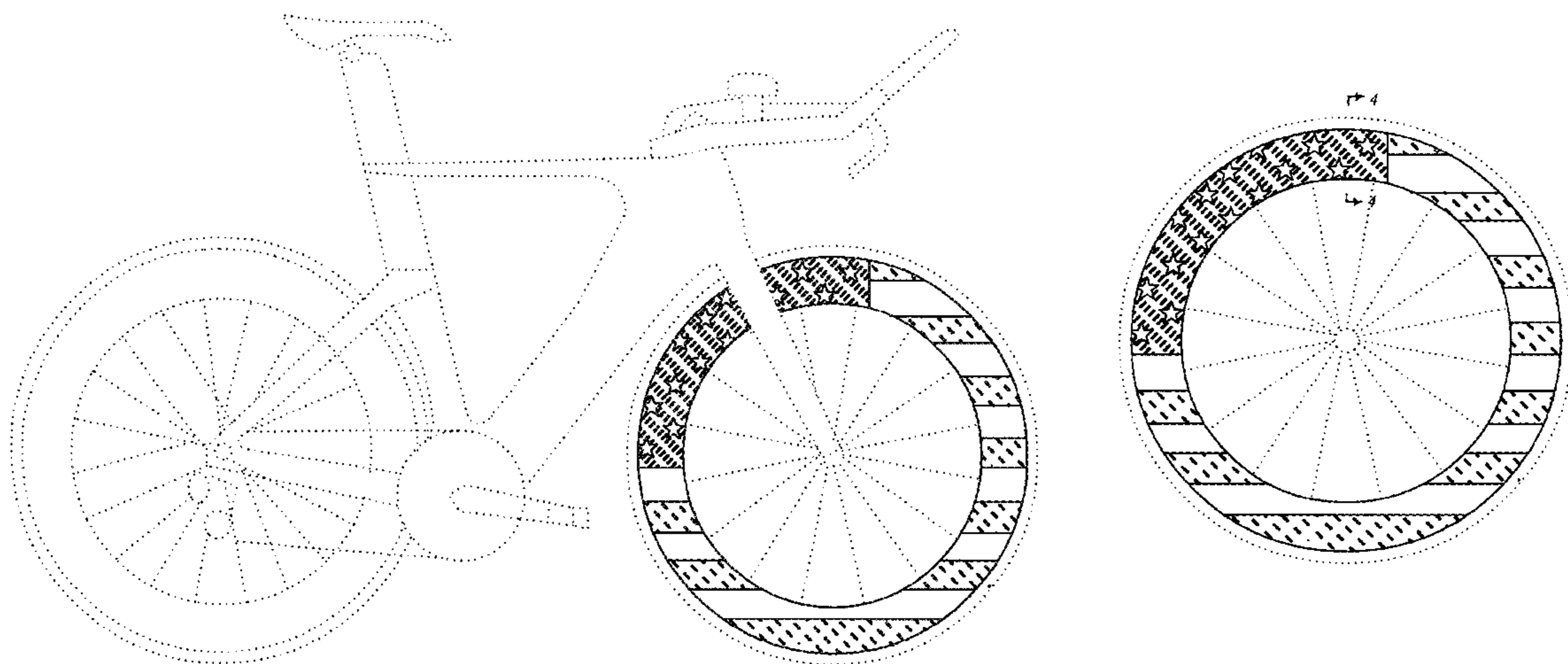
DESCRIPTION

FIG. 1 is a side view of a wheel, showing my new design, shown in its position of use;
FIG. 2 is a side view of a wheel;
FIG. 3 is a side view of a wheel showing a second embodiment of my new design; and,
FIG. 4 is an enlarged section view taken along line 4-4 in FIG. 2.

The dash-dot lines in the drawings and the unlined areas of the annular bands adjacent the dash-dot lined areas of the bands illustrate respective colors; and the unlined areas and the differing orientations of the dash-dot lines illustrate different respective colors for the respective embodiment.

The broken line showing of the bicycle, the spokes and the wheel is included for the purpose of illustrating environment and forms no part of the claimed design.

1 Claim, 3 Drawing Sheets



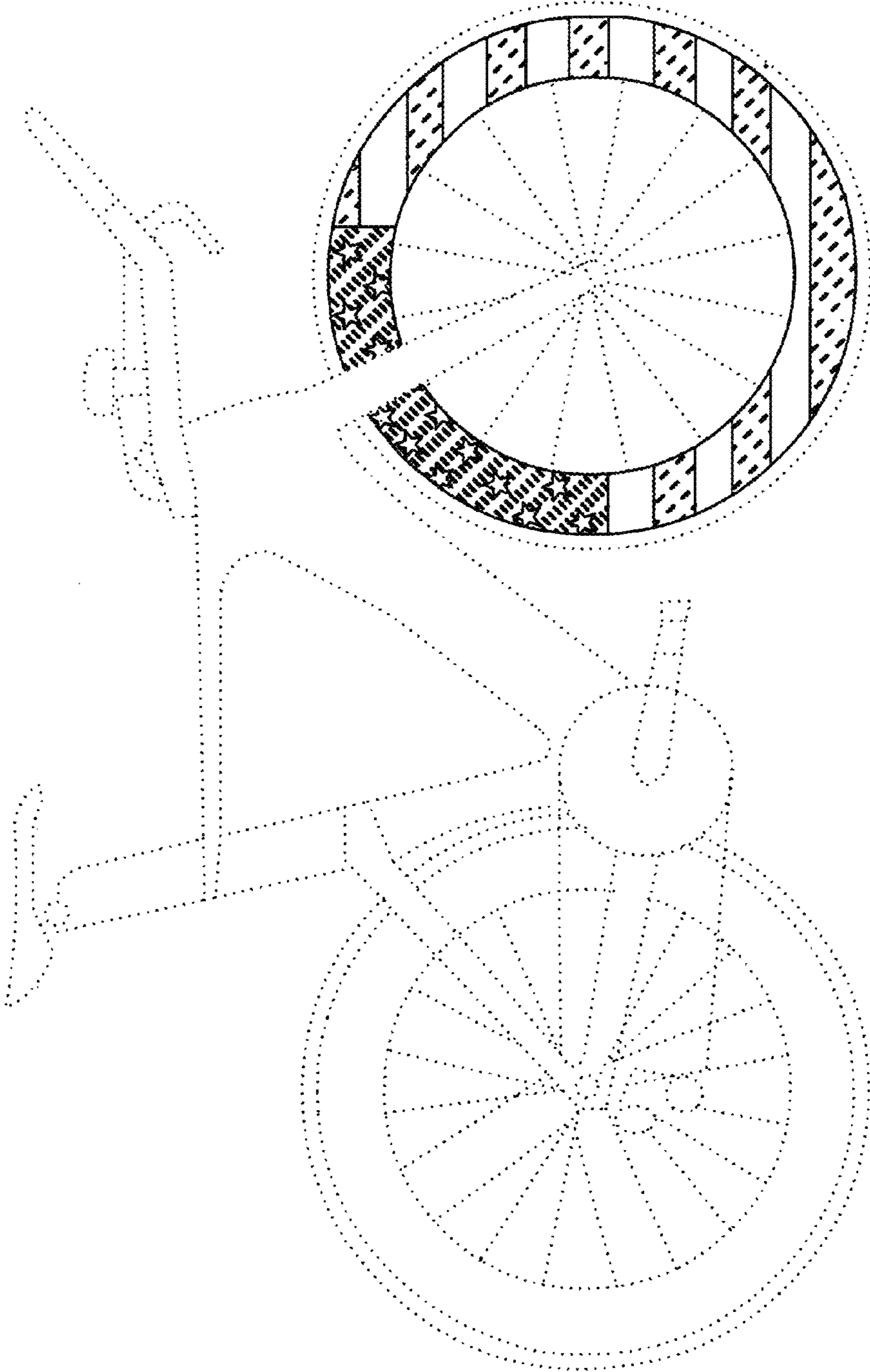
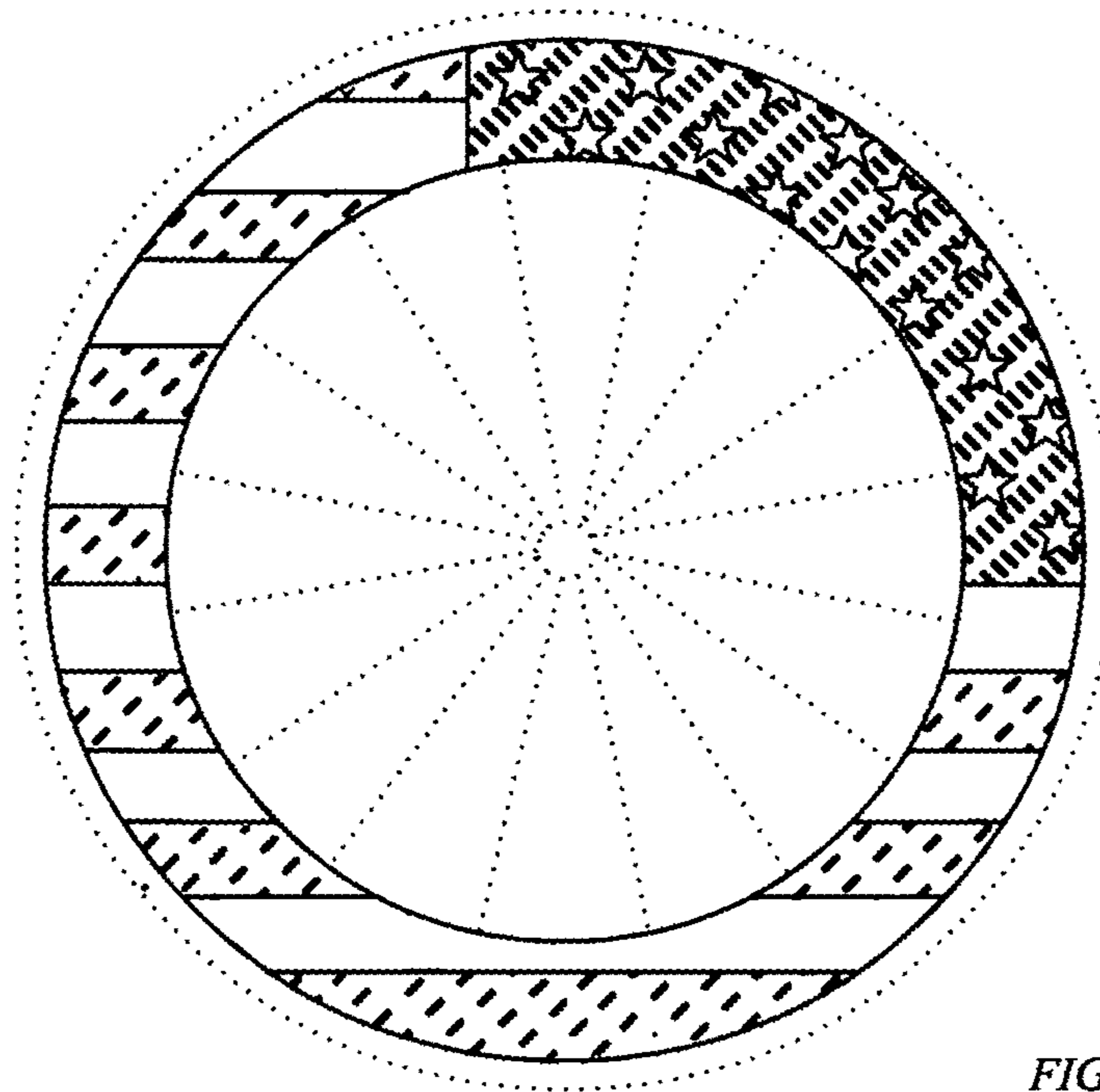
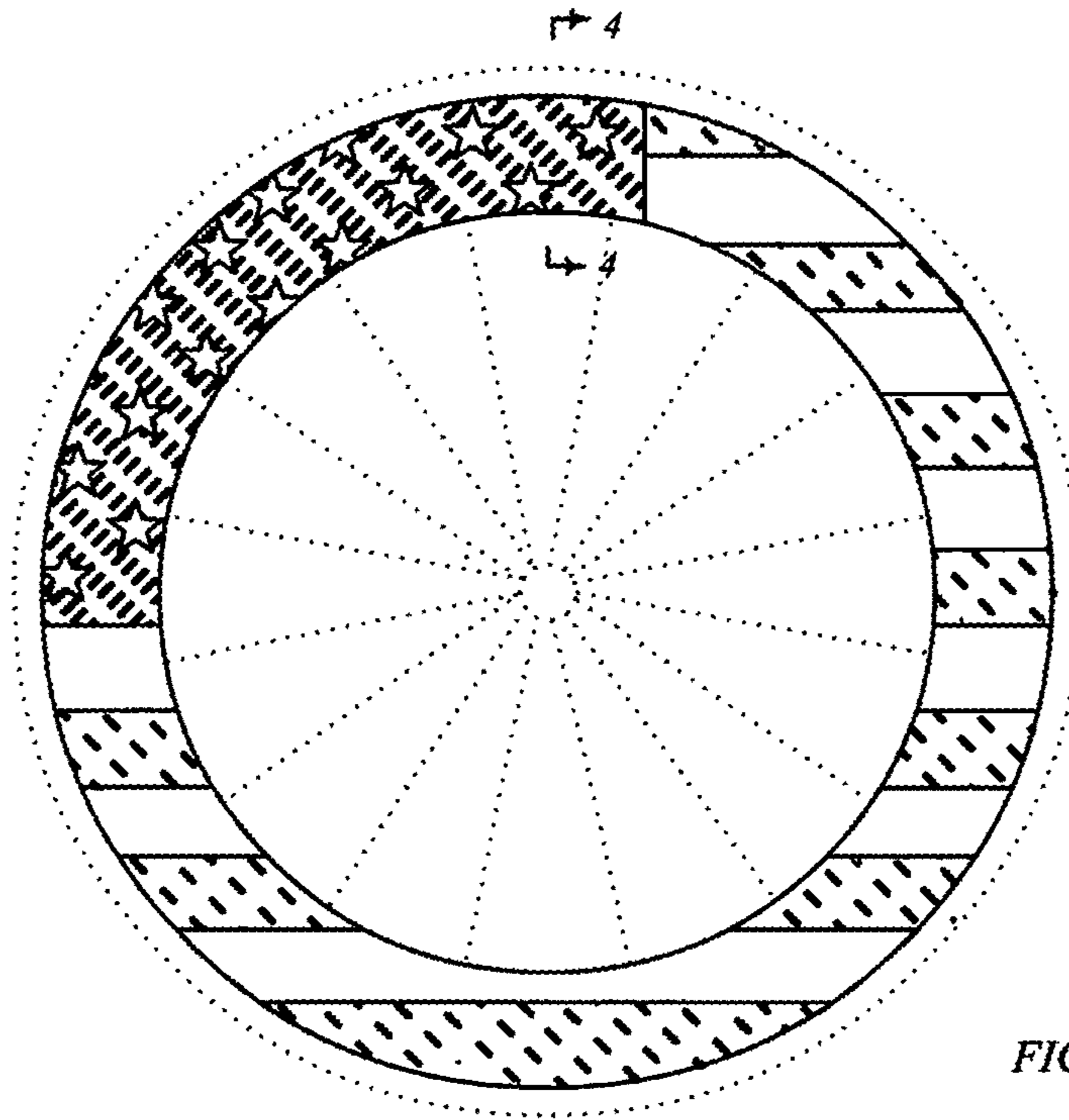


FIG. 1



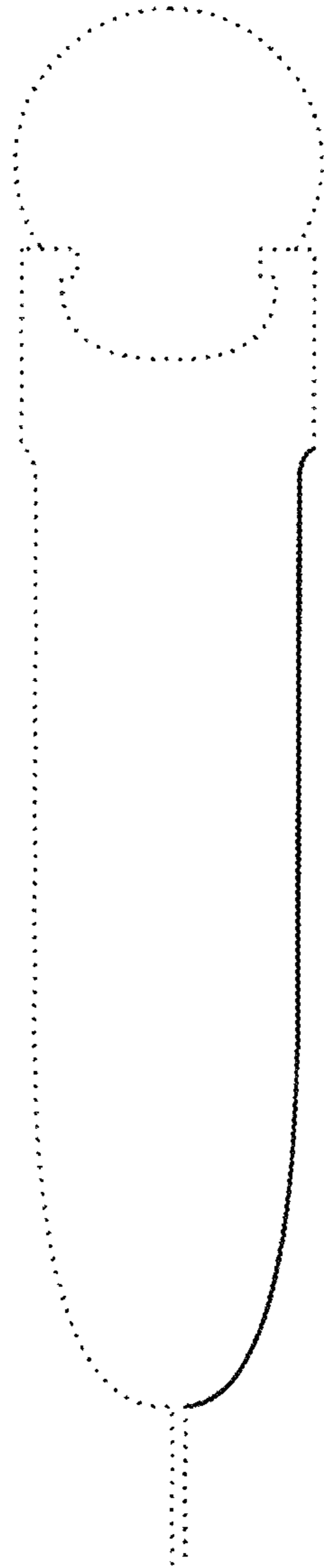


FIG 4