



US00D757622S

(12) **United States Design Patent**
Wolf

(10) **Patent No.:** **US D757,622 S**

(45) **Date of Patent:** **** May 31, 2016**

(54) **VEHICLE STEP RAIL**

(71) Applicant: **Innovative Creations, Inc.**, Peoria, AZ
(US)

(72) Inventor: **Robert A. Wolf**, Peoria, AZ (US)

(73) Assignee: **Innovative Creations, Inc.**, Peoria, AZ
(US)

(**) Term: **14 Years**

(21) Appl. No.: **29/500,438**

(22) Filed: **Aug. 25, 2014**

(51) **LOC (10) Cl.** **12-16**

(52) **U.S. Cl.**
USPC **D12/203**

(58) **Field of Classification Search**
USPC D12/89, 193, 203, 314; 182/64.1, 127;
280/5.3, 163, 164.2, 166, 169, 291;
D25/62, 63, 68, 69, 138, 152-158
CPC B60C 11/0008; B60C 11/0041; B60C 11/01;
B60C 11/12; E06C 1/005; E06C 1/02; E06C
5/00; E06C 5/02; E06C 5/04
See application file for complete search history.

(56) **References Cited**

U.S. PATENT DOCUMENTS

D292,904 S * 11/1987 Bielby D12/203
D340,905 S * 11/1993 Orth et al. D12/203
D474,435 S * 5/2003 Lund et al. D12/203
6,588,783 B2 * 7/2003 Fichter 280/169

D546,745 S * 7/2007 Storer D12/203
7,287,770 B2 * 10/2007 Drabant et al. 280/163
7,909,344 B1 * 3/2011 Bundy 280/163
D665,713 S * 8/2012 Pochurek et al. D12/203
D671,874 S * 12/2012 Kekich et al. D12/203
8,448,968 B1 * 5/2013 Grote et al. 280/163
8,641,068 B1 * 2/2014 Bundy 280/163
2012/0228848 A1 * 9/2012 Fichter 280/163
2013/0221632 A1 * 8/2013 Higgs et al. 280/169

* cited by examiner

Primary Examiner — George D Kirschbaum

Assistant Examiner — Natasha Vujcic

(74) *Attorney, Agent, or Firm* — Schmeiser, Olsen & Watts
LLP

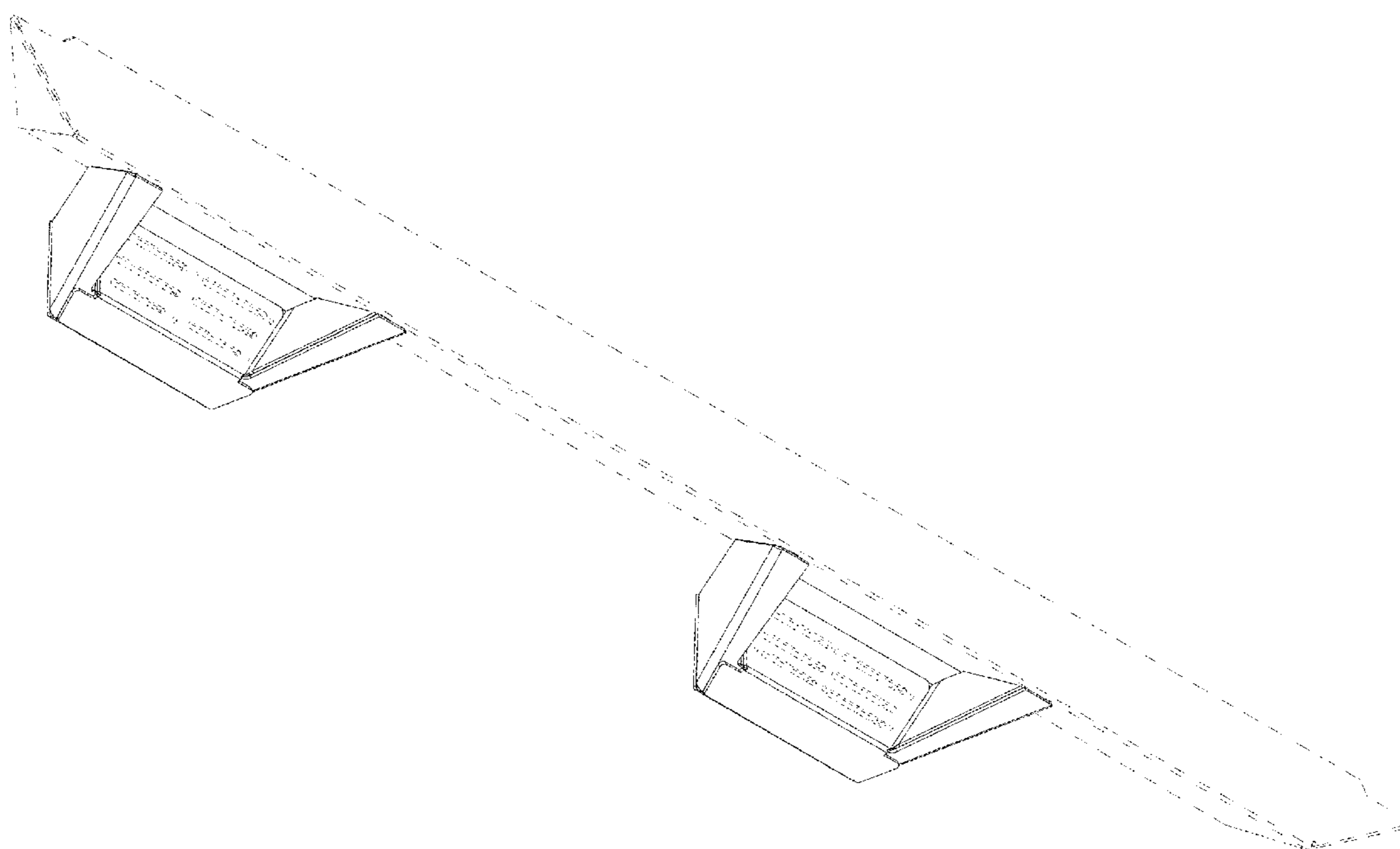
(57) **CLAIM**

The ornamental design for a vehicle step rail, as shown.

DESCRIPTION

FIG. 1 is a front perspective view of the vehicle step rail;
FIG. 2 is a rear perspective view of the vehicle step rail;
FIG. 3 is a front view of the vehicle step rail;
FIG. 4 is a rear view of the vehicle step rail;
FIG. 5 is a magnified left side view of the vehicle step rail;
FIG. 6 is a magnified right side view of the vehicle step rail;
FIG. 7 is a top view of the vehicle step rail;
FIG. 8 is a bottom view of the vehicle step rail; and,
FIG. 9 is a bottom perspective view of the vehicle step rail.
The broken lines showing brackets in the figures is for illustrative purposes only and form no part of the claimed design.

1 Claim, 6 Drawing Sheets



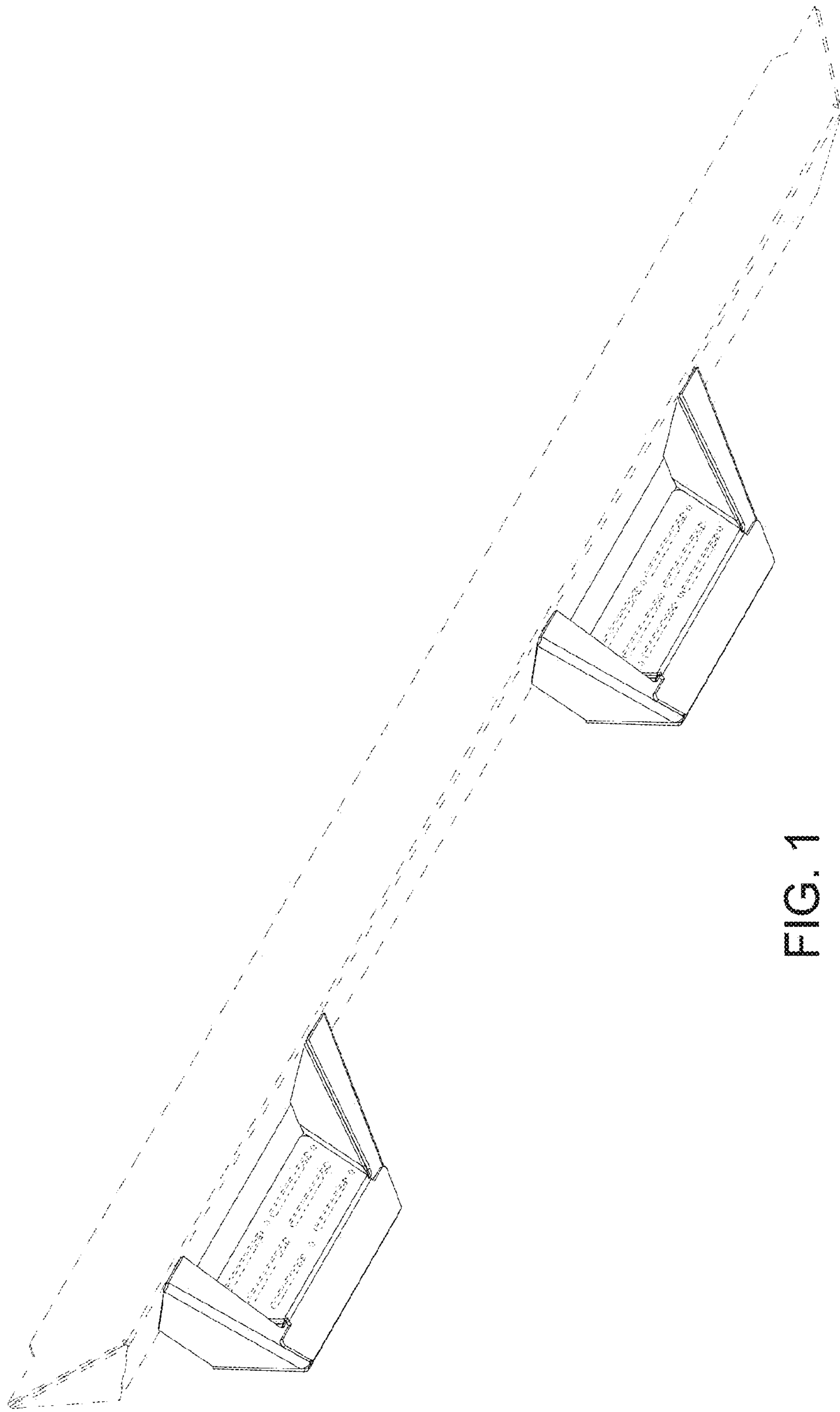


FIG. 1

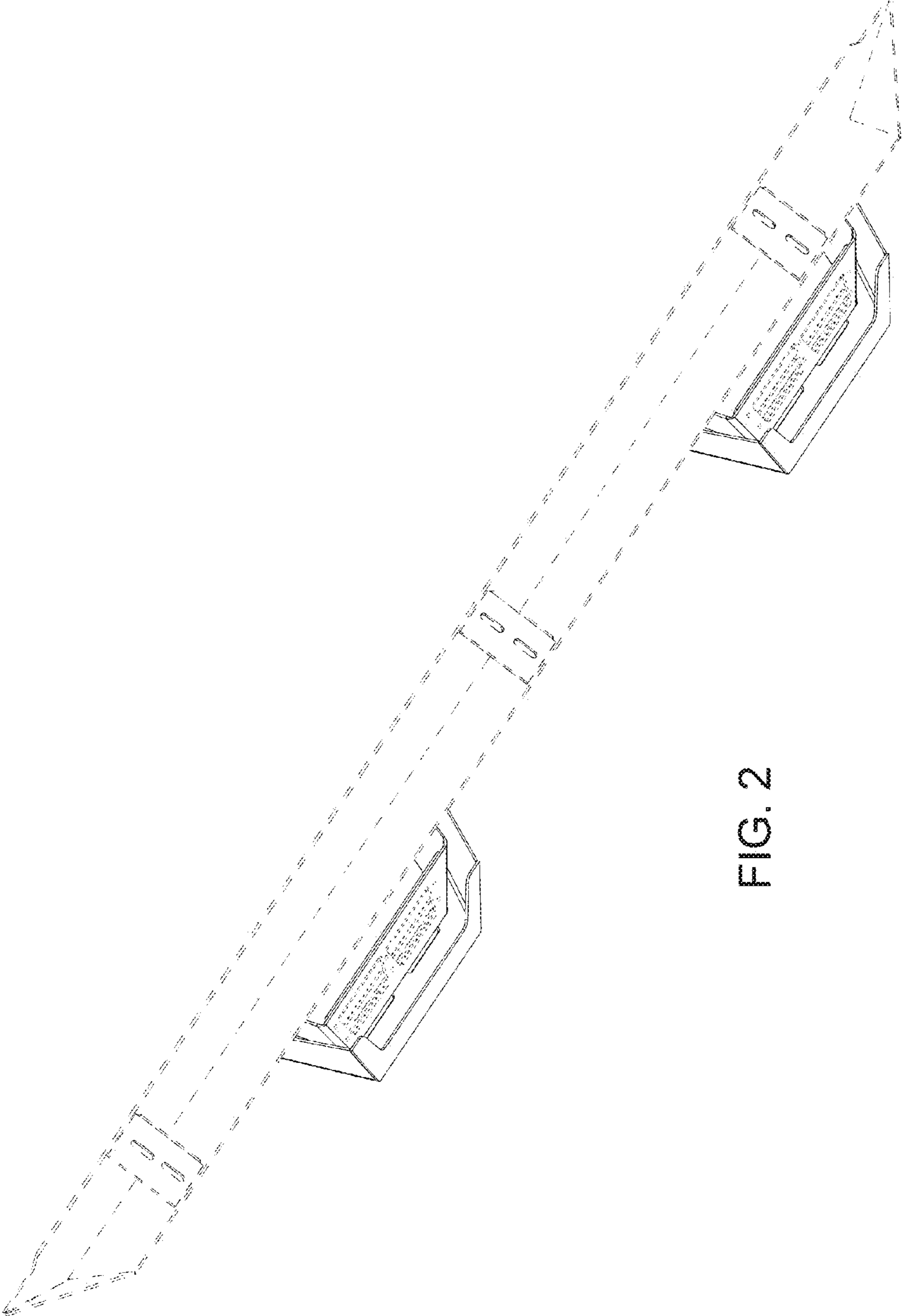


FIG. 2



FIG. 3

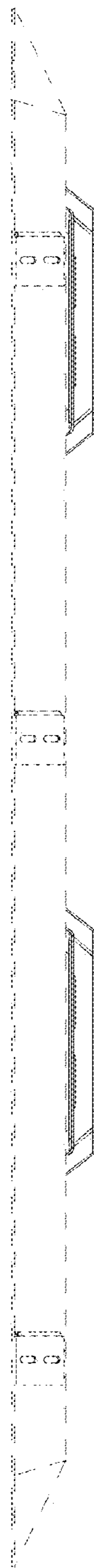


FIG. 4

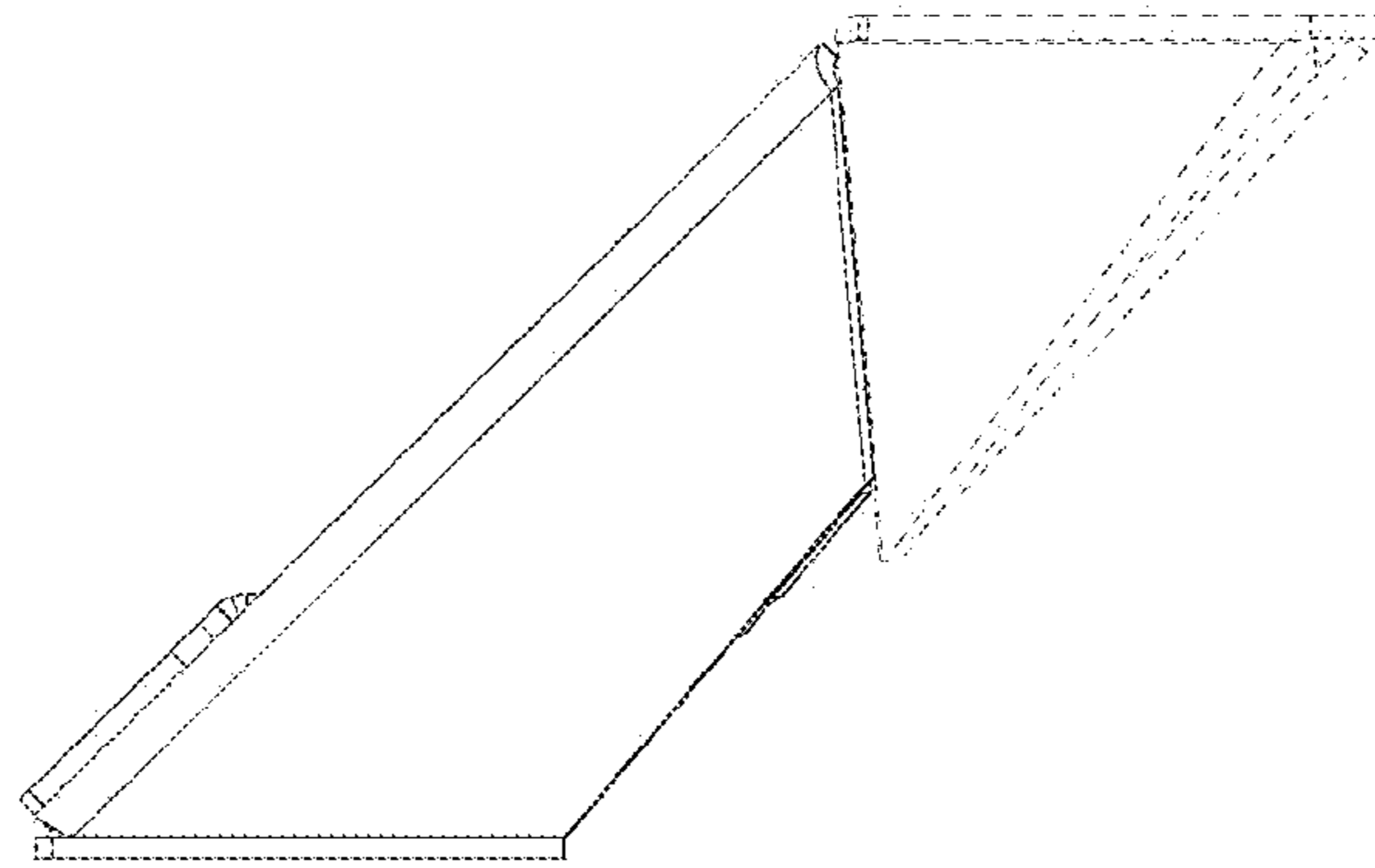


FIG. 5

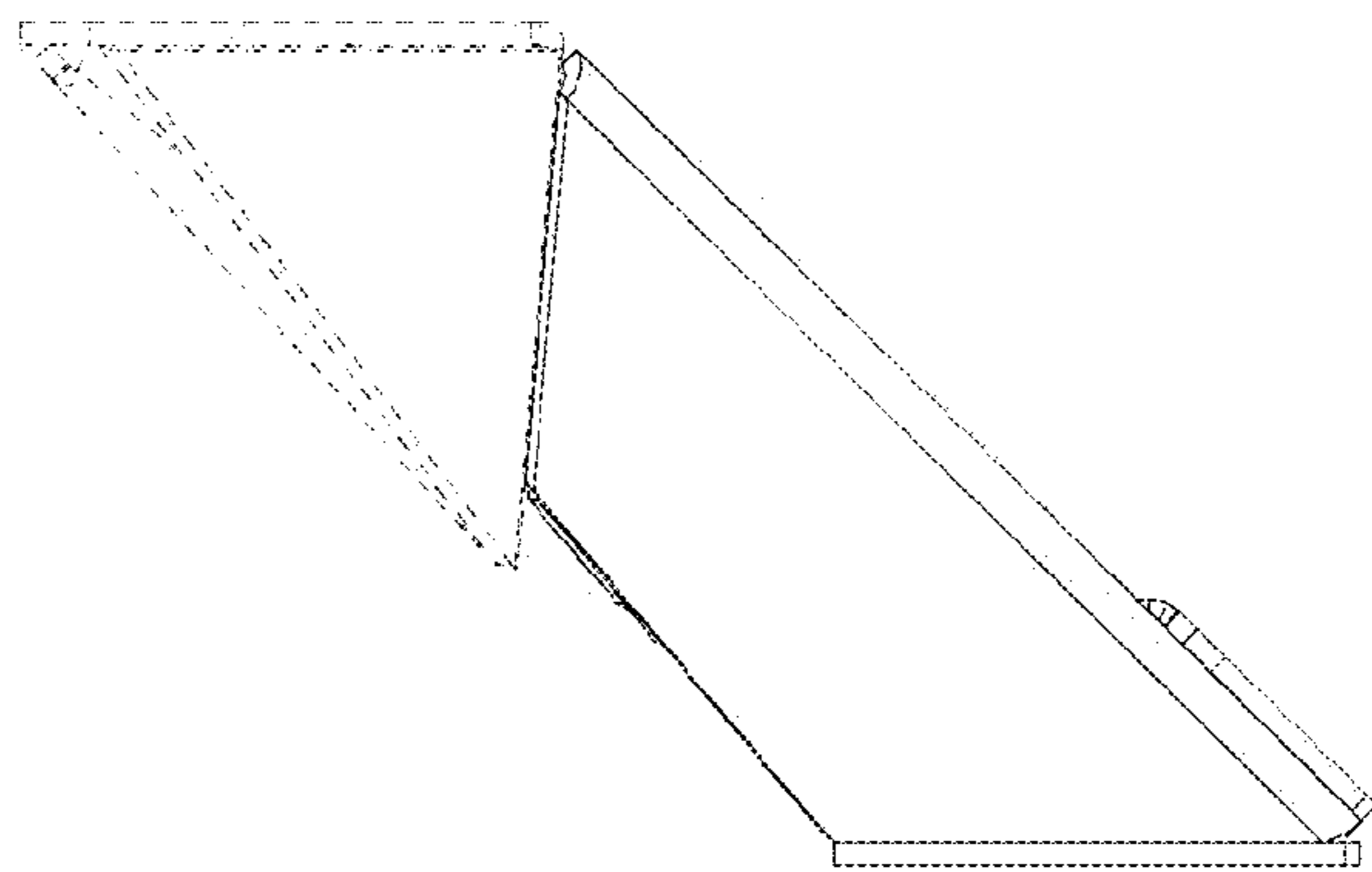


FIG. 6

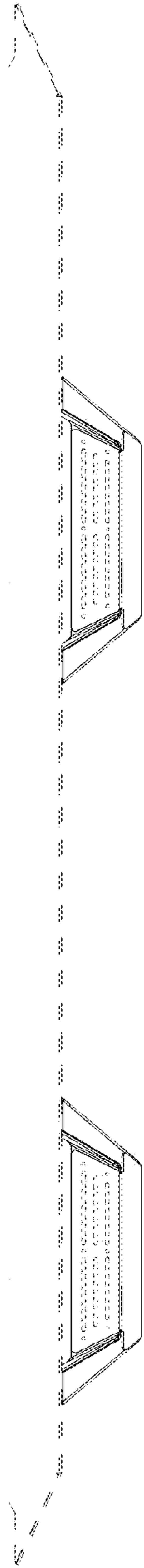


FIG. 7



FIG. 8

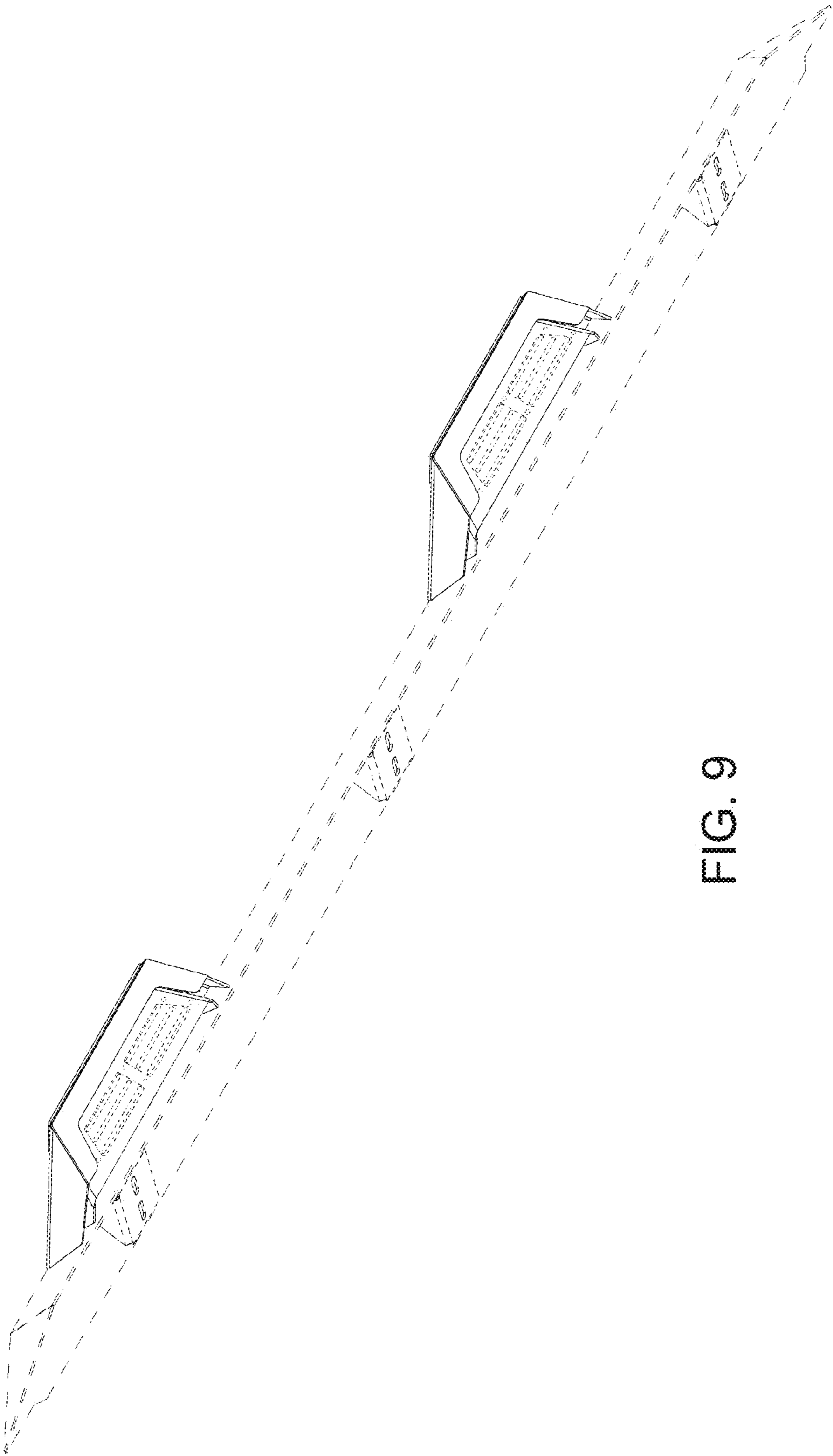


FIG. 9