



US00D757616S

(12) **United States Design Patent**
Lesnik et al.

(10) **Patent No.:** **US D757,616 S**

(45) **Date of Patent:** **** May 31, 2016**

(54) **FRONT BUMPER FOR A VEHICLE**

(71) Applicant: **Daimler AG**, Stuttgart (DE)

(72) Inventors: **Robert Lesnik**, Leonberg (DE); **Gorden Wagener**, Gaeufelden (DE)

(73) Assignee: **Daimler AG**, Stuttgart (DE)

(**) Term: **14 Years**

(21) Appl. No.: **29/524,879**

(22) Filed: **Apr. 24, 2015**

(30) **Foreign Application Priority Data**

Oct. 27, 2014 (WO) DM/084 805

(51) **LOC (10) Cl.** **12-16**

(52) **U.S. Cl.**
USPC **D12/169**

(58) **Field of Classification Search**
USPC D12/169, 216, 90–92, 86, 171, 196,
D12/163; 293/102, 113, 115, 117, 120;
296/180.1, 180.2

CPC .. B60R 19/52; B60R 2019/25; B60R 25/0845
See application file for complete search history.

(56) **References Cited**

U.S. PATENT DOCUMENTS

D586,705 S	2/2009	Bauer et al.	
D680,040 S	4/2013	Frei et al.	
D680,041 S	4/2013	Frei et al.	
D686,119 S *	7/2013	Futschik	D12/169
D688,992 S *	9/2013	Hildebrand	D12/169
D702,161 S *	4/2014	Hanaoka	D12/169
D703,117 S *	4/2014	Osborne	D12/169
D724,503 S *	3/2015	Hall	D12/169

D730,791 S *	6/2015	Hammoud	D12/169
D731,369 S *	6/2015	Duff	D12/169
D746,735 S *	1/2016	Wolff	D12/169
D749,021 S *	2/2016	Boniface	D12/169

* cited by examiner

Primary Examiner — Melody N Brown

(74) *Attorney, Agent, or Firm* — Crowell & Moring LLP

(57) **CLAIM**

The ornamental design for a front bumper for a vehicle, as shown and described.

DESCRIPTION

This application contains subject matter related to the following co-pending U.S. design patent applications:

Application Ser. No. 29/524,875, filed herewith and entitled “Vehicle, Toy, and/or Replicas Thereof”;

Application Ser. No. 29/524,876, filed herewith and entitled “Front Portion of a Vehicle, Toy, and/or Replicas Thereof”;

Application Ser. No. 29/524,878, filed herewith and entitled “Front Portion of a Vehicle, Toy, and/or Replicas Thereof”; and

Application Ser. No. 29/524,880, filed herewith and entitled “Front Bumper for a Vehicle”.

FIG. 1 is a left, front perspective view of a front bumper for a vehicle according to the design;

FIG. 2 is a front view thereof;

FIG. 3 is a top view thereof;

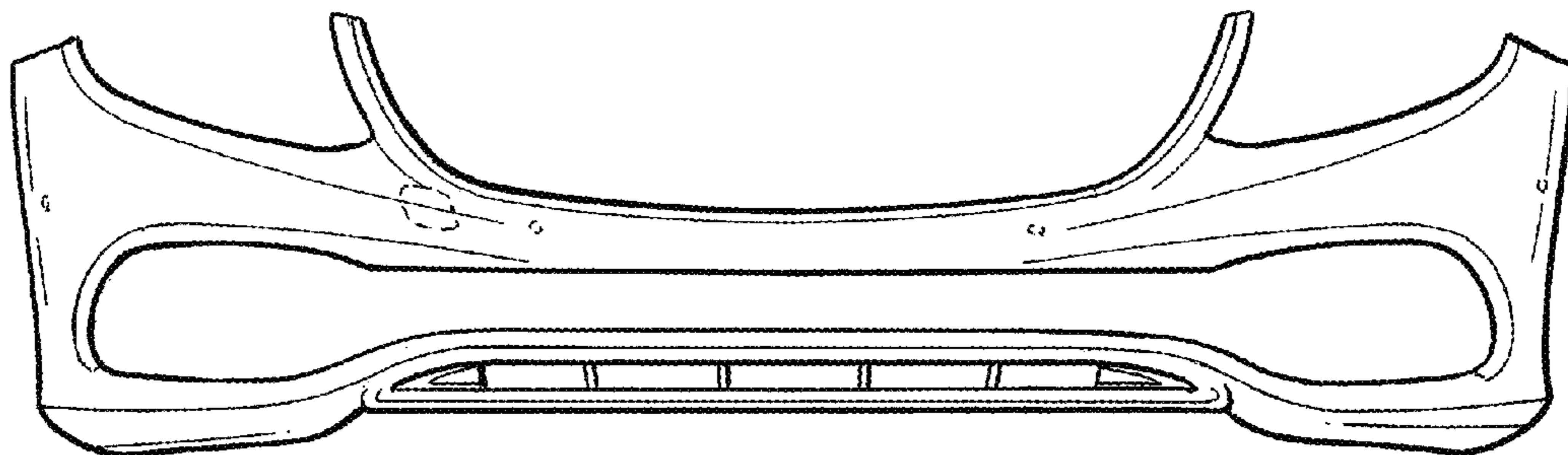
FIG. 4 is a bottom view thereof;

FIG. 5 is a left side view thereof; and,

FIG. 6 is a right side view thereof.

The broken lines are for illustrative purposes only and form no part of the claimed design.

1 Claim, 2 Drawing Sheets



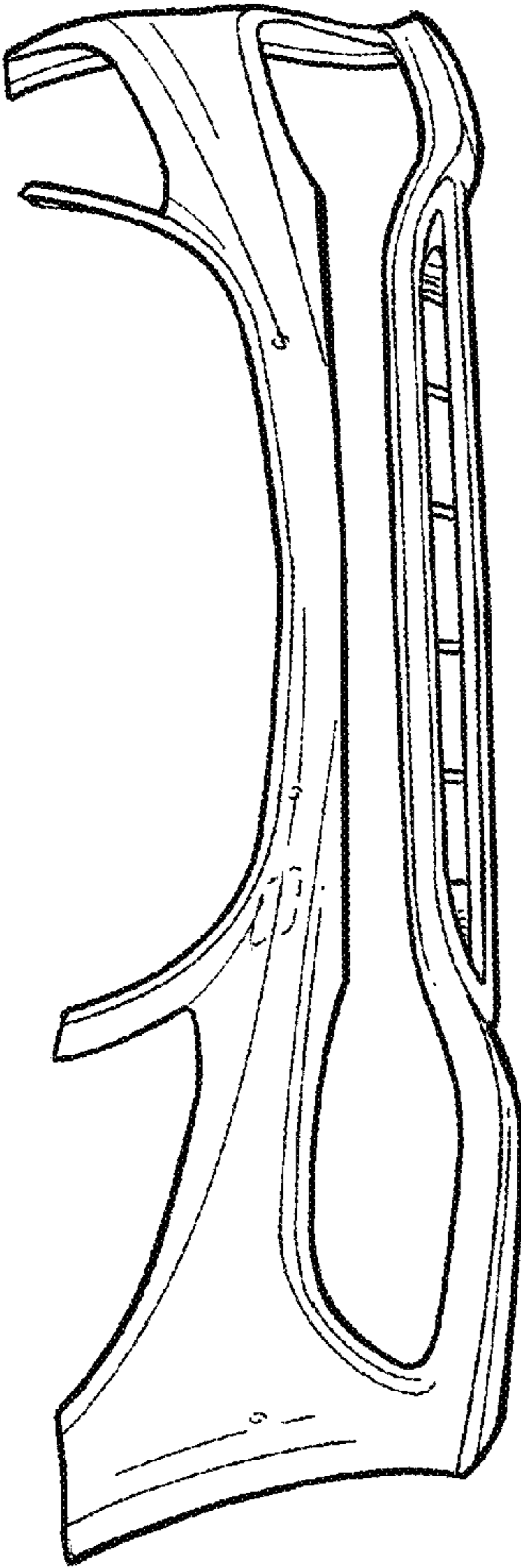


FIG. 1

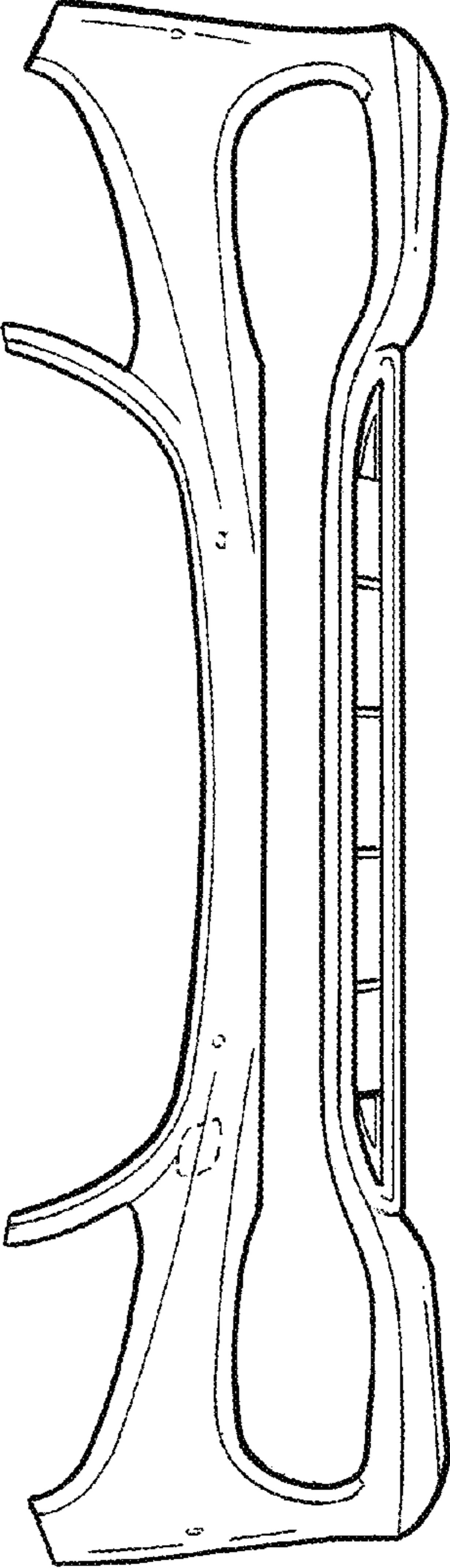


FIG. 2

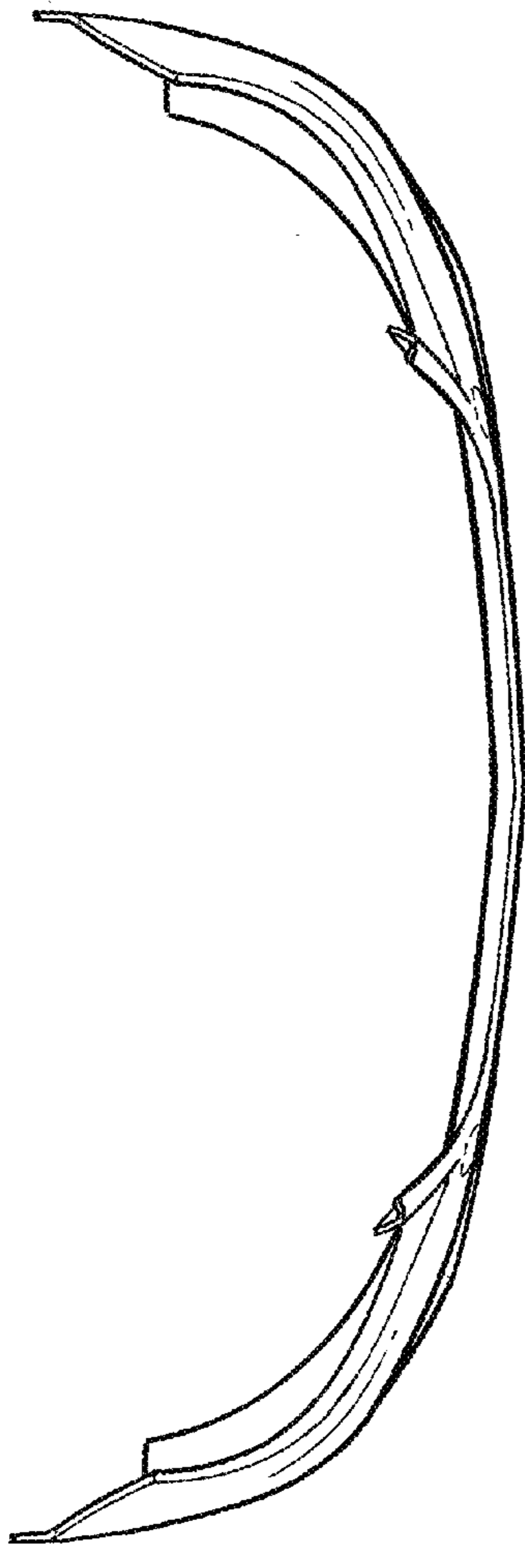


FIG. 3

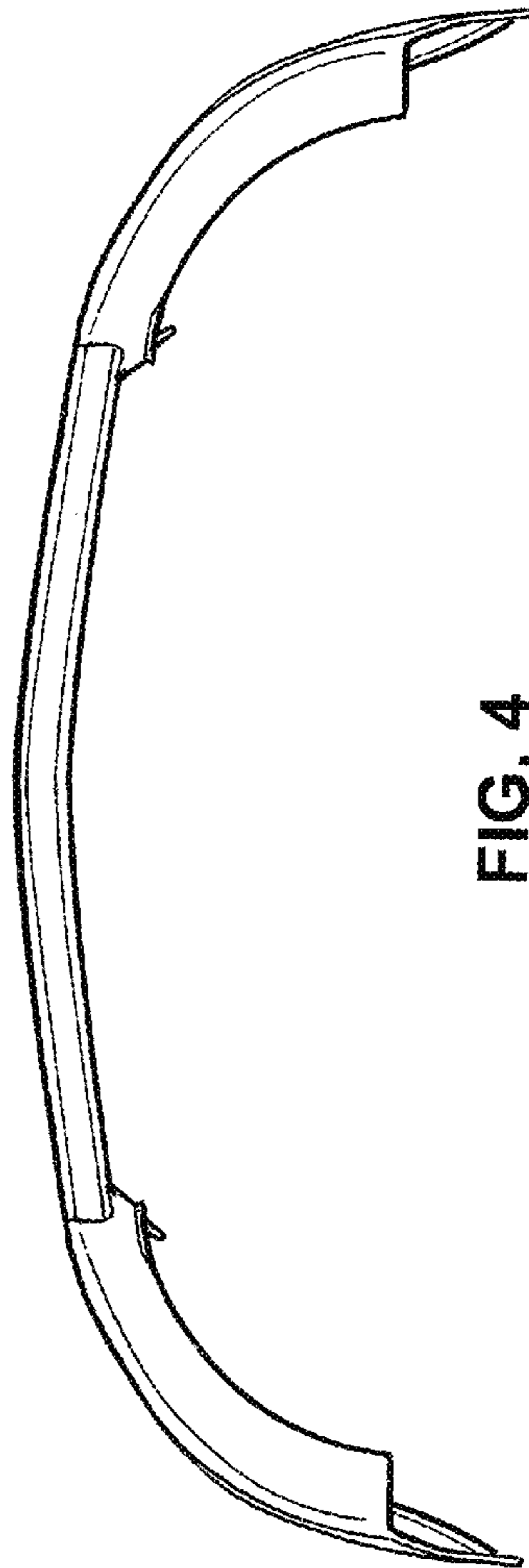


FIG. 4

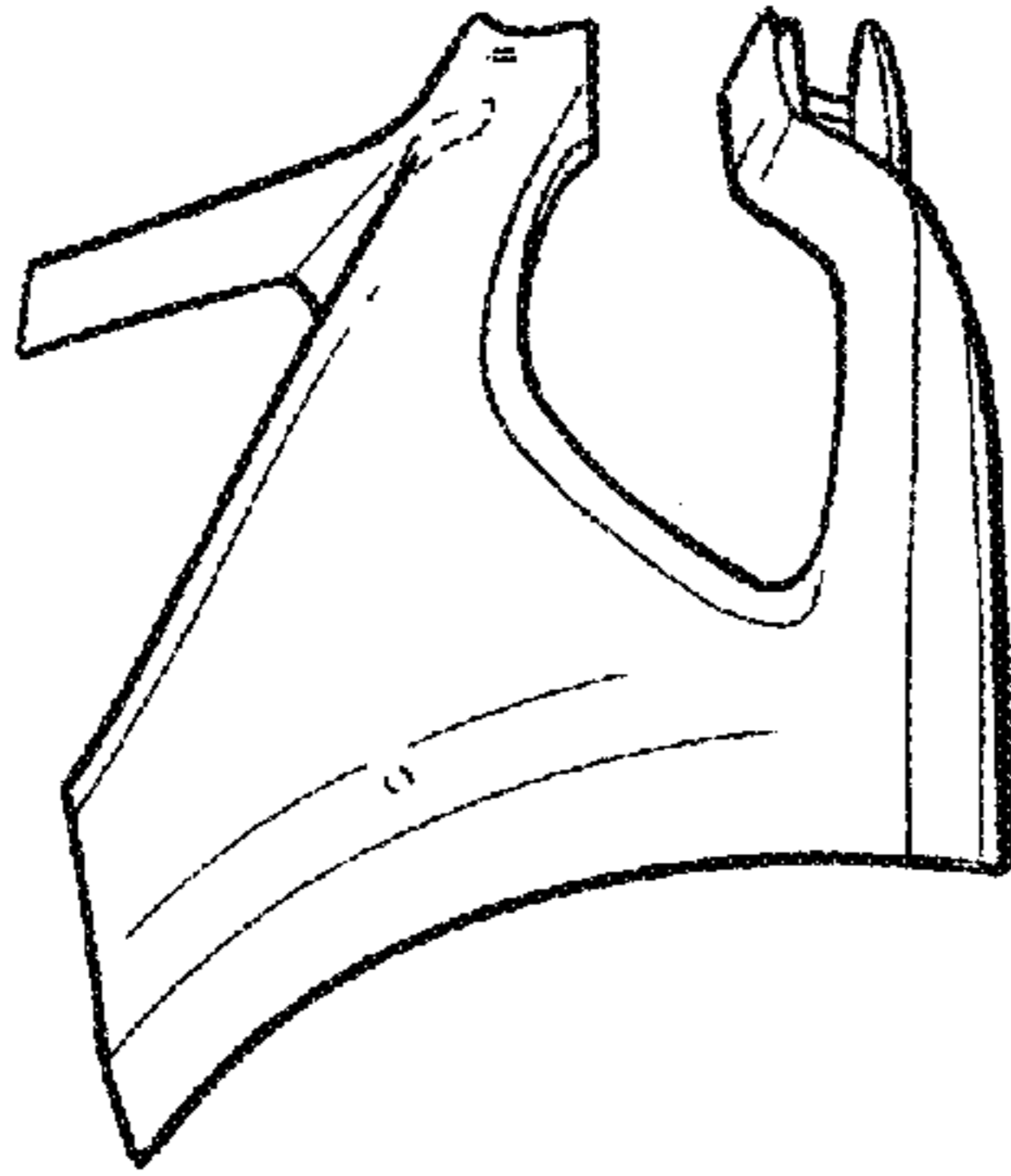


FIG. 5

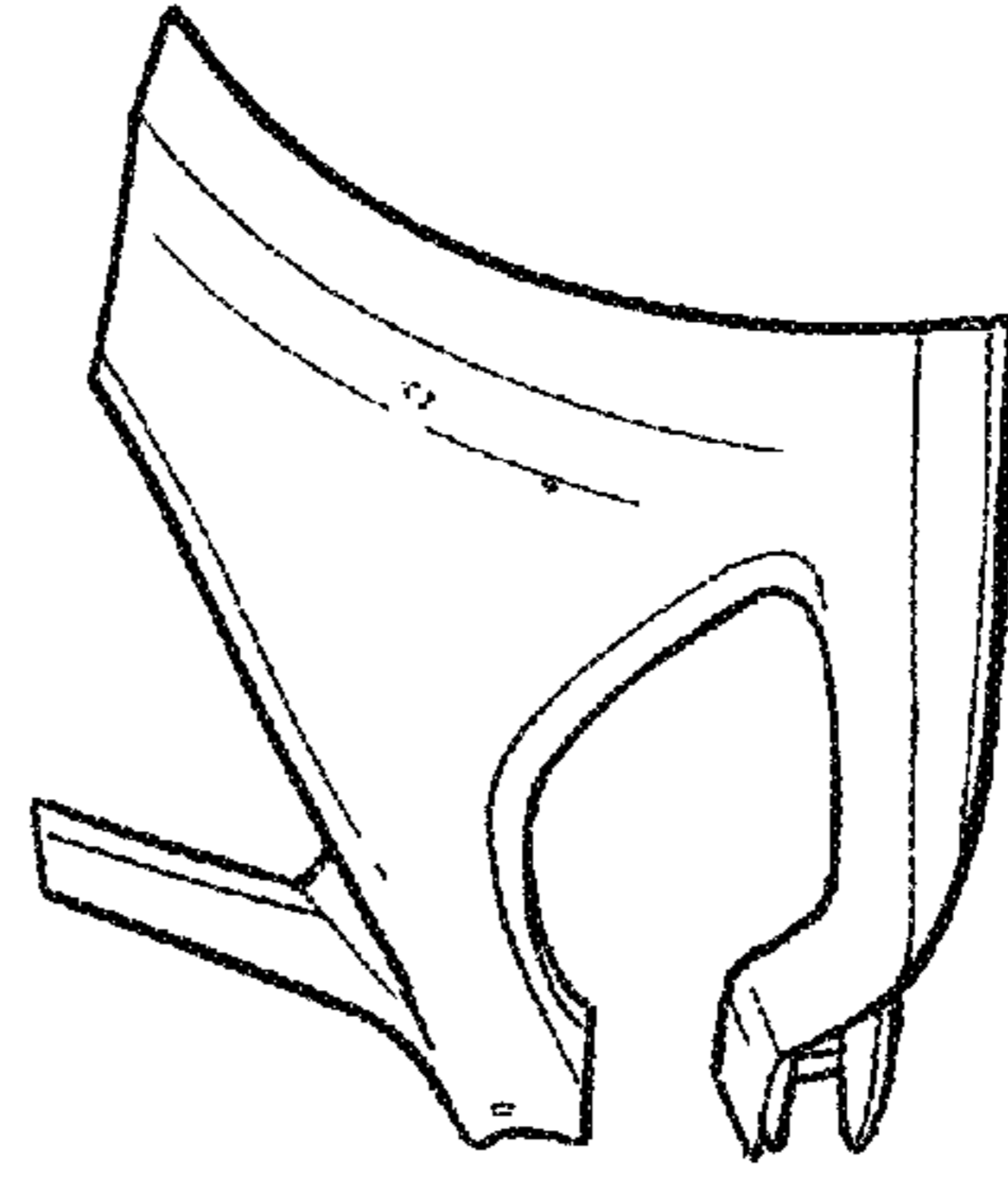


FIG. 6