



US00D757614S

(12) **United States Design Patent**
Reaux

(10) **Patent No.:** **US D757,614 S**
(45) **Date of Patent:** **** May 31, 2016**

(54) **TRANSPORT WHEELCHAIR SINGLE USE DISPOSABLE COVER**

D685,988 S * 7/2013 Shepherd D3/216
8,517,462 B2 * 8/2013 Birch A01M 31/02
297/129
D716,192 S * 10/2014 Mondotte D12/133
9,004,592 B2 * 4/2015 Boston A61G 5/02
297/225

(71) Applicant: **Brian K. Reaux**, Red Oak, TX (US)

(72) Inventor: **Brian K. Reaux**, Red Oak, TX (US)

(73) Assignee: **Brian K. Reaux**, Red Oak, TX (US)

(**) Term: **14 Years**

* cited by examiner

Primary Examiner — Susan Bennett Hattan

Assistant Examiner — Charles Hanson

(21) Appl. No.: **29/474,409**

(57) **CLAIM**

The ornamental design for a transport wheelchair single use disposable cover, as shown and described.

(22) Filed: **Sep. 13, 2014**

DESCRIPTION

(51) **LOC (10) Cl.** **12-12**

(52) **U.S. Cl.**
USPC **D12/133**

FIG. 1 is a perspective view of a disposable single use cover in place, having the arm rest cover in the second position; showing my new design in use.

(58) **Field of Classification Search**
USPC D12/131, 133; D6/611
CPC A61G 5/00–5/14
See application file for complete search history.

FIG. 2 is a flat view thereof; with the arm rest covers still having the perforations in place, and in the first position, and the leg covers.

(56) **References Cited**

U.S. PATENT DOCUMENTS

- 4,932,077 A * 6/1990 Dobbs A61G 5/10
2/47
- 5,121,938 A * 6/1992 Gross A47C 31/11
280/304.1
- D396,984 S * 8/1998 Harvey D6/611
- D430,079 S * 8/2000 Catron-Batts D12/133
- 6,315,306 B1 11/2001 Fernie et al.
- 6,866,337 B1 * 3/2005 Lash A47C 31/11
297/188.2
- 7,581,259 B2 * 9/2009 Thompson A47G 9/066
2/69.5
- D626,462 S * 11/2010 Stopyra D12/133
- 8,020,931 B2 * 9/2011 Frady A01M 31/02
297/219.2
- D671,867 S * 12/2012 Mondotte D12/133

FIG. 3 is a front view thereof;

FIG. 4 is a back view thereof;

FIG. 5 is a left side view thereof;

FIG. 6 is a right side view thereof;

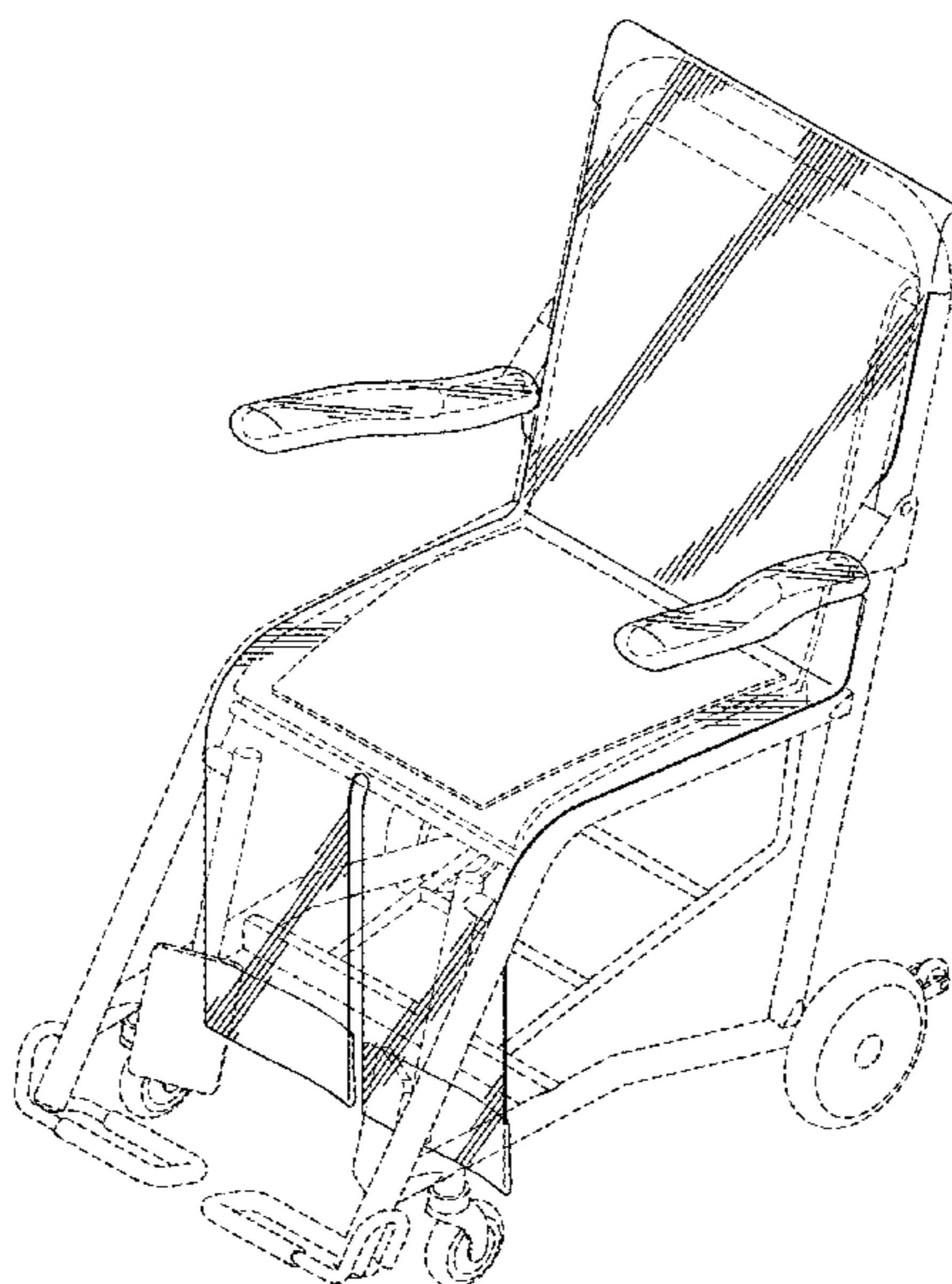
FIG. 7 is a top view thereof;

FIG. 8 is a bottom view thereof;

FIG. 9 is another perspective view thereof; with the disposable cover in place with the right leg support cover in place, the left leg cover support would be a mirror image. Also having the arm rest covers in the second position; and, FIG. 10 is an exploded view thereof; with the transport wheelchair having the right and left arm rest in the first position upwardly, and the disposable single use cover in place.

The broken lines shown of the whole transport wheelchair and the seat of the cover is included for the purpose of illustrating environment and form no part of the claimed design.

1 Claim, 8 Drawing Sheets



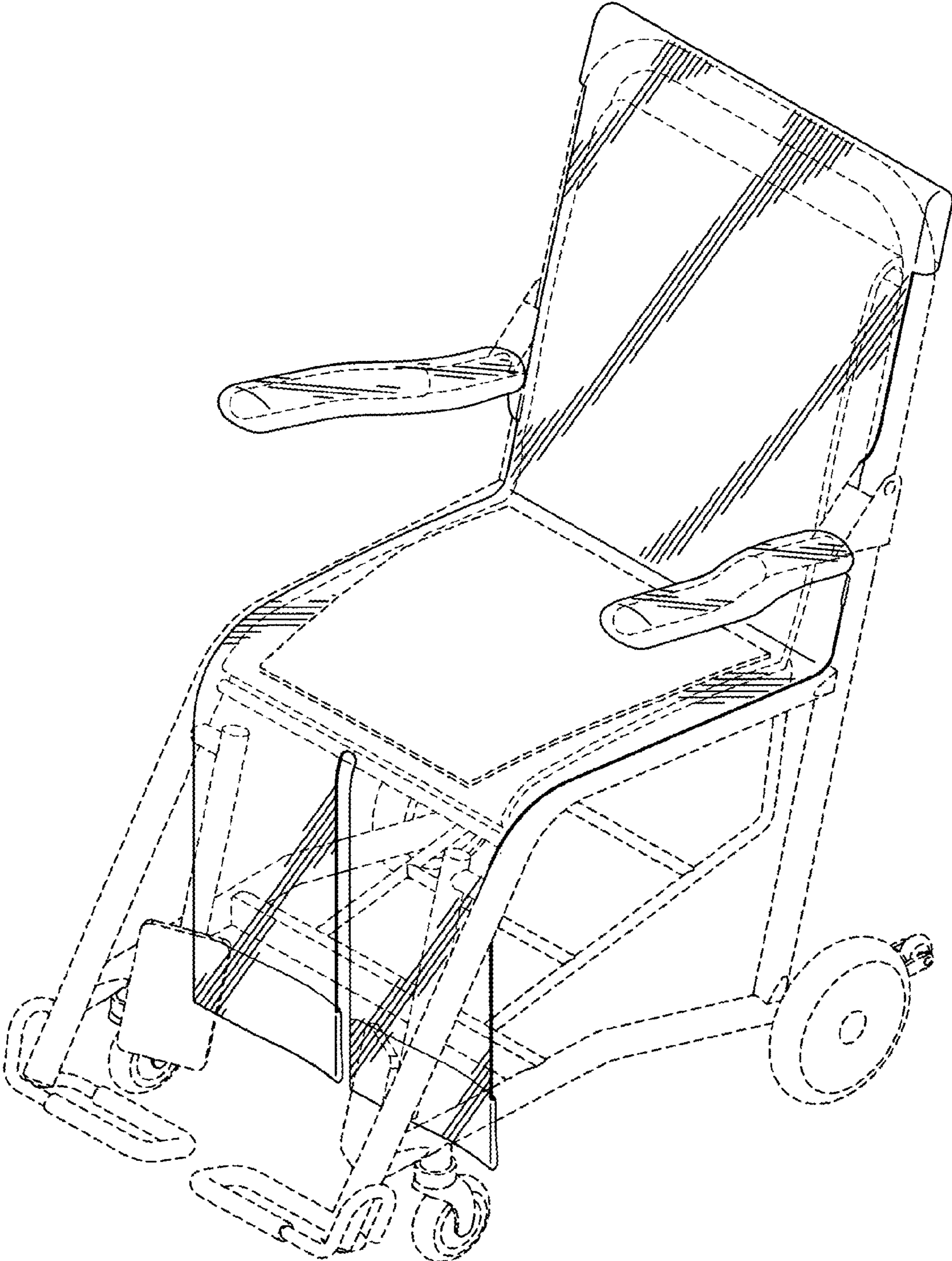


FIG. 1

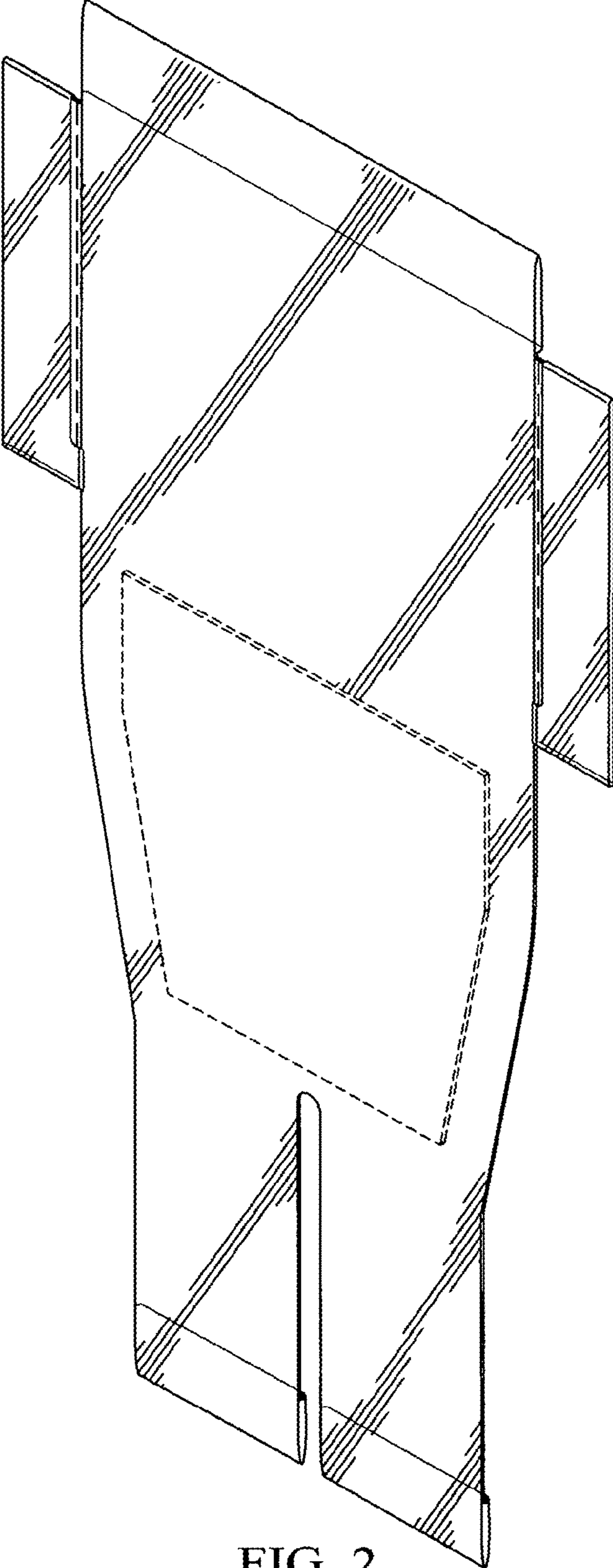


FIG. 2

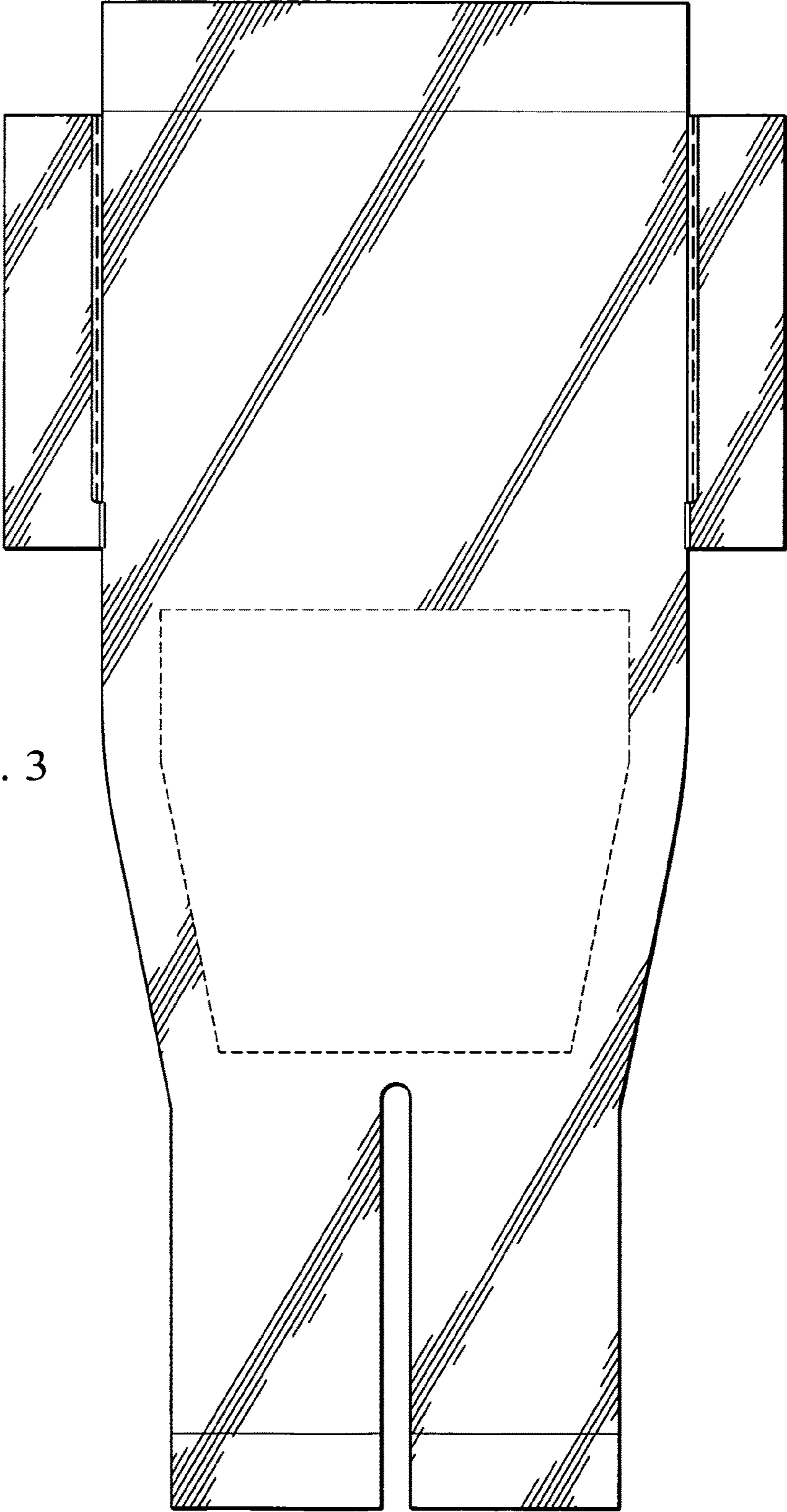


FIG. 3

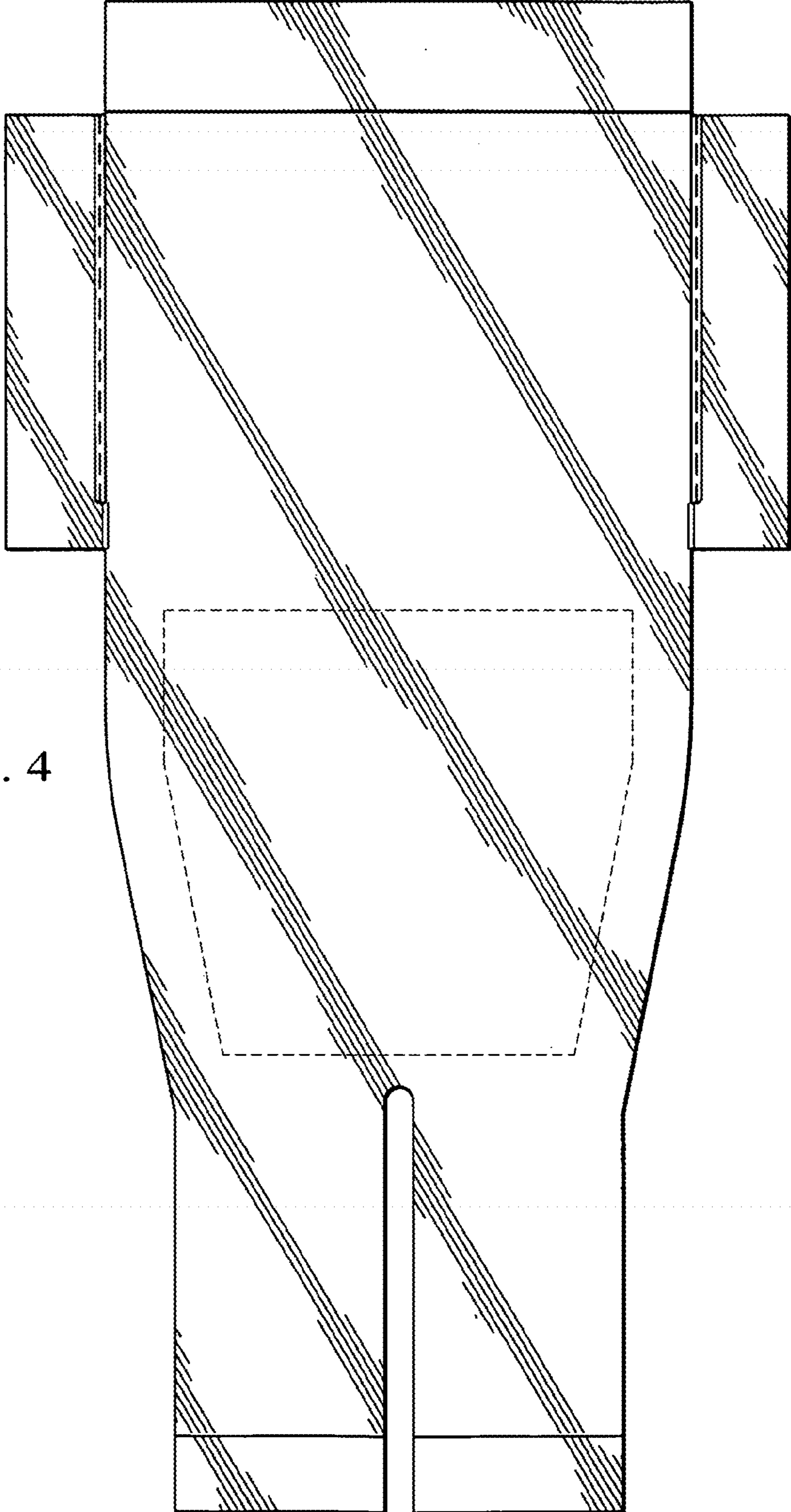


FIG. 4



FIG. 5



FIG. 6

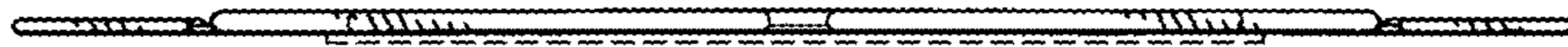


FIG. 7



FIG. 8

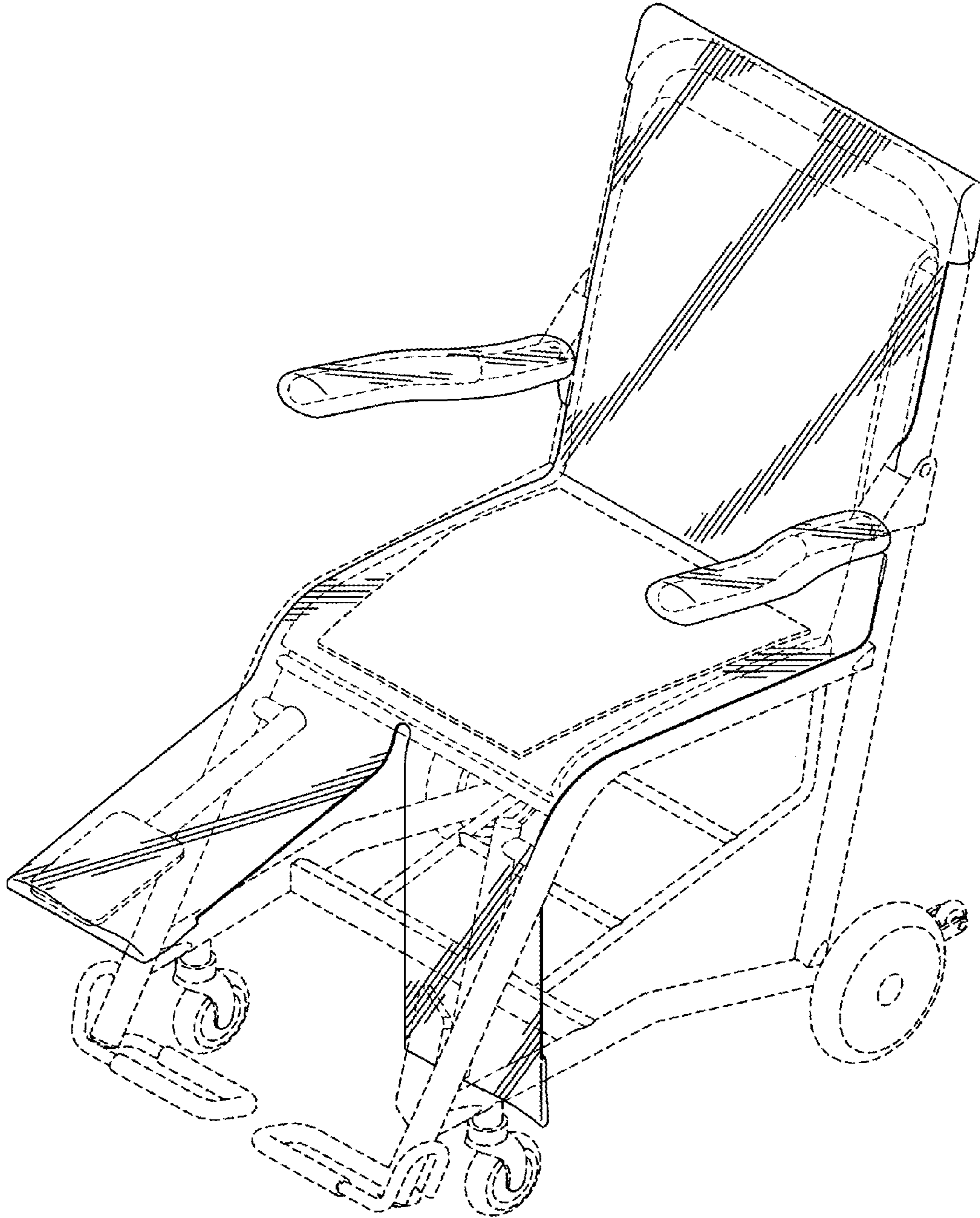


FIG. 9

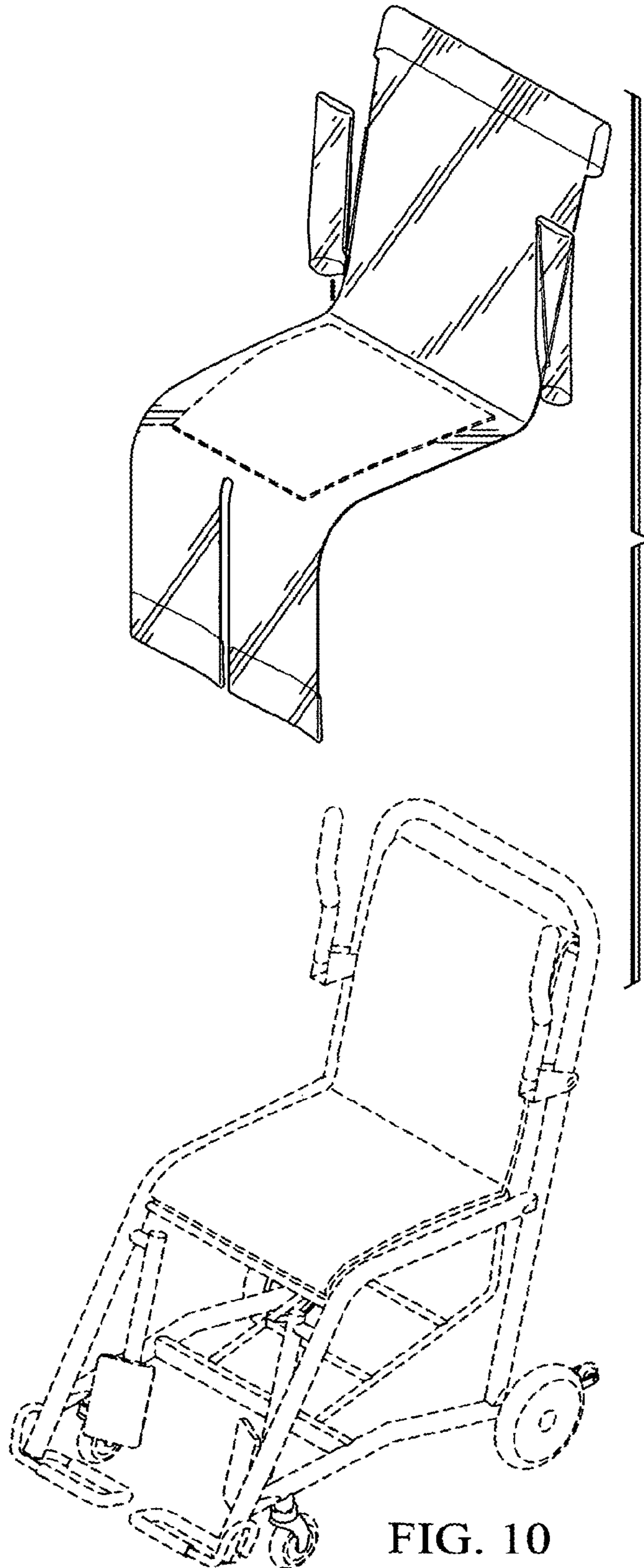


FIG. 10