



US00D757611S

(12) **United States Design Patent**
Lesnik et al.

(10) **Patent No.:** **US D757,611 S**
(45) **Date of Patent:** **** May 31, 2016**

(54) **VEHICLE, TOY, AND/OR REPLICAS THEREOF**

(71) Applicant: **Daimler AG**, Stuttgart (DE)

(72) Inventors: **Robert Lesnik**, Leonberg (DE); **Gorden Wagener**, Gaeufelden (DE)

(73) Assignee: **Daimler AG**, Stuttgart (DE)

(**) Term: **14 Years**

(21) Appl. No.: **29/524,875**

(22) Filed: **Apr. 24, 2015**

(30) **Foreign Application Priority Data**

Oct. 27, 2014 (WO) DM/084842

(51) **LOC (10) CL.** **12-08**

(52) **U.S. CL.**
USPC **D12/92**

(58) **Field of Classification Search**
USPC D12/86, 90-92, 164; D21/421, 433,
D21/434; 296/181.1, 181.5
CPC B62D 35/00; B62D 25/00; B62D 25/06;
B62D 25/08; B62D 33/00
See application file for complete search history.

(56) **References Cited**

U.S. PATENT DOCUMENTS

D580,826 S * 11/2008 Rhoades D12/92
D590,305 S 4/2009 Pfeiffer et al.
D595,622 S 7/2009 Pfeiffer et al.
D596,079 S 7/2009 Pfeiffer et al.
D664,078 S * 7/2012 Futschik D12/164
D679,222 S 4/2013 Frei et al.
D689,415 S 9/2013 Frei et al.
D689,416 S 9/2013 Frei et al.
D701,798 S * 4/2014 Futschik D12/164

(Continued)

Primary Examiner — Melody N Brown

(74) *Attorney, Agent, or Firm* — Crowell & Moring LLP

(57) **CLAIM**

The ornamental design for a vehicle, toy, and/or replicas thereof, as shown and described.

DESCRIPTION

This application contains subject matter related to the following co-pending U.S. design patent applications:

Application Ser. No. 29/542,833, filed Oct. 19, 2015 and entitled “Taillight for a Vehicle”;

Application Ser. No. 29/524,876, filed herewith and entitled “Front Portion of a Vehicle, Toy, and/or Replicas Thereof”;

Application Ser. No. 29/524,877, filed herewith and entitled “Rear Portion of a Vehicle, Toy, and/or Replicas Thereof”;

Application Ser. No. 29/524,878, filed herewith and entitled “Front Portion of a Vehicle, Toy, and/or Replicas Thereof”;

Application Ser. No. 29/524,879, filed herewith and entitled “Front Bumper for a Vehicle”;

Application Ser. No. 29/524,880, filed herewith and entitled “Front Bumper for a Vehicle”;

Application Ser. No. 29/524,881, filed herewith and entitled “Rear Bumper for a Vehicle”;

Application Ser. No. 29/524,882, filed herewith and entitled “Radiator Grill for a Vehicle”;

Application Ser. No. 29/524,883, filed herewith and entitled “Radiator Grill for a Vehicle”;

Application Ser. No. 29/524,884, filed herewith and entitled “Rear Portion of a Vehicle, Toy, and/or Replicas Thereof”; and

Application Ser. No. 29/524,885, filed herewith and entitled “Vehicle, Toy, and/or Replicas Thereof”.

FIG. 1 is a left, front perspective view of a vehicle, toy, and/or replicas thereof according to the design;

FIG. 2 is a left, rear perspective view thereof;

FIG. 3 is a left side view thereof;

FIG. 4 is a right side view thereof;

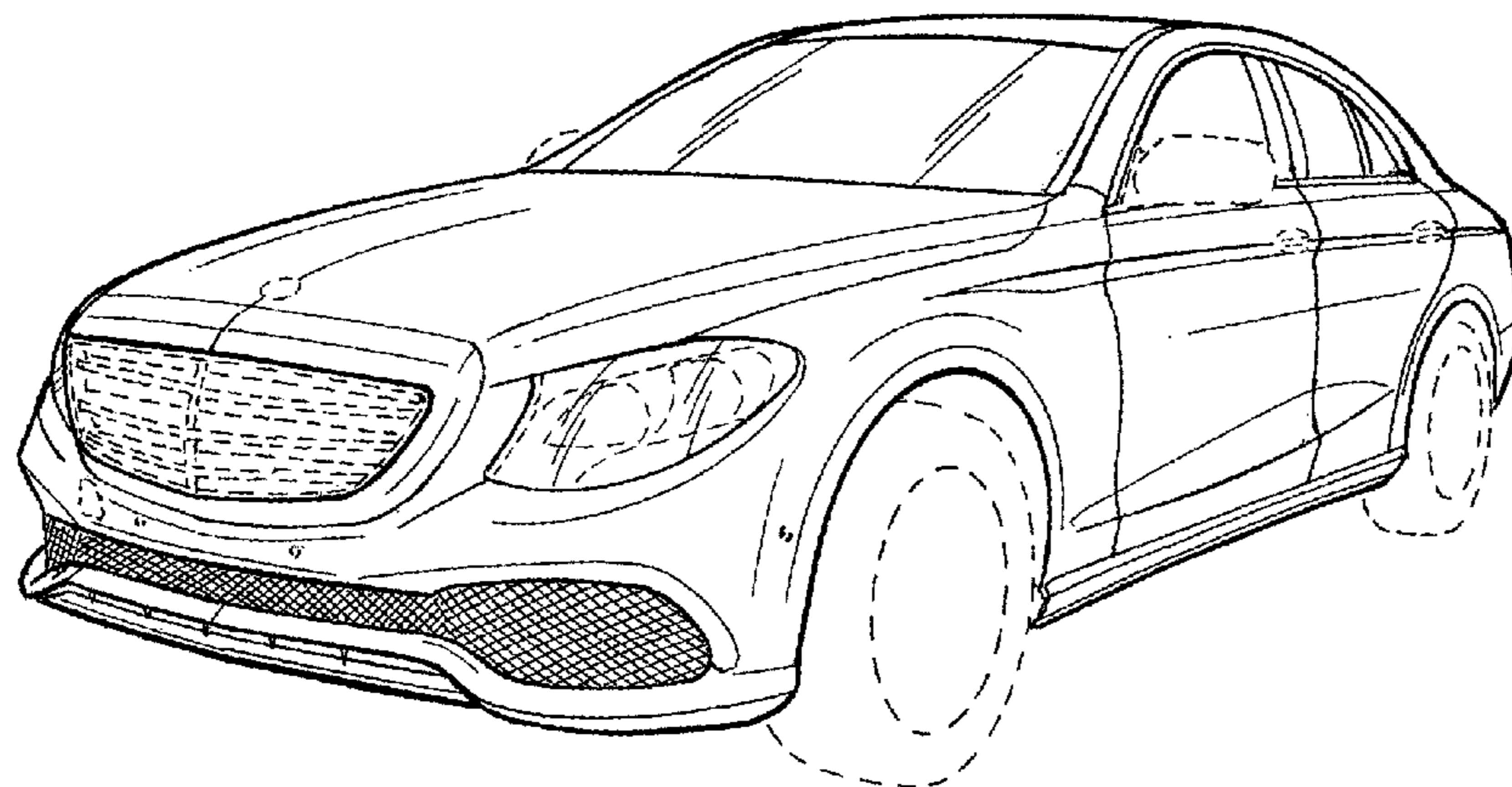
FIG. 5 is a front view thereof;

FIG. 6 is a rear view thereof; and,

FIG. 7 is a top view thereof.

The broken lines are for illustrative purposes only and form no part of the claimed design.

1 Claim, 6 Drawing Sheets



US D757,611 S

Page 2

(56)

References Cited

U.S. PATENT DOCUMENTS

D716,198 S *	10/2014	Futschik	D12/164	
D744,383 S *	12/2015	Futschik	D12/164	
D747,671 S *	1/2016	Frei	D12/164	
D703,584 S *	4/2014	Futschik	D12/92	
D711,790 S *	8/2014	Futschik	D12/164	* cited by examiner

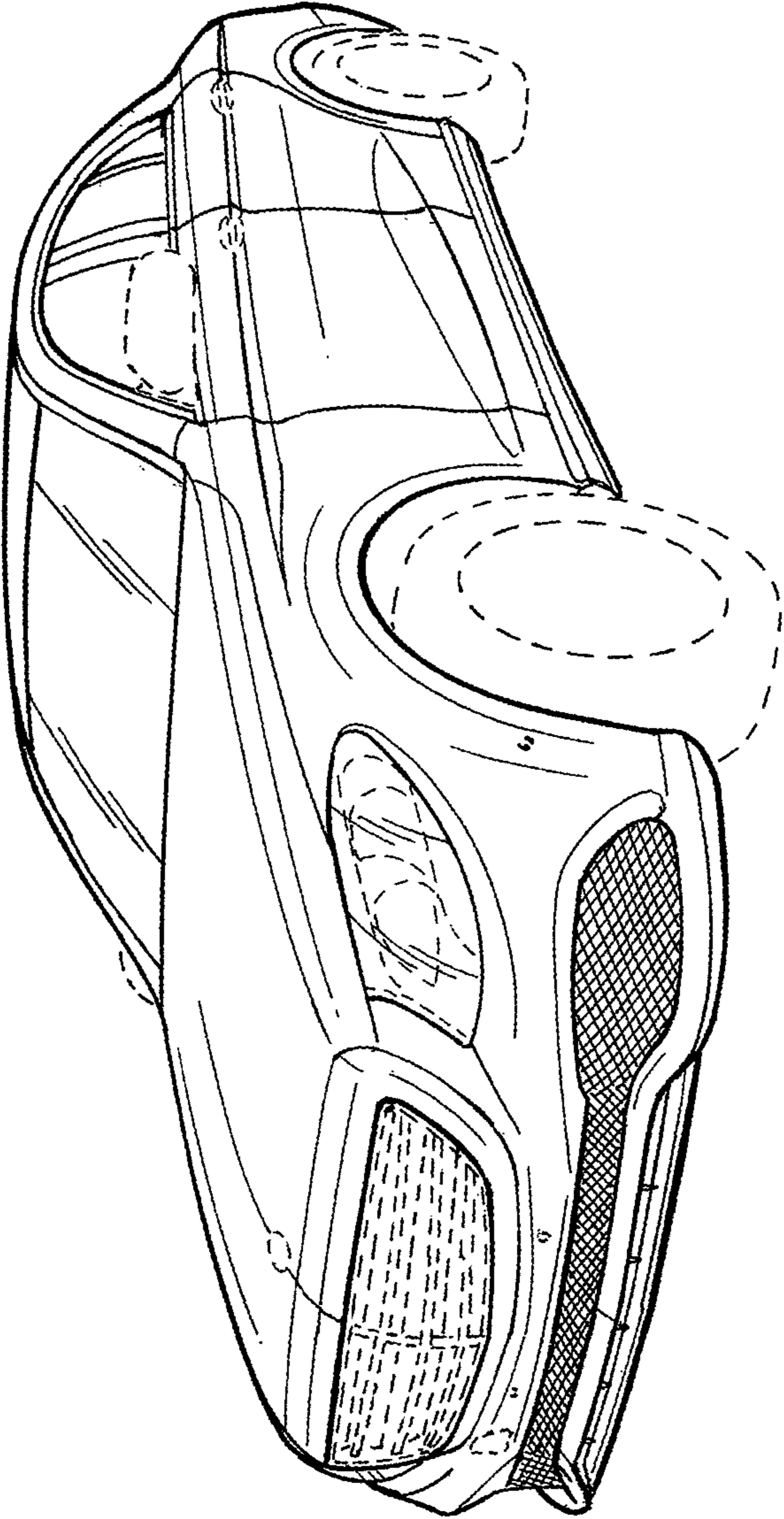


FIG. 1

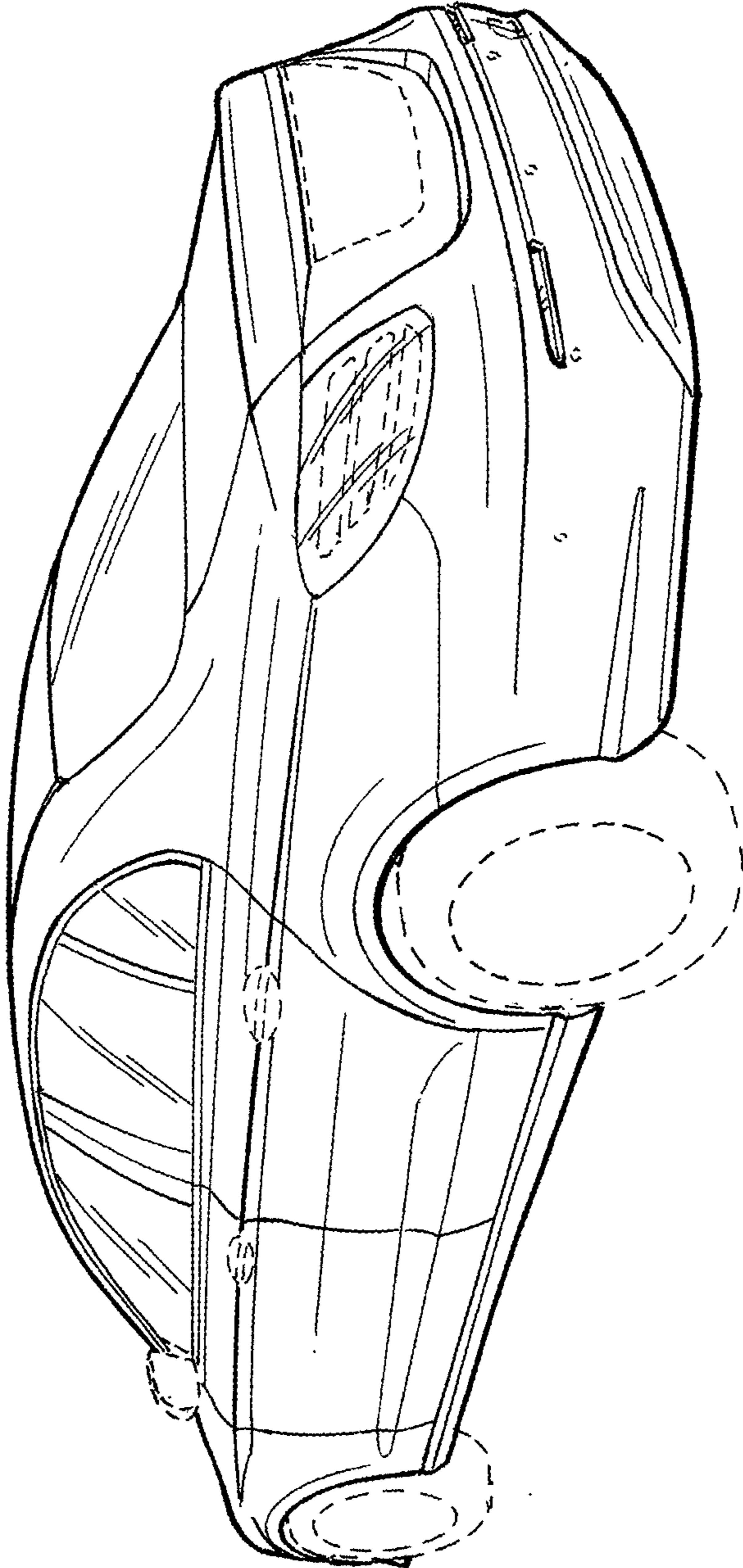


FIG. 2

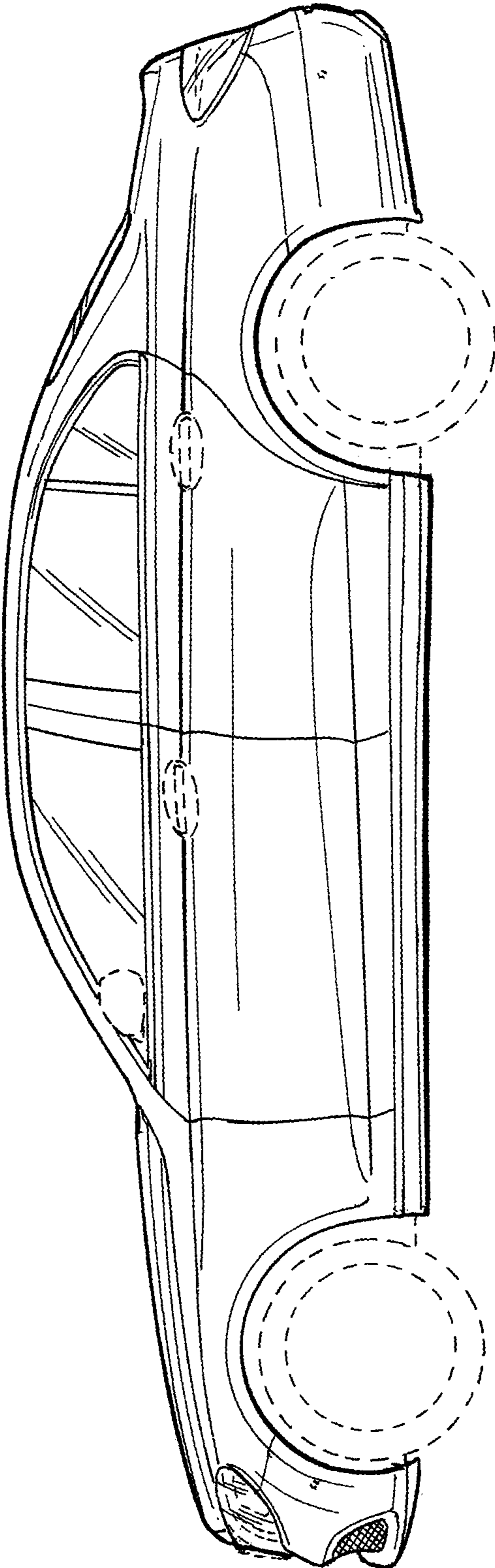


FIG. 3

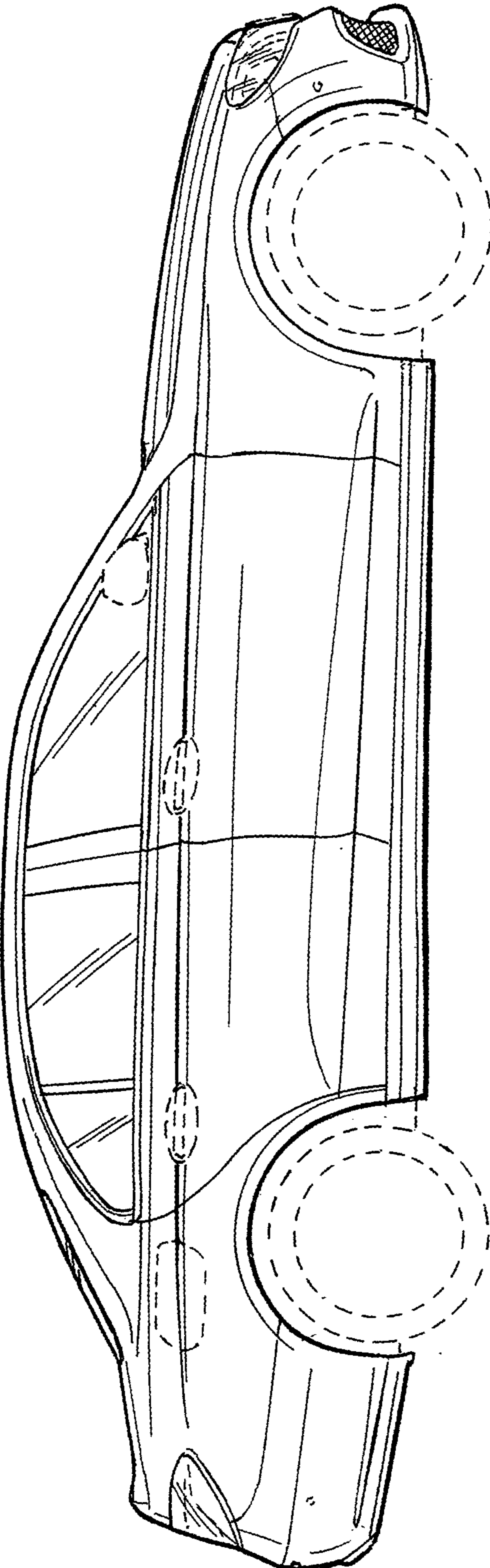


FIG. 4

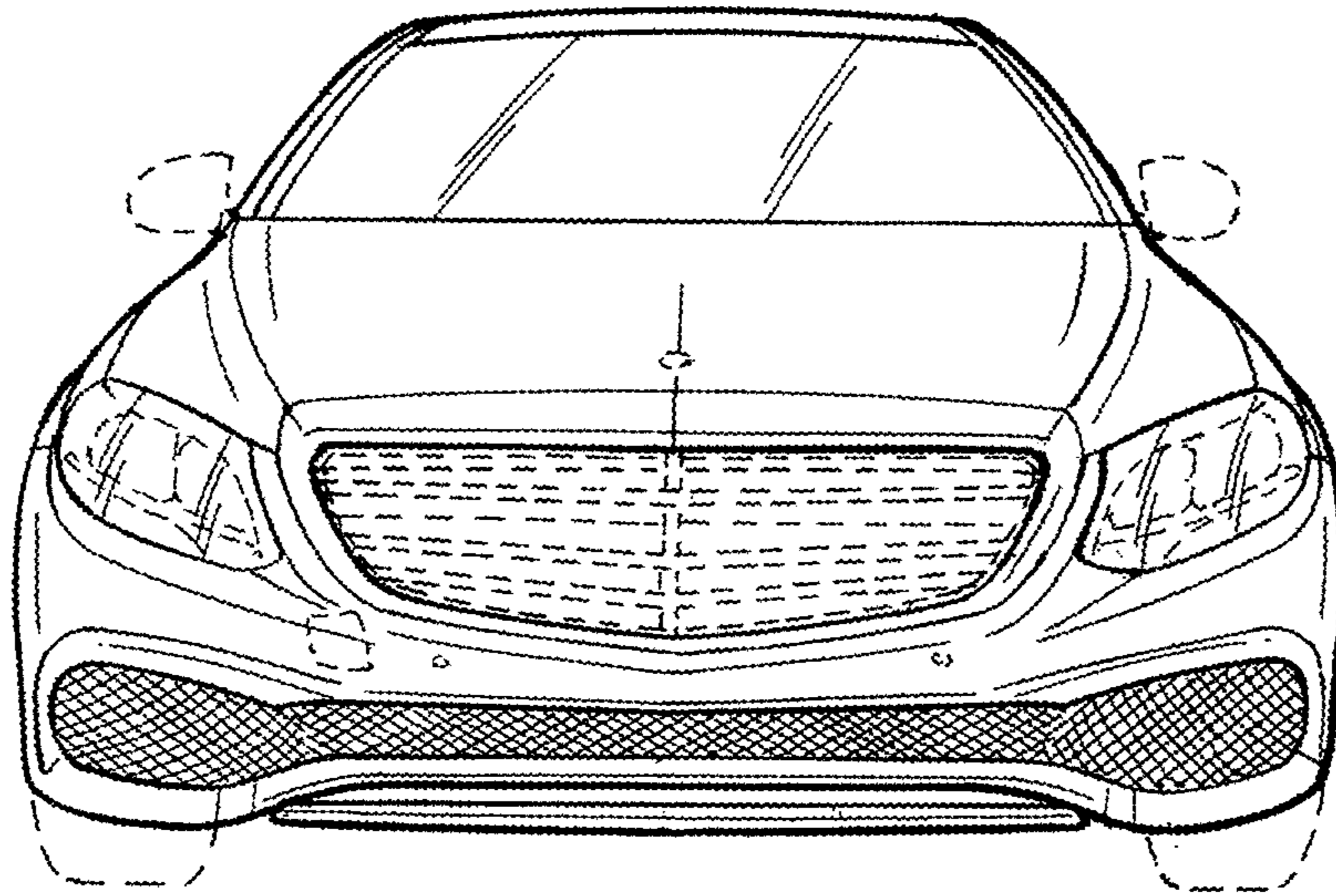


FIG. 5

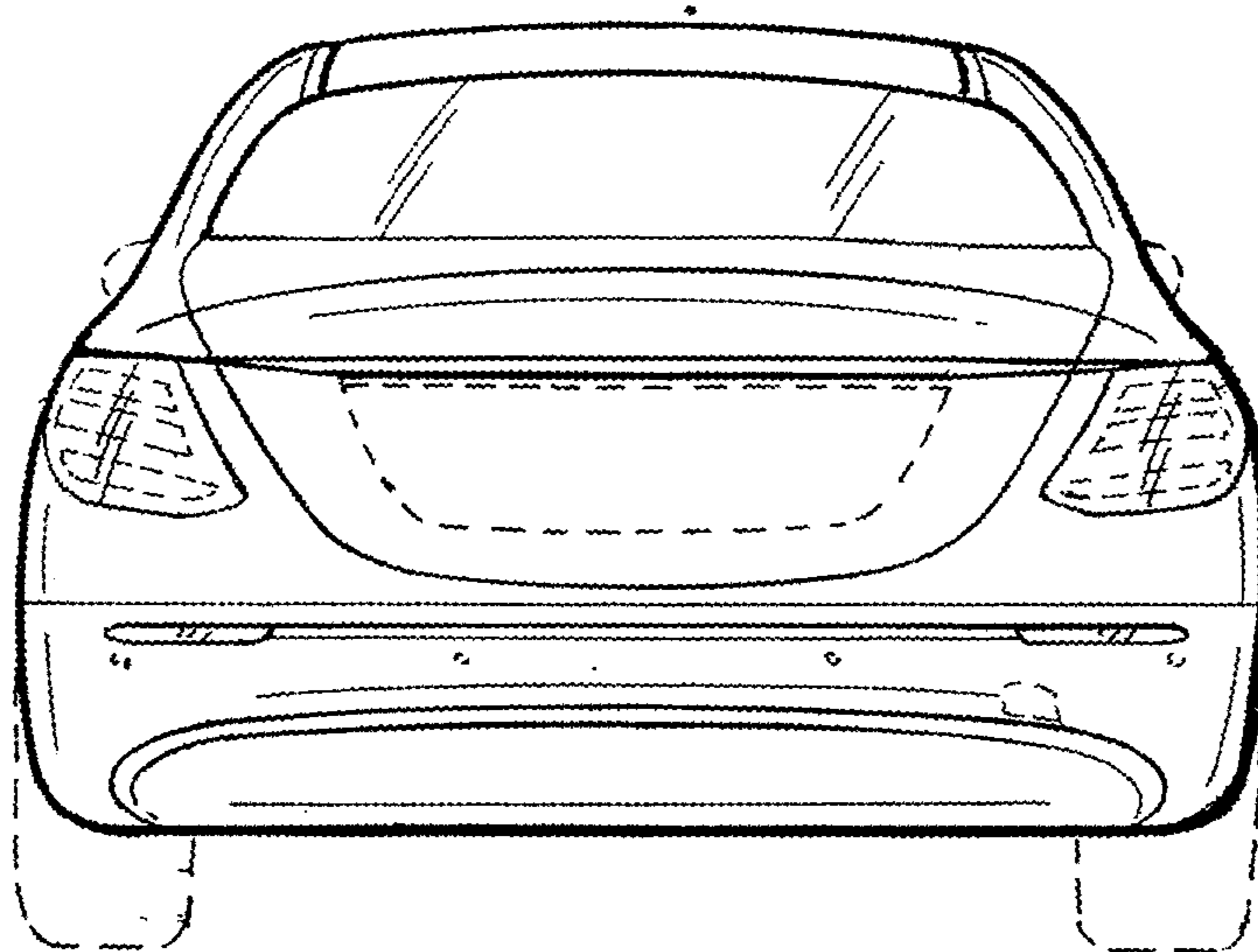


FIG. 6

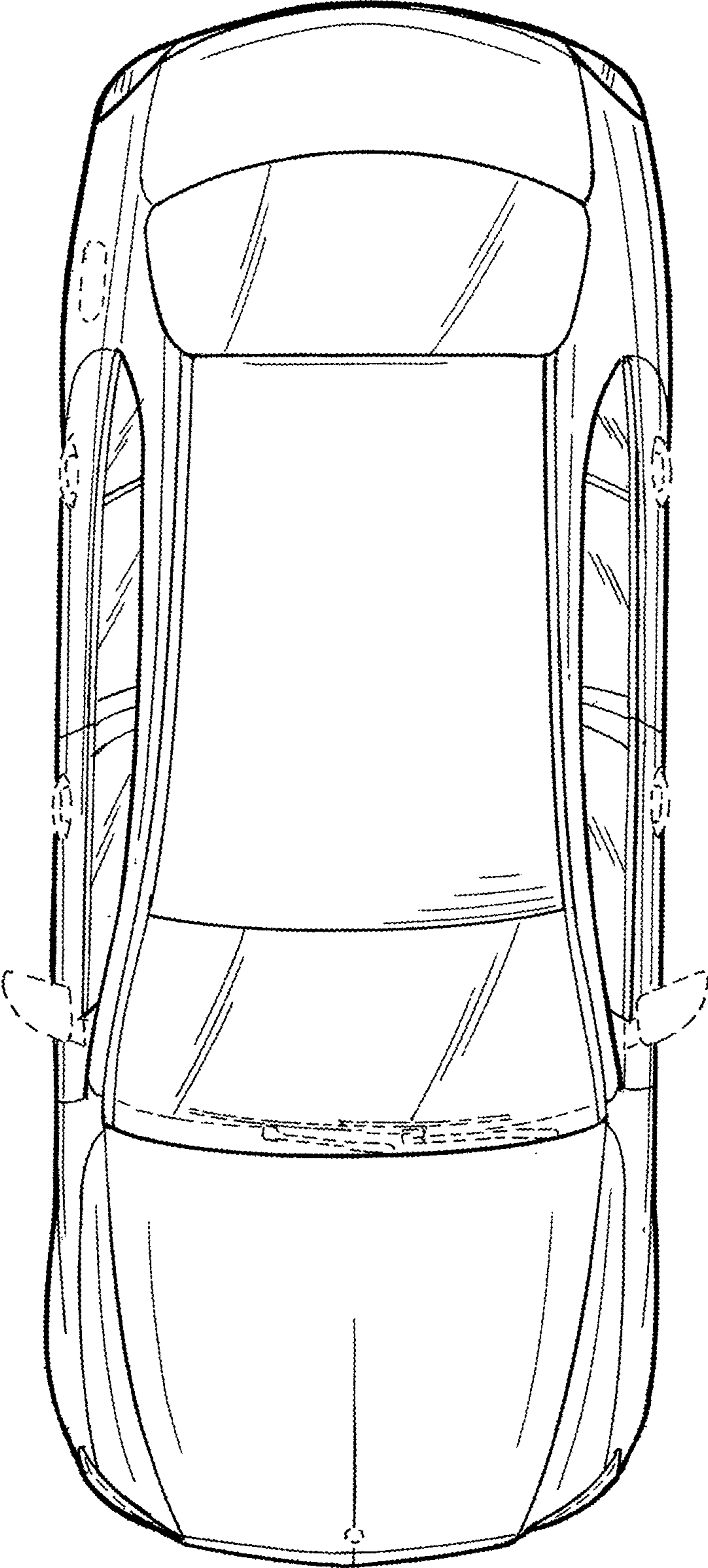


FIG. 7