



US00D757605S

(12) **United States Design Patent**
Takahashi et al.

(10) **Patent No.:** **US D757,605 S**
(45) **Date of Patent:** **** May 31, 2016**

(54) **PASSENGER CARRYING CAR**

(56) **References Cited**

(71) Applicants: **CENTRAL JAPAN RAILWAY COMPANY**, Nagoya, Aichi (JP); **NIPPON SHARYO, LTD.**, Nagoya, Aichi (JP)
(72) Inventors: **Yukio Takahashi**, Nagoya (JP); **Yuya Futamura**, Nagoya (JP); **Koichi Hayashi**, Nagoya (JP); **Hiroki Tanaka**, Nagoya (JP); **Naoya Ozawa**, Nagoya (JP); **Naoyuki Maruyama**, Nagoya (JP)

(73) Assignees: **CENTRAL JAPAN RAILWAY COMPANY**, Nagoya (JP); **NIPPON SHARYO, LTD.**, Nagoya (JP)

(**) Term: **14 Years**

(21) Appl. No.: **29/455,473**

(22) Filed: **May 21, 2013**

(30) **Foreign Application Priority Data**

Nov. 21, 2012 (JP) 2012-028580
Nov. 21, 2012 (JP) 2012-028582
Nov. 21, 2012 (JP) 2012-028583
Nov. 21, 2012 (JP) 2012-028584
Nov. 21, 2012 (JP) 2012-028585

(51) **LOC (10) Cl.** **12-03**

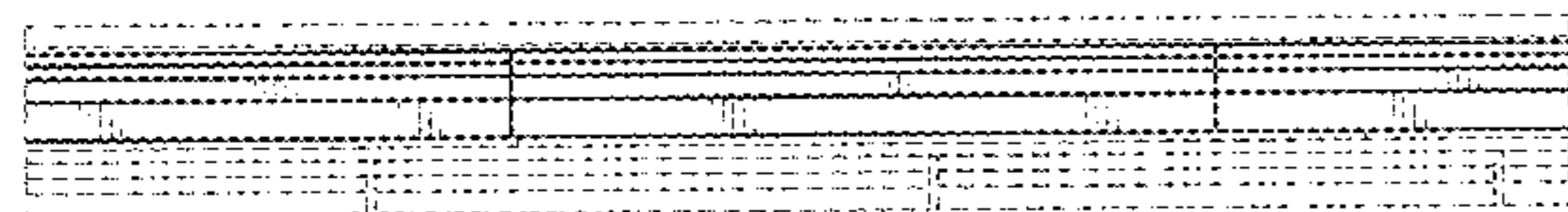
(52) **U.S. Cl.**
USPC **D12/42**

(58) **Field of Classification Search**
USPC D12/36-51, 320, 195, 345, 99;
D11/155; D5/63; 181/290; 105/404,
105/396, 397; D25/168-164, 58
CPC B61D 17/12; B61D 17/06; B61D 17/02;
B61D 17/005; B61D 27/00; B61D 17/045;
B61D 17/00; B61D 29/00; B61D 17/041;
B61D 17/07; Y02T 30/32; B60Q 3/25;
B60Q 3/0256; B60Q 3/02

See application file for complete search history.

U.S. PATENT DOCUMENTS

986,093 A * 3/1911 Small et al. B61D 17/12
52/22
1,175,914 A * 3/1916 Anderson B61D 17/12
52/46
1,218,624 A * 3/1917 Brown B61D 17/12
52/49
1,588,906 A * 6/1926 Rackham B62D 31/04
296/178
2,619,045 A * 11/1952 Dean B61D 17/045
105/399
2,685,263 A * 8/1954 Barnes B61D 17/12
29/431
2,697,990 A * 12/1954 Parsons B61D 17/04
105/397
2,775,186 A * 12/1956 Strobell B60Q 3/025
454/109
2,882,836 A * 4/1959 Dean B60R 5/003
105/329.1
2,925,050 A * 2/1960 Candlin, Jr. B61D 17/08
105/397
2,946,297 A * 7/1960 Dean B61D 1/00
105/345
3,159,089 A * 12/1964 Eggert, Jr. B61D 17/12
454/99
3,486,277 A * 12/1969 Bauer B61D 17/12
52/46
D233,660 S * 11/1974 Gollwitzer et al. D12/195
D244,442 S * 5/1977 Greiss D12/195
4,233,908 A * 11/1980 Omar B61C 11/06
104/89
4,353,313 A * 10/1982 Panagin B61D 17/041
105/397
4,373,447 A * 2/1983 Pfister B61D 17/04
105/399
4,678,226 A * 7/1987 Ishizuka B61D 1/04
105/325
4,993,329 A * 2/1991 Takeich B61D 17/045
105/396
4,995,321 A * 2/1991 Ohmura B61D 1/00
105/396
5,113,769 A * 5/1992 Okuno B61D 17/04
105/397
5,333,554 A * 8/1994 Yamada B61D 17/043
105/397
5,365,662 A * 11/1994 Anderegg B29C 53/584
242/447.1
5,433,151 A * 7/1995 Ohara B61D 17/04
105/397



5,458,066	A *	10/1995	Ishida	B61D 17/045 105/397
5,480,729	A *	1/1996	Hattori	B61D 17/04 428/593
D732,459	S *	6/2015	Zuber	D12/345
9,067,606	B2 *	6/2015	Taguchi	B61D 17/08
D743,322	S *	11/2015	Zuber	D12/345
2007/0214998	A1 *	9/2007	Komaki	B23K 26/22 105/396
2015/0314794	A1 *	11/2015	Takahashi	B61D 17/18 105/397

FOREIGN PATENT DOCUMENTS

DE	0573384	A1 *	12/1993	B61D 17/045
FR	0427140	A1 *	5/1991	B61D 17/045
FR	2979316	A1 *	3/2013	B61D 17/045
JP	0345962	A2 *	12/1989	B61D 17/041
JP	WO 2015056347	A1 *	4/2015	B61D 27/00

* cited by examiner

Primary Examiner — T. Chase Nelson
Assistant Examiner — Ania Aman
 (74) *Attorney, Agent, or Firm* — Oliff PLC

(57) **CLAIM**

The ornamental design for a passenger carrying car, as shown and described.

DESCRIPTION

FIG. 1 is a side view of a passenger carrying car;
 FIG. 2 is a top view thereof;
 FIG. 3 is an enlarged cross sectional view thereof taken along lines 3-3 in FIG. 1;
 FIG. 4 is a partially enlarged view thereof defined by the area 4' in FIG. 2 and taken along the lines 4-4 in FIG. 2;

FIG. 5 is a partially enlarged view thereof defined by the area 5' in FIG. 2 and taken along the lines 5-5 in FIG. 2;
 FIG. 6 is a partially enlarged cross sectional view thereof defined by the area 6' in FIG. 4;
 FIG. 7 is a partially enlarged cross sectional view thereof defined by the area 7' in FIG. 2 and taken along the lines 7-7 in FIG. 3;
 FIG. 8 is a partially enlarged cross sectional view thereof defined by the area 8' in FIG. 7;
 FIG. 9 is a partially enlarged view thereof defined by the broken line box 9 in FIG. 7;
 FIG. 10 is a partially enlarged cross sectional view thereof defined by the area 10' in FIG. 2 and taken along the lines 10-10 in FIG. 3;
 FIG. 11 is a partially enlarged cross sectional view thereof defined by the area 11' in FIG. 10;
 FIG. 12 is a partially enlarged view thereof defined by the broken line box 12 in FIG. 10;
 FIG. 13 is a partially enlarged cross sectional view thereof defined by the area 13' in FIG. 3 and taken along the lines 13-13 in FIG. 3;
 FIG. 14 is a partially enlarged cross sectional view thereof defined by the area 14' in FIG. 13;
 FIG. 15 is a partially enlarged view thereof defined by the area 15' in FIG. 13;
 FIG. 16 is another partially enlarged cross sectional view thereof taken along lines 16-16 in FIG. 4; and,
 FIG. 17 is a partially enlarged cross sectional view thereof defined by the areas 17' and 17'' in FIG. 16.
 The broken lines depict environmental subject matter only and form no part of the claimed design.

1 Claim, 11 Drawing Sheets

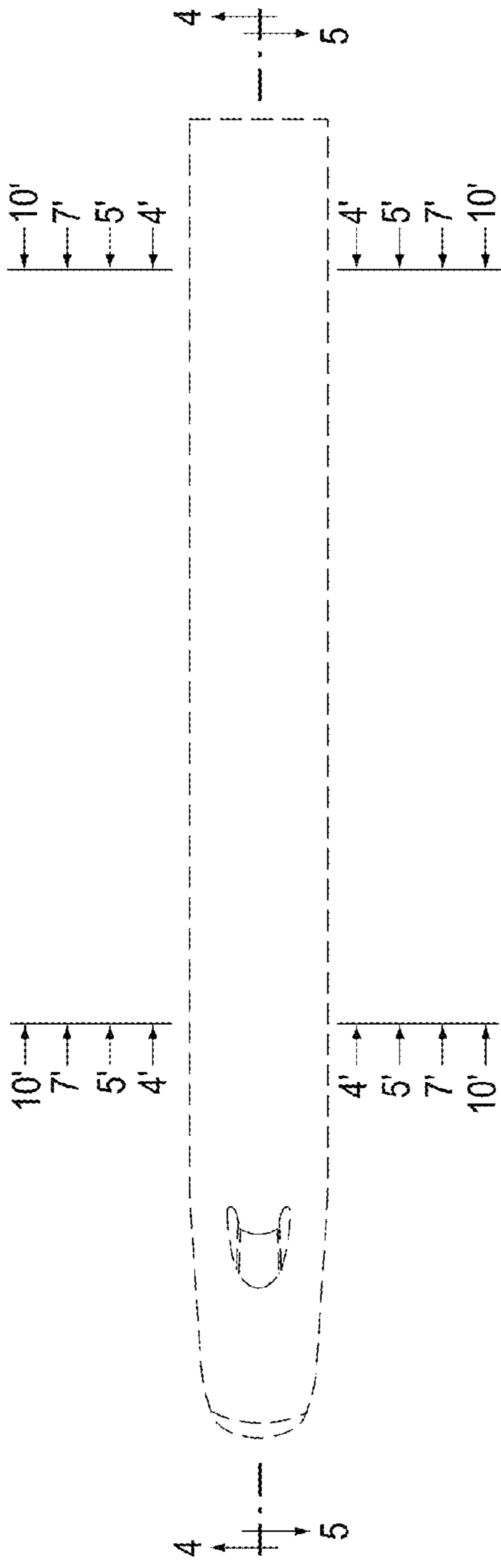


FIG. 2

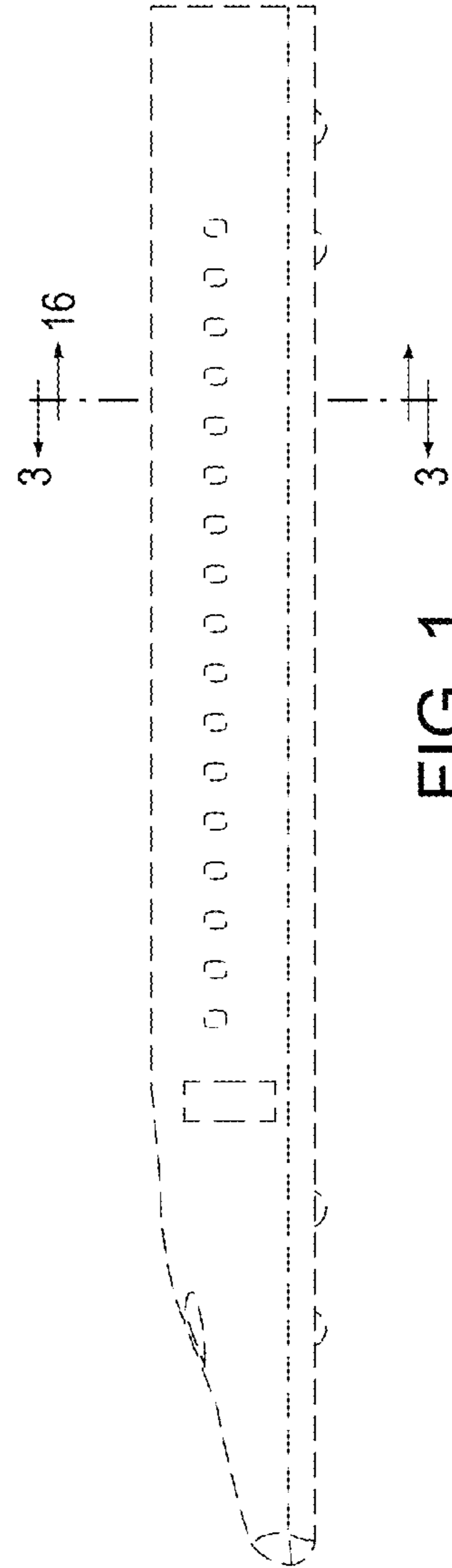


FIG. 1

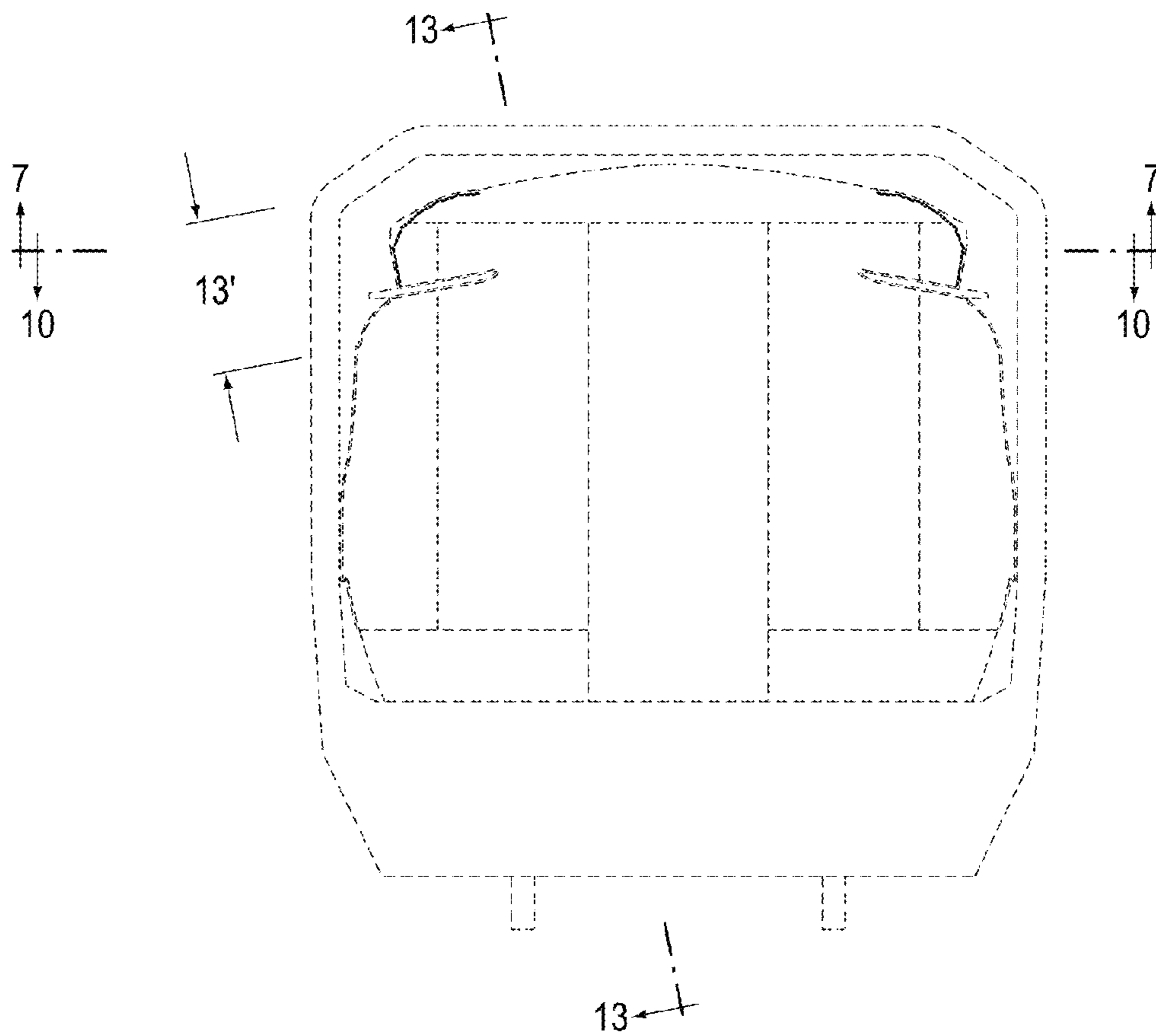


FIG. 3

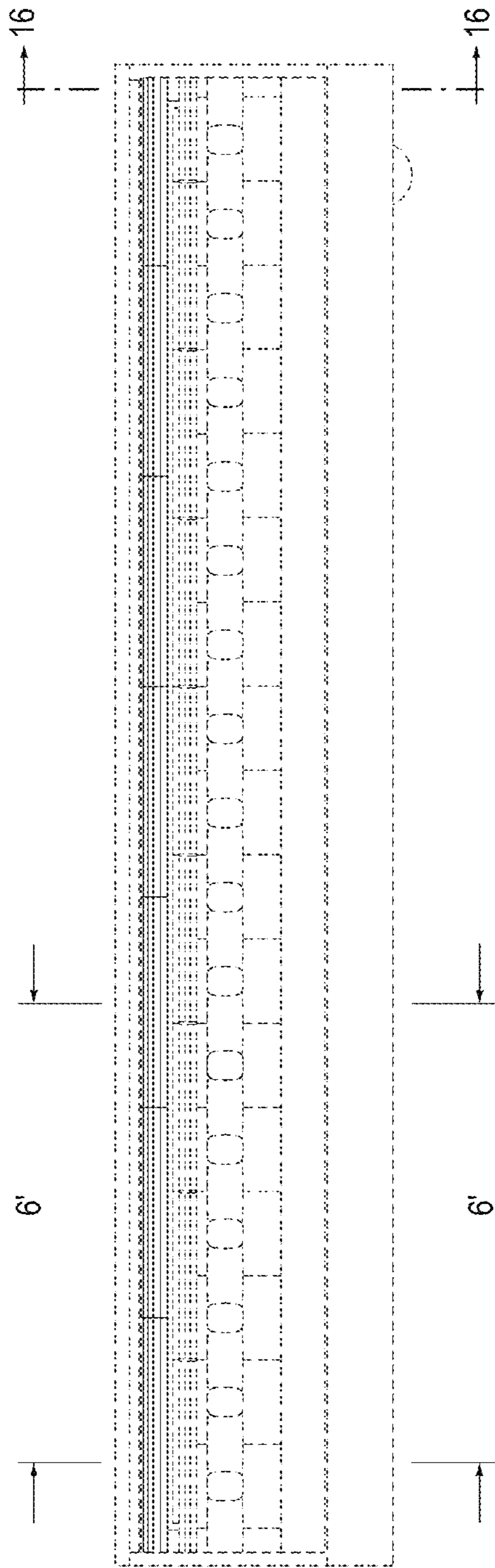


FIG. 4

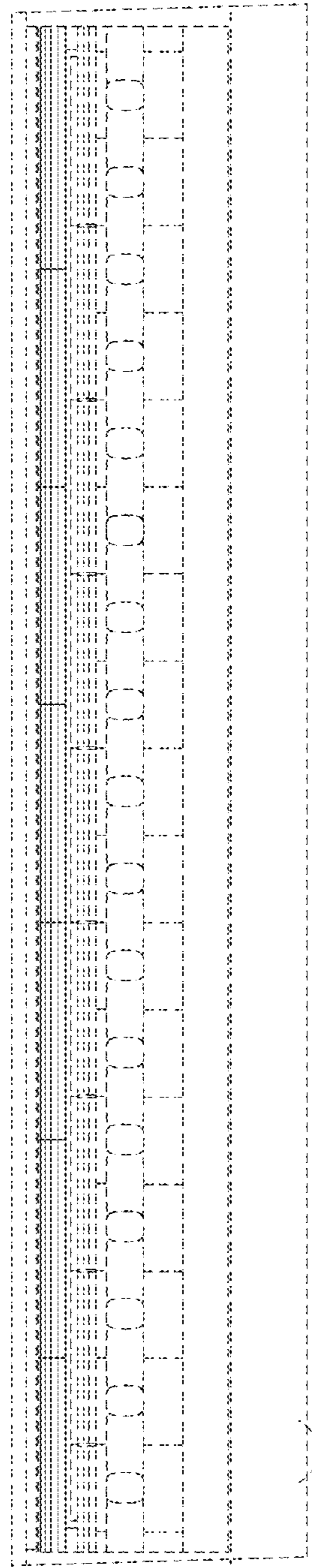


FIG. 5

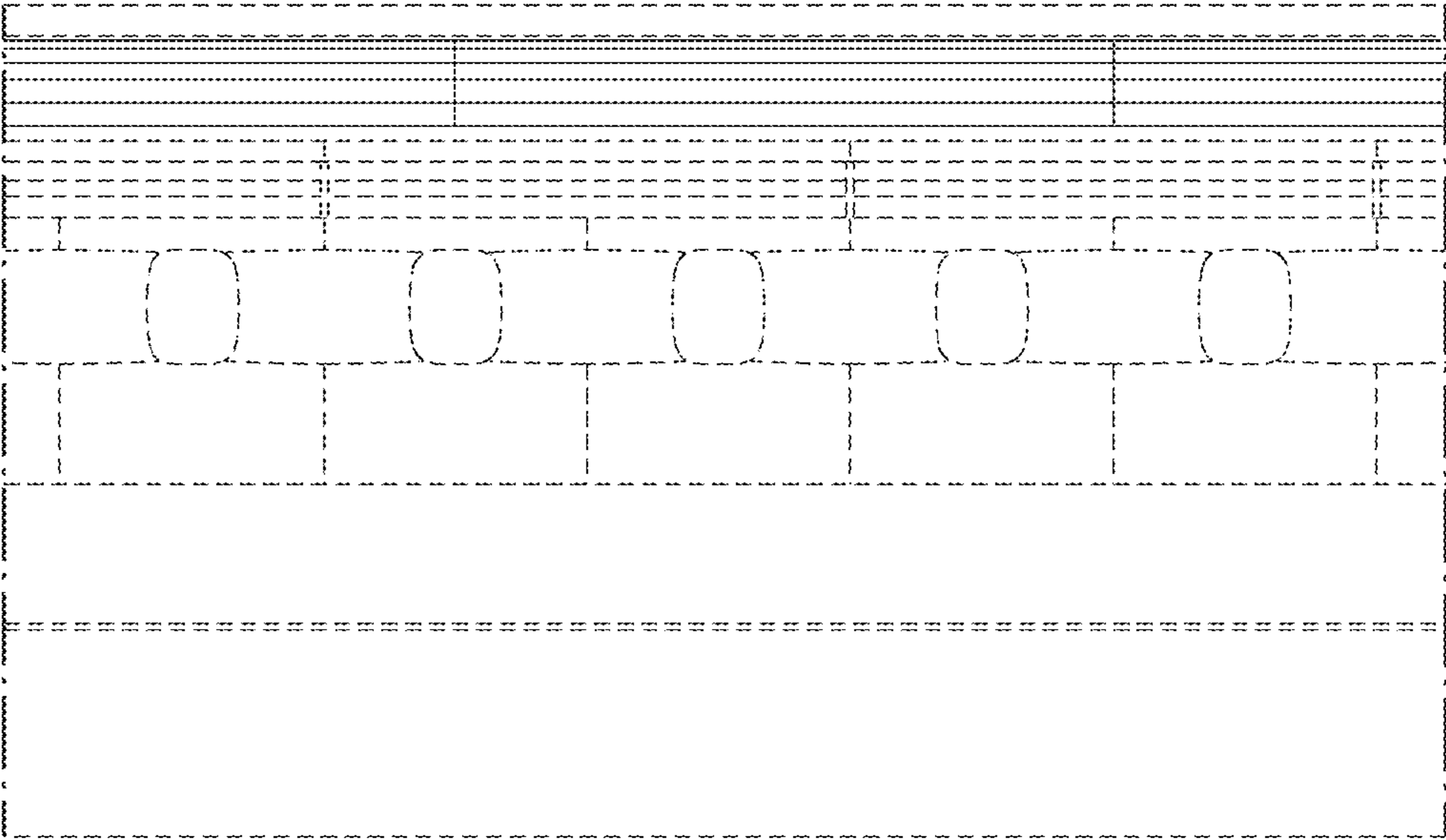


FIG. 6

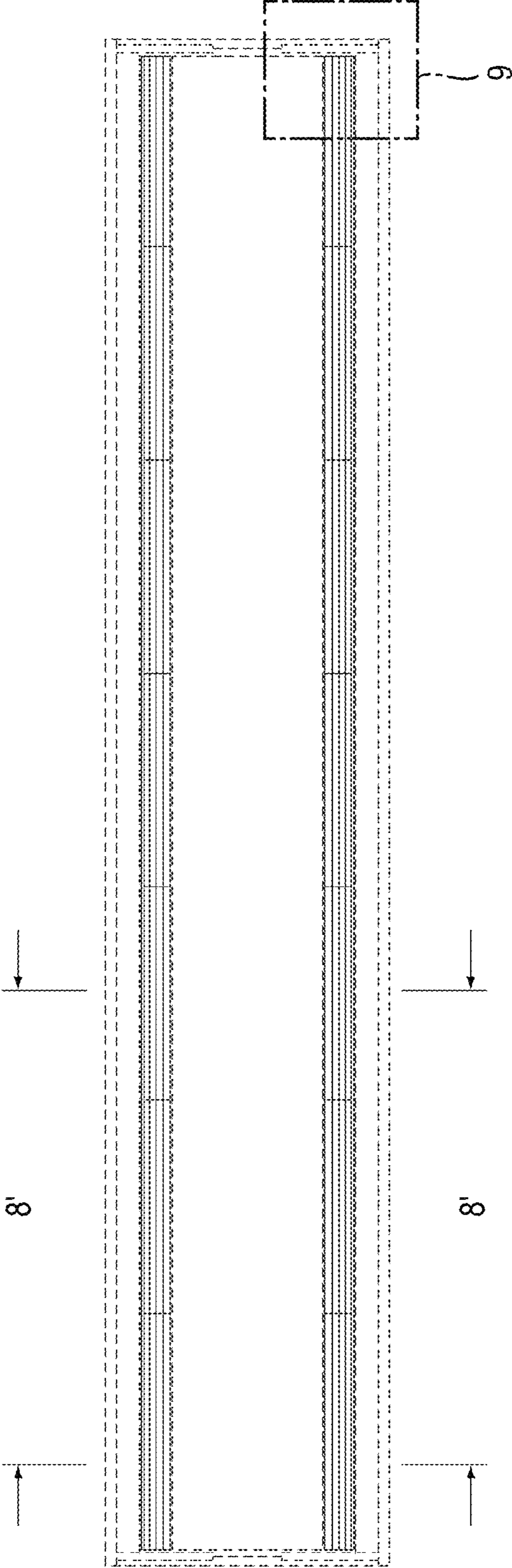


FIG. 7

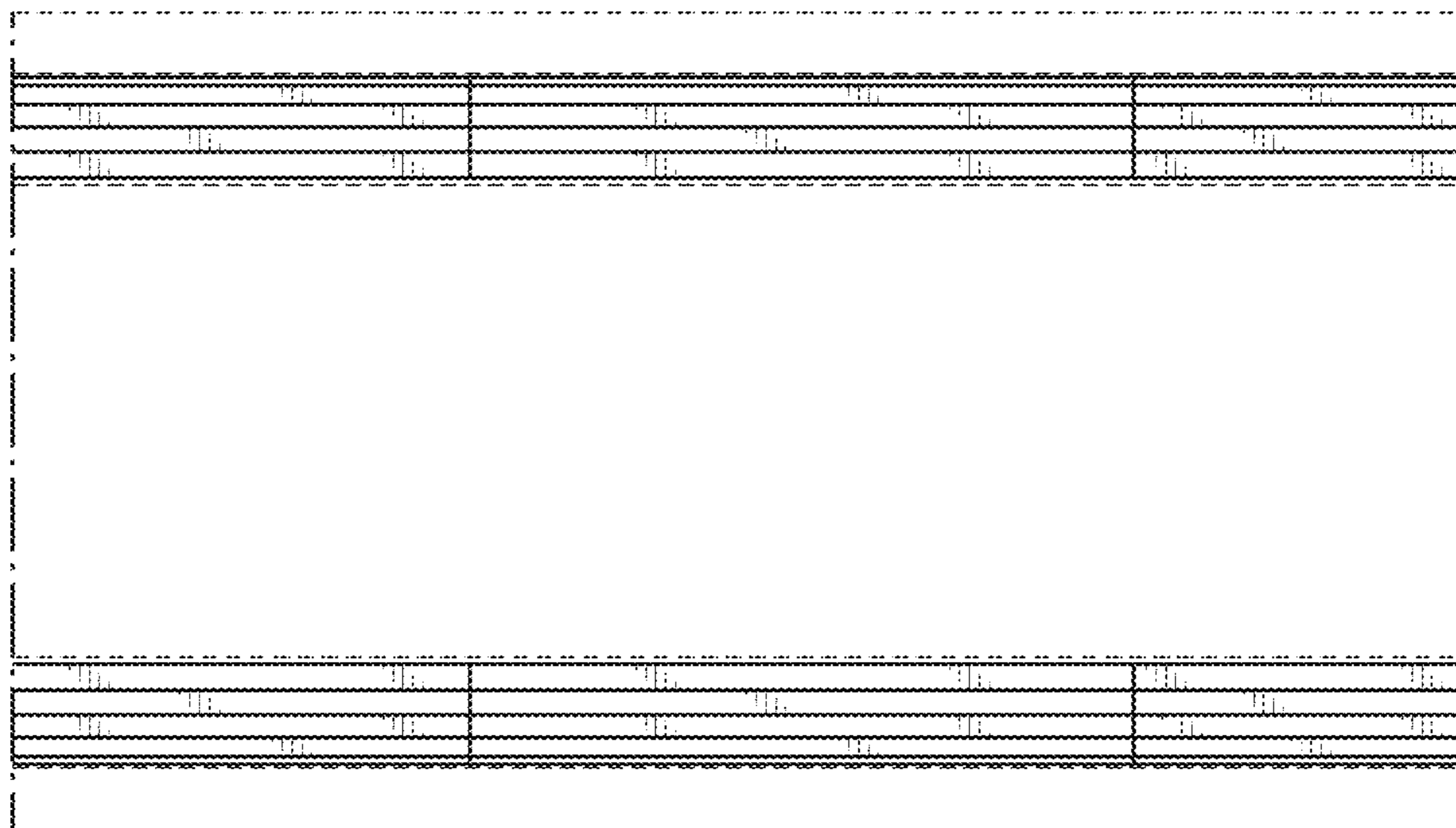


FIG. 8

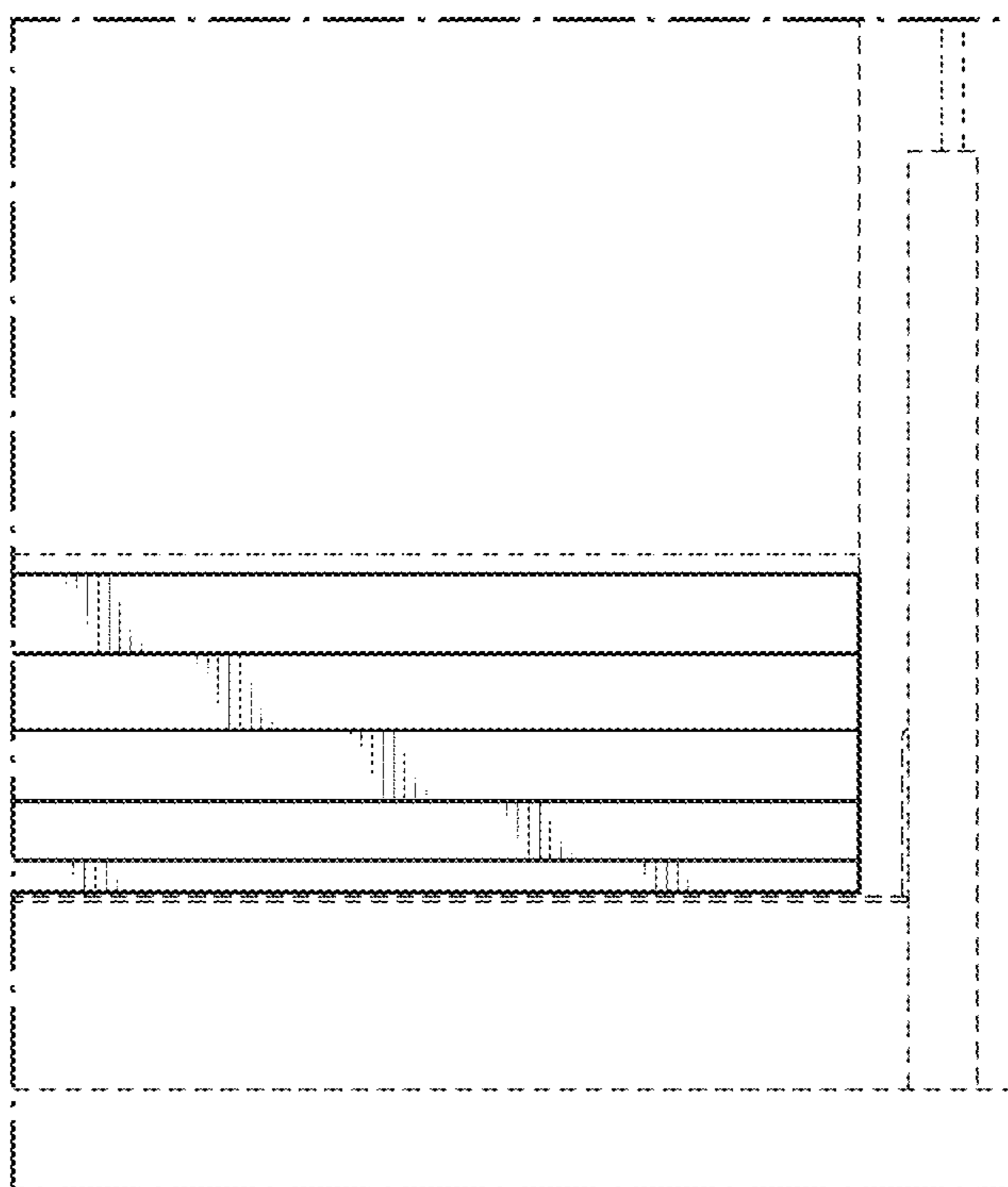


FIG. 9

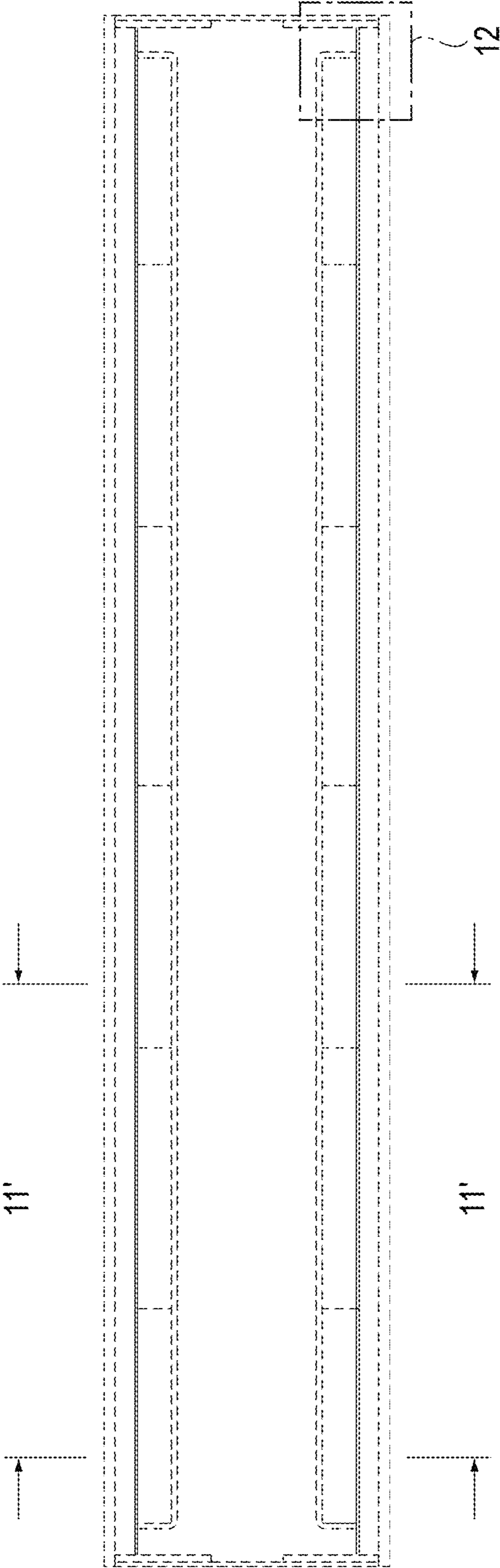


FIG. 10

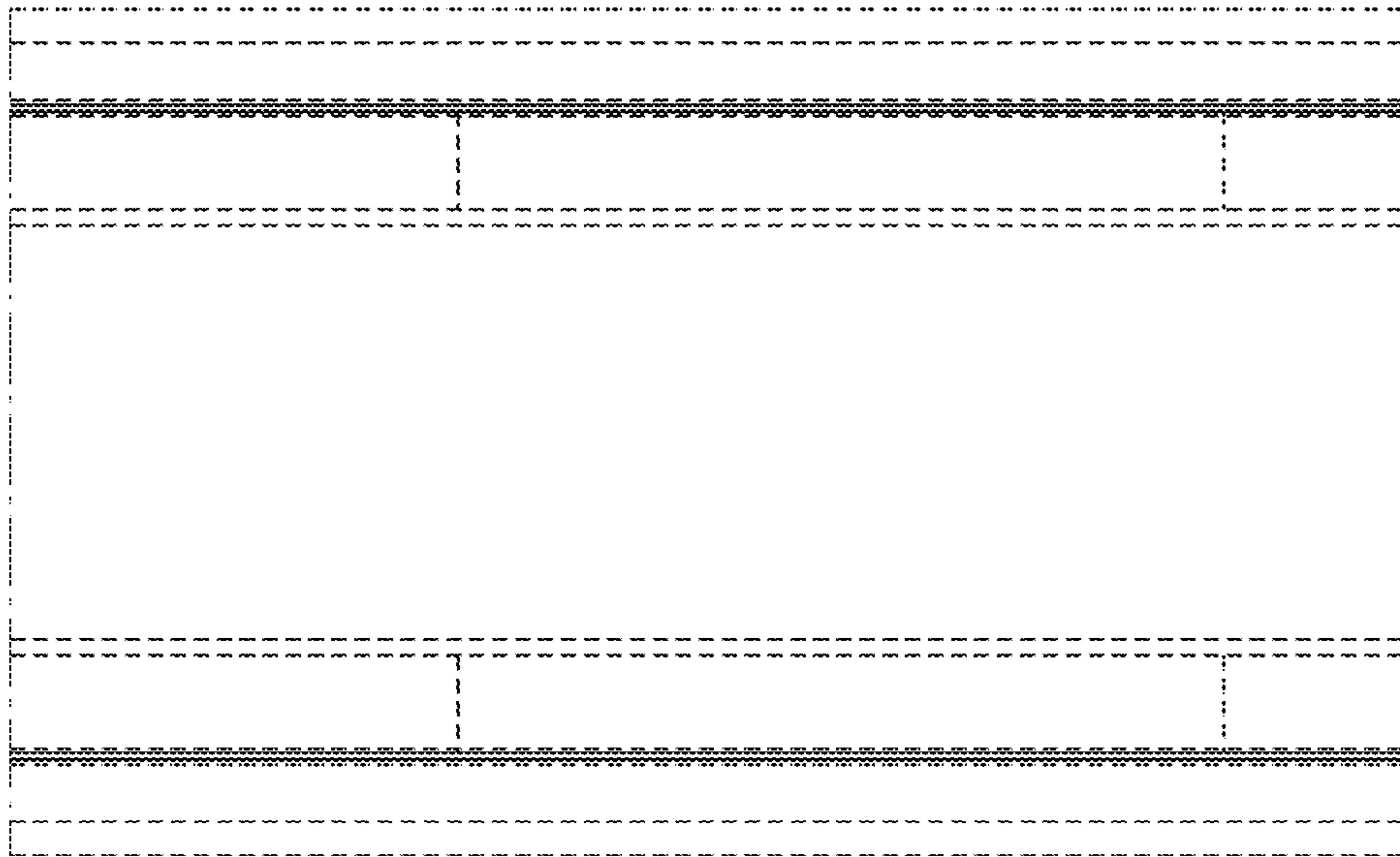


FIG. 11

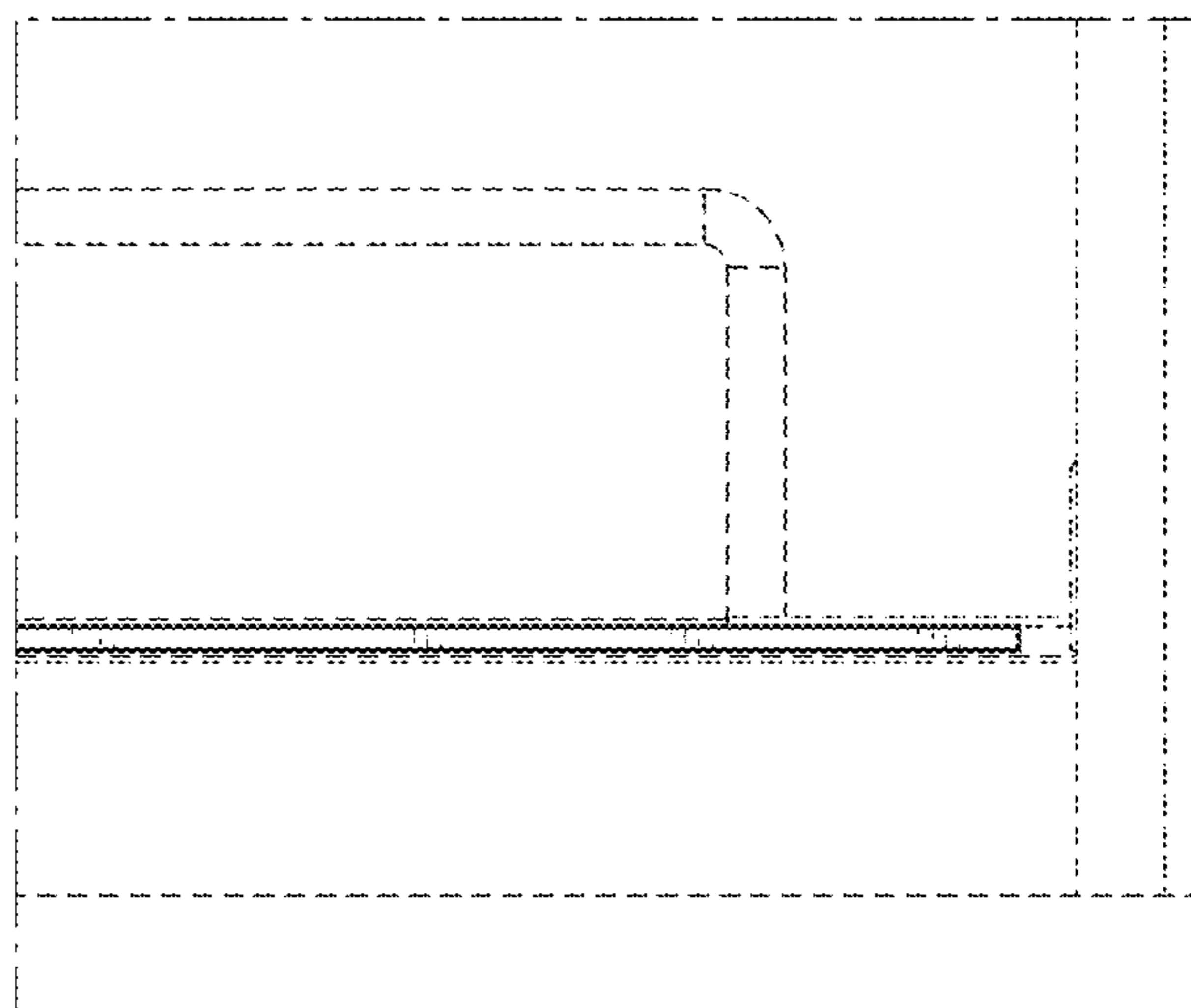


FIG. 12

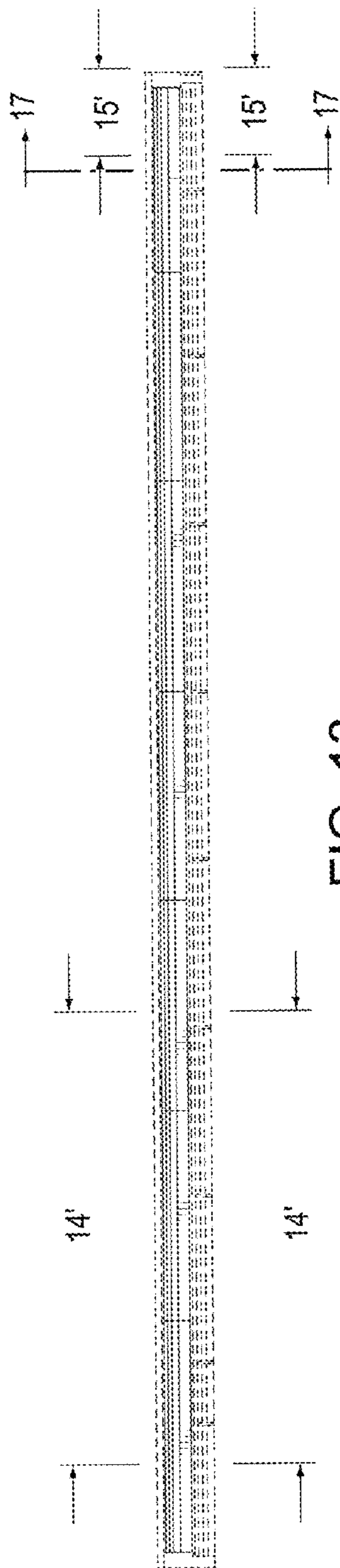


FIG. 13

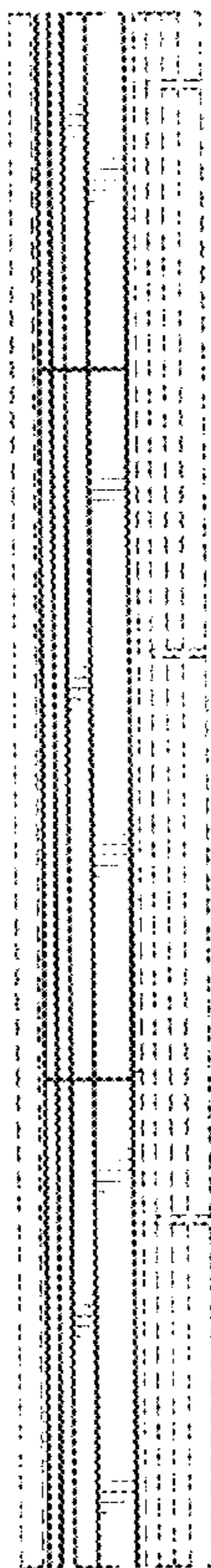


FIG. 14

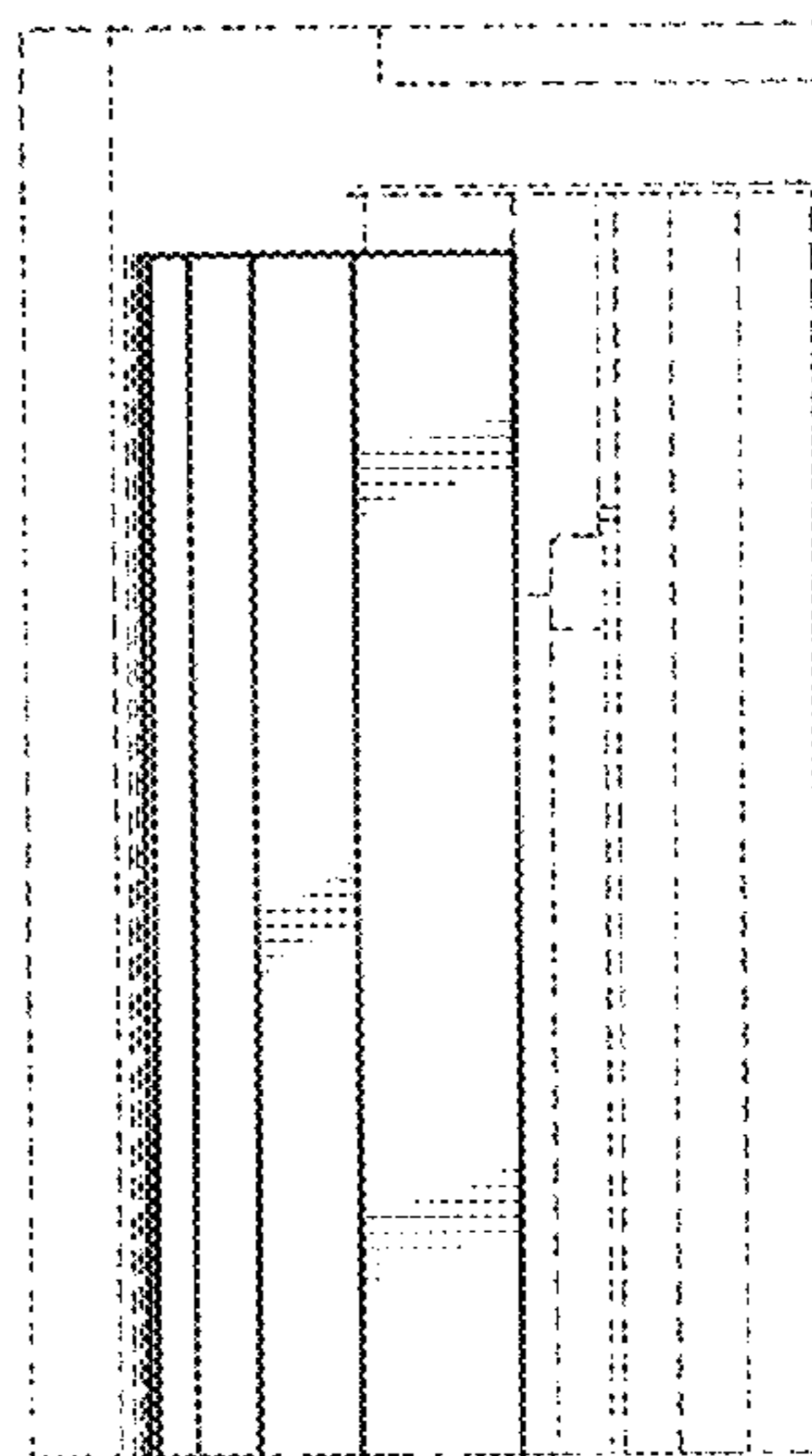


FIG. 15

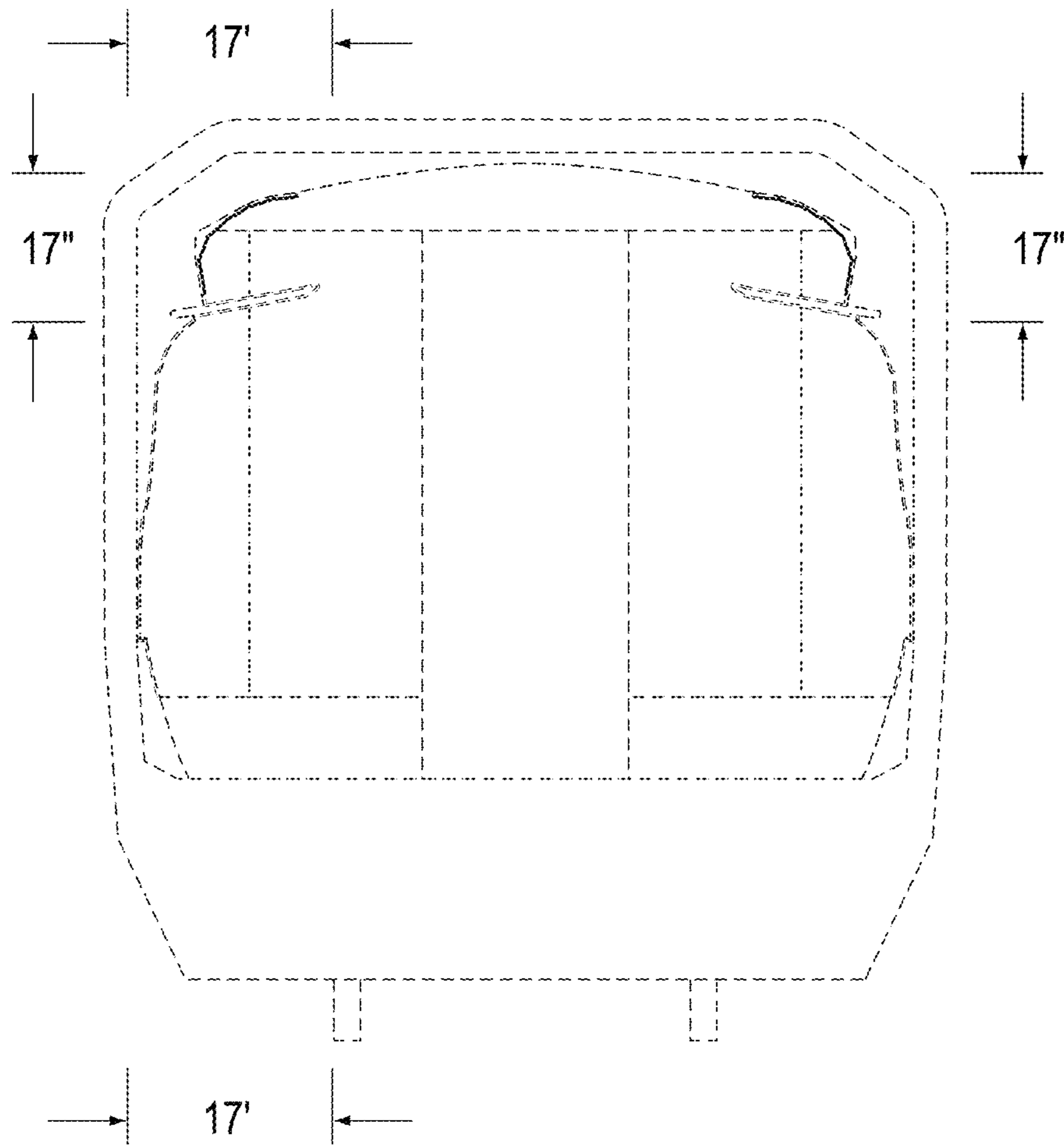


FIG. 16

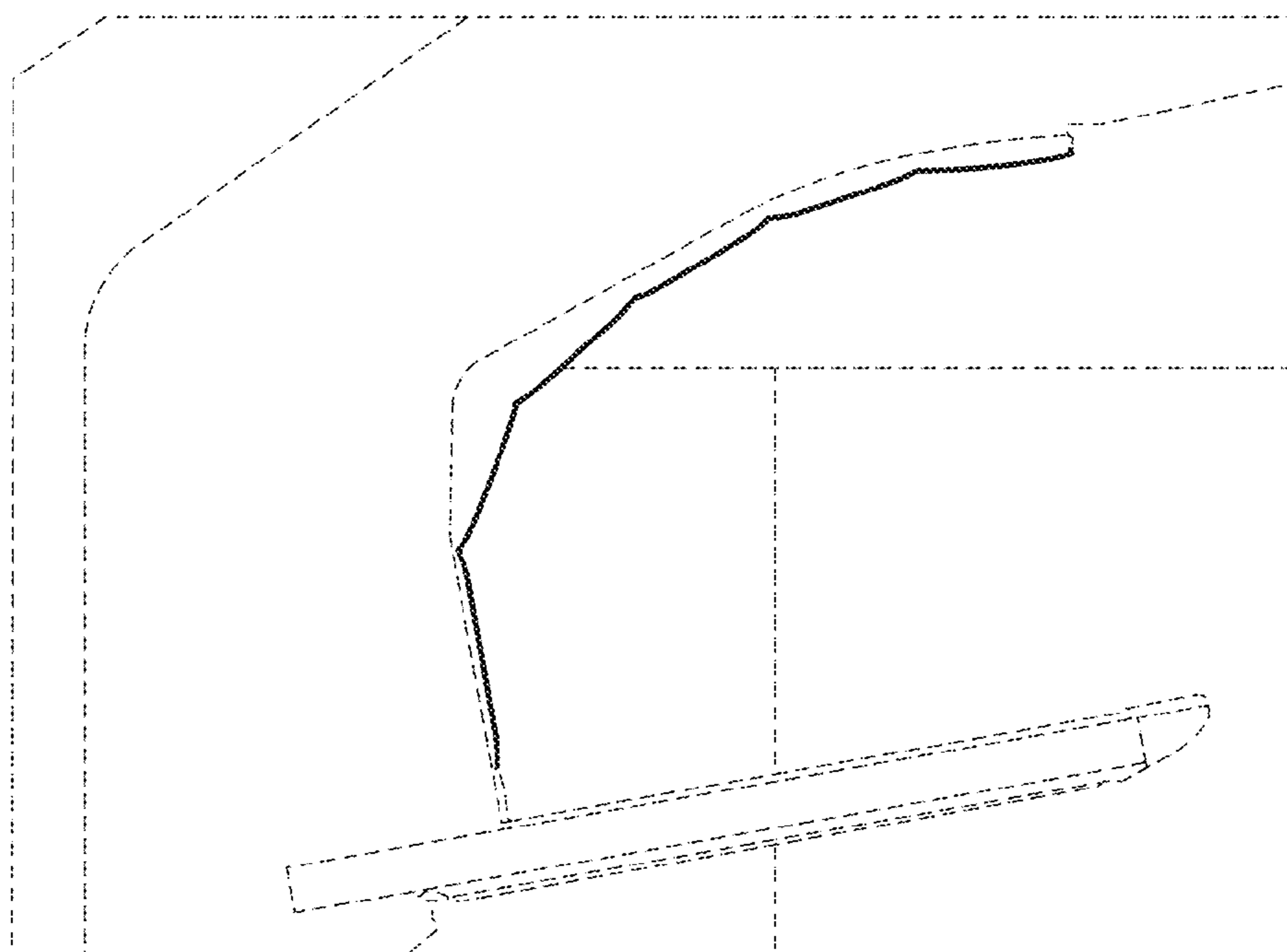


FIG. 17