



US00D757603S

(12) **United States Design Patent**
Shay et al.

(10) **Patent No.:** **US D757,603 S**

(45) **Date of Patent:** **** May 31, 2016**

(54) **ZIPPER TOOTH**

(71) Applicant: **PASKAL ZIPPERS LTD.**, Kibbutz Yiron (IL)

(72) Inventors: **Eyal Shay**, Kibbutz Yiron (IL); **Dan Nir**, Kibbutz Yiron (IL)

(73) Assignee: **PASKAL ZIPPERS LTD.**, Kibbutz Yiron (IL)

(**) Term: **14 Years**

(21) Appl. No.: **29/512,711**

(22) Filed: **Dec. 22, 2014**

(51) **LOC (10) Cl.** **02-07**

(52) **U.S. Cl.**
USPC **D11/221**

(58) **Field of Classification Search**
USPC D11/200-201, 221; 24/358-387, 24/414-417, 417-431, 4, 412; 2/265; D2/641; 294/2, 3.6; 223/111
CPC A44B 19/00; A44B 19/02; A44B 19/04; A44B 19/10; A44B 19/24; A44B 19/26; A44B 19/30; A44B 19/06

See application file for complete search history.

(56) **References Cited**

U.S. PATENT DOCUMENTS

1,820,327 A *	8/1931	Saunders	24/411
2,385,020 A *	9/1945	Morin	24/410
2,440,086 A *	4/1948	Graboi	24/410
2,493,308 A *	1/1950	Morin	24/411
3,736,628 A *	6/1973	Hansen	24/401
4,713,946 A *	12/1987	Hoerkens	63/4

* cited by examiner

Primary Examiner — Ralf Seifert

(74) *Attorney, Agent, or Firm* — Vorys, Sater, Seymour & Pease LLP

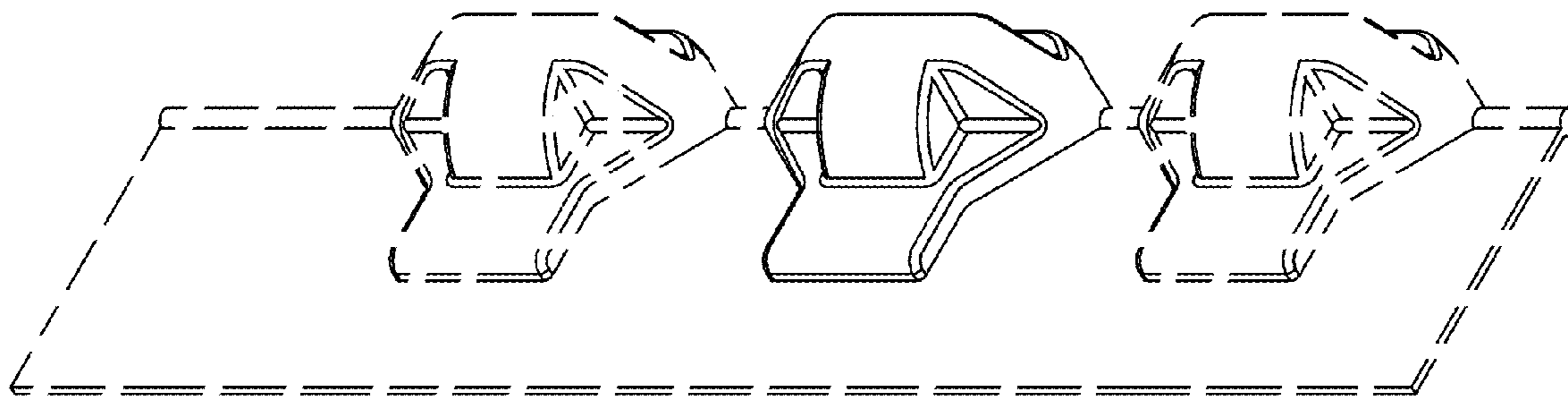
(57) **CLAIM**

The ornamental design for a zipper tooth, as shown and described.

DESCRIPTION

FIG. 1 is a perspective view for a tooth of a zipper, FIG. 2 is a front elevational view thereof, the rear being a mirror image, FIG. 3 is a side elevational view thereof, the other side being a mirror image, FIG. 4 is a top plan view thereof; and, FIG. 5 is a bottom plan view thereof. The broken lines shown throughout the drawings are for illustrative purposes only and form no part of the claimed design.

1 Claim, 5 Drawing Sheets



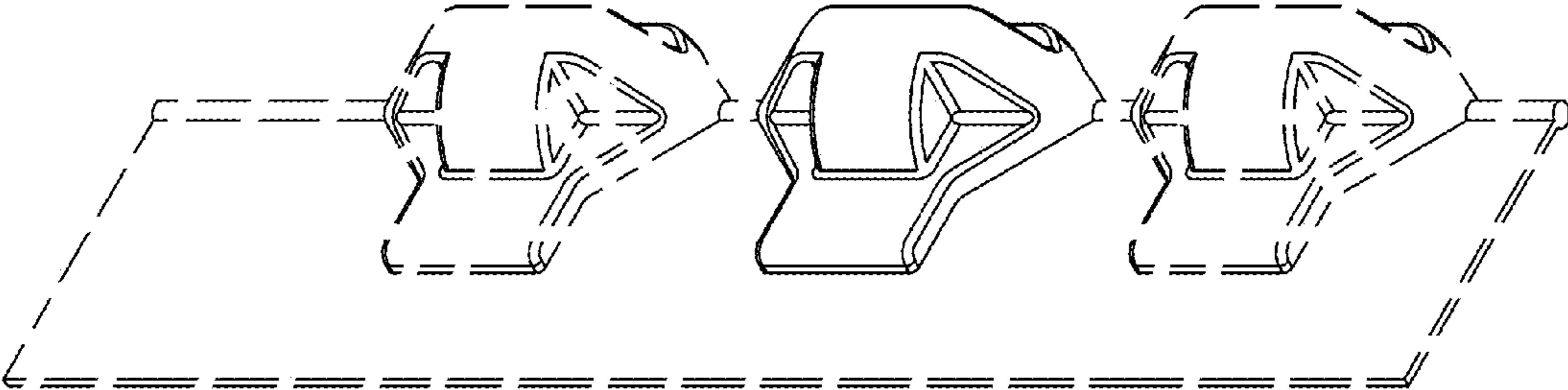


FIG. 1

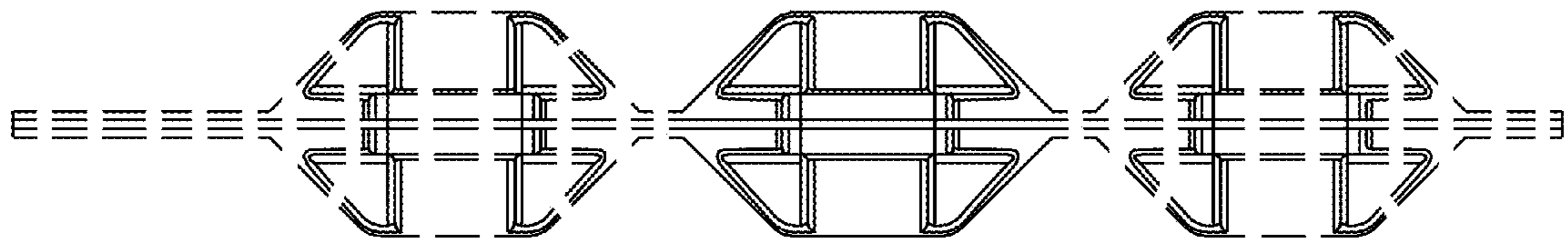


FIG. 2

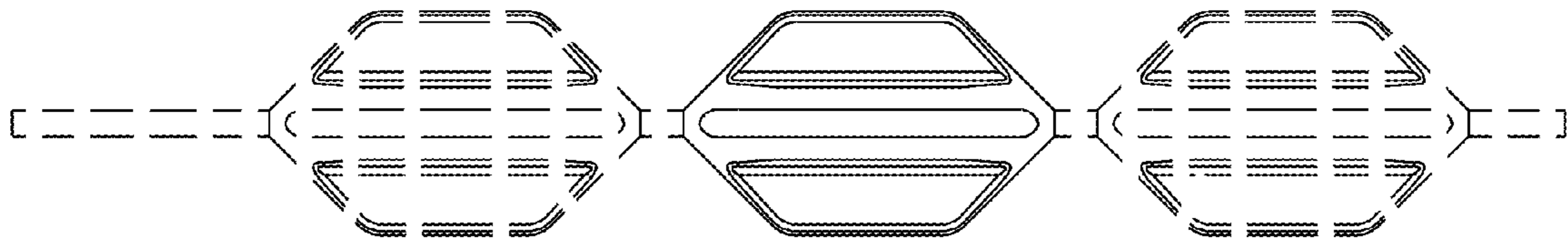


FIG. 3

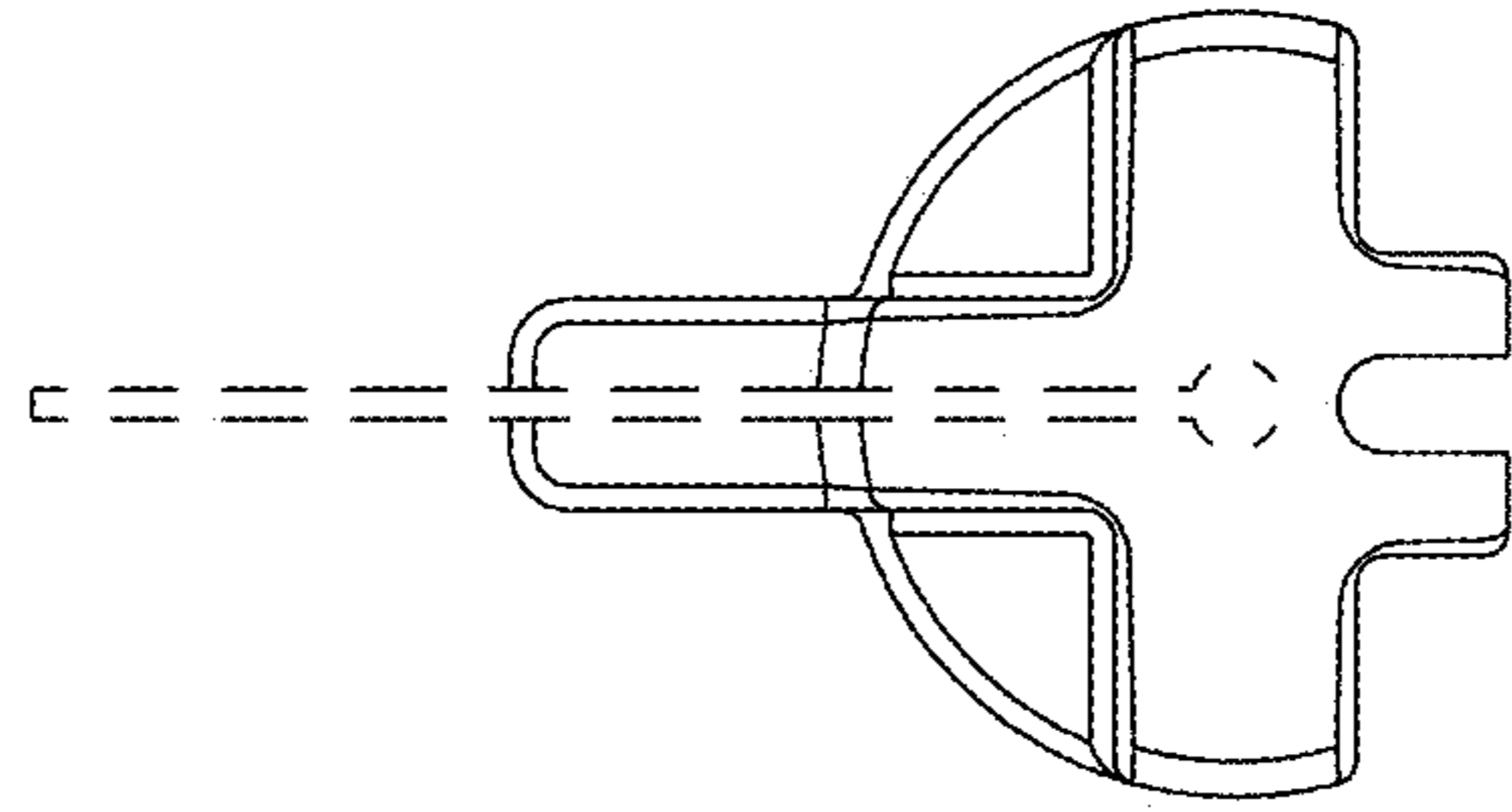


FIG. 4

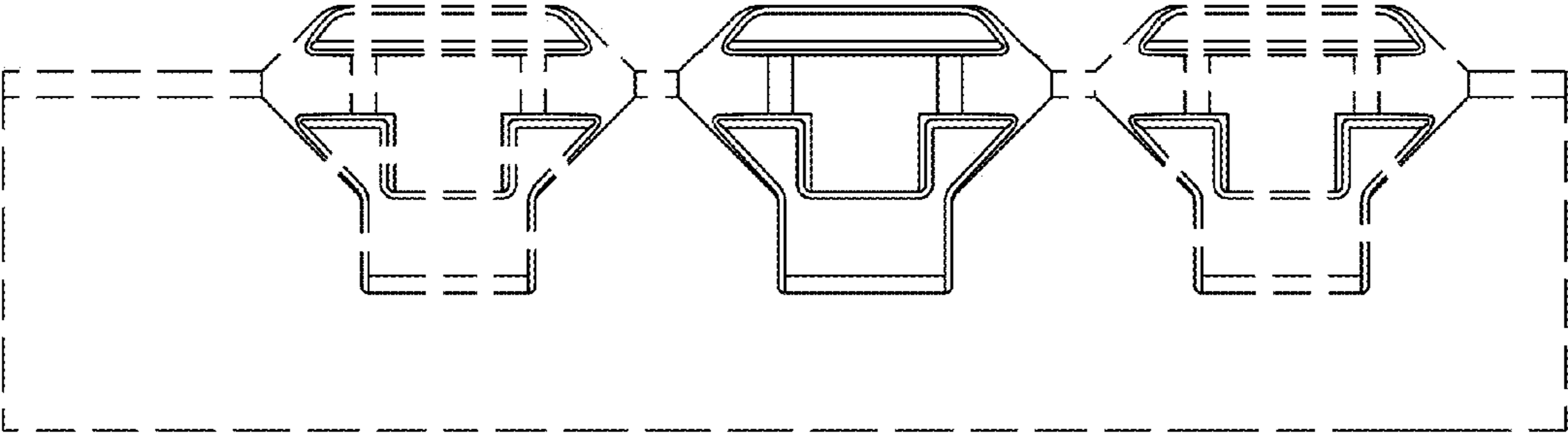


FIG. 5