



US00D757602S

(12) **United States Design Patent**
Chan

(10) **Patent No.:** **US D757,602 S**
(45) **Date of Patent:** **** May 31, 2016**

(54) **SLIDING CLIP BUCKLE**

(56) **References Cited**

(71) Applicant: **Duraflex Hong Kong Limited**, Hong Kong (HK)

U.S. PATENT DOCUMENTS

(72) Inventor: **Yick Fai Chan**, Hong Kong (HK)

D567,707 S *	4/2008	Yeates	D11/200
D568,782 S *	5/2008	Yang	D11/200
D568,785 S *	5/2008	Yang	D11/200
D684,088 S *	6/2013	Fukazawa	D11/216
D724,994 S *	3/2015	Paik	D11/216

(73) Assignee: **DURAFLEX HONG KONG LIMITED**, Hong Kong (HK)

* cited by examiner

(**) Term: **15 Years**

Primary Examiner — Ralf Seifert

(21) Appl. No.: **29/533,157**

(57) **CLAIM**

The ornamental design for a sliding clip buckle, as shown and described.

(22) Filed: **Jul. 15, 2015**

DESCRIPTION

(30) **Foreign Application Priority Data**

Jan. 16, 2015 (CN) 2015 3 0013848

(51) **LOC (10) Cl.** **02-07**

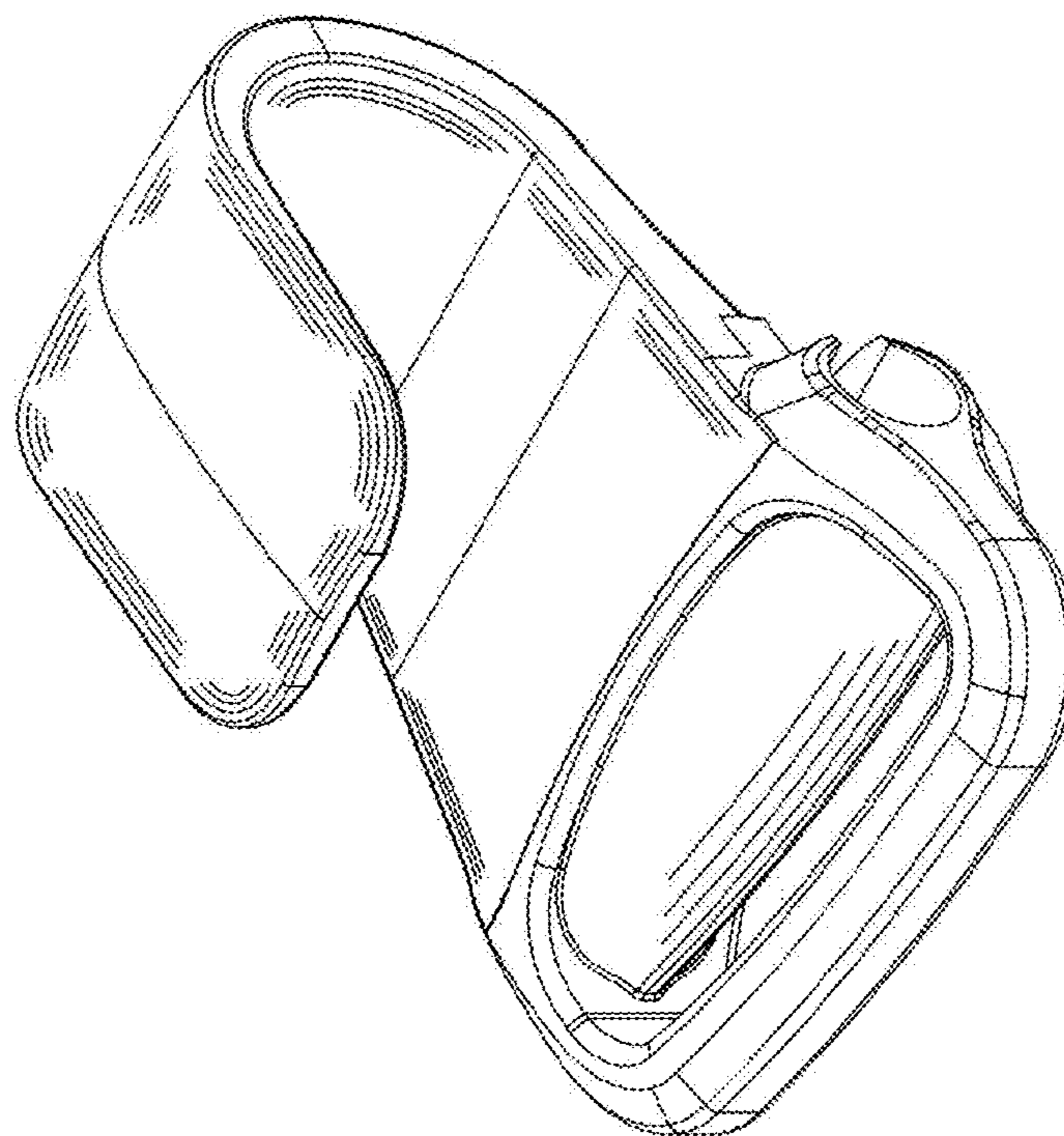
(52) **U.S. Cl.**
USPC **D11/216**

(58) **Field of Classification Search**
USPC D11/1-2, 200-201, 206-210, 214-218;
24/163 R, 169-171, 173, 177-179, 191,
24/194-195, 197, 200, 614-616, 625,
24/198; D8/395
CPC A44B 11/00; A44B 11/02; A44B 11/25;
A44B 17/00; A44B 21/00; A41F 19/00;
A41F 9/00

FIG. 1 is a front elevational view of a first embodiment of a sliding clip buckle;
FIG. 2 is a rear elevational view of FIG. 1;
FIG. 3 is a left side view of FIG. 1;
FIG. 4 is a right side view of FIG. 1;
FIG. 5 is a top plan view of FIG. 1;
FIG. 6 is a bottom plan view of FIG. 1;
FIG. 7 is a first perspective view of FIG. 1;
FIG. 8 is a second perspective view of FIG. 1;
FIG. 9 is a front elevational view of a second embodiment of a sliding clip buckle;
FIG. 10 is a rear elevational view of FIG. 9;
FIG. 11 is a left side view of FIG. 9;
FIG. 12 is a right side view of FIG. 9;
FIG. 13 is a top plan view of FIG. 9;
FIG. 14 is a bottom plan view of FIG. 9;
FIG. 15 is a first perspective view of FIG. 9; and,
FIG. 16 is a second perspective view of FIG. 9.

See application file for complete search history.

1 Claim, 16 Drawing Sheets



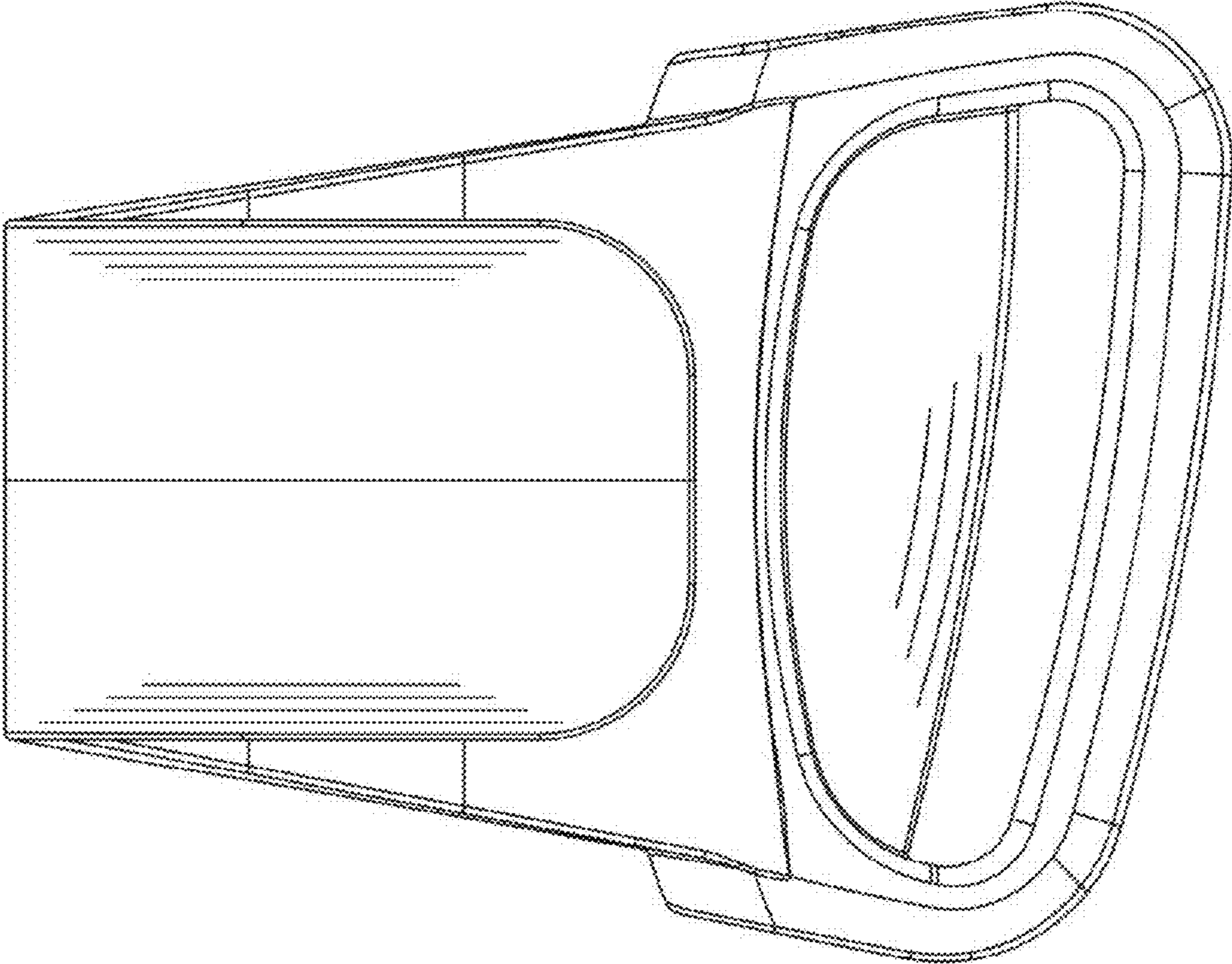


Fig. 1

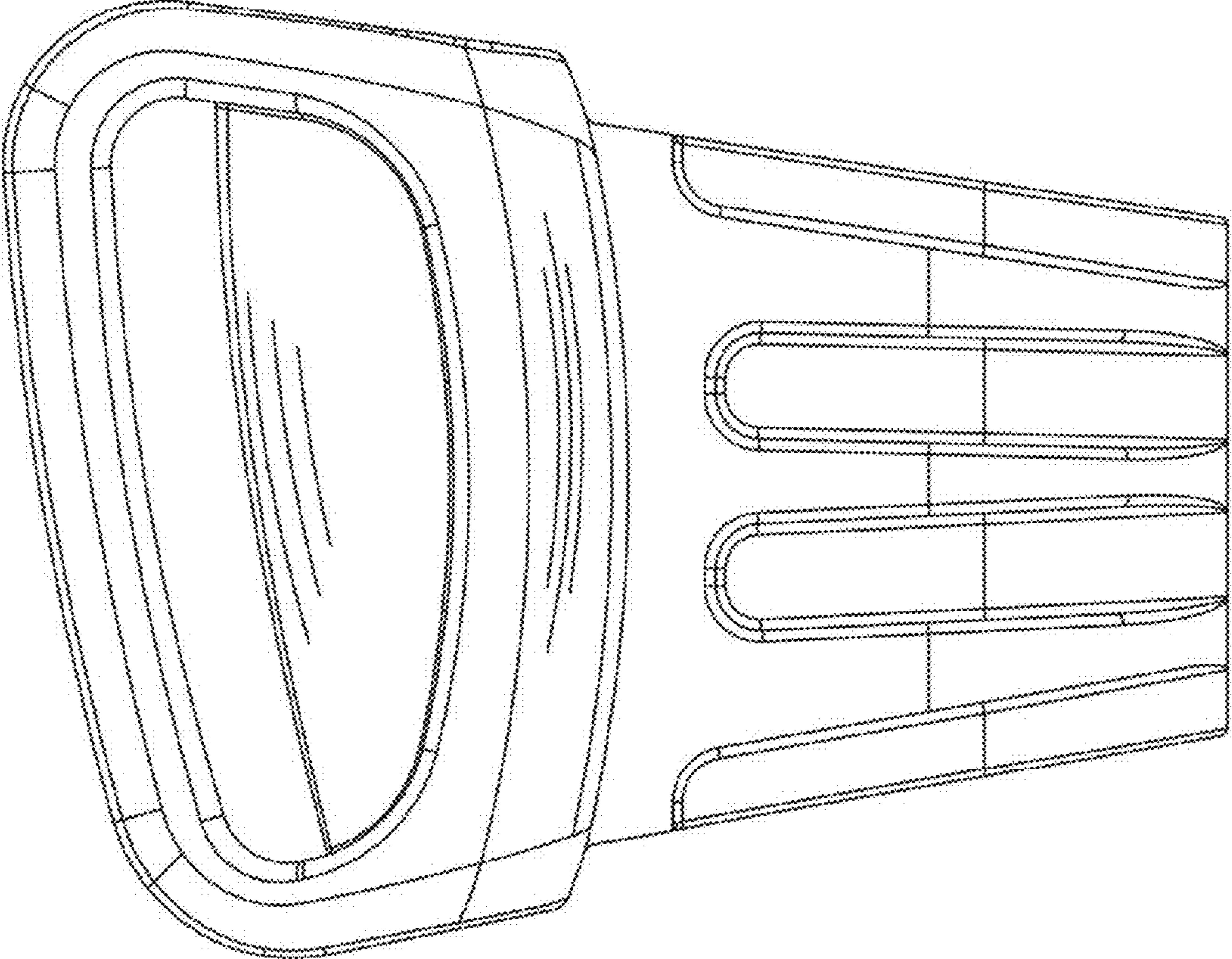


Fig. 2

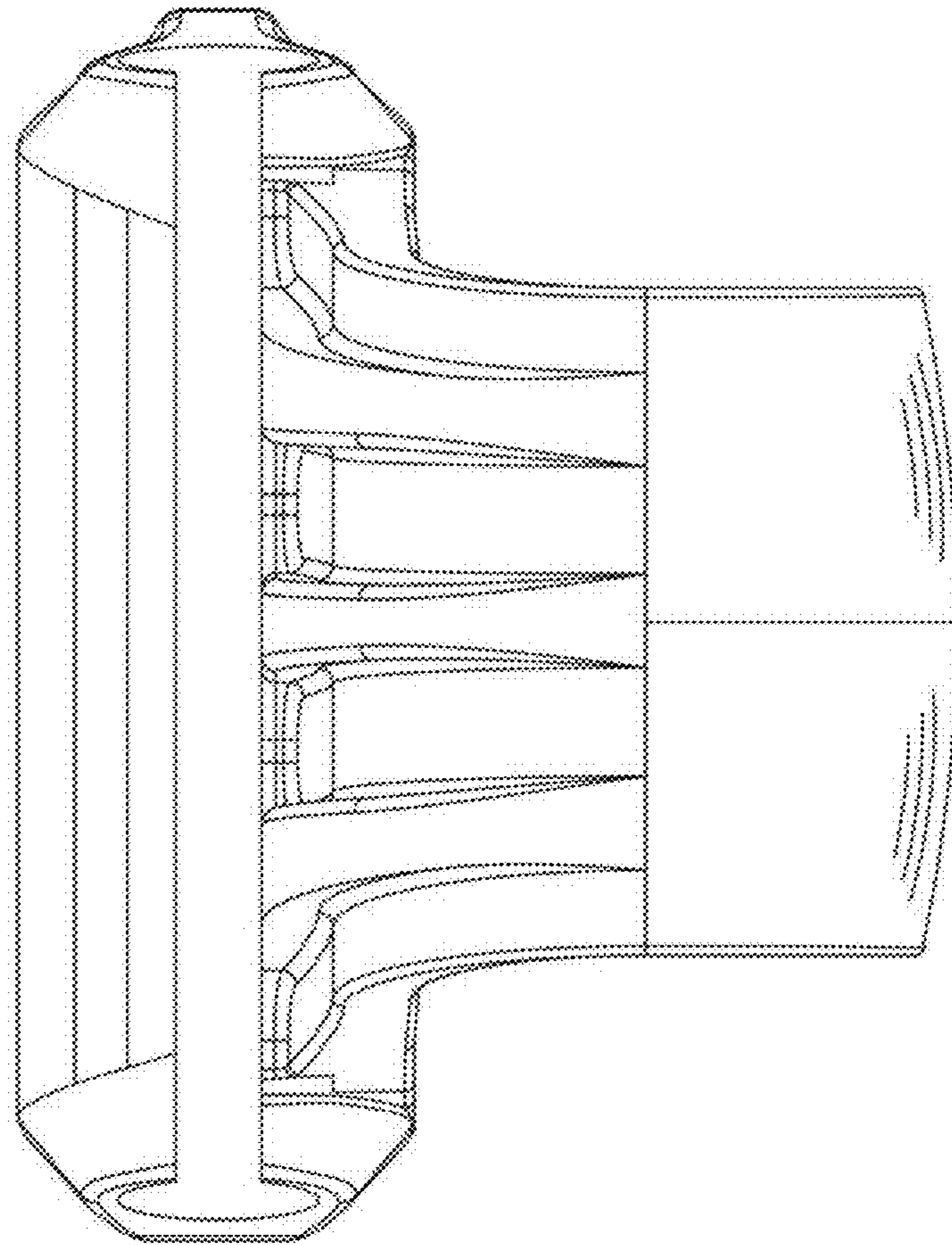


Fig. 3

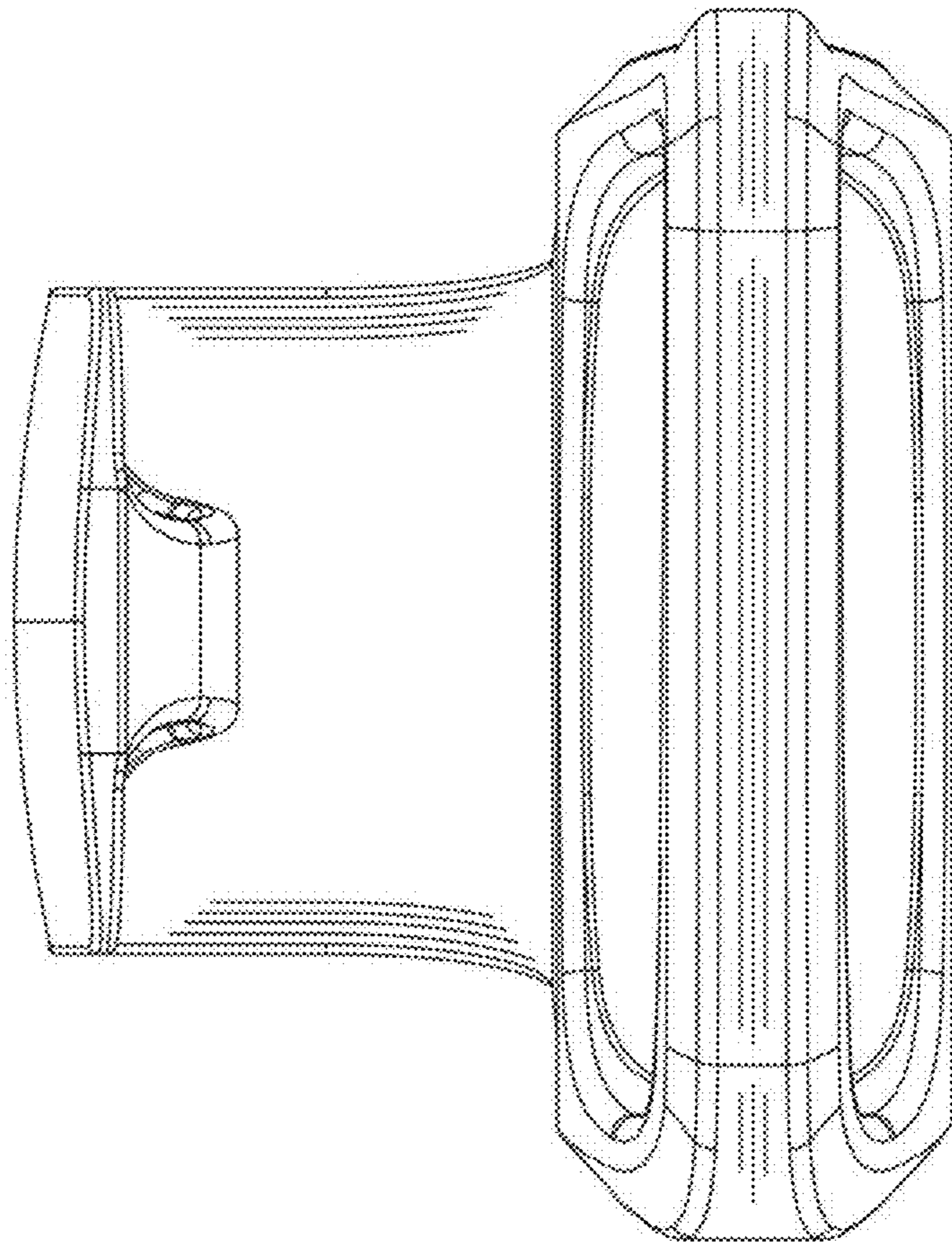


Fig. 4

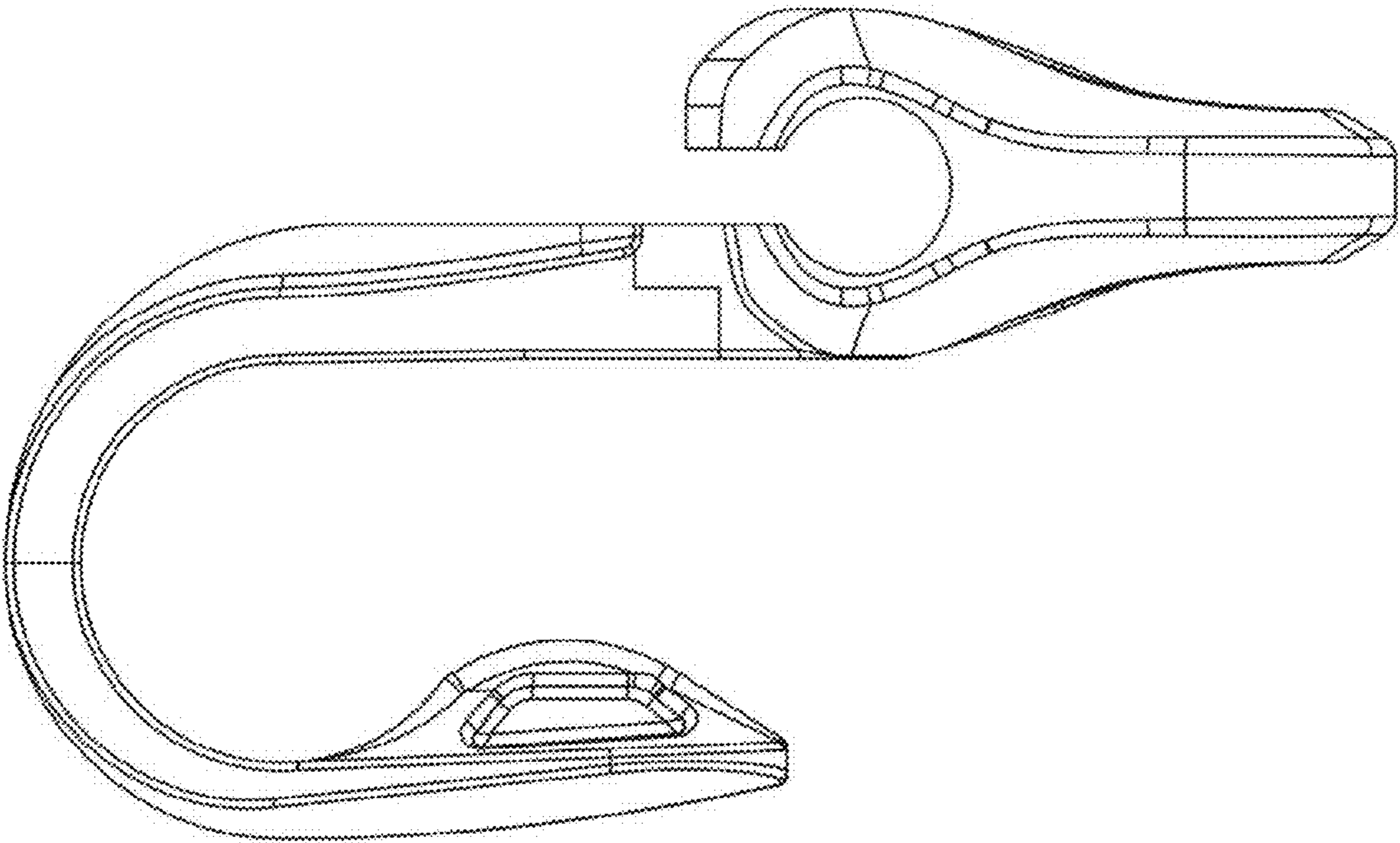


Fig. 5

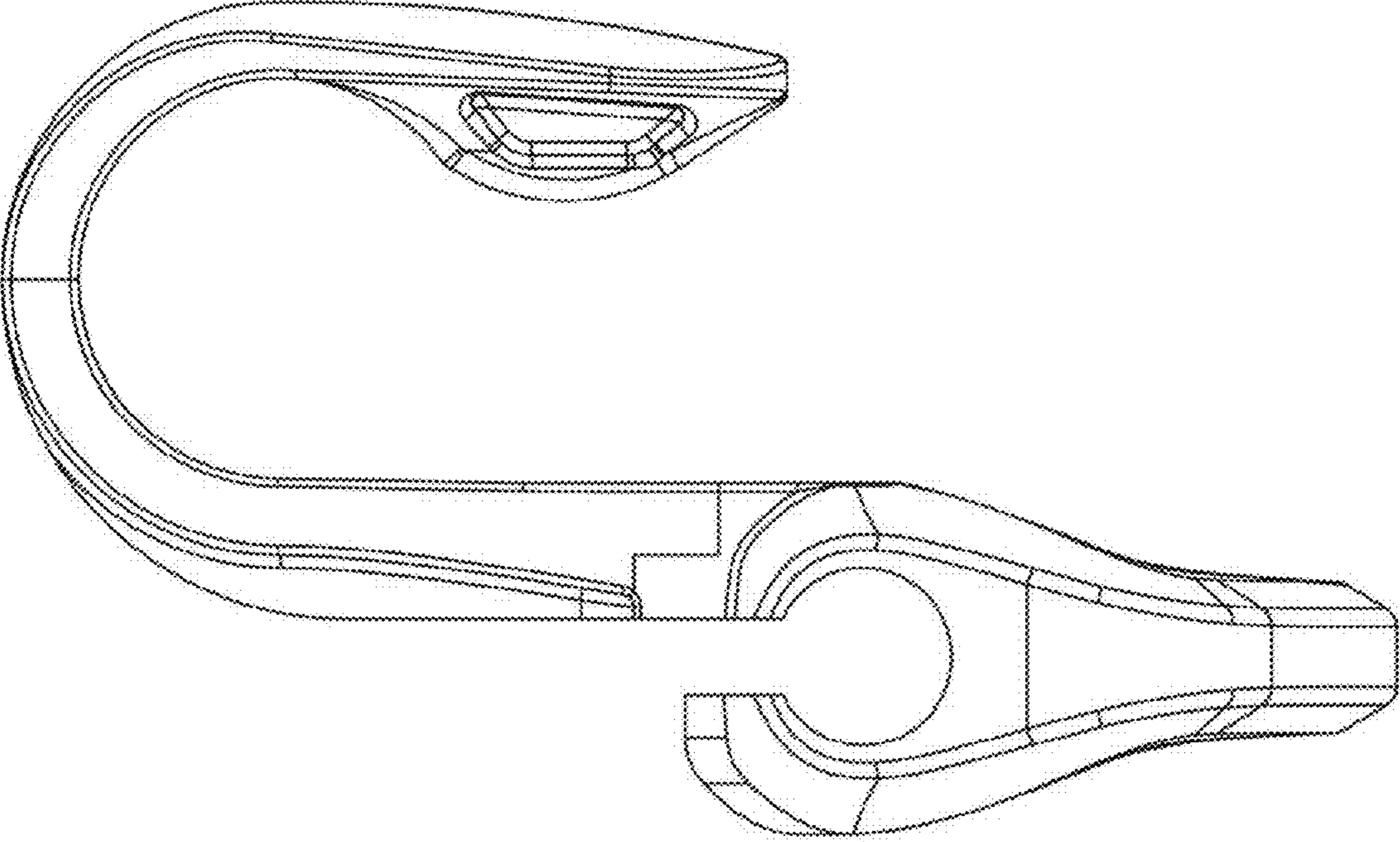


Fig. 6

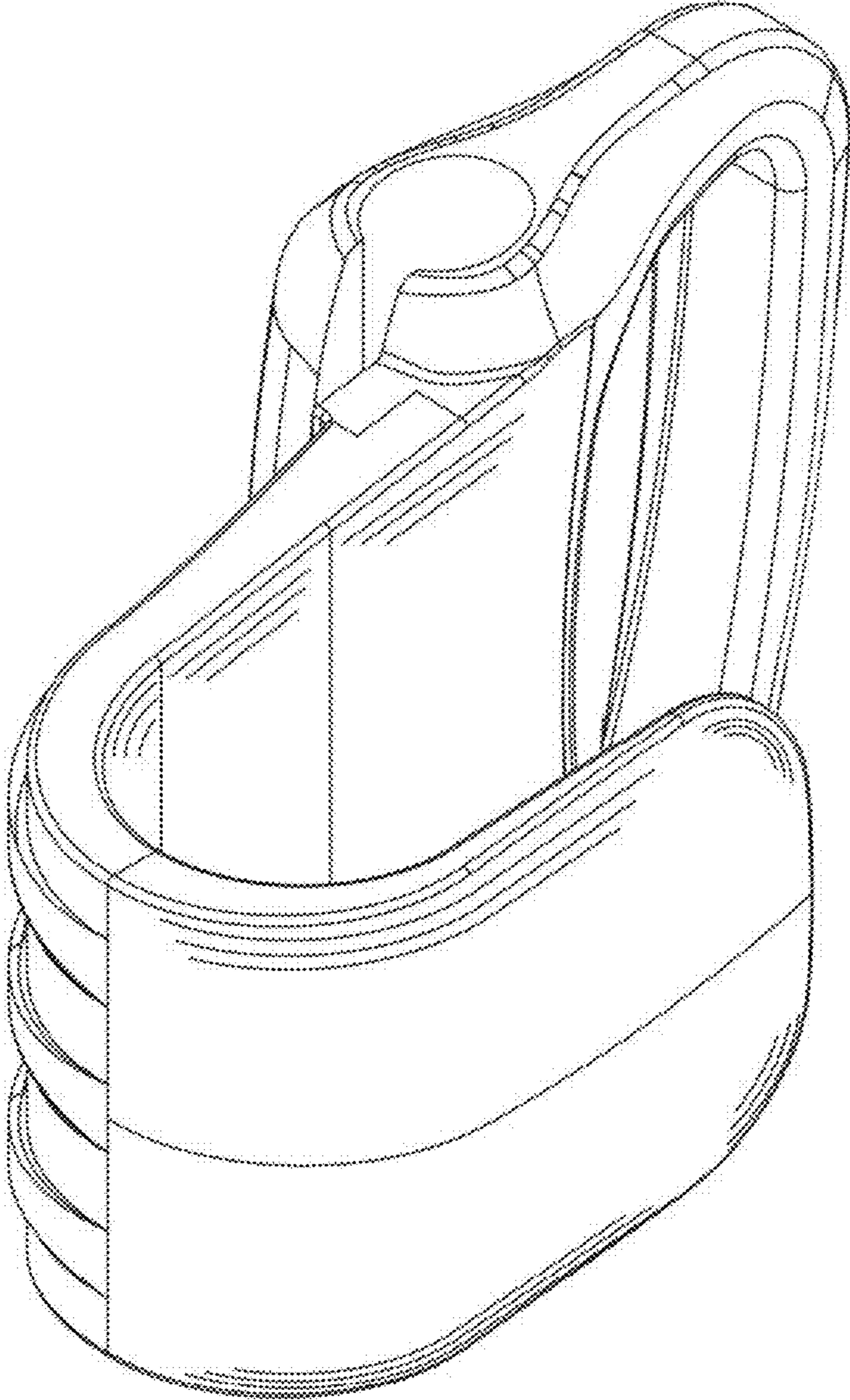


Fig. 7

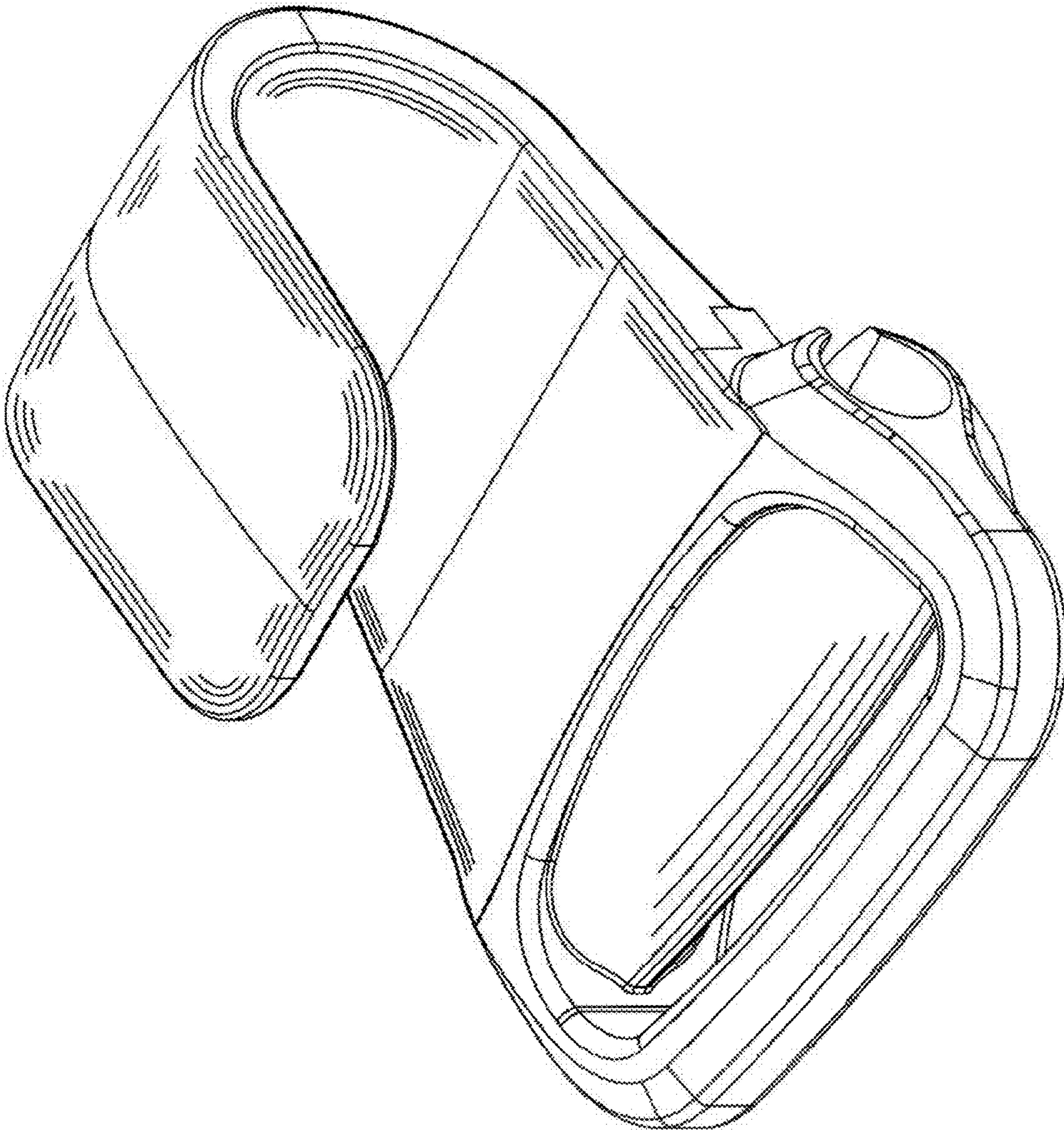


Fig. 8

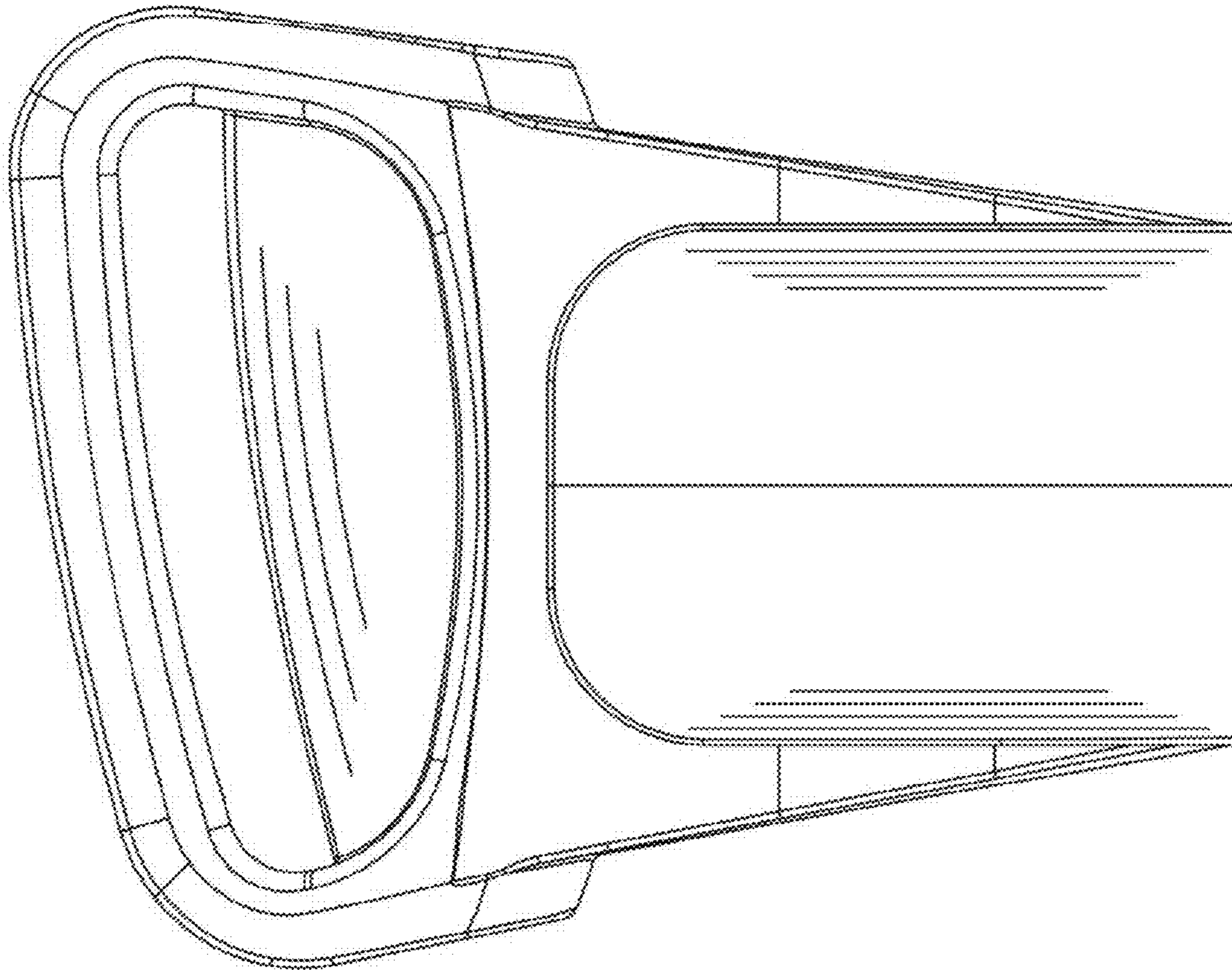


Fig. 9

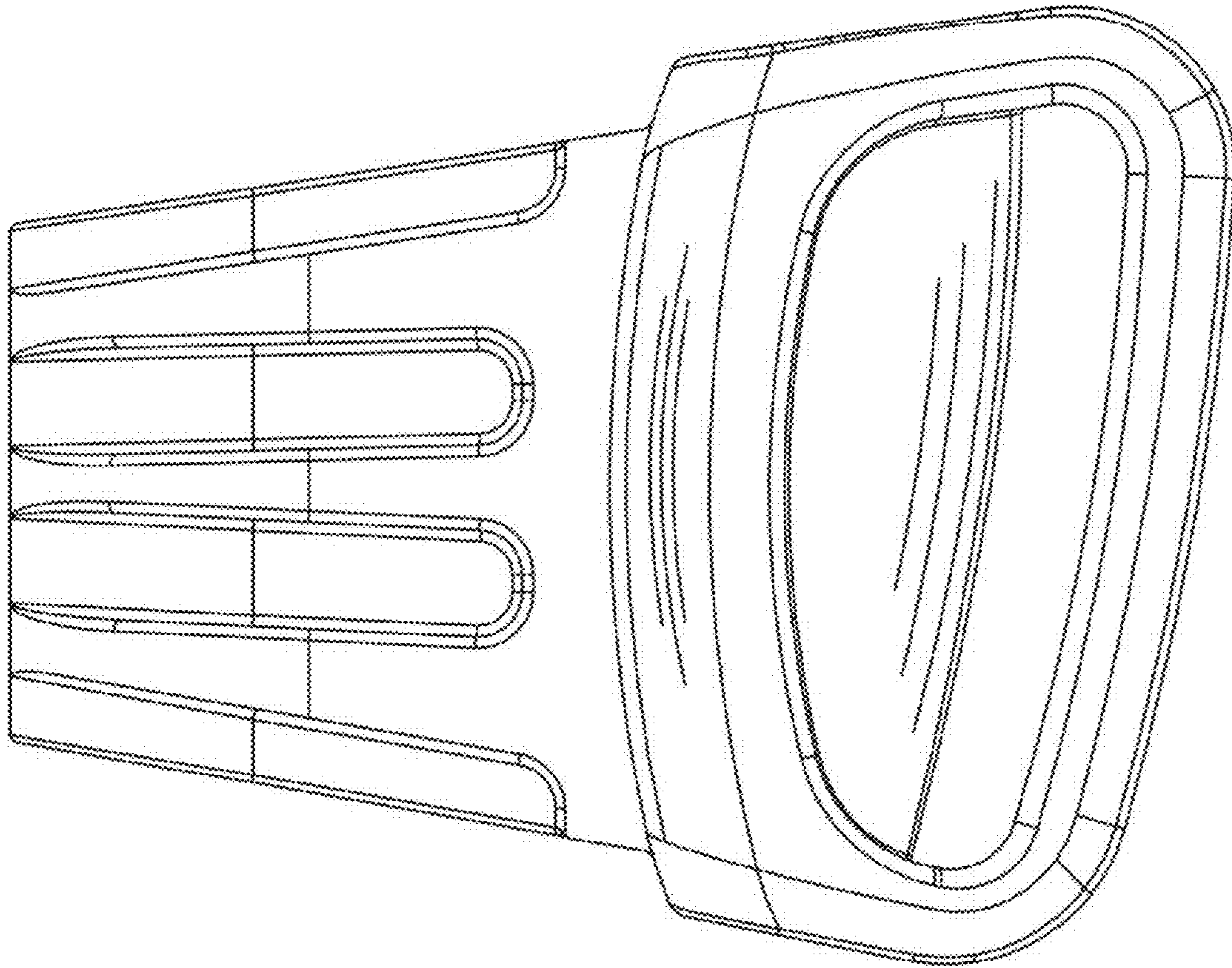


Fig. 10

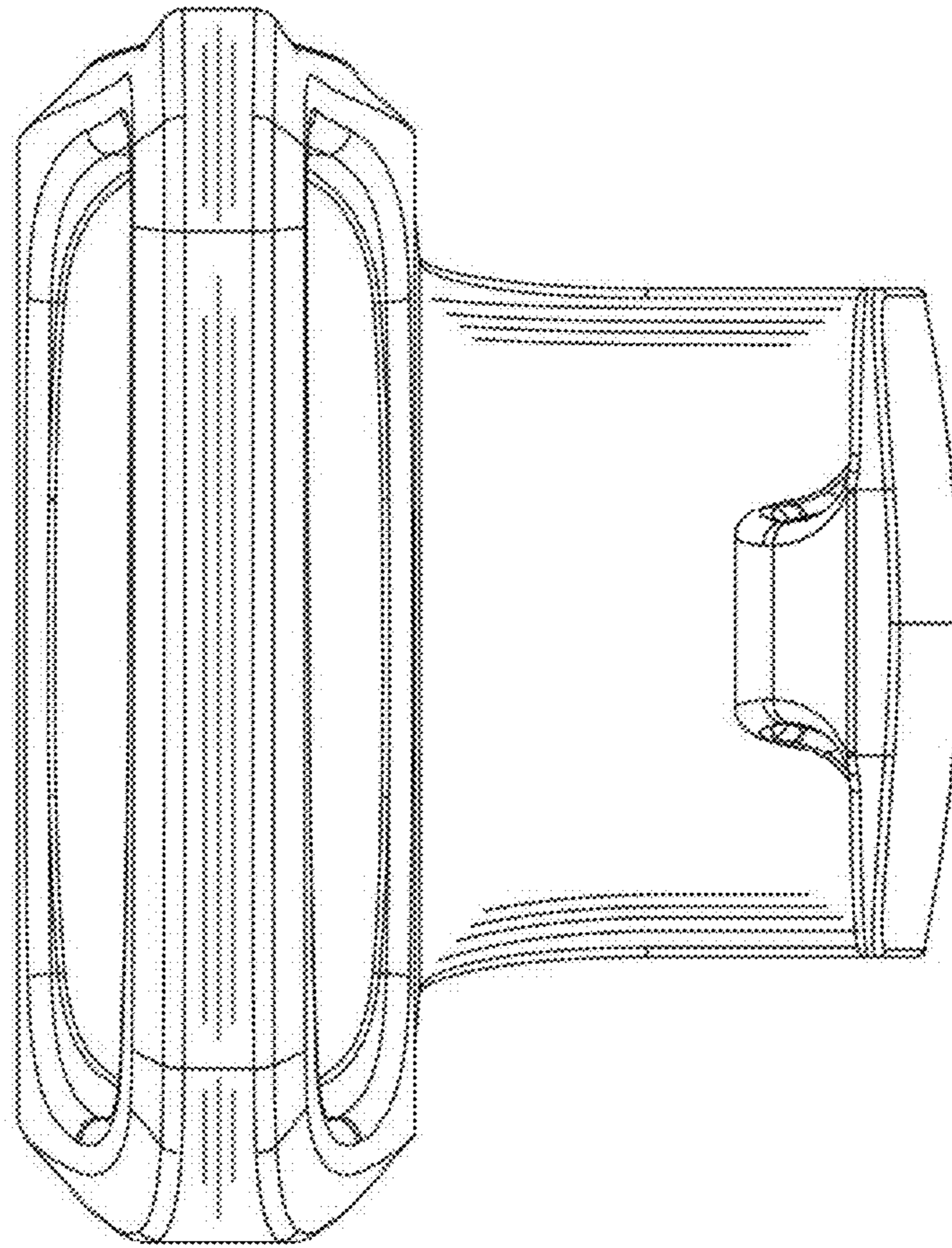


Fig. 11

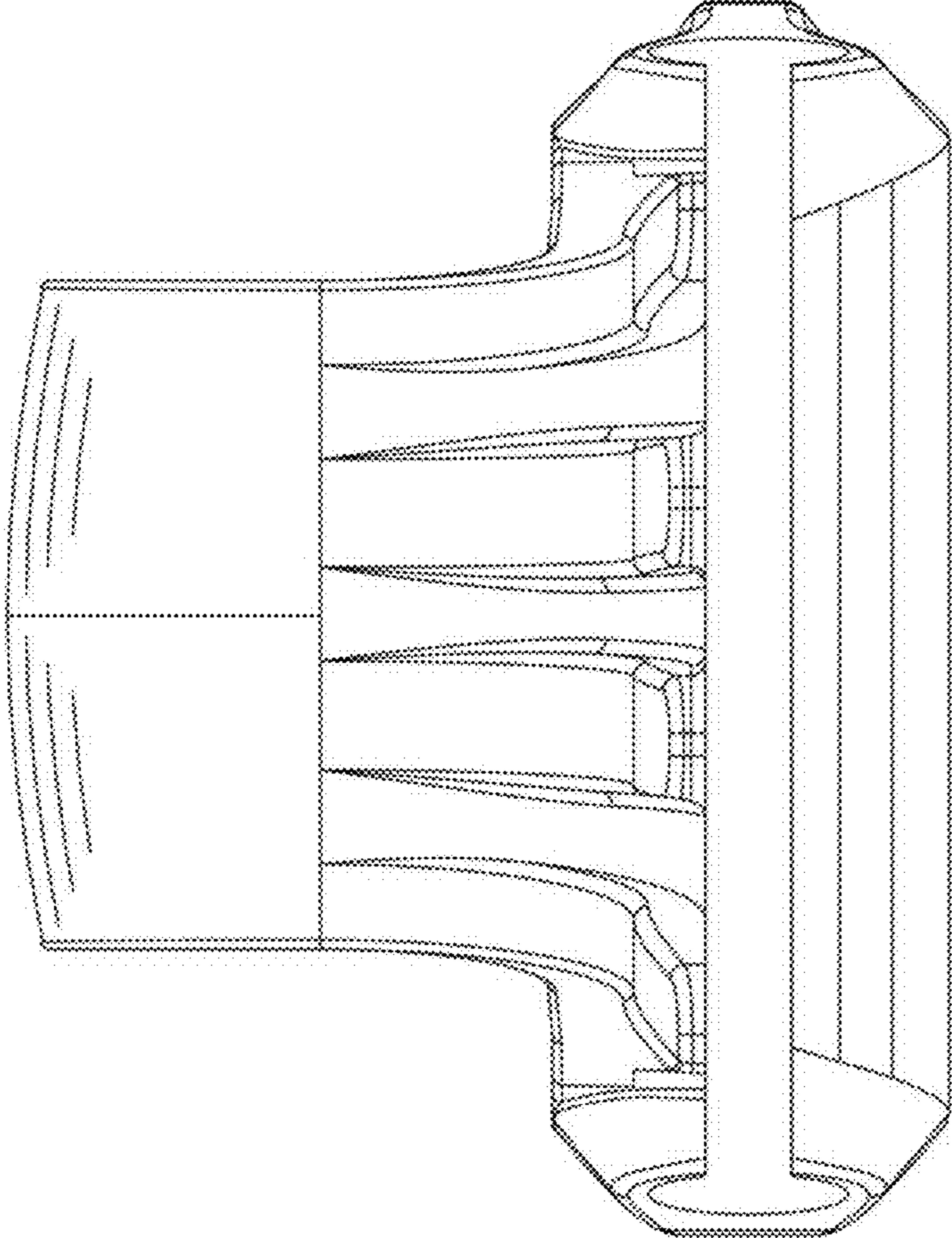


Fig. 12

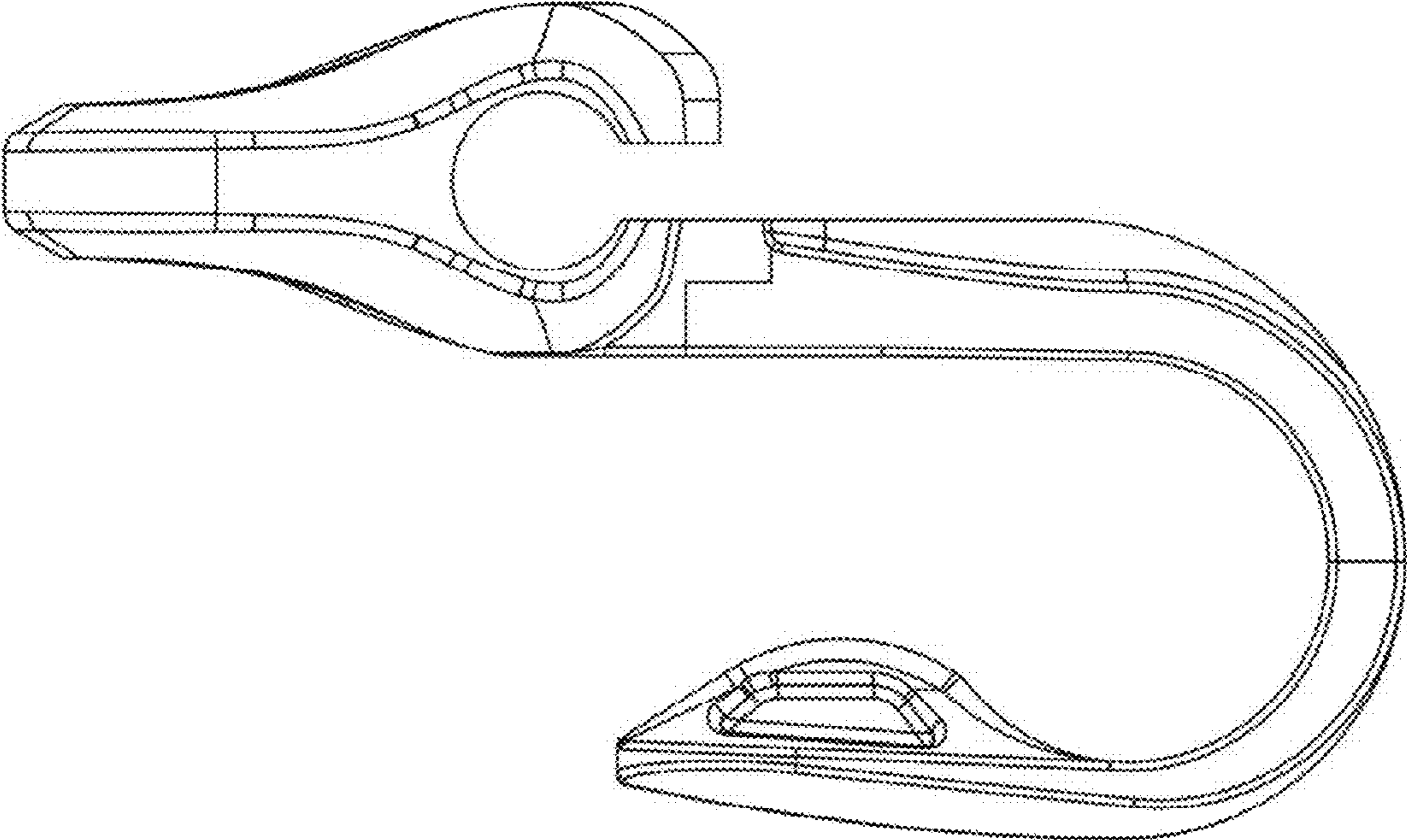


Fig. 13

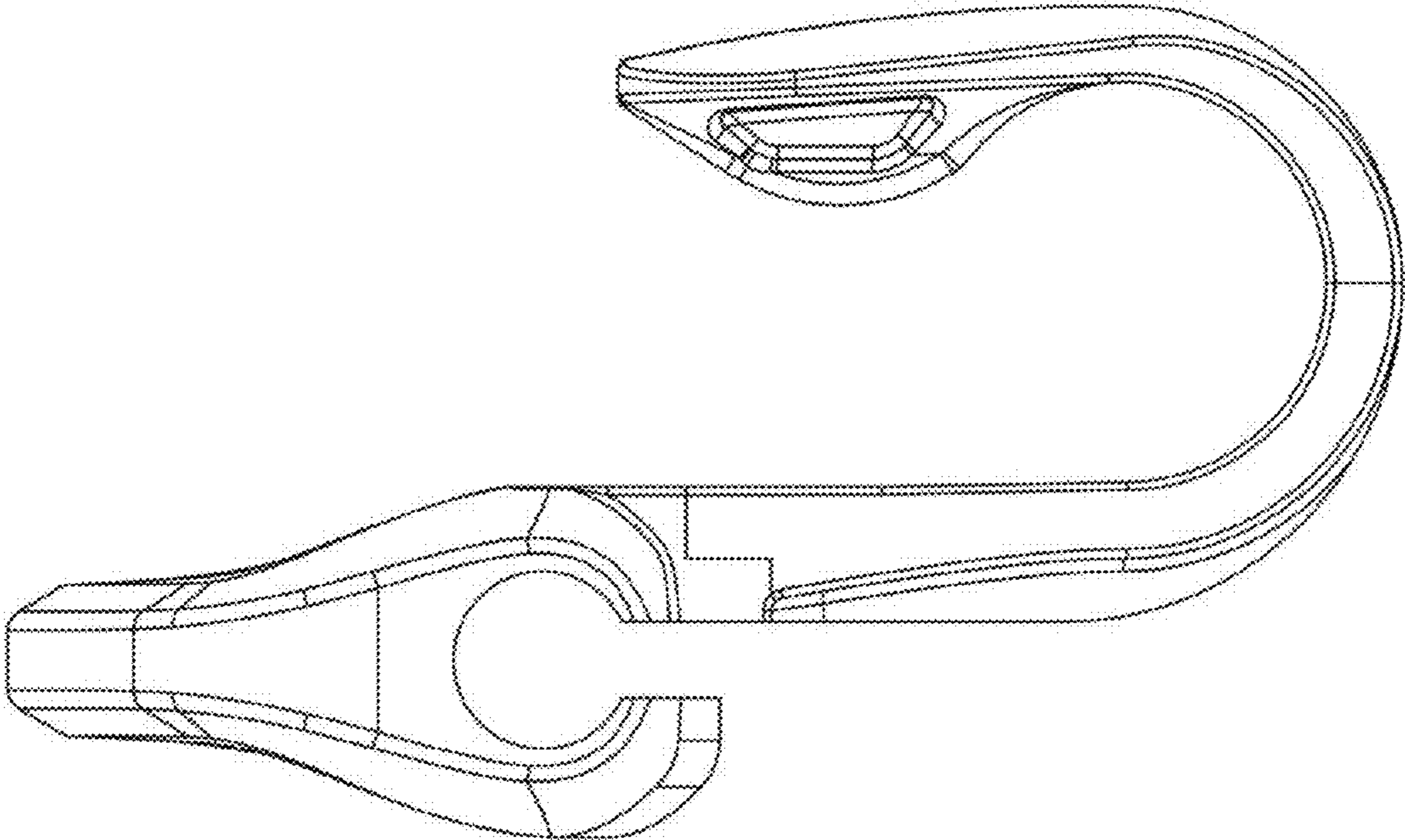


Fig. 14

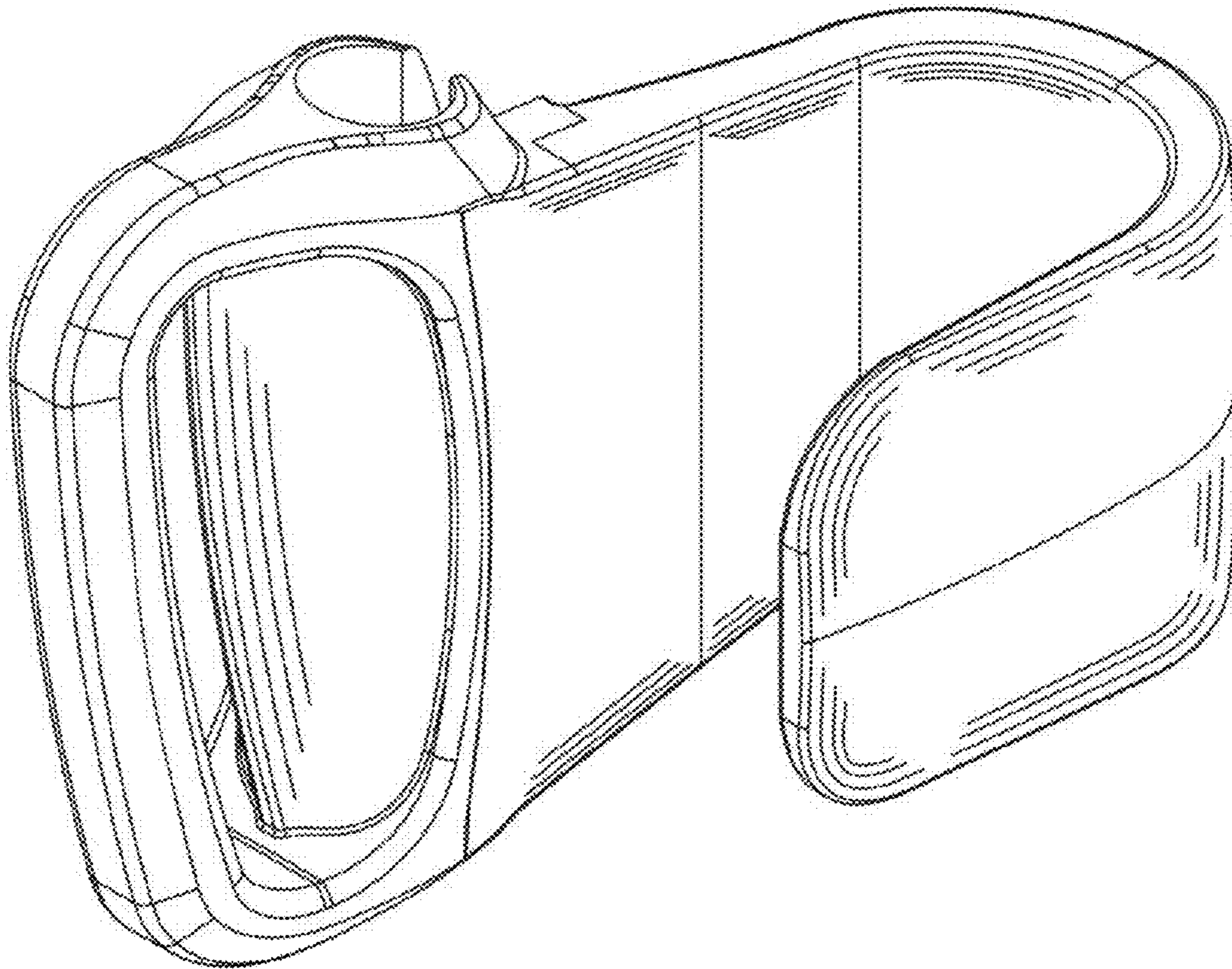


Fig. 15

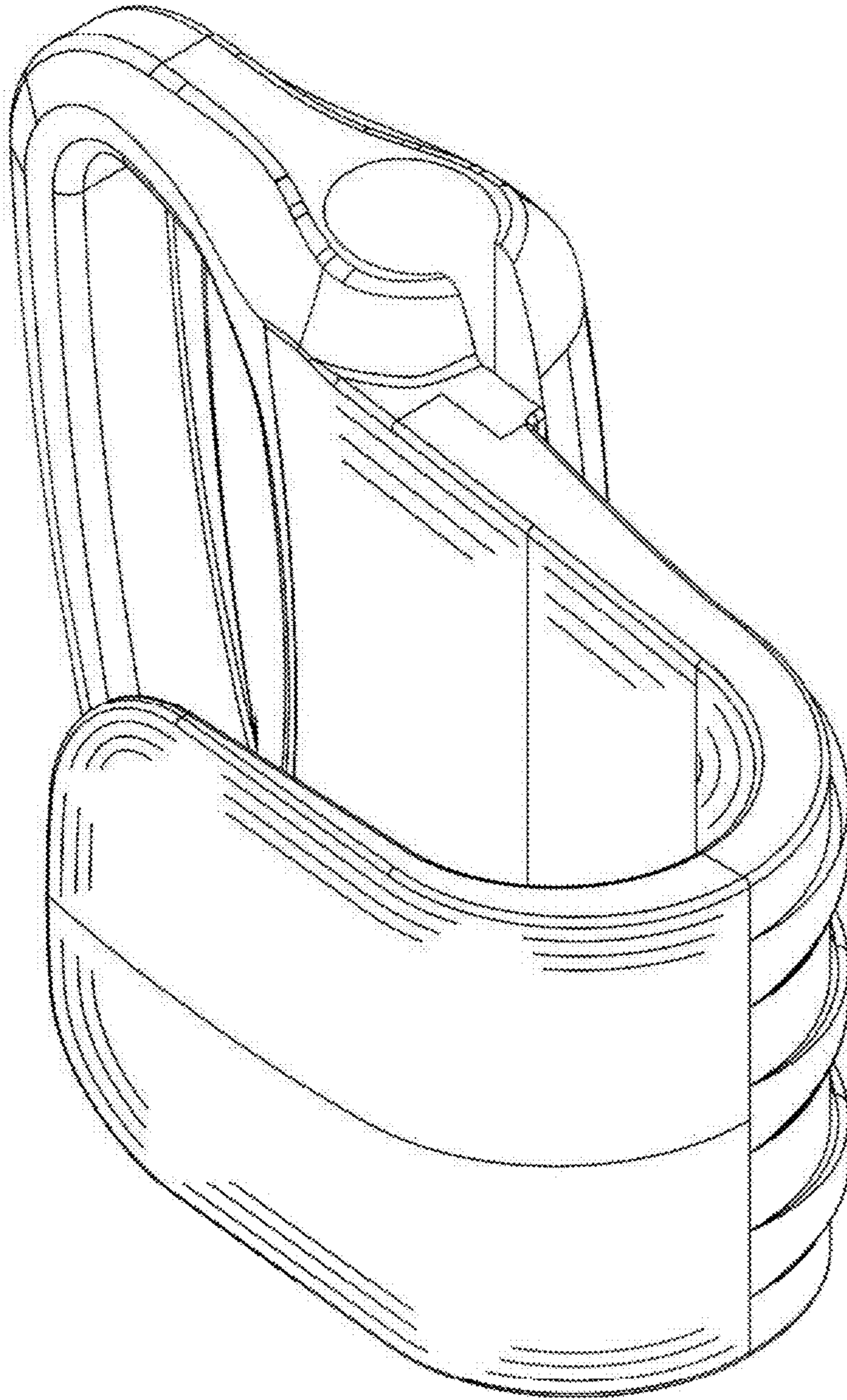


Fig. 16