



US00D757599S

(12) **United States Design Patent**
Davis

(10) **Patent No.:** **US D757,599 S**
(45) **Date of Patent:** **** May 31, 2016**

- (54) **CHAIN LINK**
- (71) Applicant: **Douglas F. L. Davis**, Sayville, NY (US)
- (72) Inventor: **Douglas F. L. Davis**, Sayville, NY (US)
- (**) Term: **14 Years**
- (21) Appl. No.: **29/522,834**
- (22) Filed: **Apr. 2, 2015**
- (51) **LOC (10) Cl.** **11-01**
- (52) **U.S. Cl.**
USPC **D11/93**
- (58) **Field of Classification Search**
USPC D11/1-25, 32, 93, 94; 59/78, 79.2;
63/1.11, 3, 3.1, 3.2, 5.1, 5.2, 7-11;
224/175; D10/30-32
CPC A44C 5/107
See application file for complete search history.

7,690,409 B2 * 4/2010 Pengg B60C 27/10
152/217
D722,913 S * 2/2015 Aagaard D11/93

* cited by examiner

Primary Examiner — Zenia Bennett
(74) *Attorney, Agent, or Firm* — Law Offices of Michael L. Wise, LLC

(57) **CLAIM**
The ornamental design for a chain link, as shown and described.

DESCRIPTION

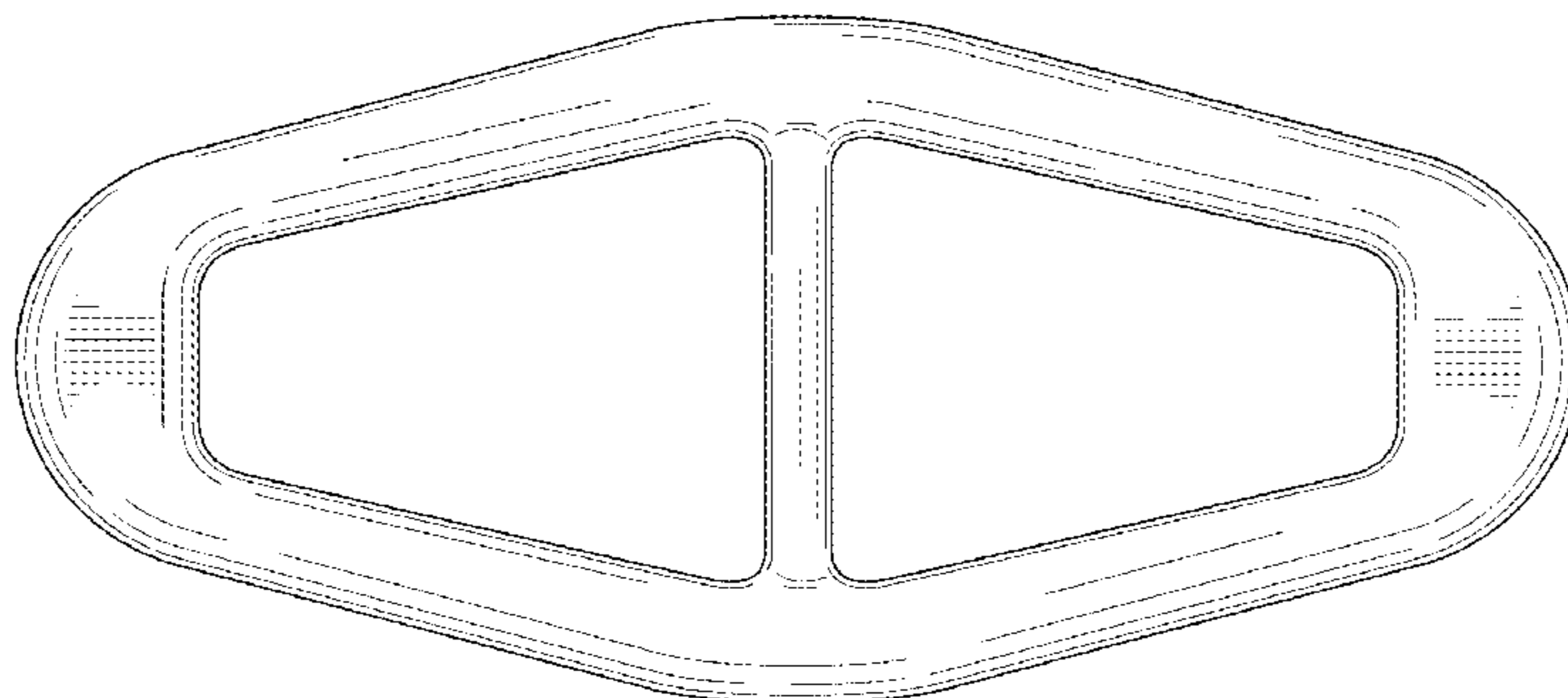
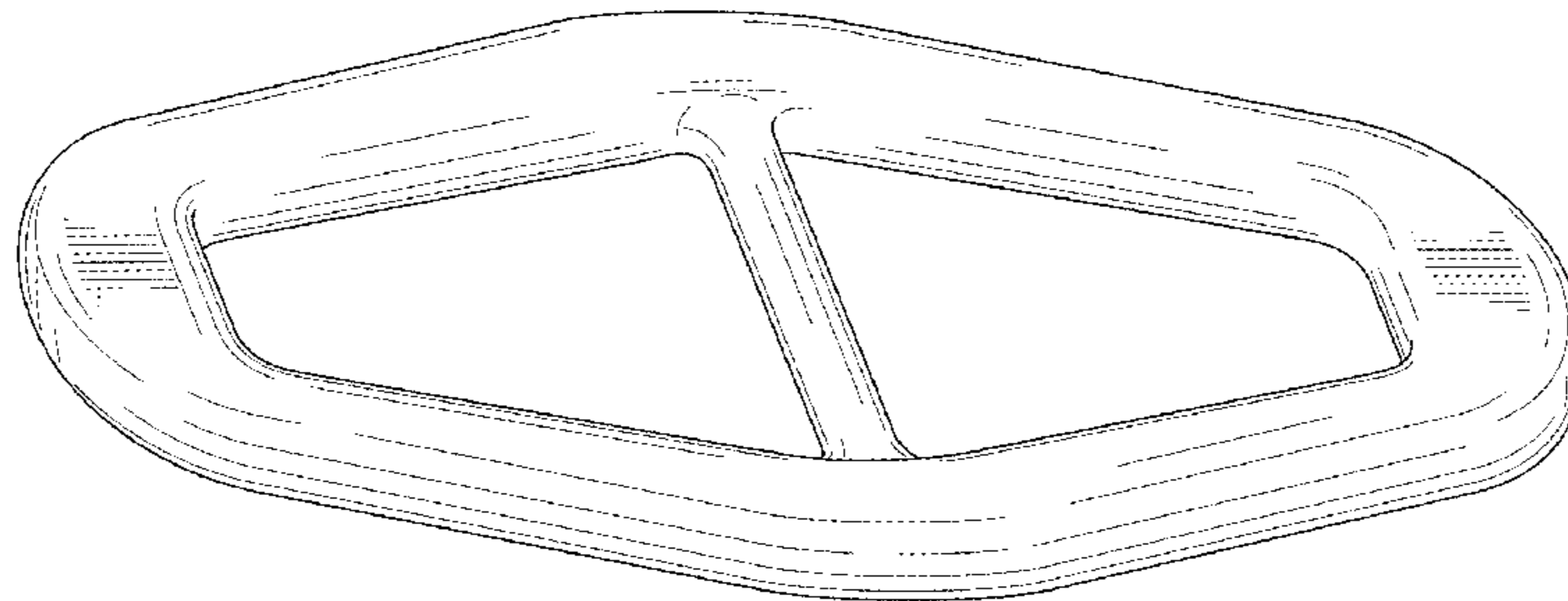
FIG. 1 is a front perspective view of a chain link showing my new design;
FIG. 2 is a front elevational view thereof;
FIG. 3 is a rear elevational view thereof;
FIG. 4 is a top elevational view thereof;
FIG. 5 is a bottom elevational view thereof;
FIG. 6 is a left elevational view thereof;
FIG. 7 is a right elevational view thereof; and,
FIG. 8 is a front perspective view thereof with the chain link embodied in a chain.
Articles shown with broken lines in the drawings form no part of the design to be patented.

(56) **References Cited**

U.S. PATENT DOCUMENTS

- 1,431,442 A 10/1922 Cowles
- D405,352 S * 2/1999 Rosenbauer D8/382
- 6,871,486 B2 * 3/2005 Moehnke F16G 13/12
59/78
- 6,889,734 B2 * 5/2005 Deger B60C 27/10
152/213 A

1 Claim, 5 Drawing Sheets



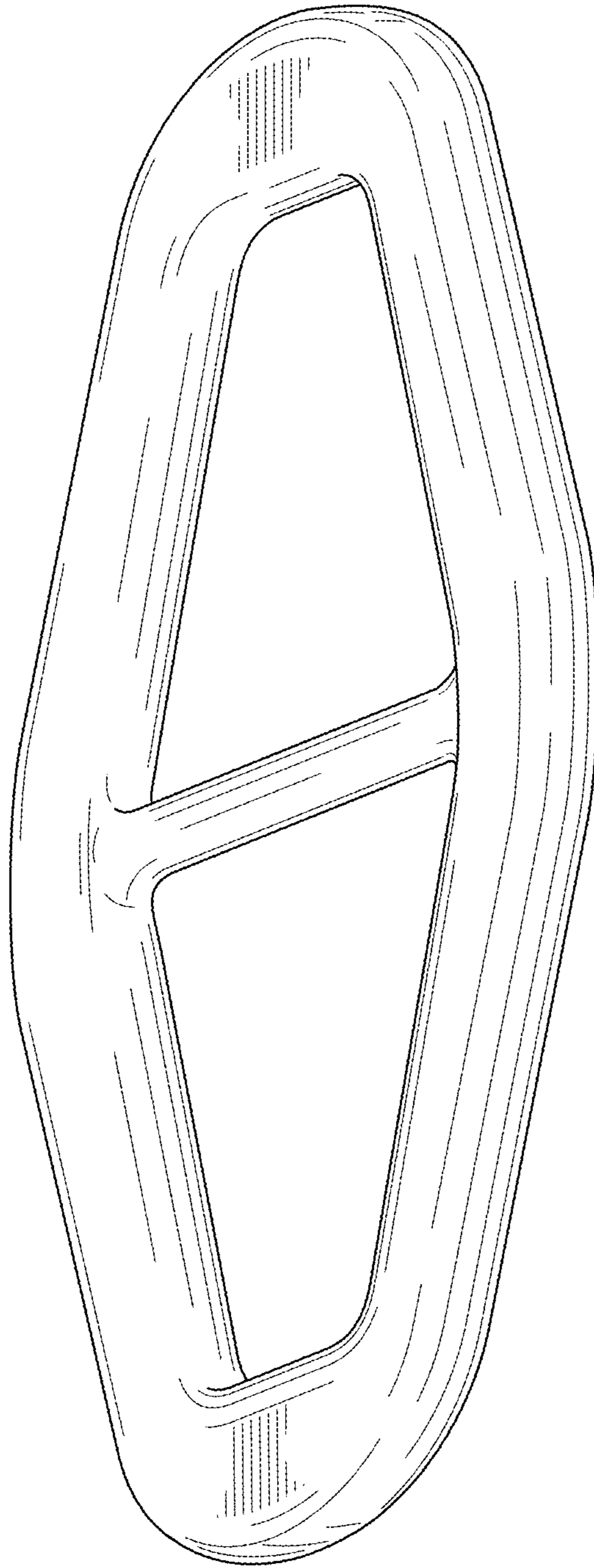


FIG. 1

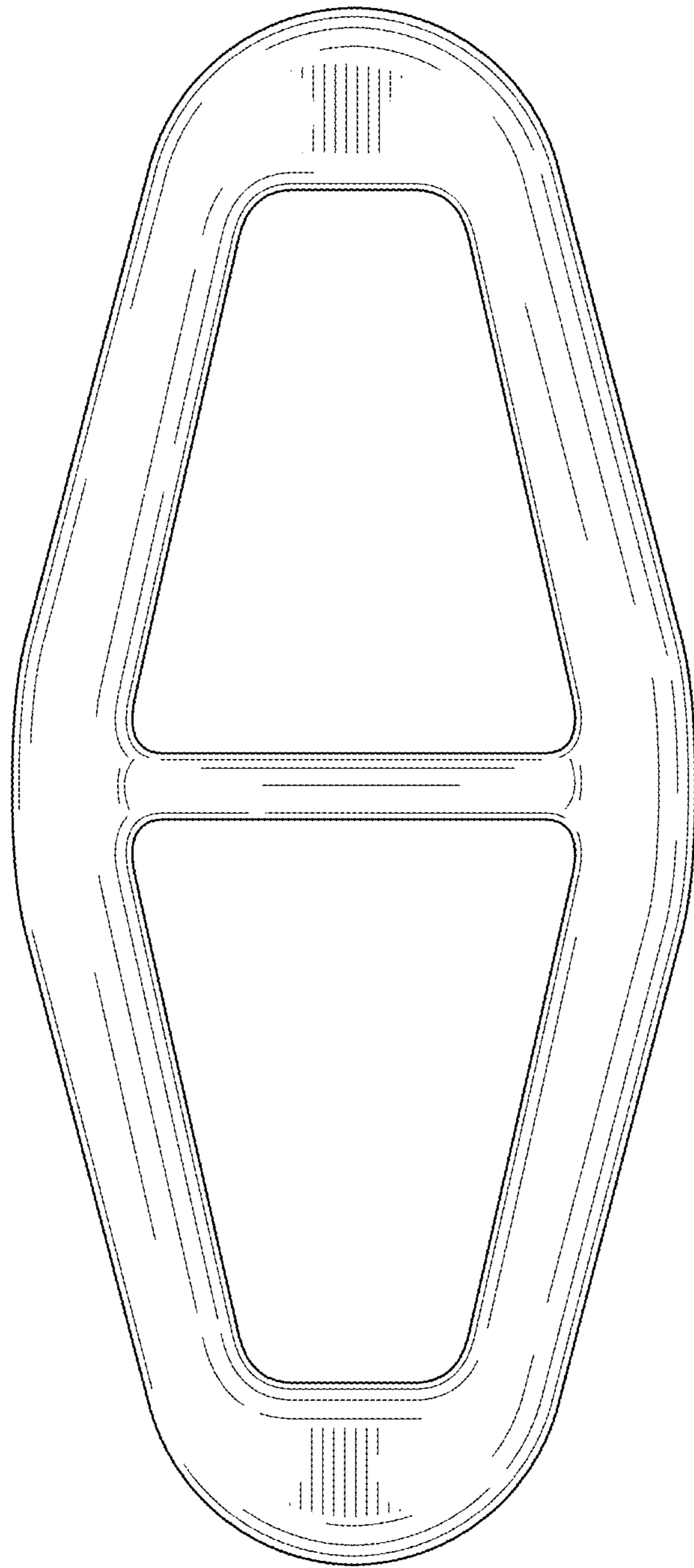


FIG. 2

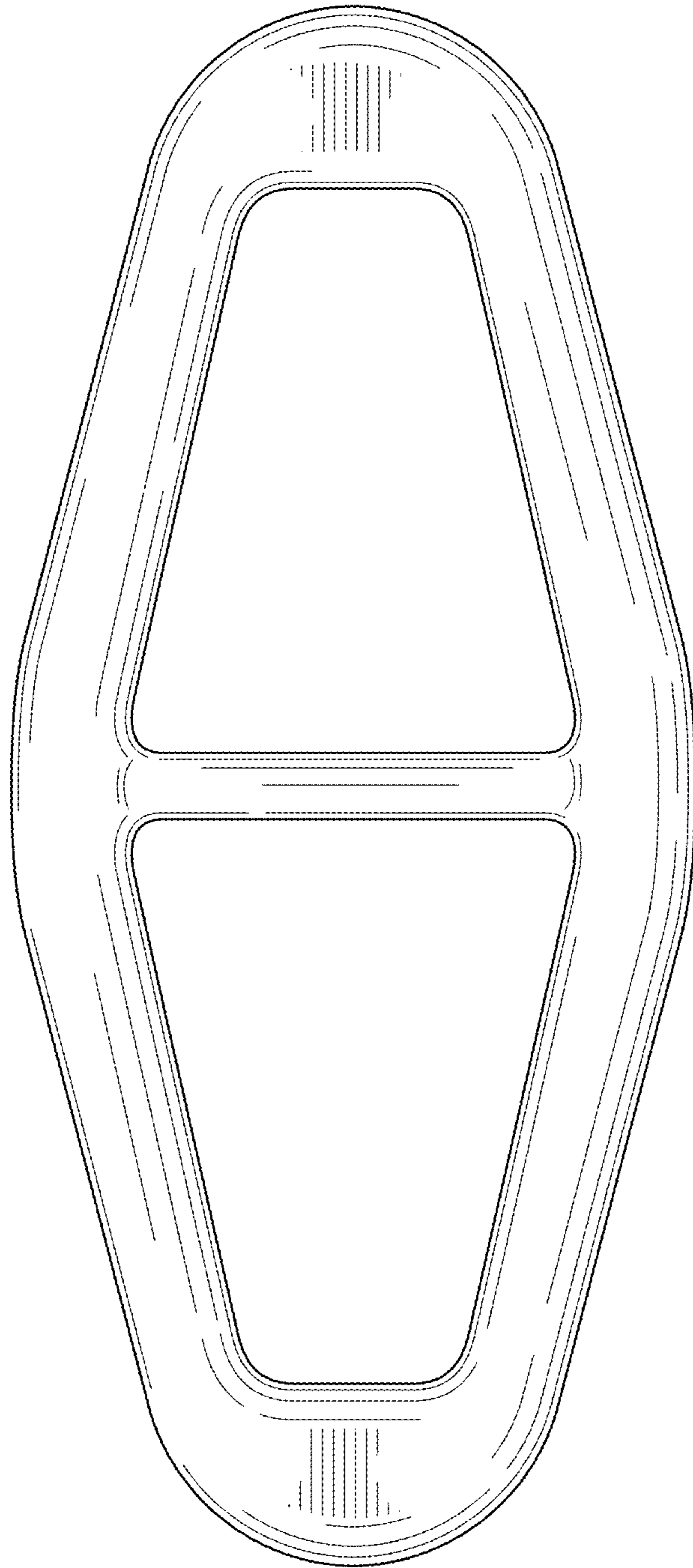


FIG. 3

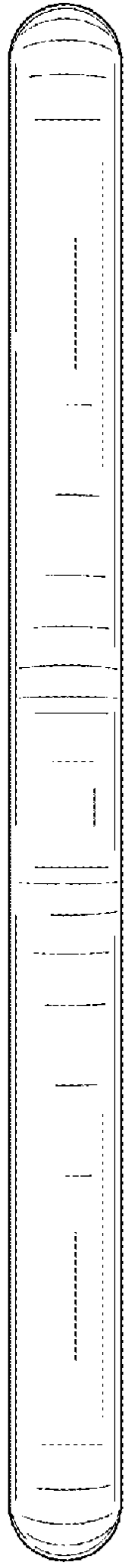


FIG. 4

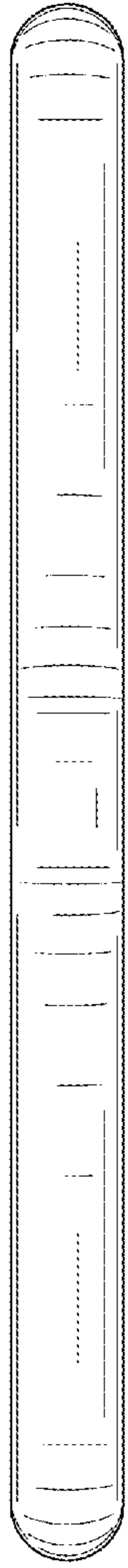


FIG. 5

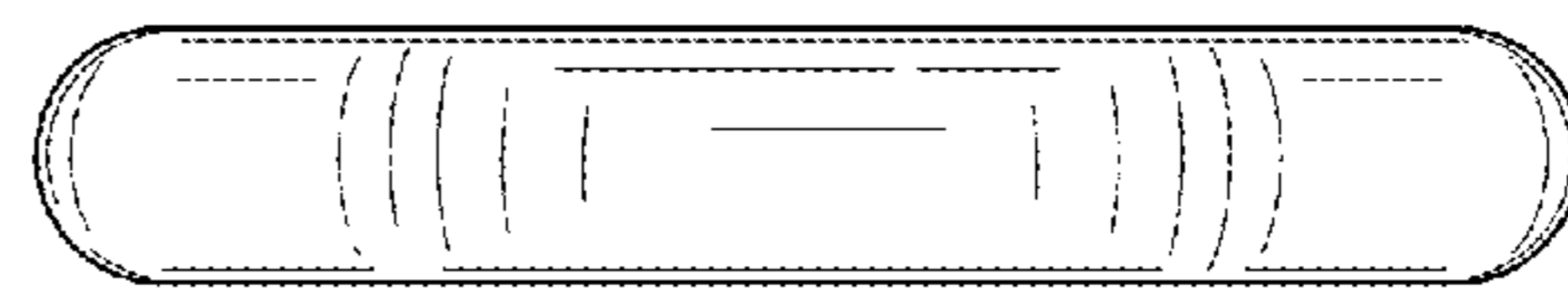


FIG. 6

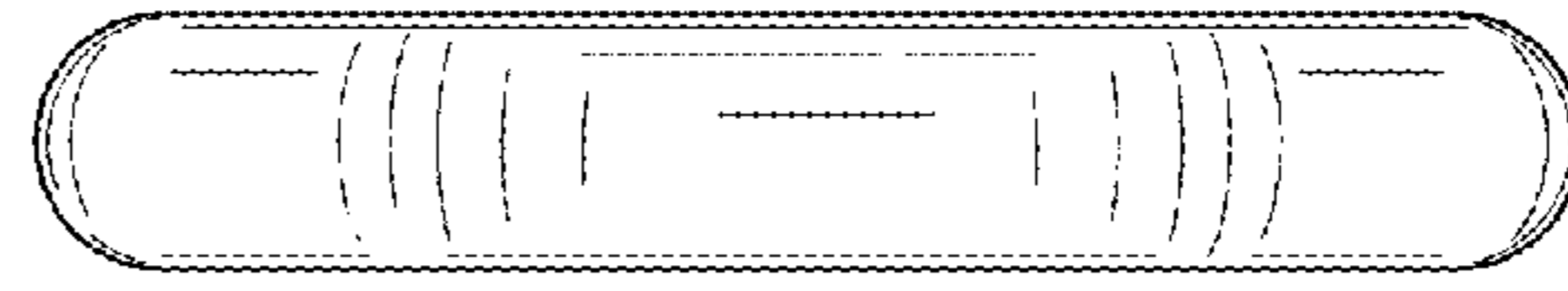


FIG. 7

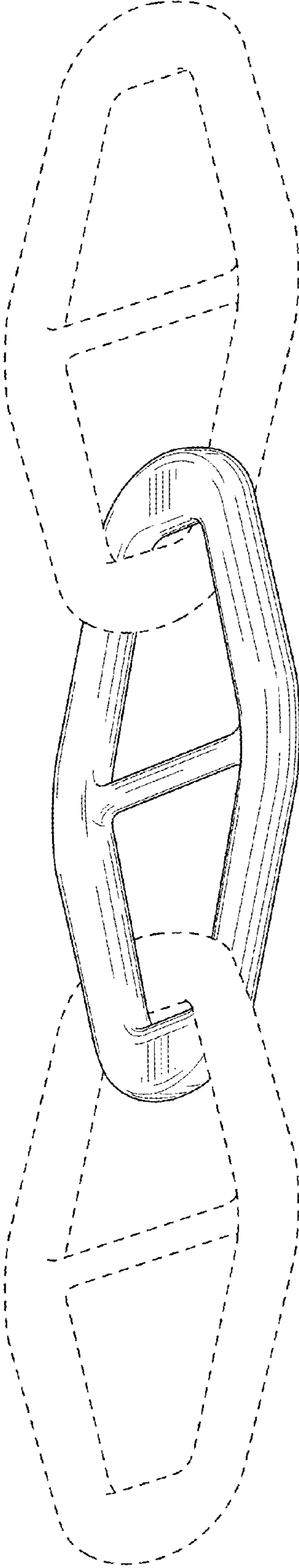


FIG. 8