

US00D757592S

(12) **United States Design Patent**  
**Martensson et al.**

(10) **Patent No.:** **US D757,592 S**

(45) **Date of Patent:** **\*\* May 31, 2016**

(54) **JEWELRY ITEM**

(71) Applicant: **Tiffany and Company**, New York, NY  
(US)

(72) Inventors: **Nina Martensson**, Juoksengi (SE); **Cary James**, Long Island City, NY (US)

(73) Assignee: **Tiffany and Company**, New York, NY  
(US)

(\*\*) Term: **14 Years**

(21) Appl. No.: **29/502,733**

(22) Filed: **Sep. 18, 2014**

(51) **LOC (10) Cl.** ..... **02-07**

(52) **U.S. Cl.**  
USPC ..... **D11/4**

(58) **Field of Classification Search**  
USPC ..... D11/200–217, 222–230, 30, 3, 4, 26,  
D11/27; 24/41.1–48, 66.4–66.6, 97, 100,  
24/101 R, 102 PL; 63/20; D8/382–383;  
362/103  
CPC ..... A44C 1/00; A43B 1/0036; A44B 5/00;  
A44B 19/24; A44B 5/02; A44B 6/00; A44B  
5/002; A44B 3/02; A41F 17/00; F16G 11/00  
See application file for complete search history.

(56) **References Cited**

**U.S. PATENT DOCUMENTS**

D372,879 S \* 8/1996 Partridge ..... D11/4  
D440,516 S \* 4/2001 Siemon ..... D11/26  
D479,488 S \* 9/2003 Stewart-Stand ..... D11/226  
D533,802 S \* 12/2006 Thompson ..... D11/27  
D561,643 S \* 2/2008 Bruni ..... D11/222  
D565,450 S \* 4/2008 Lebail ..... D11/27

D567,143 S \* 4/2008 Nicol ..... D11/222  
D704,088 S \* 5/2014 Farris ..... D11/26  
D718,171 S \* 11/2014 Fakesch ..... D11/3

\* cited by examiner

*Primary Examiner* — T. Chase Nelson  
*Assistant Examiner* — Mark Cavanna  
(74) *Attorney, Agent, or Firm* — Fross Zelnick Lehrman &  
Zissu, P.C.; Charles T. J. Weigell, Esq.

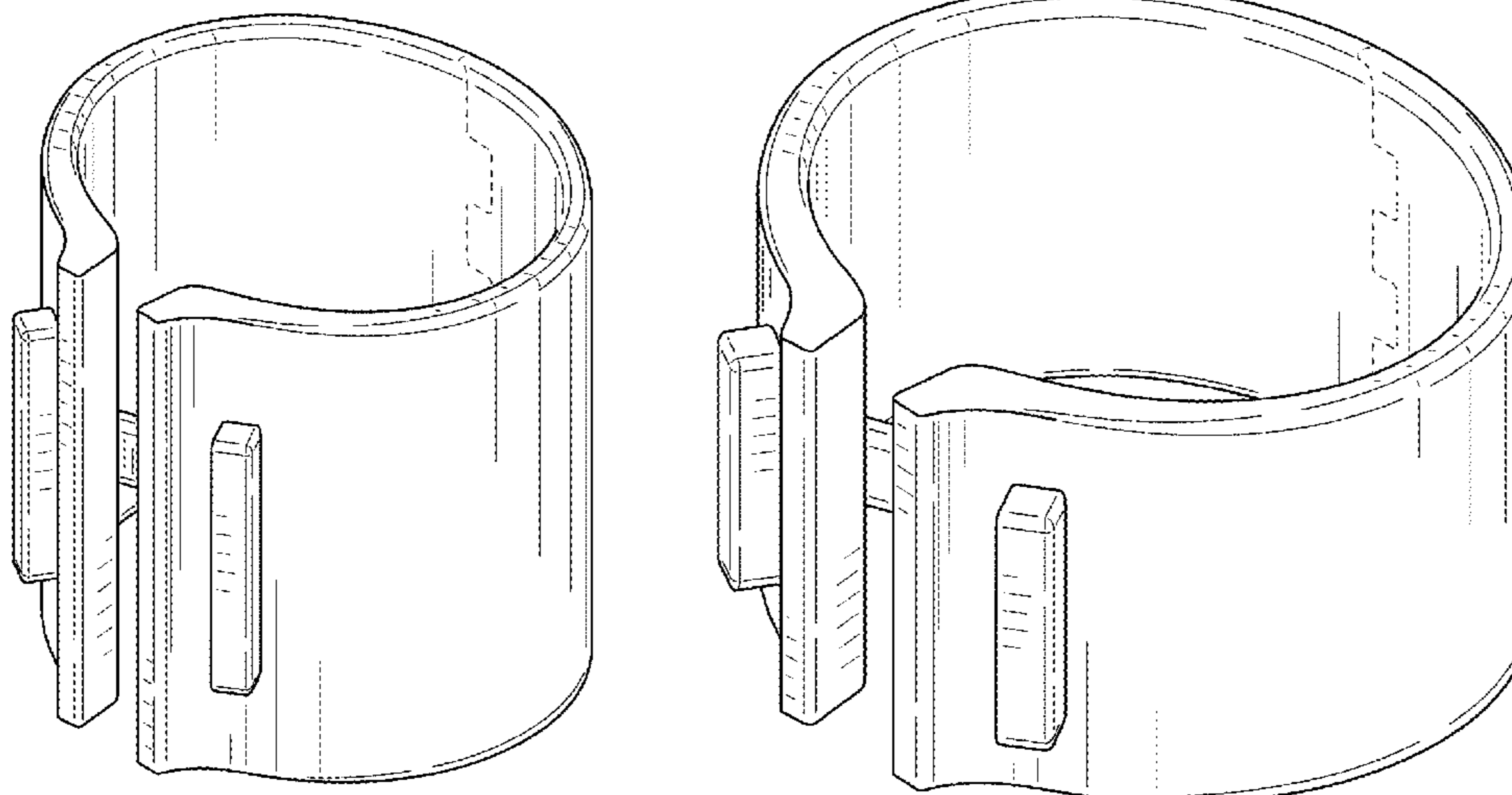
(57) **CLAIM**

The ornamental design for a jewelry item, as shown and described.

**DESCRIPTION**

FIG. 1 is a front perspective view of a jewelry item showing my new design;  
FIG. 2 is a front view of the jewelry item shown in FIG. 1;  
FIG. 3 is a rear view of the jewelry item shown in FIG. 1;  
FIG. 4 is a left side view of the jewelry item shown in FIG. 1;  
FIG. 5 is a right side view of the jewelry item shown in FIG. 1;  
FIG. 6 is a top view of the jewelry item shown in FIG. 1;  
FIG. 7 is a bottom view of the jewelry item shown in FIG. 1;  
FIG. 8 is a bottom perspective view of the jewelry item shown in FIG. 1;  
FIG. 9 is a front perspective view of an alternative embodiment of the jewelry item shown in FIG. 1;  
FIG. 10 is a front view thereof;  
FIG. 11 is a rear view thereof;  
FIG. 12 is a left side view thereof;  
FIG. 13 is a right side view thereof;  
FIG. 14 is a top view thereof;  
FIG. 15 is a bottom view thereof; and,  
FIG. 16 is a bottom perspective view thereof.  
The broken line depicting the hinge and pin shows unclaimed subject matter.

**1 Claim, 10 Drawing Sheets**



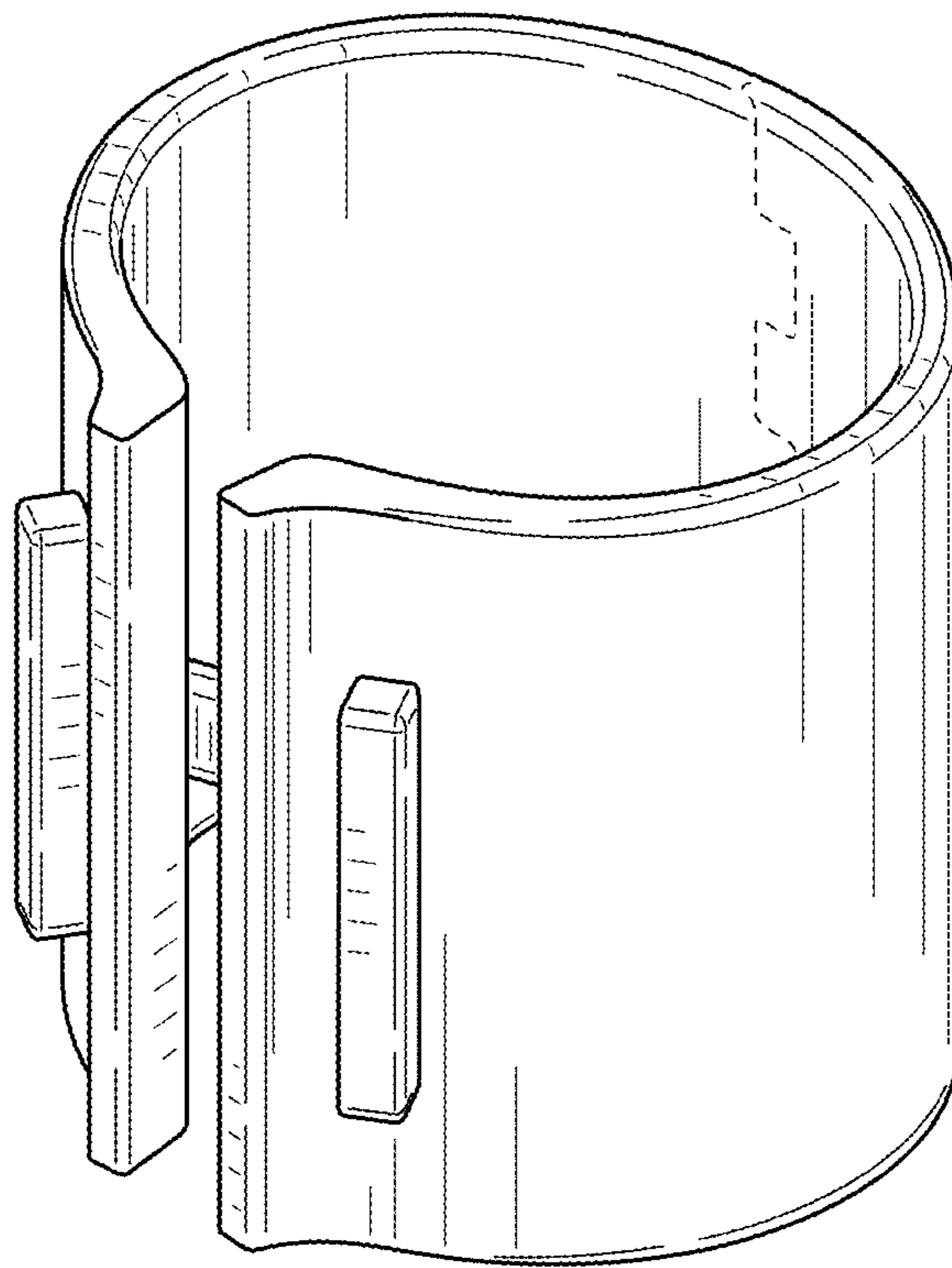


FIG. 1

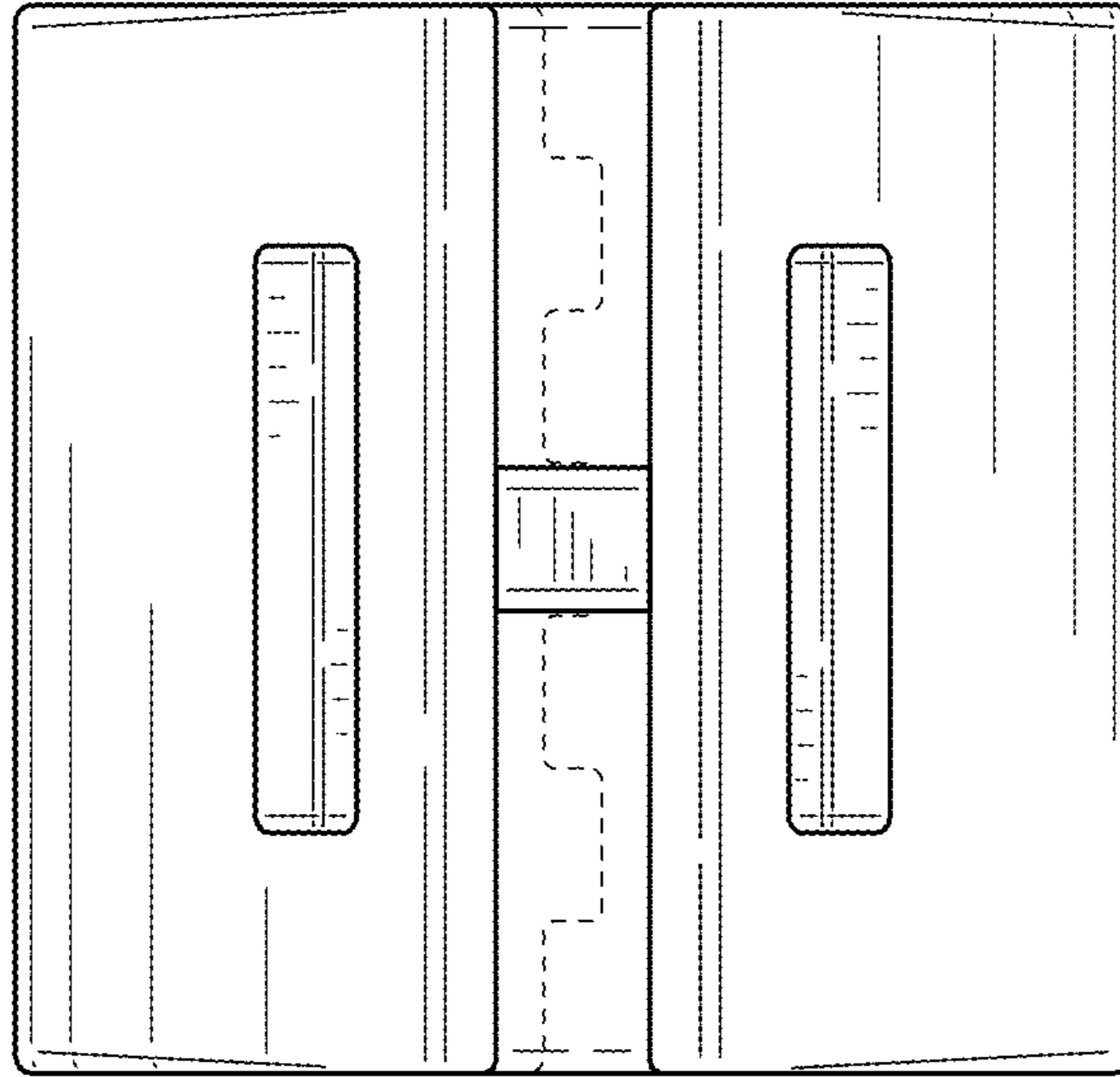


FIG. 2

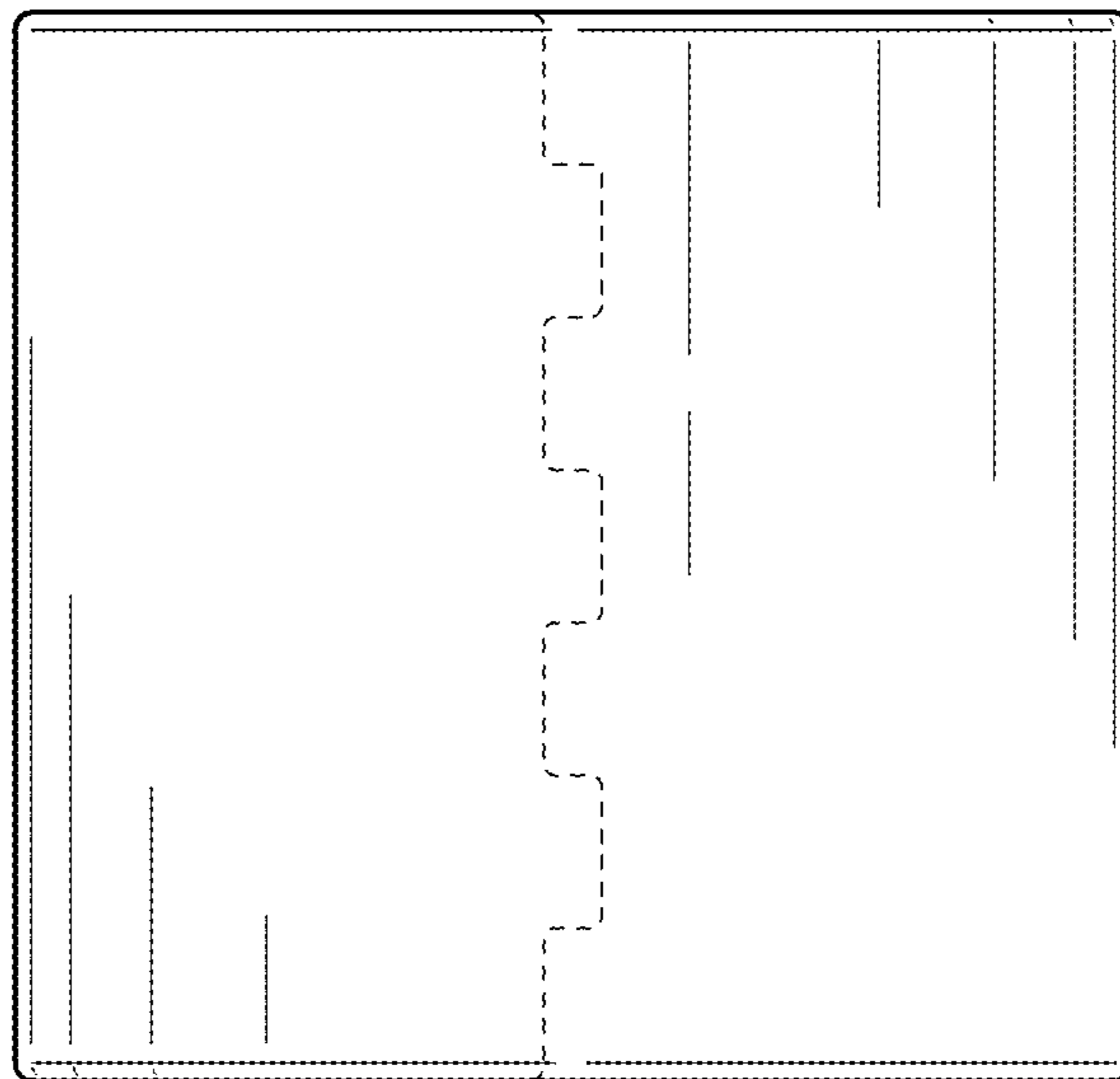


FIG. 3

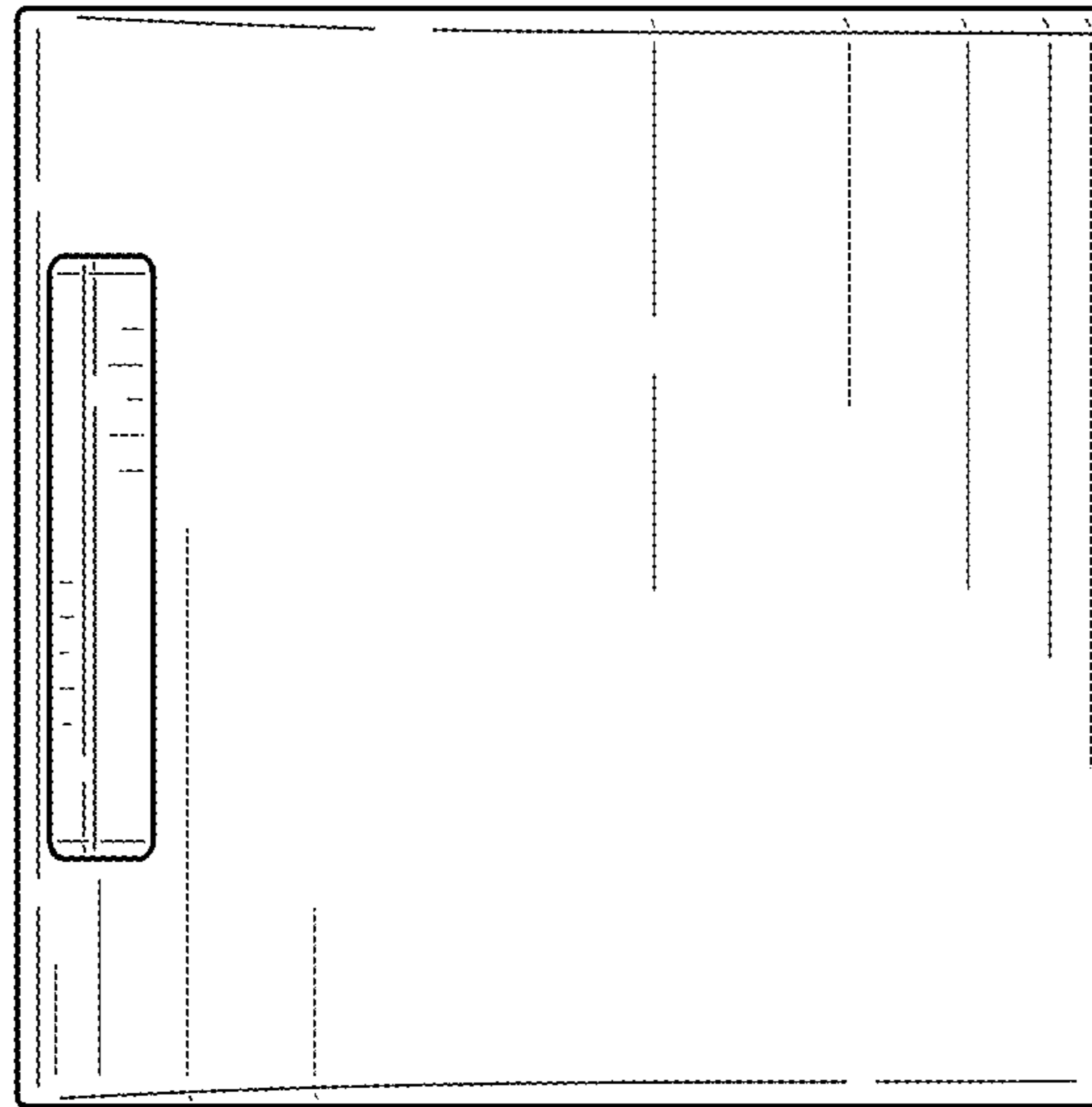


FIG. 4

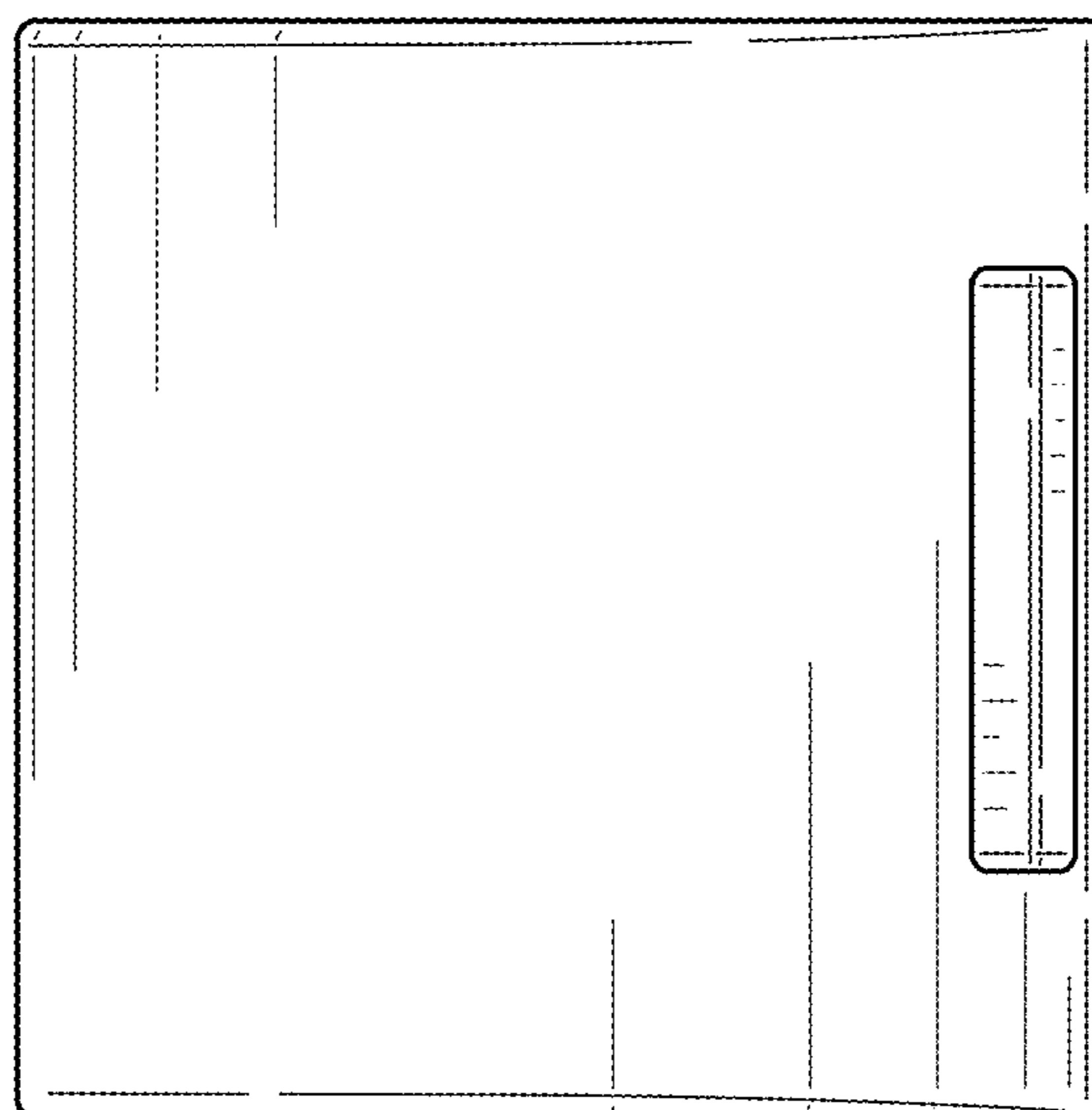


FIG. 5

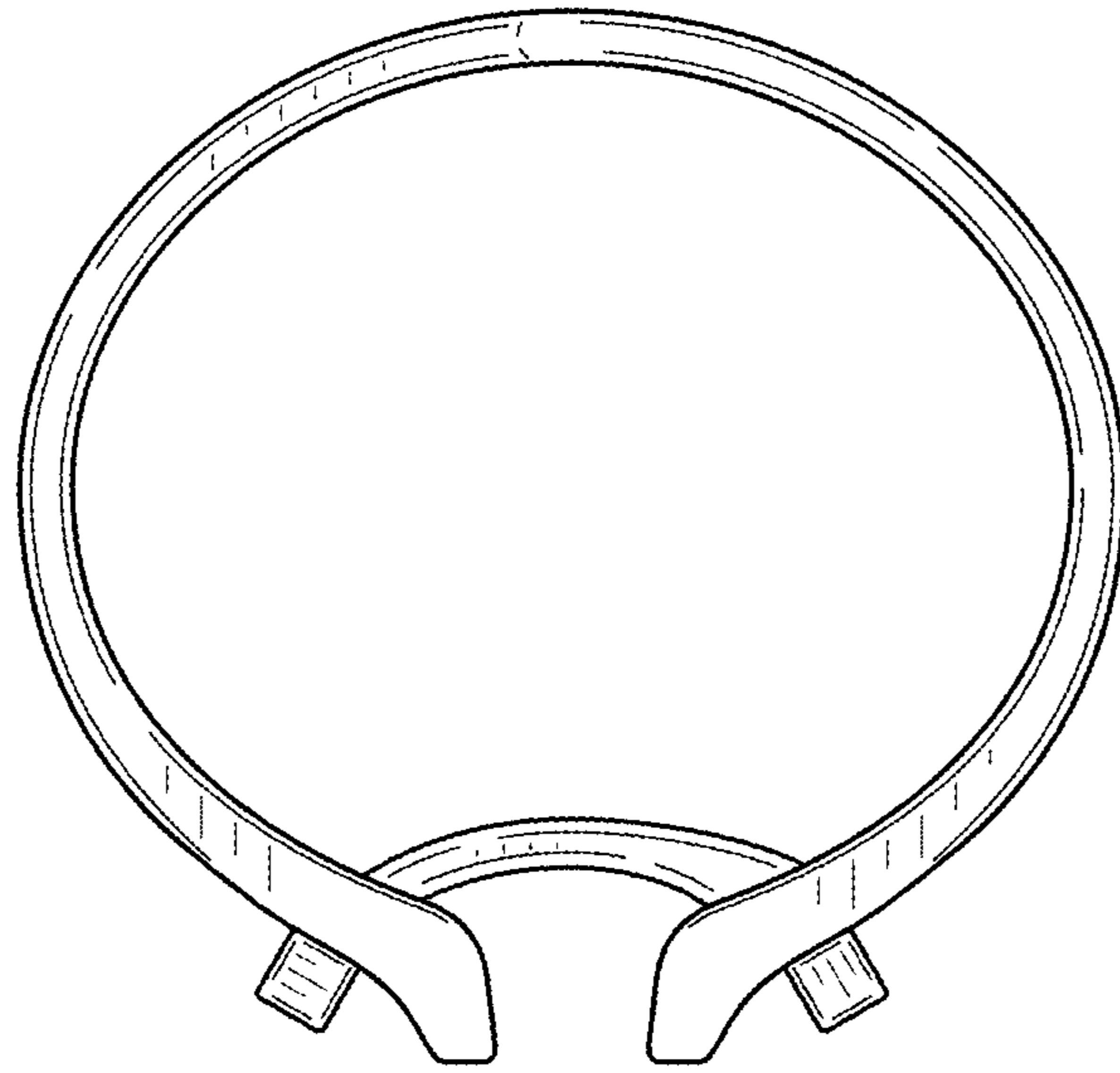


FIG. 6

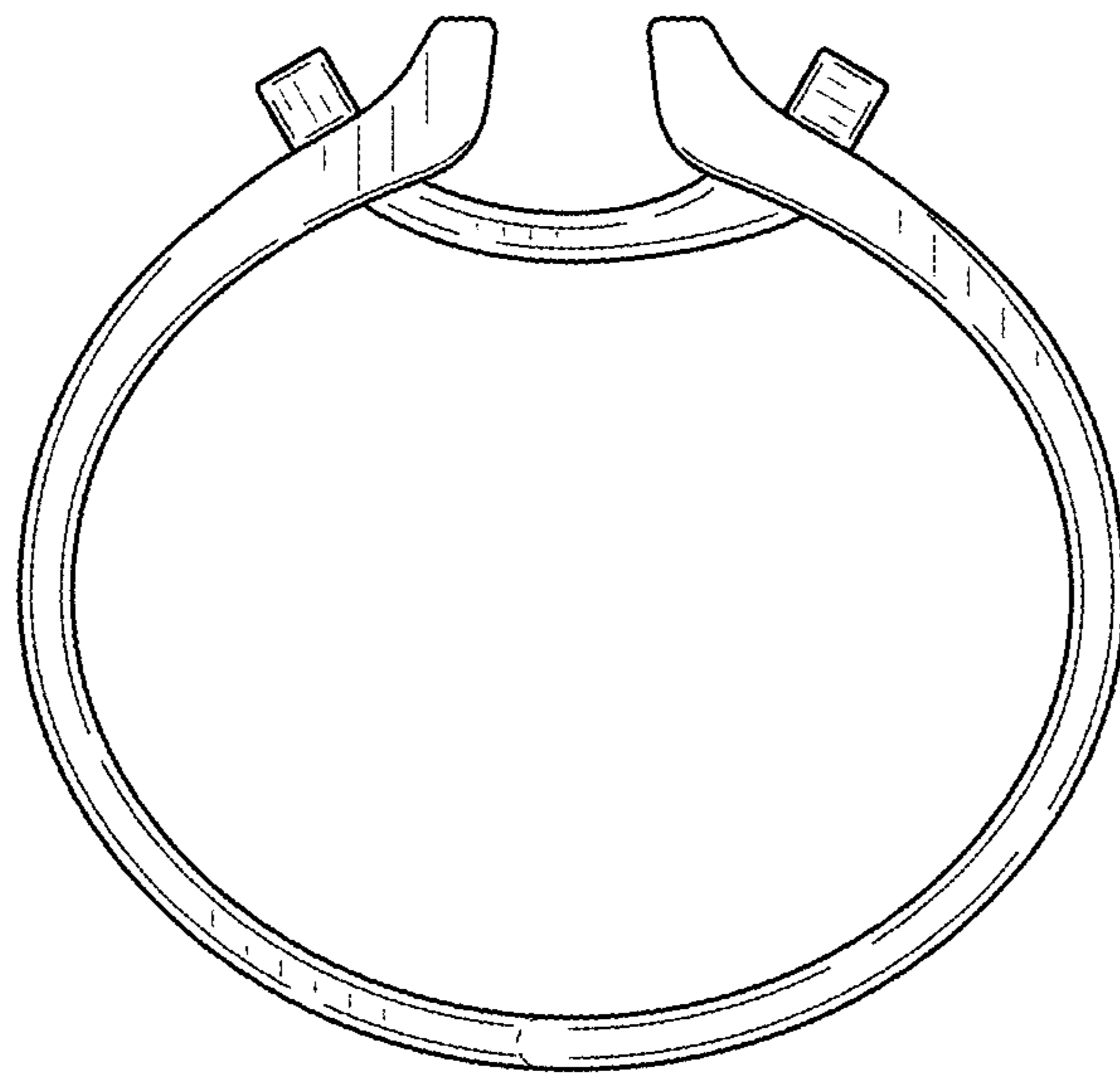


FIG. 7

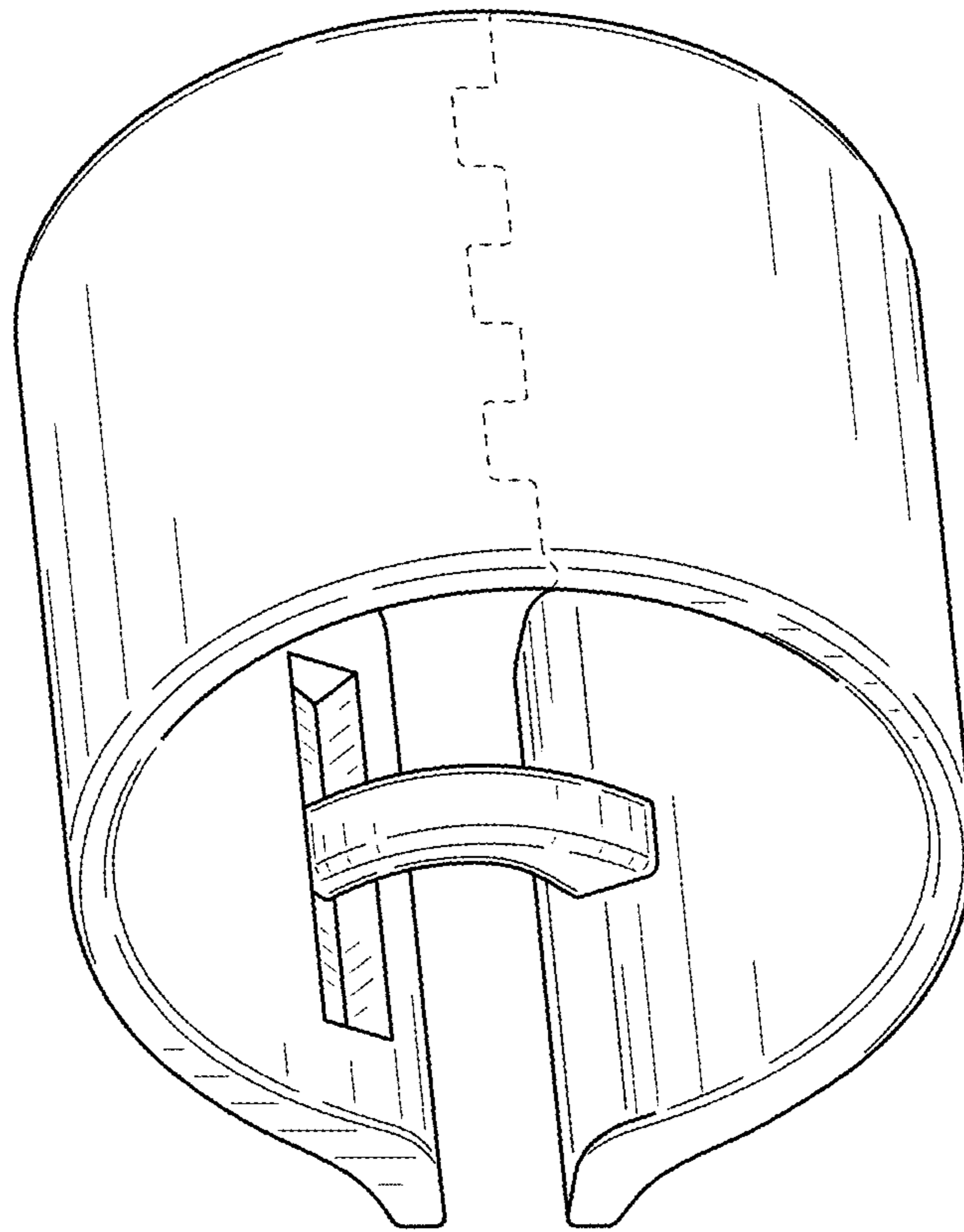


FIG. 8

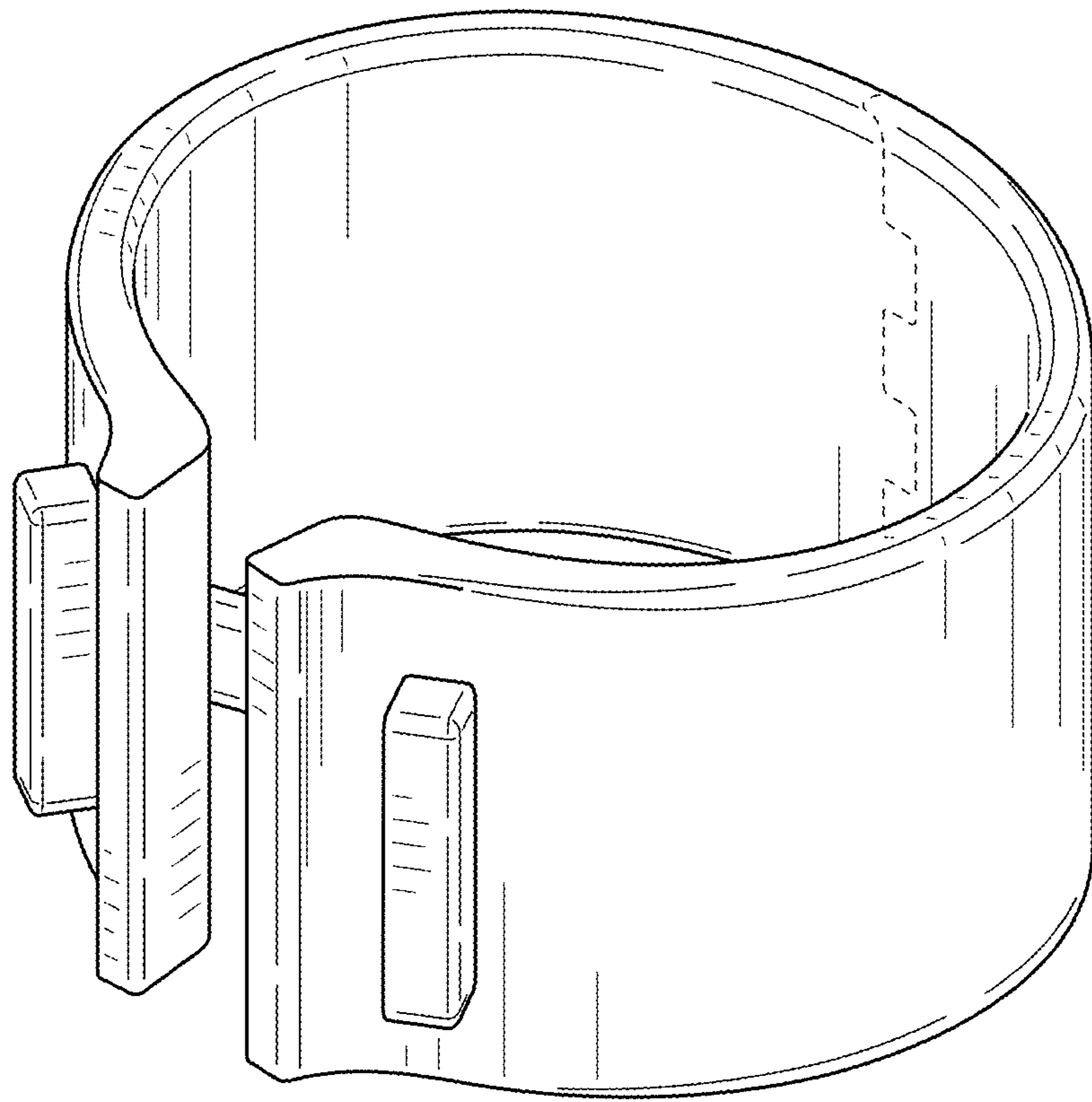


FIG. 9

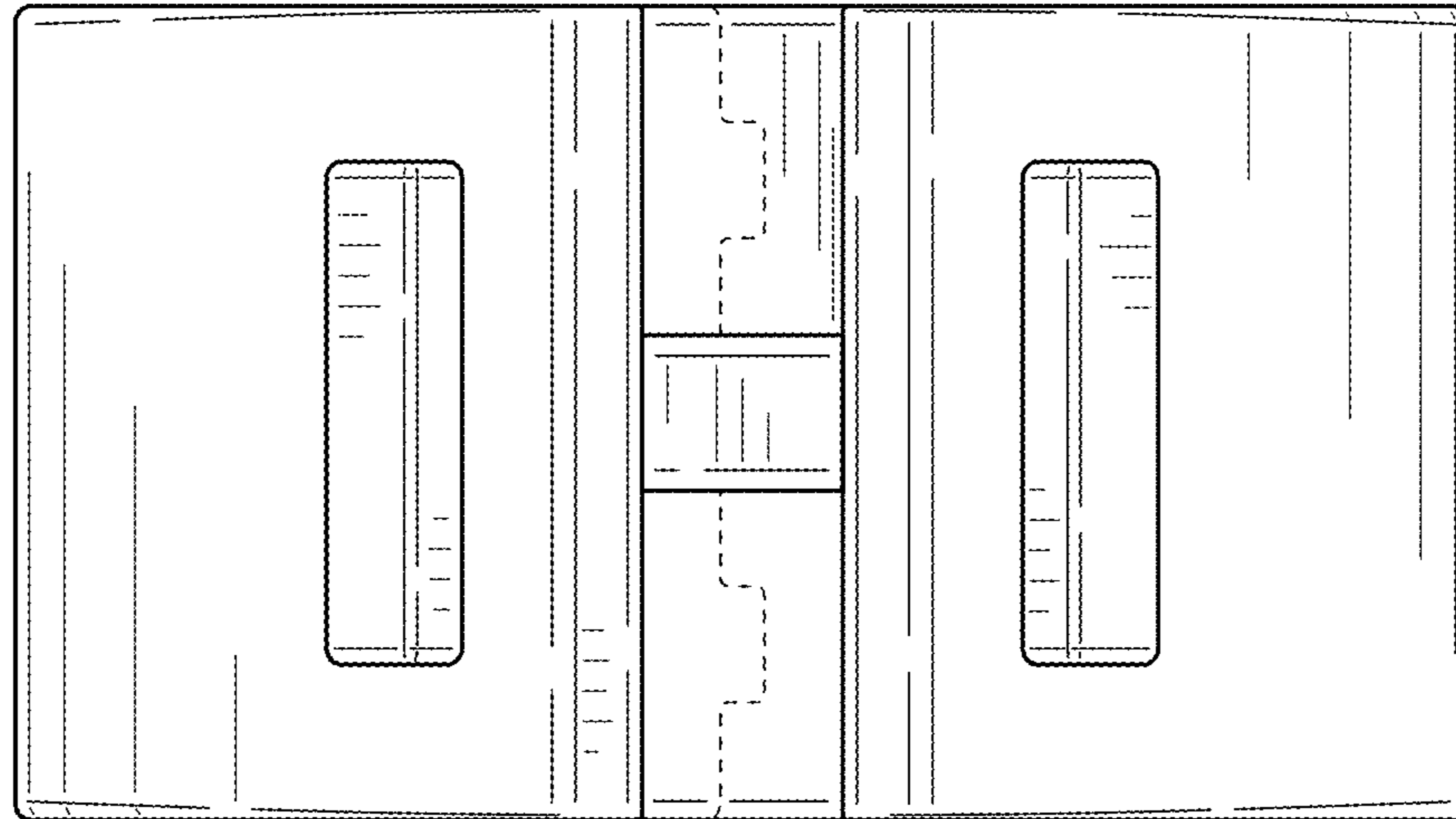


FIG. 10

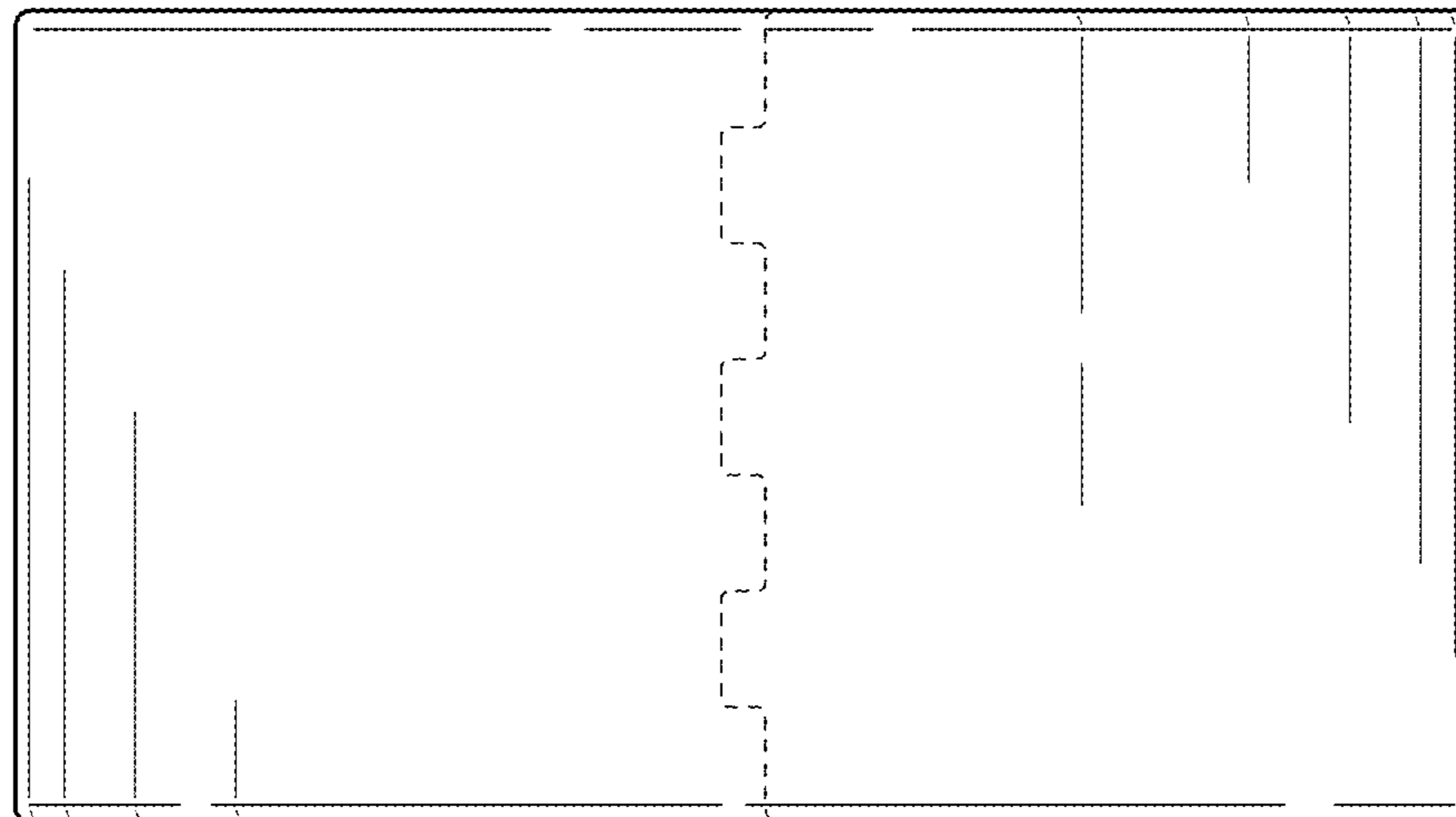


FIG. 11



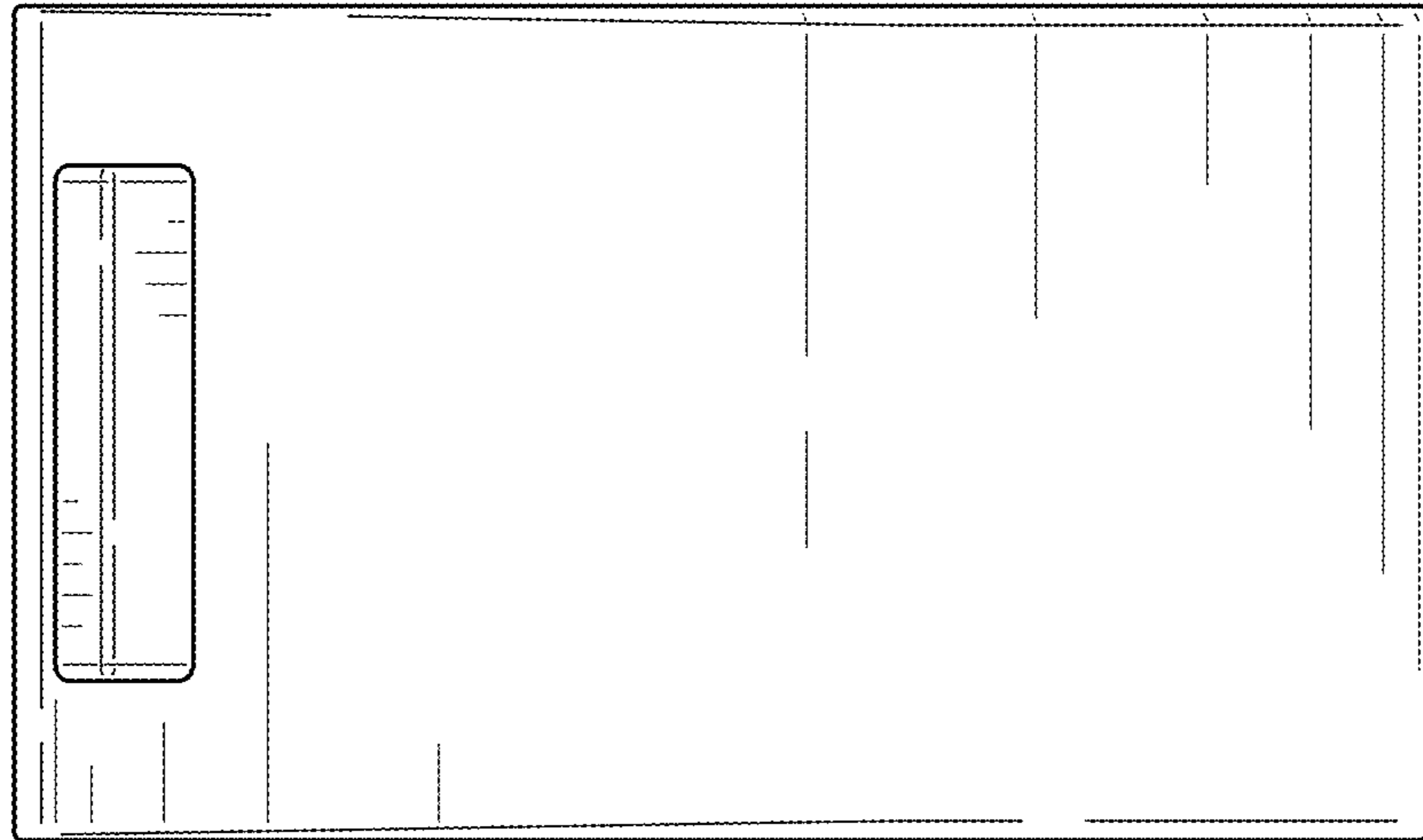


FIG. 12

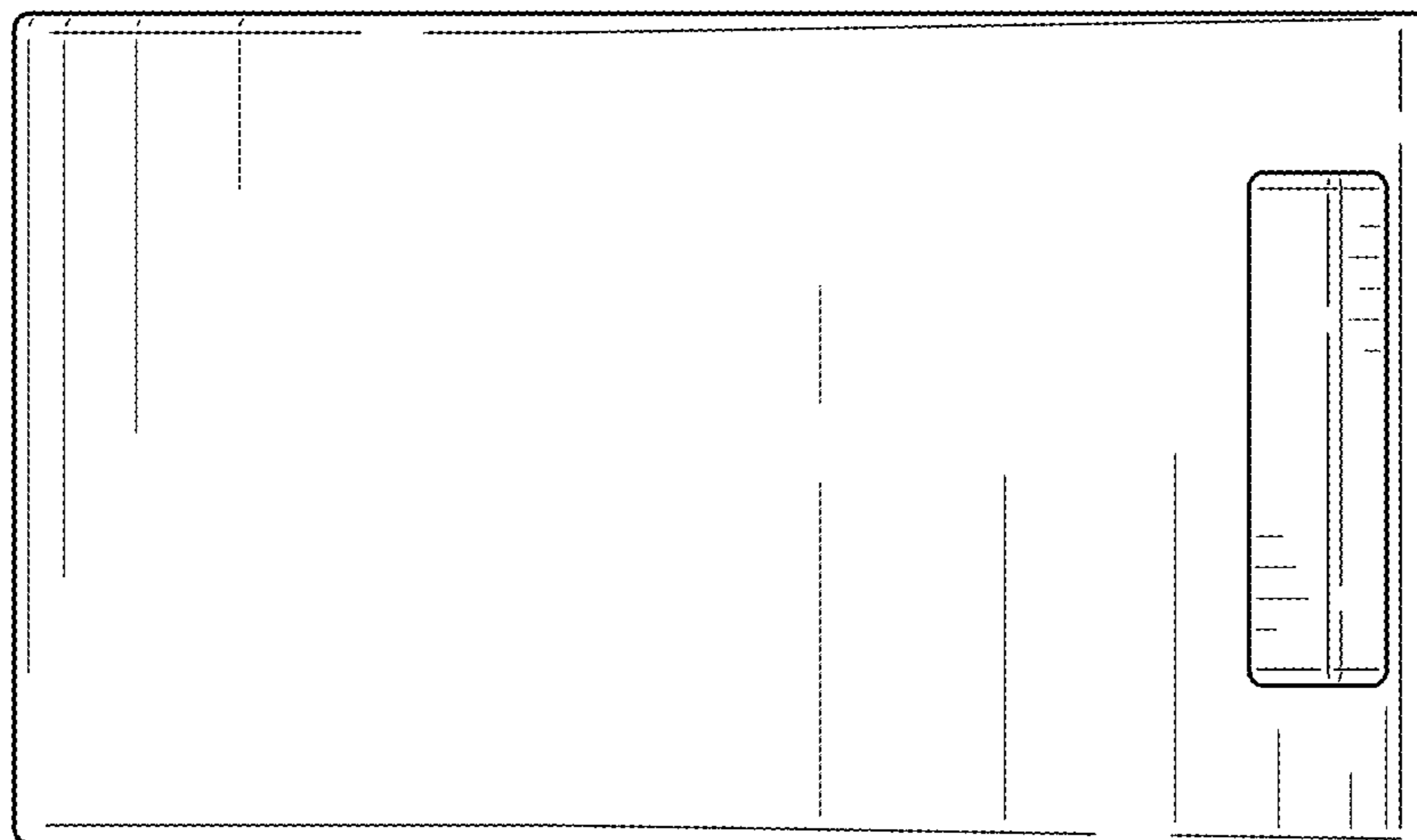


FIG. 13

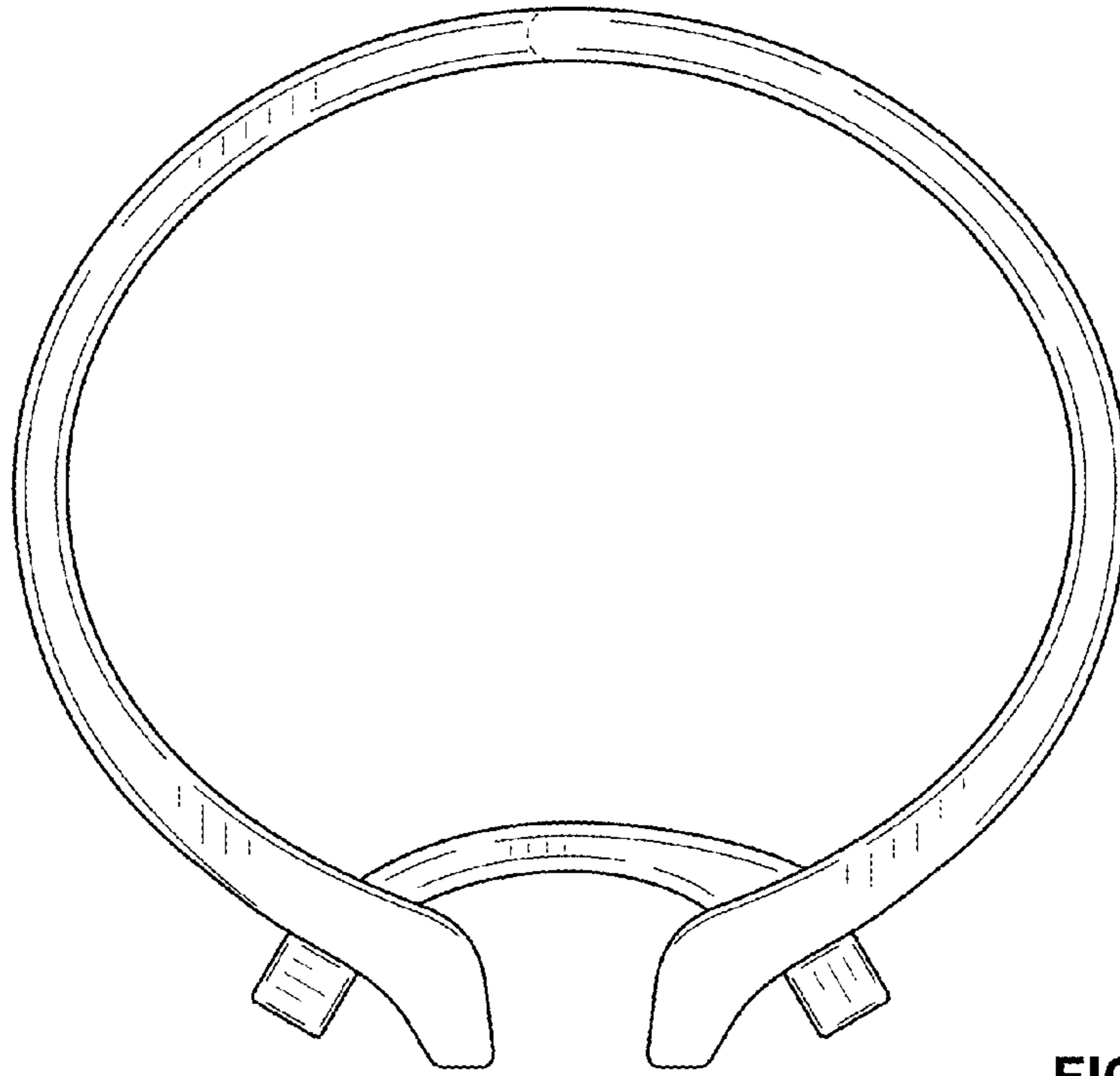


FIG. 14

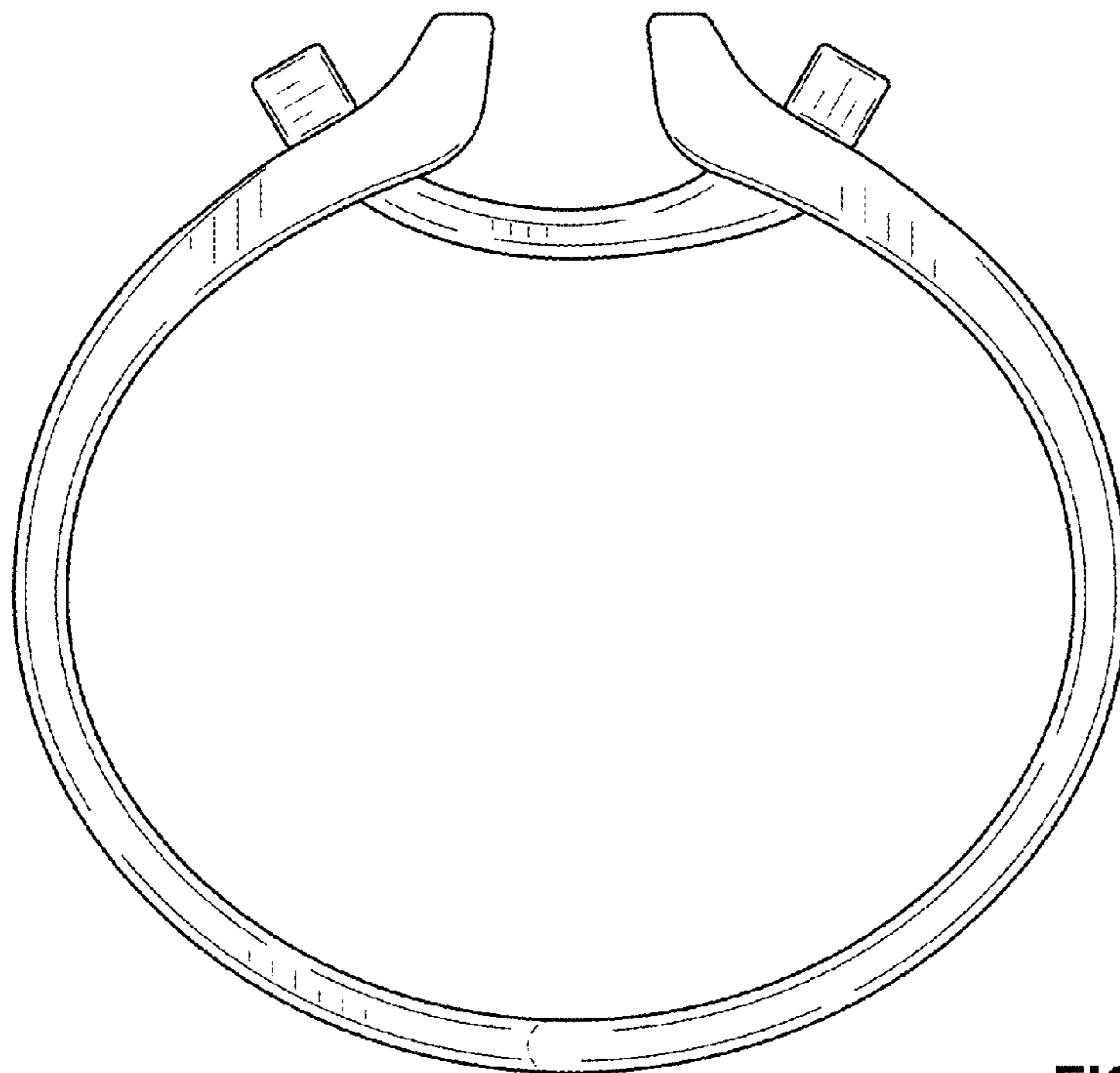


FIG. 15

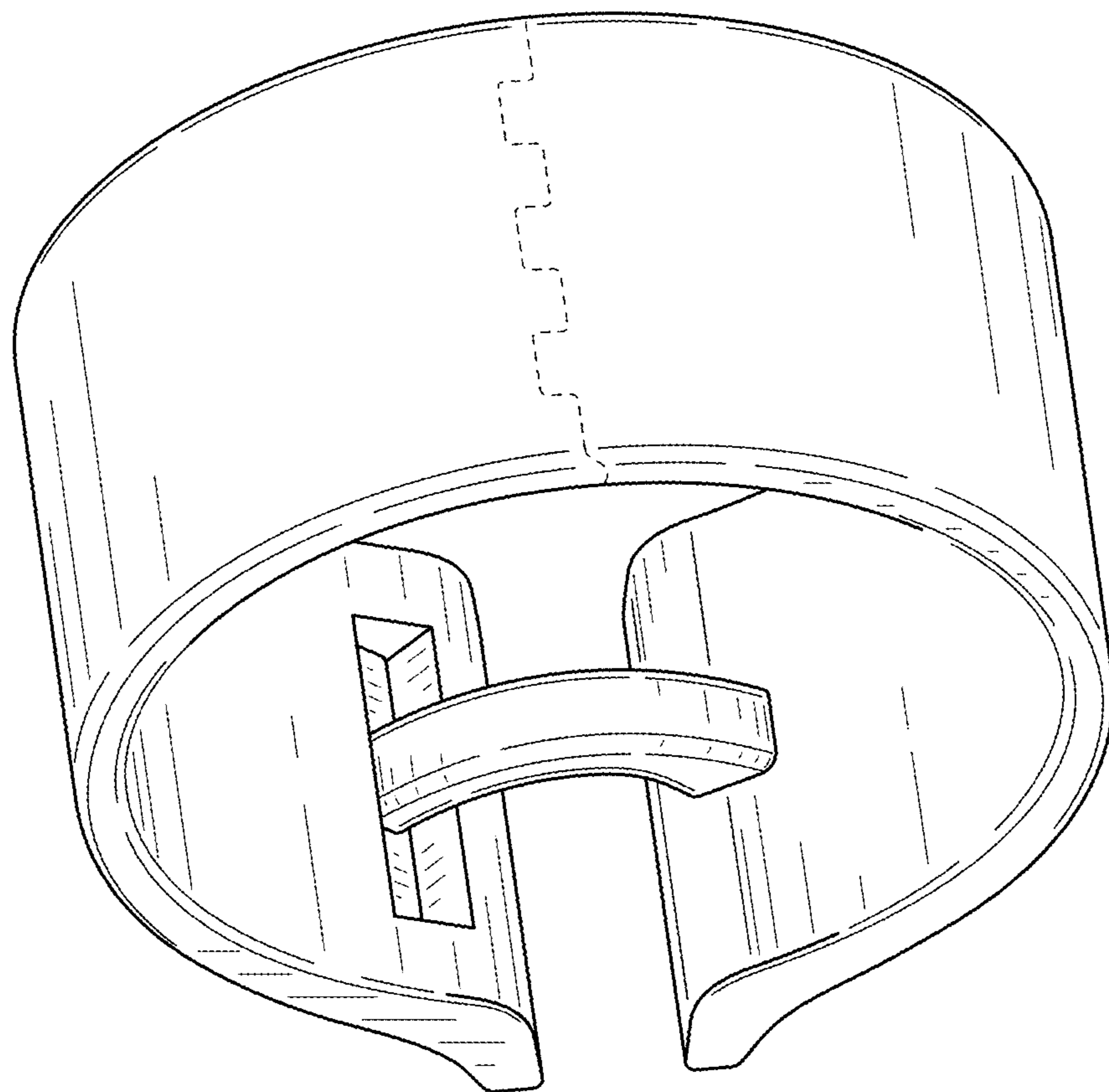


FIG. 16