



US00D757591S

(12) **United States Design Patent**
Amfitheatrof et al.

(10) **Patent No.:** **US D757,591 S**
(45) **Date of Patent:** **** May 31, 2016**

(54) **JEWELRY ITEM**

(71) Applicant: **Tiffany and Company**, New York, NY (US)

(72) Inventors: **Francesca Amfitheatrof**, New York, NY (US); **Michal Dayan**, Brooklyn, NY (US); **Nina Martensson**, Juoksengi (SE); **Emily Morrow**, New York, NY (US); **Cary James**, Long Island City, NY (US)

(73) Assignee: **Tiffany and Company**, New York, NY (US)

(**) Term: **14 Years**

(21) Appl. No.: **29/502,731**

(22) Filed: **Sep. 18, 2014**

(51) **LOC (10) Cl.** **02-07**

(52) **U.S. Cl.**
USPC **D11/4; D11/222**

(58) **Field of Classification Search**
USPC D11/200–217, 222–230, 30, 3, 4, 26, D11/27; 24/41.1–48, 66.4–66.6, 97, 100, 24/101 R, 120 PL; 63/20; D8/382–383; 362/103; 361/627
CPC A44C 1/00; A43B 1/0036; A44B 5/00; A44B 19/24; A44B 5/02; A44B 6/00; A44B 5/002; A44B 3/02; A41F 17/00; F16G 11/00
See application file for complete search history.

(56) **References Cited**

U.S. PATENT DOCUMENTS

4,888,797 A * 12/1989 Strait, Jr. H01R 13/447
361/627
D372,879 S * 8/1996 Partridge D11/4

D440,516 S * 4/2001 Siemon D11/26
D479,488 S * 9/2003 Stewart-Stand D11/226
D533,802 S * 12/2006 Thompson D11/27
D561,643 S * 2/2008 Bruni D11/222
D565,450 S * 4/2008 Lebail D11/27
D567,143 S * 4/2008 Nicol D11/222
D704,088 S * 5/2014 Farris D11/26
D718,171 S * 11/2014 Fakesch D11/3

* cited by examiner

Primary Examiner — T. Chase Nelson

Assistant Examiner — Mark Cavanna

(74) *Attorney, Agent, or Firm* — Fross Zelnick Lehrman & Zissu, P.C.; Charles T. J. Weigell, Esq.

(57) **CLAIM**

The ornamental design for a jewelry item, as shown and described.

DESCRIPTION

FIG. 1 is a front perspective view of a jewelry item showing our new design;

FIG. 2 is a front view of the jewelry item shown in FIG. 1;

FIG. 3 is a rear view of the jewelry item shown in FIG. 1;

FIG. 4 is a left side view of the jewelry item shown in FIG. 1;

FIG. 5 is a right side view of the jewelry item shown in FIG. 1;

FIG. 6 is a top view of the jewelry item shown in FIG. 1;

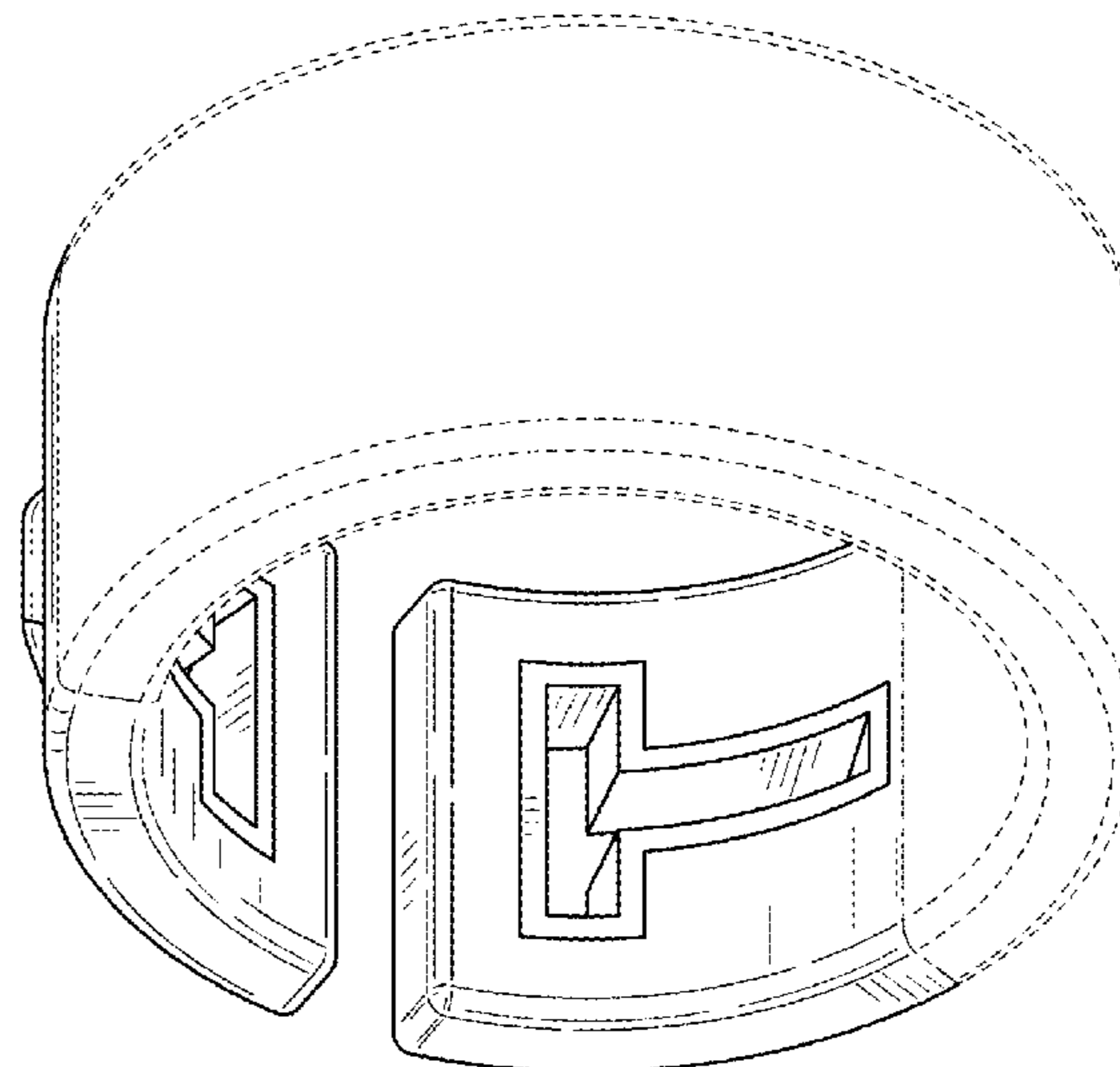
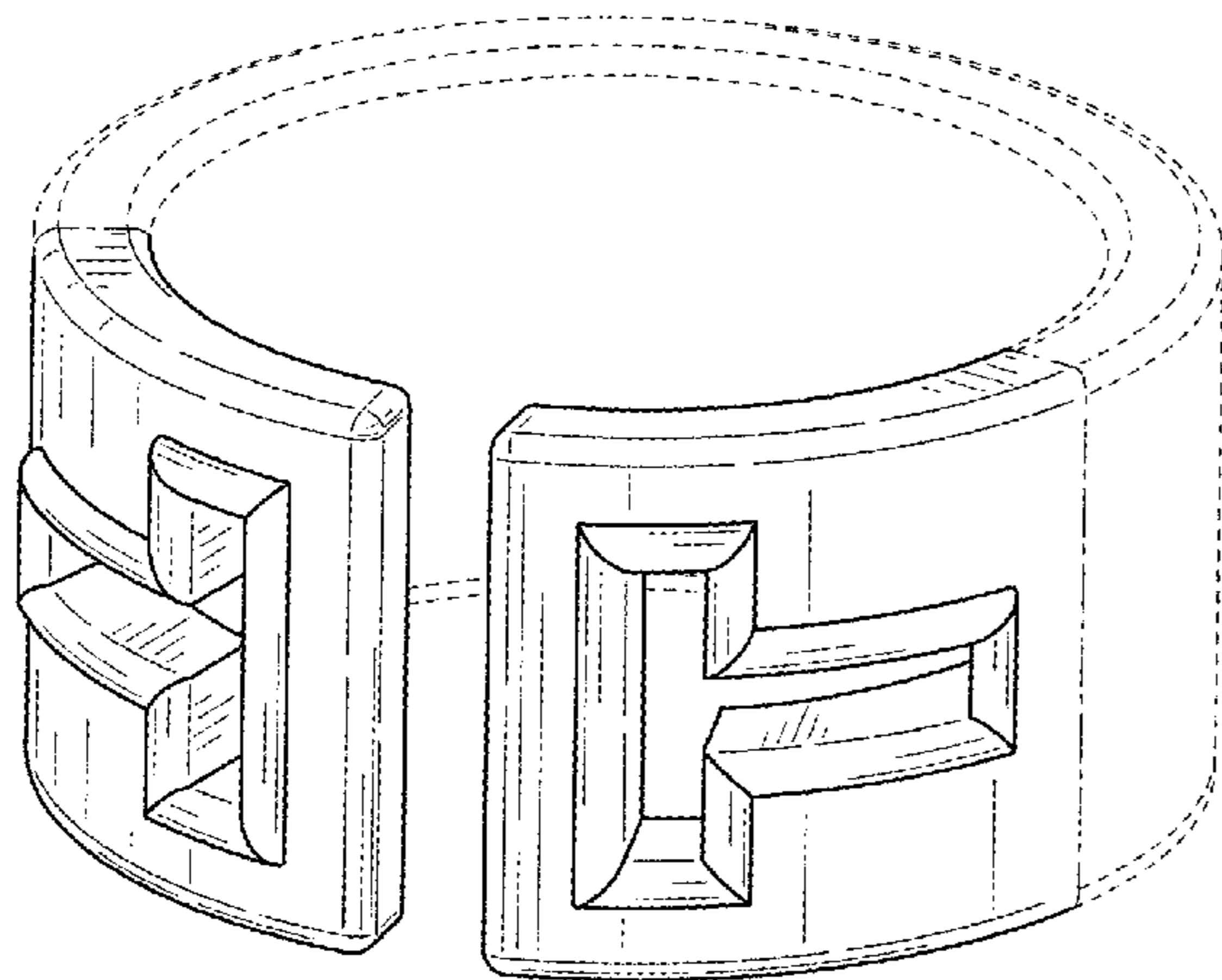
FIG. 7 is a bottom view of the jewelry item shown in FIG. 1; and,

FIG. 8 is a bottom perspective view of the jewelry item shown in FIG. 1.

The “dash/dash” style broken lines seen in FIGS. 1-8 illustrate unclaimed portions of the jewelry item.

The “dash/dot” style broken lines seen in FIGS. 1-8, indicate the boundary of the claimed design.

1 Claim, 5 Drawing Sheets



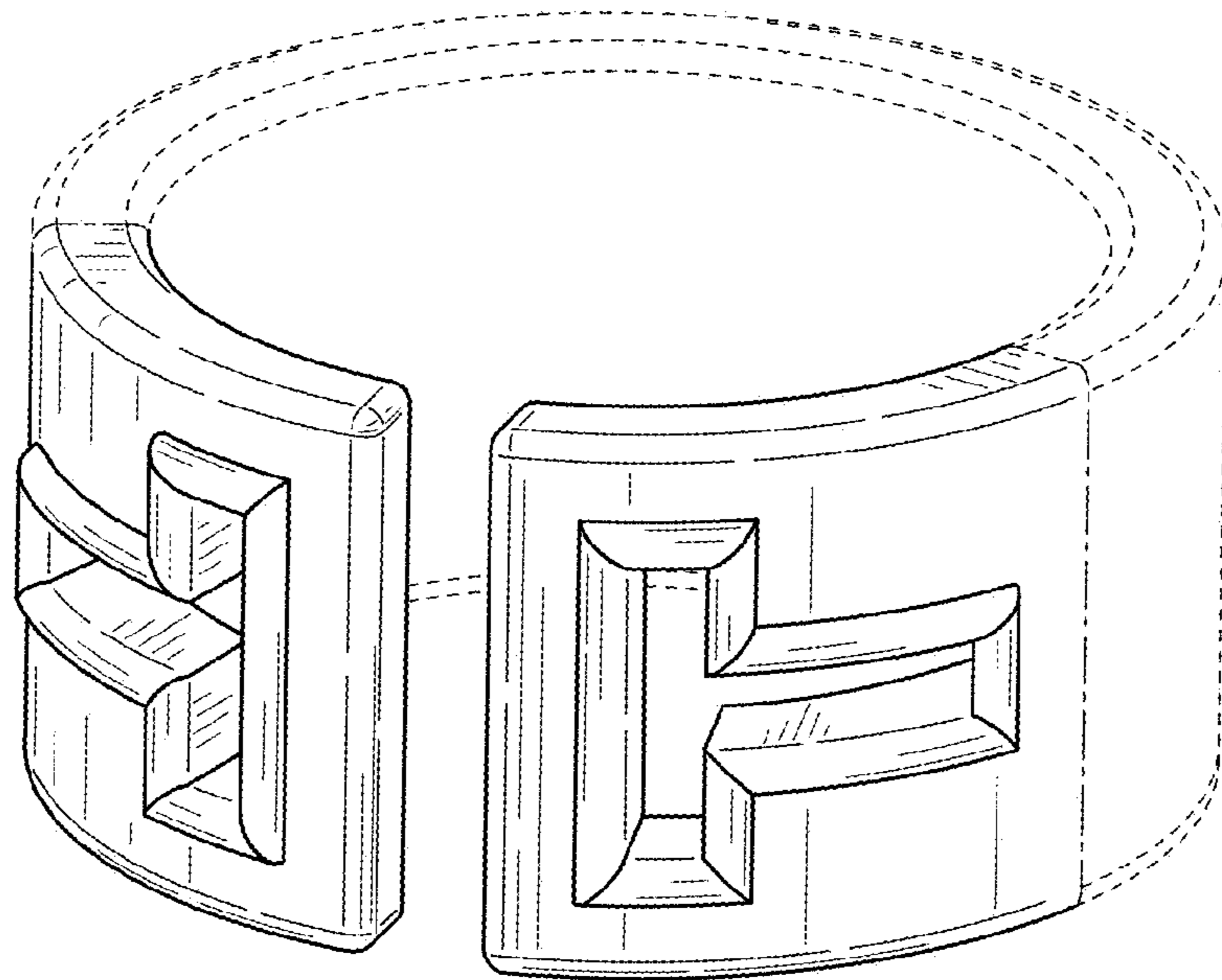


FIG. 1

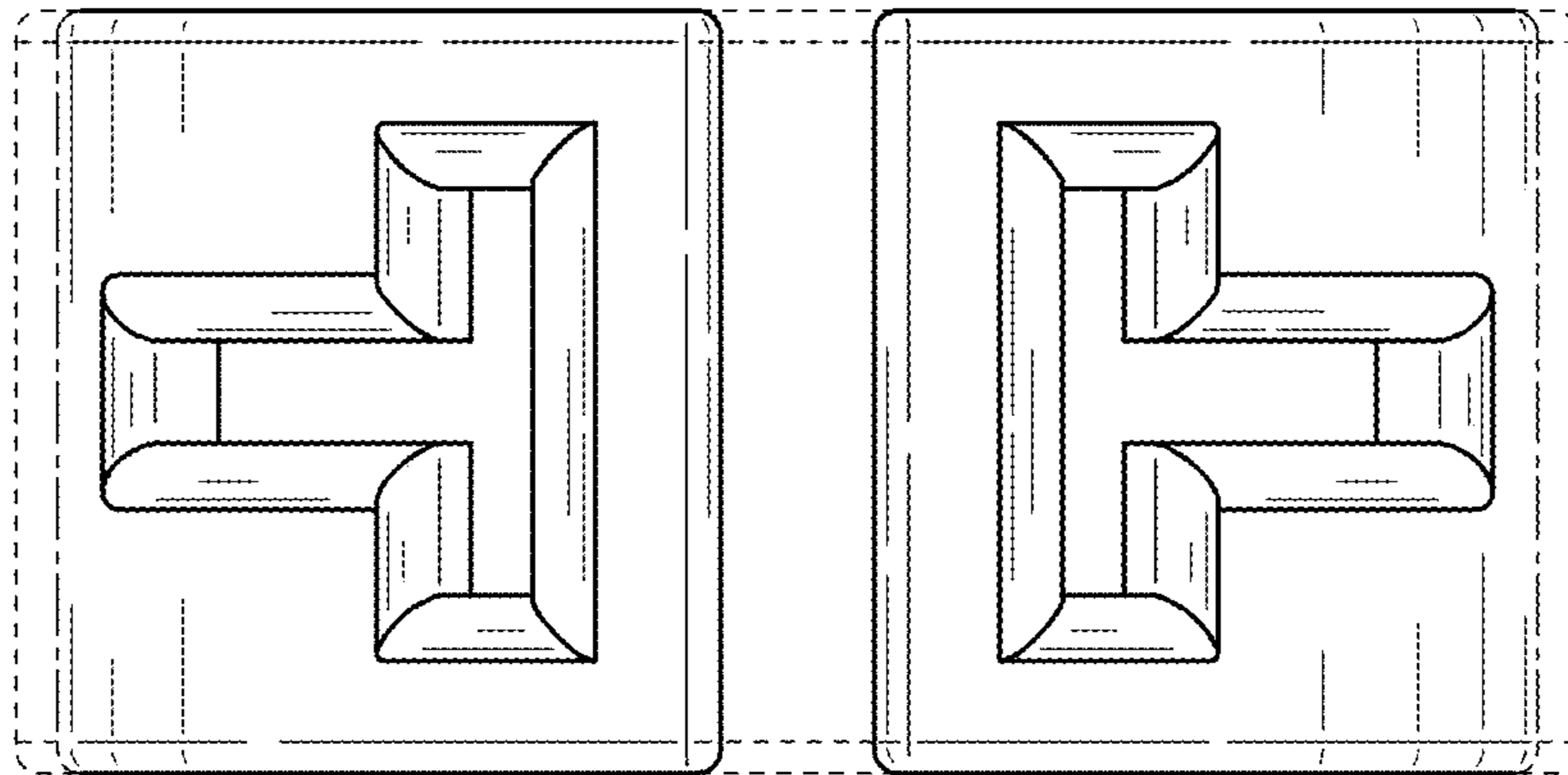


FIG. 2



FIG. 3

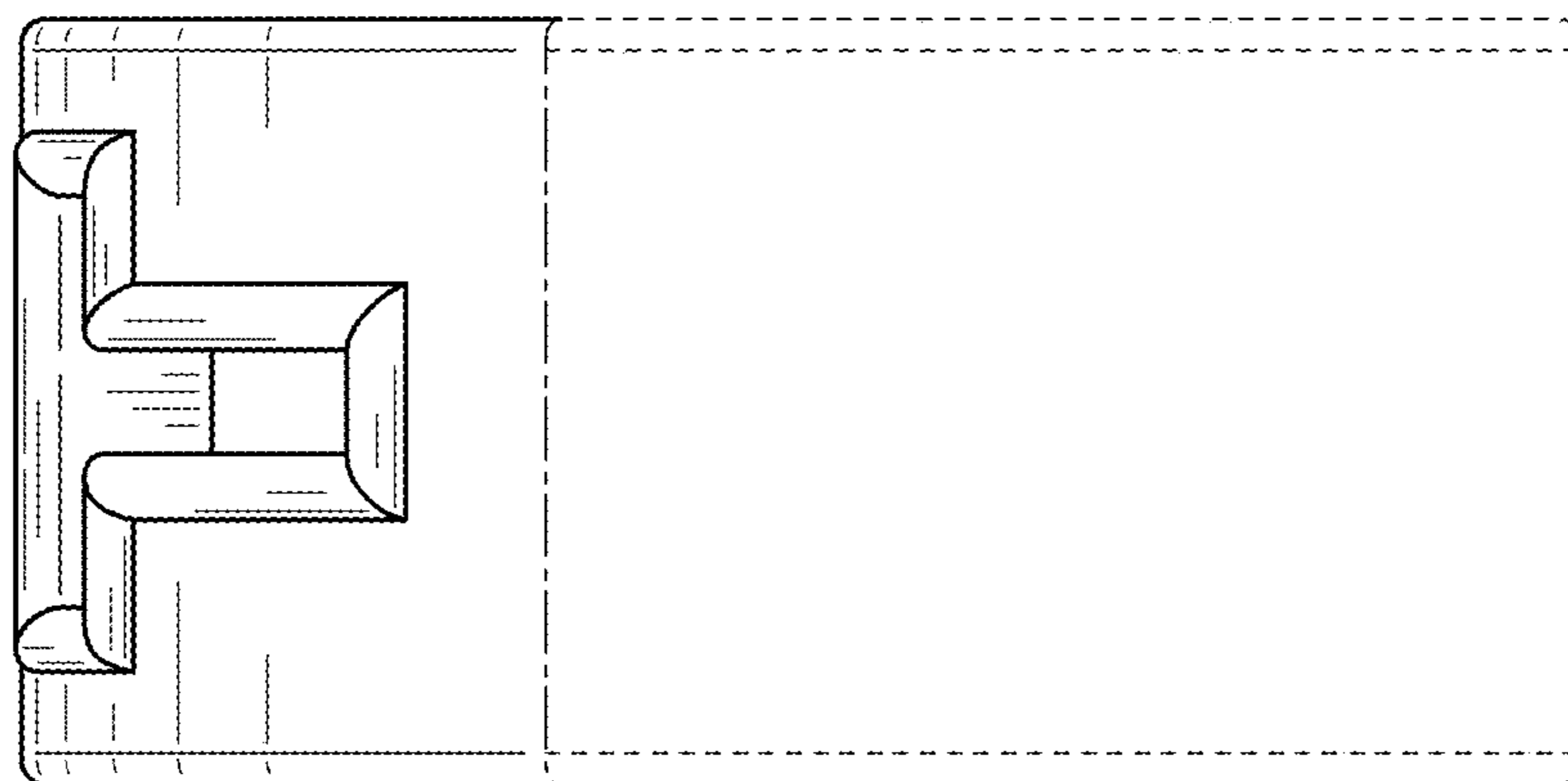


FIG. 4

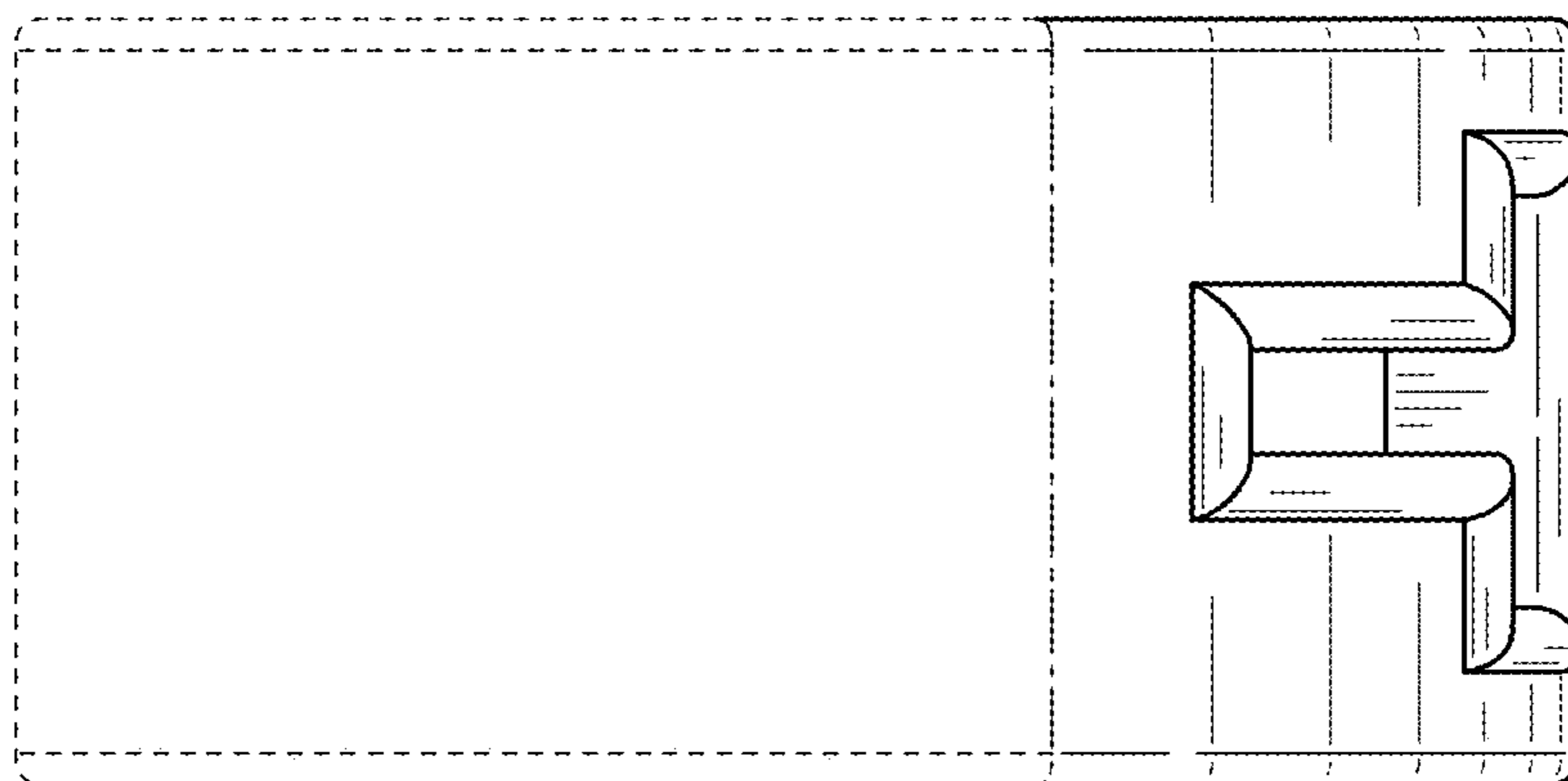


FIG. 5

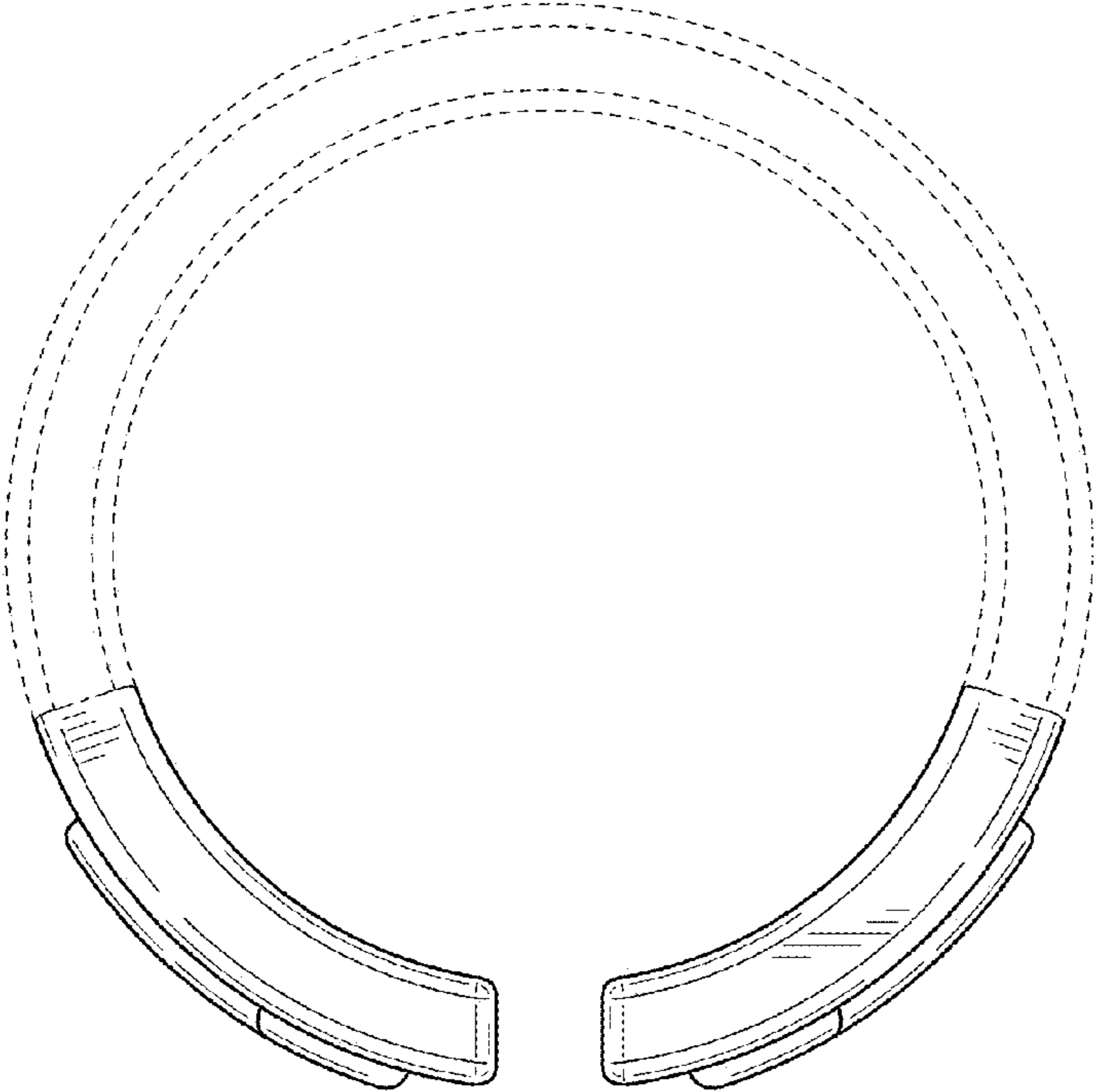


FIG. 6

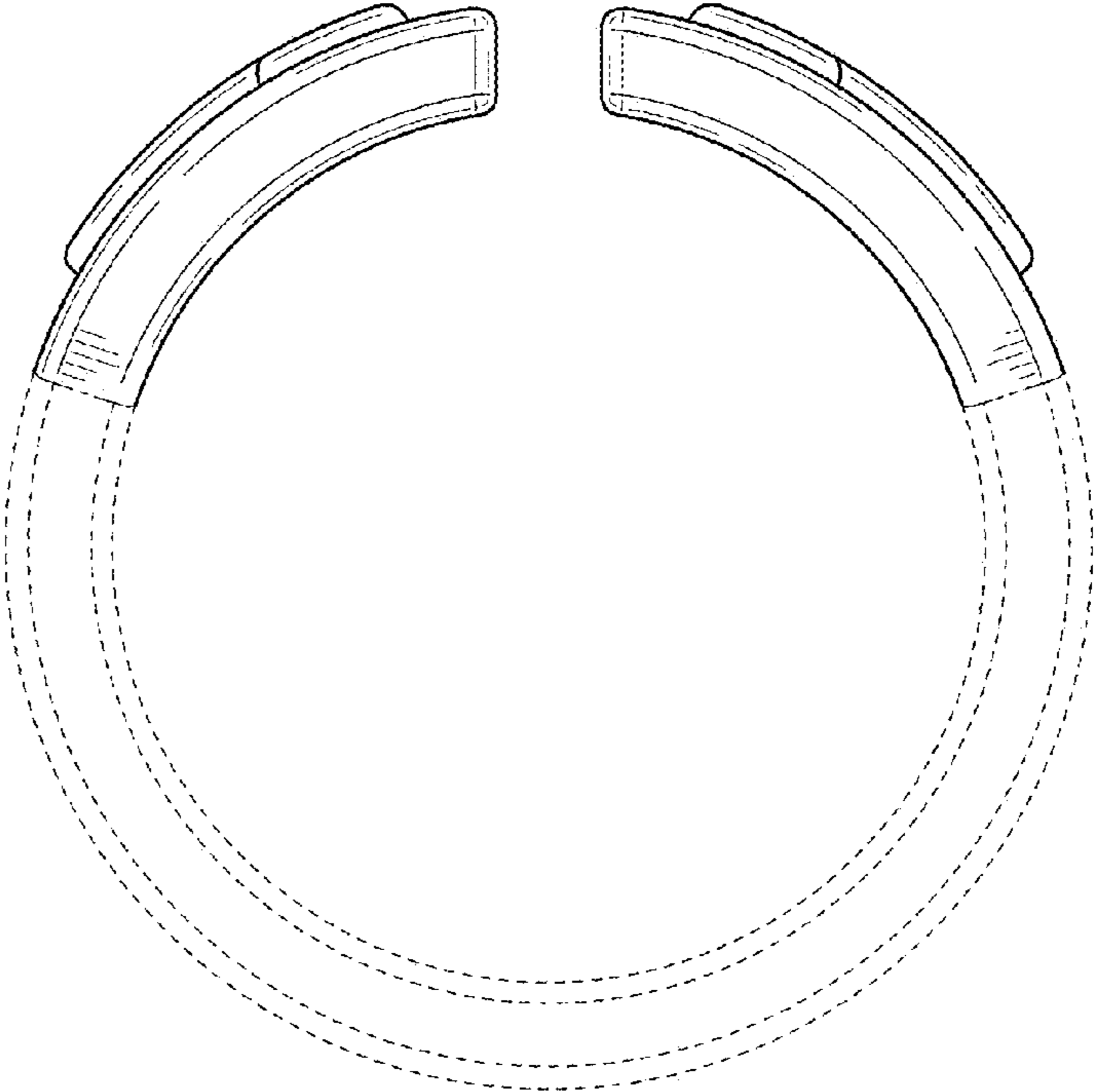


FIG. 7

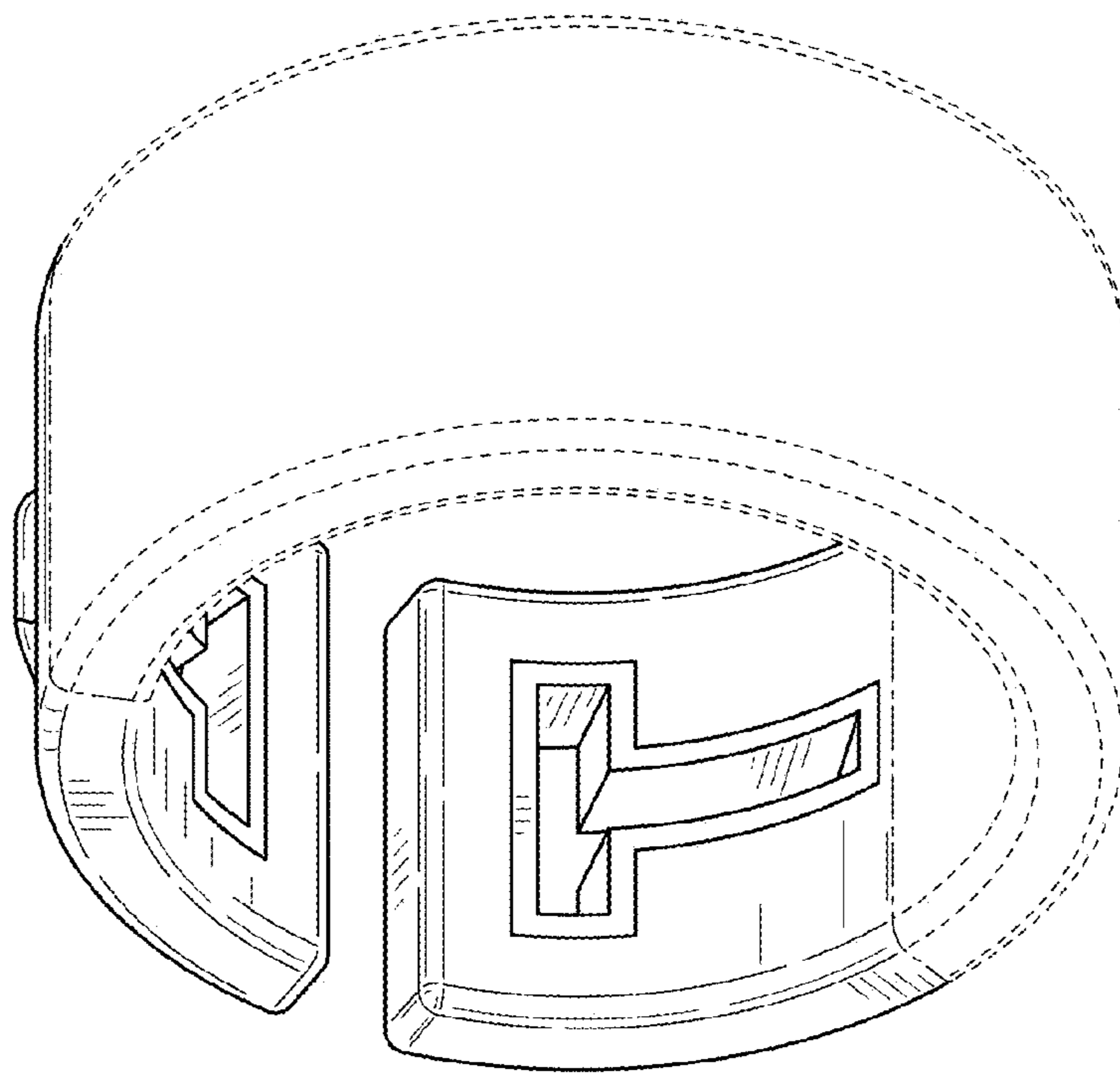


FIG. 8