

US00D757586S

(12) **United States Design Patent**
Li

(10) **Patent No.:** **US D757,586 S**

(45) **Date of Patent:** **** May 31, 2016**

(54) **DOOR AND WINDOW CONTACT DEVICE
FOR A SECURITY SYSTEM**

(56) **References Cited**

U.S. PATENT DOCUMENTS

(71) Applicant: **Chuang Security Technology Corporation, Fuzhou (CN)**

D680,014 S * 4/2013 Corso D10/106.6
D680,459 S * 4/2013 Corso D10/106.6
D680,460 S * 4/2013 Corso D10/106.6

(72) Inventor: **Chen Li, Fuzhou (CN)**

* cited by examiner

(73) Assignee: **Chuang Security Technology Corporation, Fuzhou (CN)**

Primary Examiner — George D Kirschbaum
(74) *Attorney, Agent, or Firm* — Alan D. Kamrath; Kamrath IP Lawfirm, P.A.

(**) Term: **14 Years**

(57) **CLAIM**
The ornamental design for a door and window contact device for a security system, as shown and described.

(21) Appl. No.: **29/512,507**

DESCRIPTION

(22) Filed: **Dec. 19, 2014**

(51) **LOC (10) Cl.** **10-05**

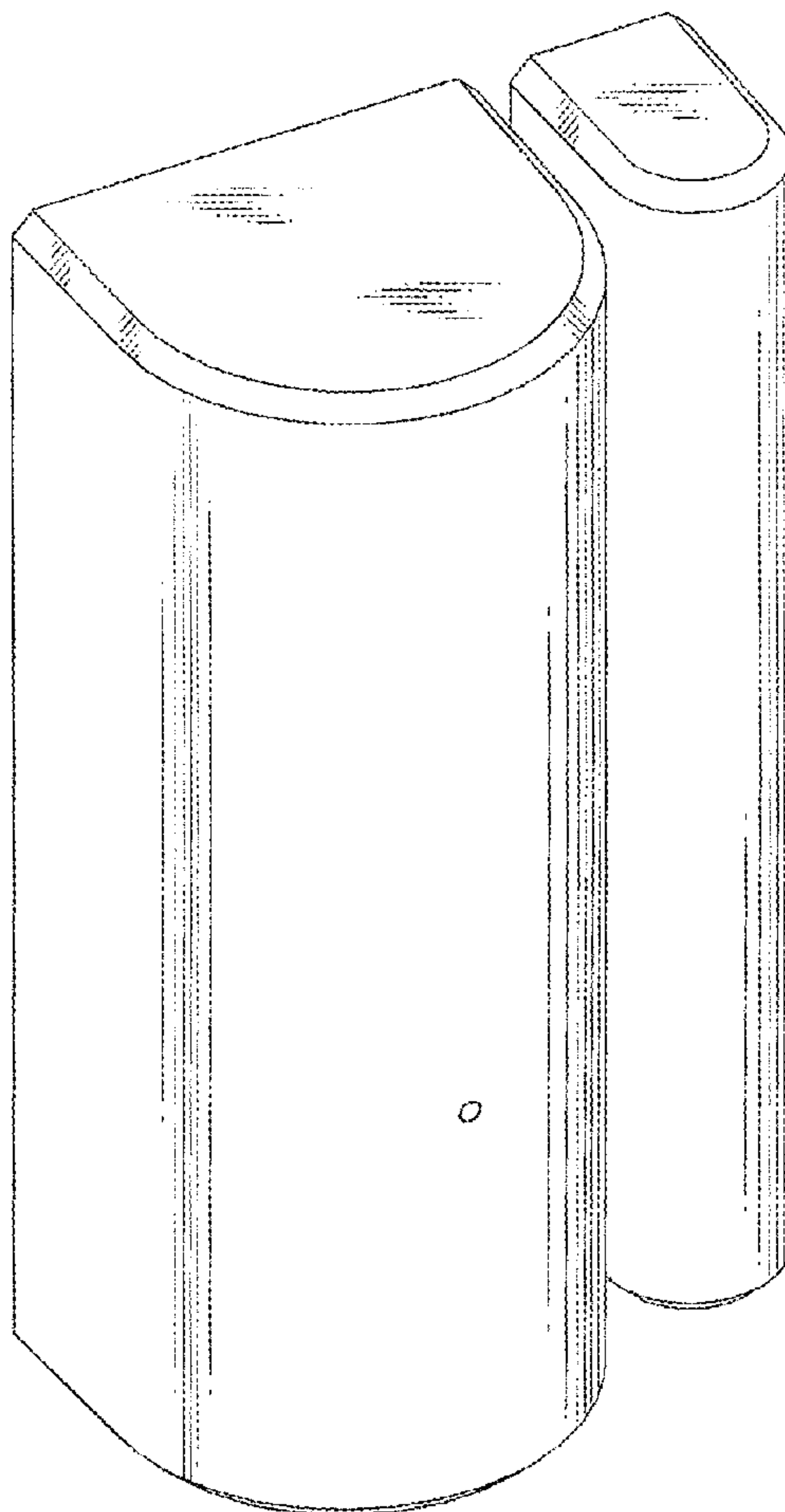
(52) **U.S. Cl.**
USPC **D10/106.6**

(58) **Field of Classification Search**
USPC D10/106.6
CPC A63H 33/28

FIG. 1 is a perspective view of a door and window contact device for a security system in accordance with the design; FIG. 2 is a front view thereof; FIG. 3 is a rear view thereof; FIG. 4 is a left view thereof; FIG. 5 is a right view thereof; FIG. 6 is a top view thereof; and, FIG. 7 is a bottom view thereof.

See application file for complete search history.

1 Claim, 5 Drawing Sheets



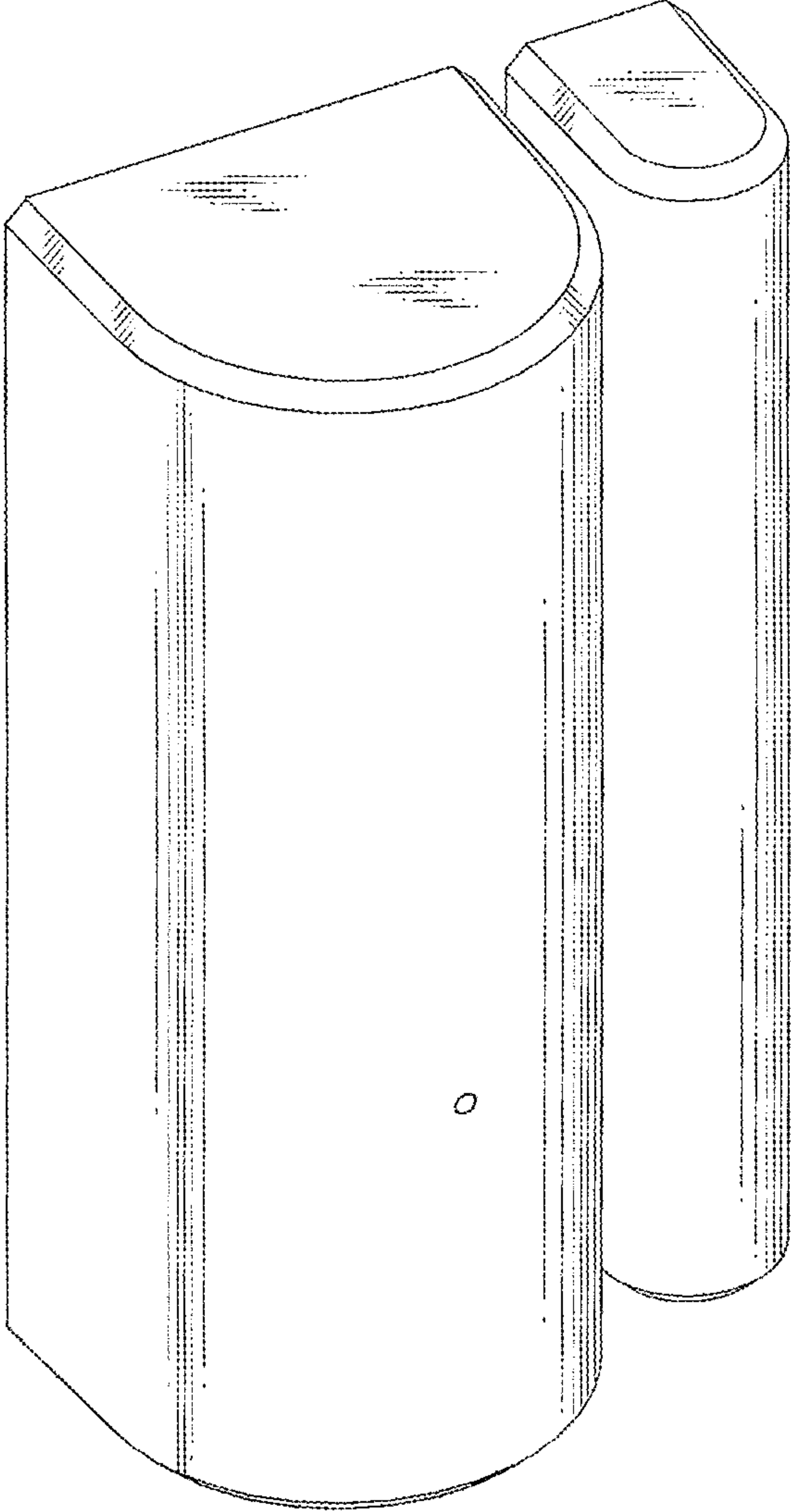


FIG. 1

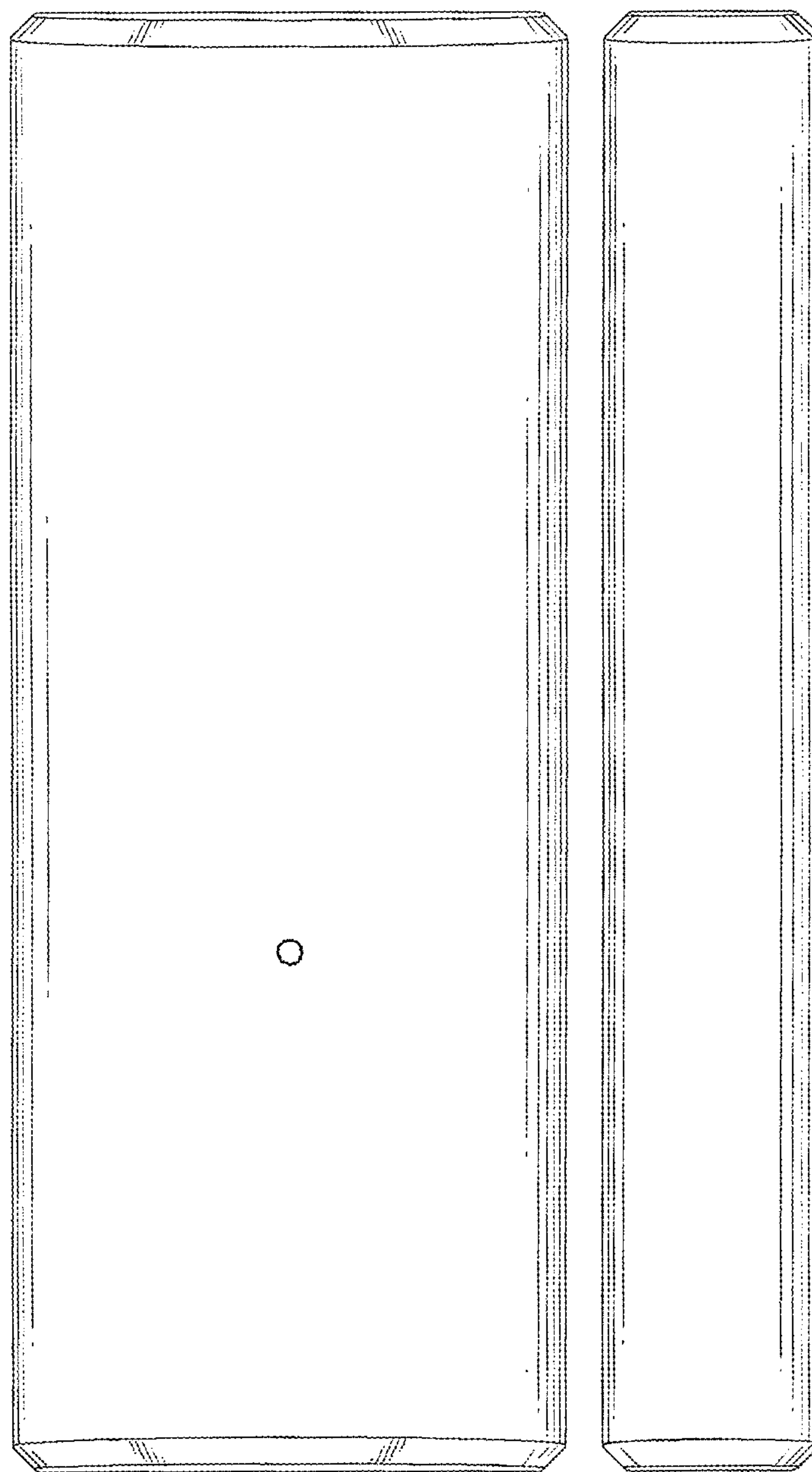


FIG. 2

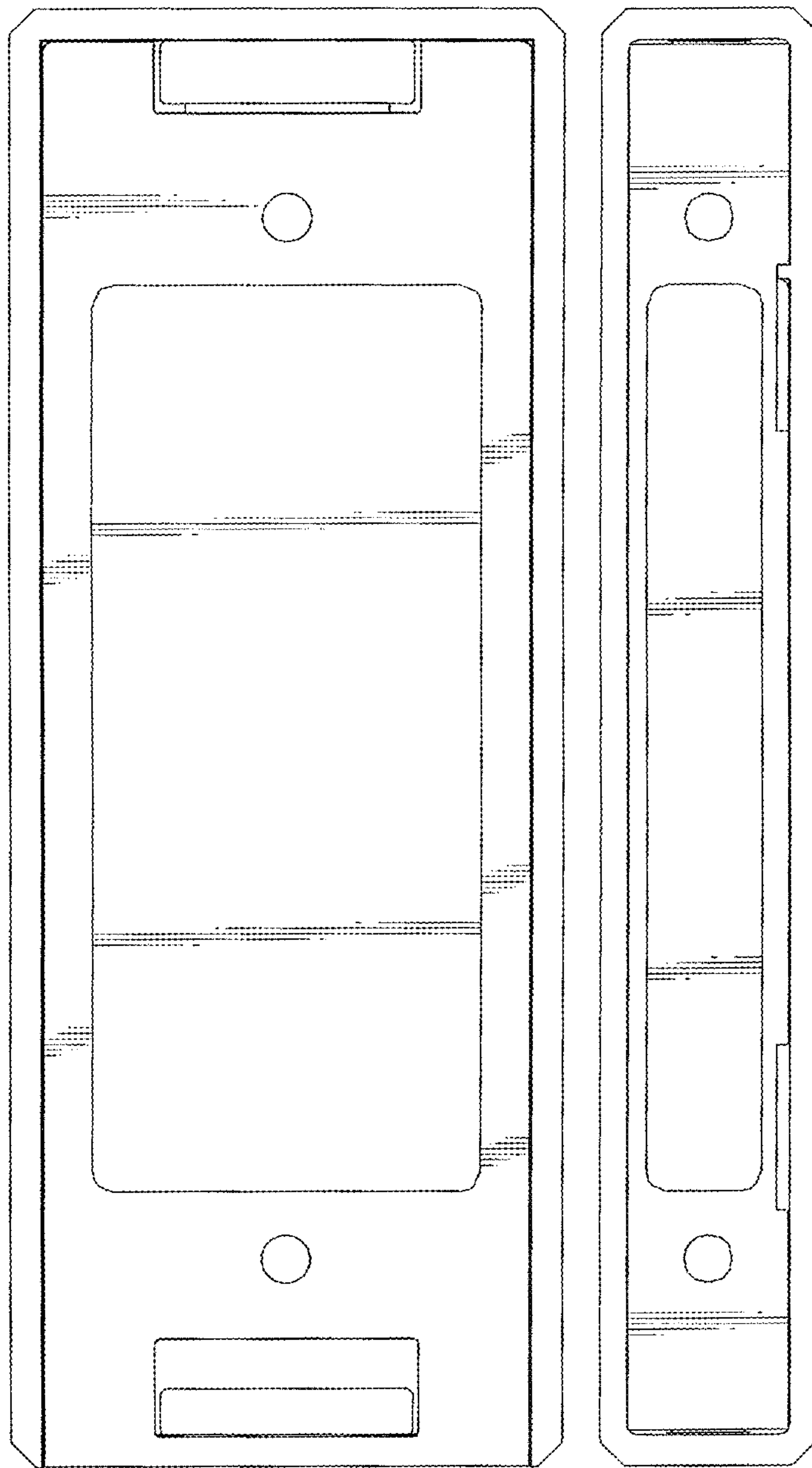


FIG. 3

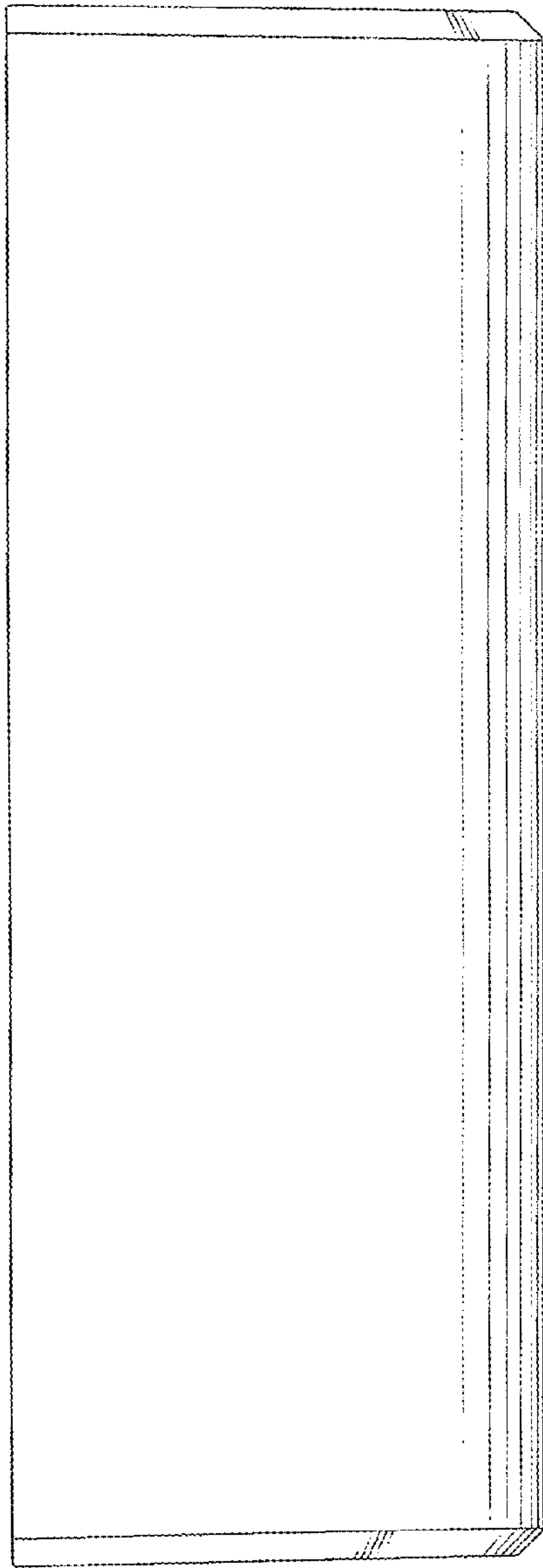


FIG. 4

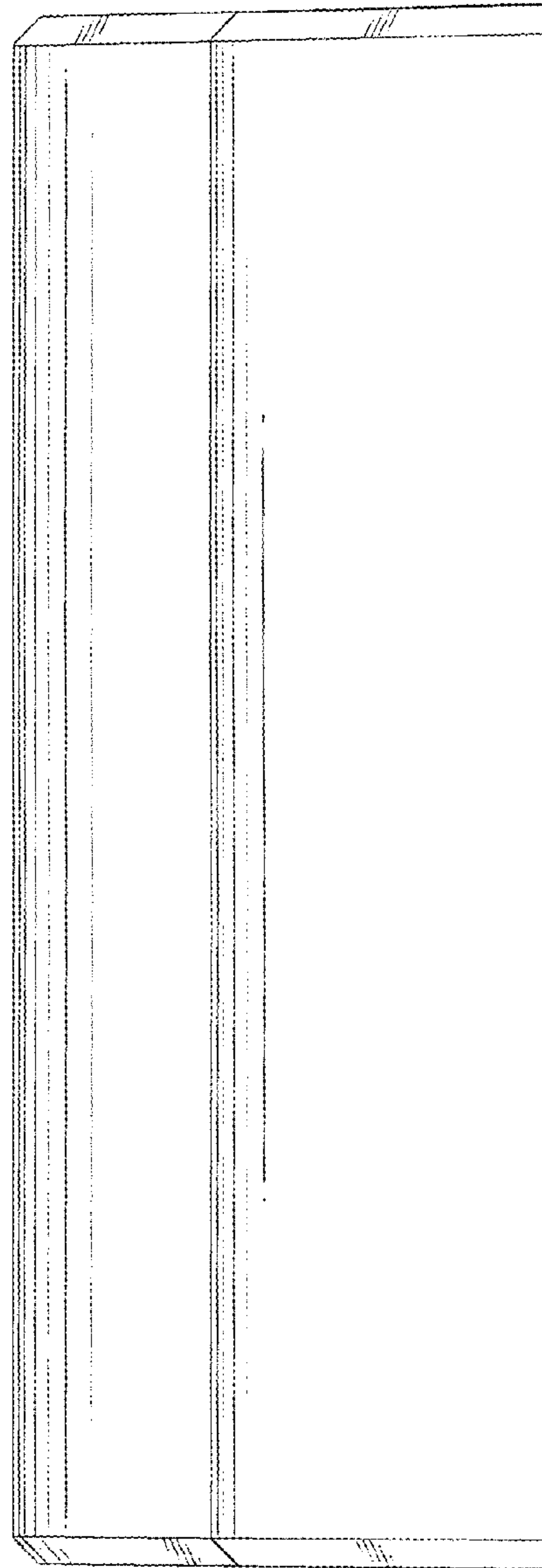


FIG. 5

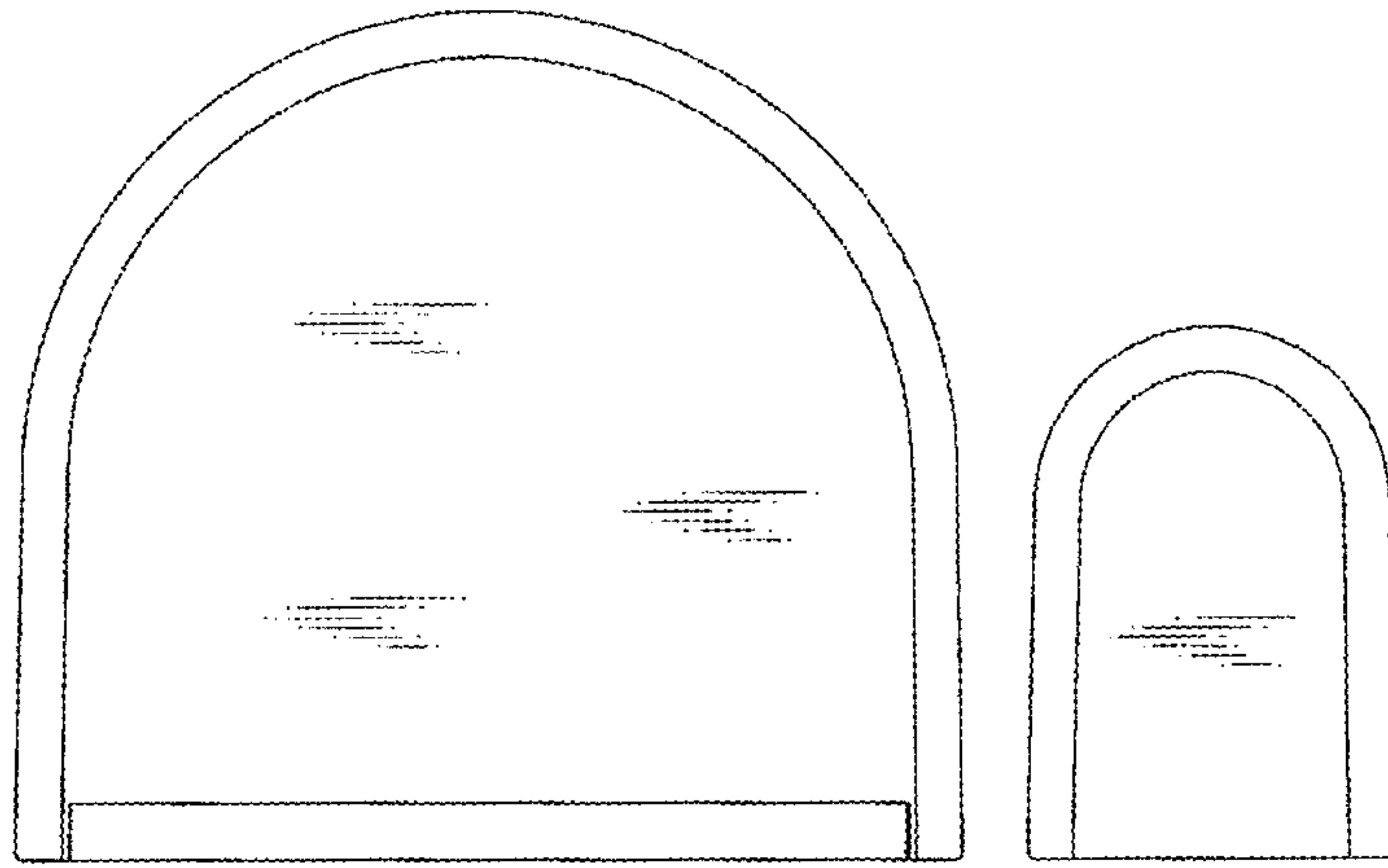


FIG. 6

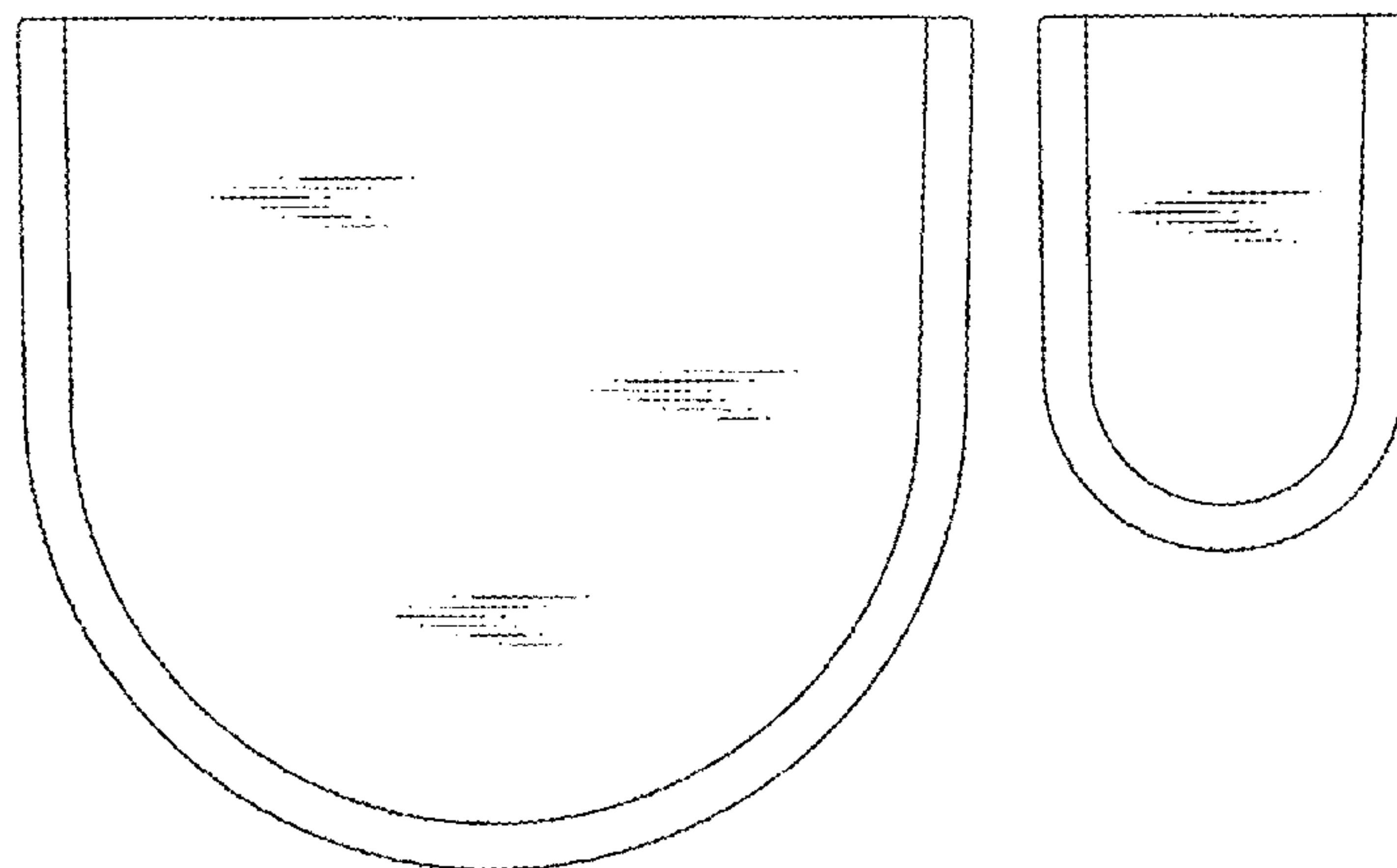


FIG. 7