



US00D757585S

(12) **United States Design Patent**
Højmoose

(10) **Patent No.:** **US D757,585 S**

(45) **Date of Patent:** **** May 31, 2016**

(54) **SMOKE ALARM**

(71) Applicant: **Cavius ApS**, Silkeborg (DK)

(72) Inventor: **Glenn Højmoose**, Silkeborg (DK)

(73) Assignee: **CAVIUS APS**, Silkeborg (DK)

(**) Term: **15 Years**

(21) Appl. No.: **29/539,116**

(22) Filed: **Sep. 10, 2015**

Related U.S. Application Data

(62) Division of application No. 29/484,043, filed on Mar. 5, 2014.

Foreign Application Priority Data

Sep. 5, 2013 (EM) 002303180

(51) **LOC (10) Cl.** **10-06**

(52) **U.S. Cl.**
USPC **D10/106.5**; D10/106.1

(58) **Field of Classification Search**
USPC D26/2, 28, 60, 72, 89, 104, 113, 118,
D26/119, 120, 122, 124, 128, 138, 142, 143,
D26/145; D13/179, 180, 102, 103, 107,
D13/108; D10/18, 21, 24, 25, 27, 28, 46,
D10/93, 104.1, 106, 113, 114, 116.1;
D17/99

CPC F21V 15/01; F21V 15/04; F21V 25/00;
F21V 3/02; F21V 1/00; F21V 21/04; F21V
29/006; H01L 2224/48137; F21Y 2101/02;
F21K 9/00; H05K 7/20727; H05K 7/20581;
F04D 25/166; F04D 15/00; F04D 29/664;
F24F 3/044; F24F 7/06; F24F 7/065; F24F
13/24

See application file for complete search history.

(56) **References Cited**

U.S. PATENT DOCUMENTS

| | | | |
|--------------|---------|-------------------|-----------|
| D152,113 S | 12/1948 | Mehr | |
| D204,526 S * | 4/1966 | Storm, Jr. | D10/106.5 |
| D215,040 S | 8/1969 | Abe | |
| D216,229 S * | 12/1969 | Hauser | D10/106.1 |
| D225,380 S * | 12/1972 | Sanger | D10/106.5 |
| D226,539 S | 3/1973 | Pearsall | |
| D238,484 S | 1/1976 | Ludt, II | |
| D239,517 S * | 4/1976 | Lowndes | D10/114.8 |
| D241,824 S * | 10/1976 | Mackay | D10/106.5 |
| D243,069 S * | 1/1977 | Igelman | D9/428 |
| D248,838 S * | 8/1978 | Pasquarette | D10/60 |
| D256,787 S | 9/1980 | Petersen | |

(Continued)

OTHER PUBLICATIONS

Smoke Alarm, image post date Sep. 7, 2010, site visited Jan. 6, 2016, (online), <<https://www.tineye.com/search/e382a5b35b065559f5818bd8235385c902058549/>>.*

(Continued)

Primary Examiner — Kevin Rudzinski

Assistant Examiner — Sean D Lough

(74) *Attorney, Agent, or Firm* — Sheridan Ross P.C.

(57) **CLAIM**

The ornamental design for a smoke alarm, as shown and described.

DESCRIPTION

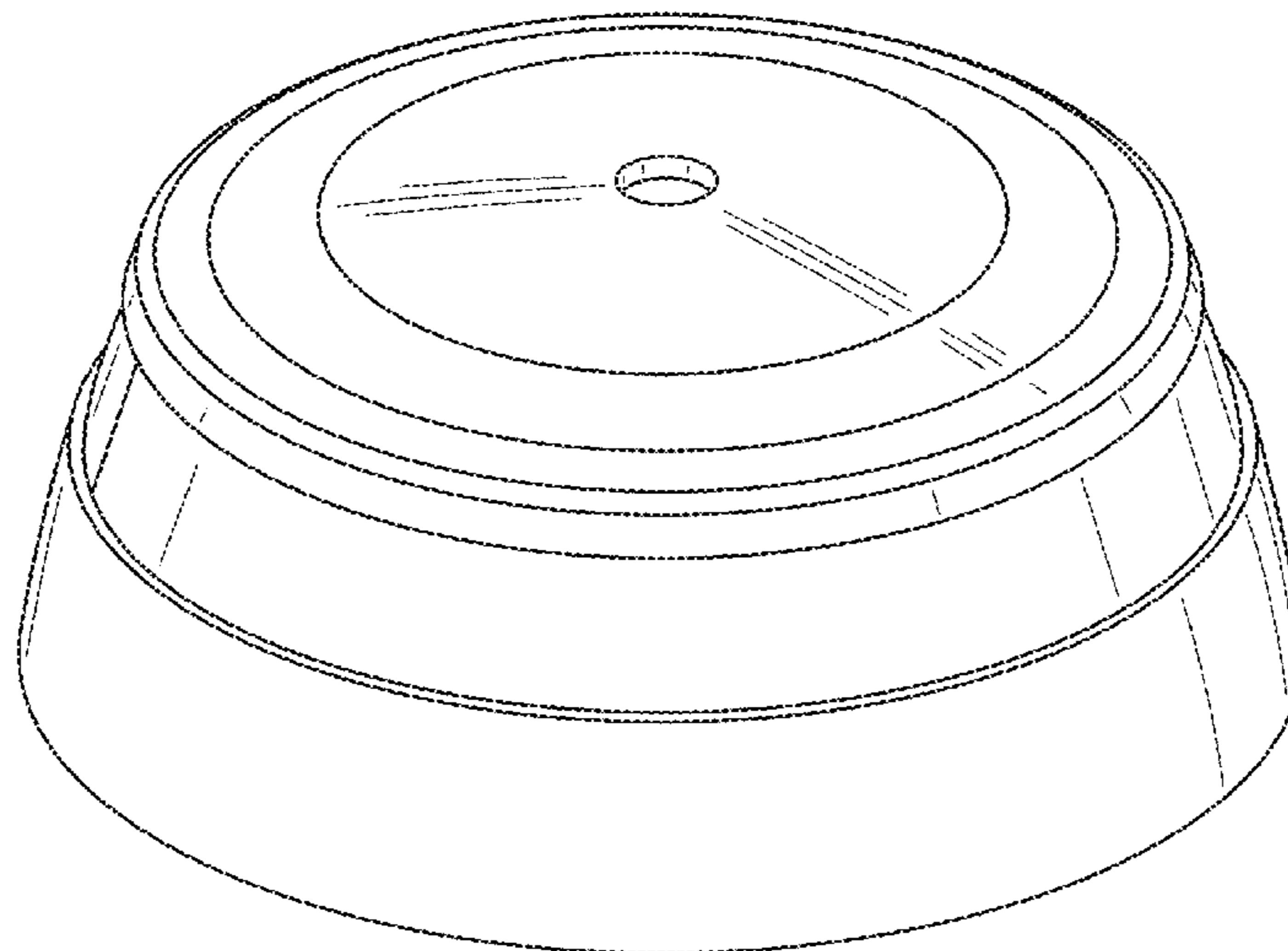
FIG. 1 is a front elevation view of the smoke alarm showing my new invention;

FIG. 2 is a front perspective view of the invention shown in FIG. 1;

FIG. 3 is a top perspective view of the invention shown in FIG. 1; and,

FIG. 4 is a top plan view of the invention shown in FIG. 1.

1 Claim, 4 Drawing Sheets



(56)

References Cited

U.S. PATENT DOCUMENTS

- D257,346 S * 10/1980 Garrigus D14/228
D259,612 S 6/1981 Wagner
4,453,203 A 6/1984 Pate
D279,872 S 7/1985 Thornton, Jr. et al.
D284,748 S 7/1986 Fenne
4,601,673 A * 7/1986 Nasca A63H 3/38
446/389
D286,399 S * 10/1986 Willy D14/222
D292,283 S * 10/1987 Matsuda D14/212
4,823,118 A 4/1989 Suzuki et al.
D308,835 S 6/1990 Fenne
D326,275 S 5/1992 Sassmannshausen et al.
D327,690 S 7/1992 Ogawa et al.
D329,990 S 10/1992 Plummer
D340,514 S 10/1993 Liao
D342,213 S * 12/1993 Fellmann D10/106.5
D346,981 S 5/1994 Ratzlaff
D347,436 S * 5/1994 Tang D14/230
D349,465 S 8/1994 Jacobs
D355,386 S * 2/1995 Fellmann D10/106.5
D357,203 S * 4/1995 Ozawa D10/106.5
D358,351 S * 5/1995 Behlke D10/106.5
D361,536 S 8/1995 Pagani et al.
D363,892 S 11/1995 Bedrosian
D363,935 S * 11/1995 McGreevy D14/230
D364,108 S 11/1995 DeWitt
D369,348 S 4/1996 Hu
D374,636 S 10/1996 Keeline
D377,460 S 1/1997 Nelson et al.
D382,175 S * 8/1997 Green D28/82
D383,407 S * 9/1997 Repp D10/106.5
D397,233 S 8/1998 Bassford
D402,577 S 12/1998 Payne et al.
D404,325 S * 1/1999 Bender D10/106.6
D415,480 S * 10/1999 Kendall D14/460
D464,630 S * 10/2002 Woodworth D13/171
D477,544 S * 7/2003 Renner D10/106.5
D481,823 S * 11/2003 McClow D26/113
D485,200 S 1/2004 Berthold et al.
D494,633 S 8/2004 Nussberger et al.
D505,632 S 5/2005 Johnson et al.
D516,238 S 2/2006 Booty, Jr.
D523,333 S * 6/2006 Moretti D9/444
D532,946 S 11/2006 Gansebom et al.
D537,480 S * 2/2007 Sullivan D19/100
7,175,297 B2 2/2007 Hagen
D538,793 S * 3/2007 Ma D14/225
D552,159 S 10/2007 Eldridge
D554,074 S * 10/2007 Laurent D13/164
D556,938 S * 12/2007 Russello D26/89
D558,692 S * 1/2008 Neveu D13/174
D563,594 S 3/2008 Held
7,396,146 B2 7/2008 Wang
D574,551 S * 8/2008 Park D26/120
7,414,538 B2 8/2008 Cook et al.
D577,301 S 9/2008 Johnson et al.
D581,081 S * 11/2008 Mier-Langner D26/72
D583,493 S 12/2008 Bucher et al.
7,473,013 B2 1/2009 Shimada
D592,088 S 5/2009 Miller
D592,633 S 5/2009 Hyneczek et al.
D598,316 S * 8/2009 Kuwano D10/114.8
D599,040 S 8/2009 Alexander
D601,053 S 9/2009 Ferrie et al.
D601,564 S 10/2009 Maeno
D603,284 S 11/2009 Sloan et al.
D605,688 S 12/2009 Germann
D607,600 S * 1/2010 Keith D26/104
D618,667 S 6/2010 Chiu
D618,849 S 6/2010 Allegretti
7,760,102 B2 7/2010 Chabanis et al.
D621,869 S 8/2010 Rockett
D625,295 S * 10/2010 Nogueira D14/218
D626,523 S * 11/2010 Mallory D13/180
D631,185 S 1/2011 Ku et al.
D633,231 S * 2/2011 Morrison D26/24
D634,308 S 3/2011 Bliss et al.
D635,476 S 4/2011 Killo et al.
D638,001 S * 5/2011 Nakhjiri D14/242
D640,199 S * 6/2011 Wilson D13/139.7
D641,645 S * 7/2011 Suzuki D10/106.5
D643,412 S 8/2011 Brady et al.
8,026,529 B2 * 9/2011 Huang F21V 5/02
257/98
D647,227 S 10/2011 Kaule et al.
D649,076 S * 11/2011 Alexander D10/106.9
D650,516 S * 12/2011 Lai D26/124
D656,130 S 3/2012 Bailey
D658,328 S 4/2012 Baldwin
D660,732 S 5/2012 Bould et al.
D661,213 S 6/2012 Hojmose
D664,874 S 8/2012 Carter et al.
D667,800 S * 9/2012 Choi D13/180
D668,164 S 10/2012 Cowles et al.
D668,577 S 10/2012 Musk
D668,712 S 10/2012 Gates
D668,981 S 10/2012 Hsiao
D668,982 S 10/2012 Hsiao
D669,381 S 10/2012 Hojmose
D673,209 S 12/2012 Reboul
D673,641 S 1/2013 Robinson
8,358,081 B2 * 1/2013 Panagotacos B64D 47/04
315/224
8,408,759 B1 4/2013 Rashidi
8,414,178 B2 4/2013 Alexander et al.
D682,131 S 5/2013 Bhate et al.
D685,790 S 7/2013 Tang
D687,328 S 8/2013 Clymer et al.
D688,516 S 8/2013 Montgomery
D689,828 S 9/2013 Pierson
D692,332 S * 10/2013 Ni D10/106.1
D694,306 S 11/2013 Katori et al.
D694,464 S 11/2013 Parres
D694,849 S * 12/2013 Ots D22/122
D698,991 S 2/2014 Tregilgas et al.
D700,904 S * 3/2014 Miller D13/168
D701,466 S 3/2014 Clifford et al.
D702,145 S 4/2014 Alexander
D702,576 S * 4/2014 McKinney D10/106.1
D703,566 S * 4/2014 Chen D10/106.5
D705,355 S * 5/2014 Webster D19/86
D706,152 S 6/2014 Ni et al.
D715,170 S * 10/2014 Brigham D10/106.5
D716,170 S 10/2014 Hojmose
D717,674 S 11/2014 Vu et al.
8,939,612 B2 * 1/2015 Masuda F21S 8/026
362/294
D724,970 S 3/2015 Hasegawa et al.
D725,088 S 3/2015 Kwak et al.
D728,507 S 5/2015 Brandis
D729,773 S * 5/2015 Salojarvi D14/218
D731,988 S 6/2015 Urtiga
D734,473 S * 7/2015 Brandis D24/174
D737,163 S * 8/2015 Yamamoto D10/106.6
D739,777 S * 9/2015 Vu D10/103
D743,383 S * 11/2015 Hinokio D14/225
D743,465 S * 11/2015 Aglassinger D16/203
D746,798 S * 1/2016 Grundy D14/230
2002/0008152 A1 1/2002 Yahav
2002/0080023 A1 * 6/2002 DeMarco B60Q 1/2611
340/463
2002/0149566 A1 10/2002 Sarkissian
2003/0107549 A1 6/2003 Lu
2004/0159223 A1 * 8/2004 Kiyono A63F 13/06
84/723
2004/0265043 A1 * 12/2004 Palme A46B 11/063
401/289
2005/0110649 A1 * 5/2005 Fredericks B64D 47/06
340/815.45
2005/0146884 A1 7/2005 Scheithauer
2005/0245254 A1 * 11/2005 Hall H04W 88/08
455/426.1

(56)

References Cited

U.S. PATENT DOCUMENTS

2006/0007009 A1* 1/2006 Hess G08B 17/107
340/628
2006/0219541 A1* 10/2006 Birdwell H01H 13/52
200/310
2007/0012154 A1* 1/2007 Tsai B44C 5/005
84/95.1
2007/0017792 A1 1/2007 Chiu et al.
2007/0193867 A1* 8/2007 Lorenzo Riera H01H 13/023
200/314
2007/0253192 A1* 11/2007 Monteiro F21V 15/00
362/147
2008/0023311 A1* 1/2008 Lin H01H 13/12
200/341
2008/0158887 A1 7/2008 Zhu
2009/0086474 A1 4/2009 Chou
2009/0129086 A1* 5/2009 Thompson, III F21S 8/02
362/249.02
2010/0014286 A1* 1/2010 Yoneda F21V 5/00
362/231
2011/0063849 A1* 3/2011 Alexander F21S 48/328
362/294
2011/0121734 A1* 5/2011 Pape F21V 25/12
315/86
2011/0140147 A1* 6/2011 Chen F21V 5/04
257/98

OTHER PUBLICATIONS

Undermount Single Bowl, image post date 2002, site visited Jan. 6, 2016, (online), <<http://www.wayfair.com/LessCare-16.13-x-16.13-Undermount-Single-Bowl-Bar-Bar-Sink-L101-LSCR1000.html>>.*

U.S. Appl. No. 29/480,852, filed Jan. 30, 2014, Hojmose.
U.S. Appl. No. 29/484,043, filed Mar. 5, 2014, Hojmose.
“First Alert Atom Photoelectric Smoke & Fire Alarm P1000,” First Alert Store, image posted Mar. 13, 2014, 2 pages [retrieved Sep. 14, 2015 from: <http://www.firstalertstore.com/store/products/first-alert-atom-photoelectric-smoke-and-fire-alarm-p1000.htm>].
“Mini Bluetooth 3.0 Wireless Music Audio Receiver Adapter Partner w/Mic For iPod iPad iPhone 4S 5,” AliExpress, image post date 2011, 7 pages [retrieved on May 28, 2015 from: <http://www.aliexpress.com/item/1pcs-Mini-Bluetooth-3-0-Wireless-Music-Audio-Receiver-Adapter-Partner-w-Mic-For-iPod-iPad/1566762601.html?>].
“Speco Discreet Color Ceiling Mount Camera—Views Sideways or Straight Down: CVC-5625D,” Altex, Jun. 20, 2009, 2 pages [retrieved Jul. 1, 2015 from: <http://web.archive.org/web/200906200002336/http://www.altex.com/Speco-Discreet-Color-Ceiling-Mount-Camera-Views-Sideways-or-Straight-Down-CVC-562SD-P141826.aspx>].
“V-Step Cone Pulley,” TineEye, image post date Mar. 13, 2010, 1 page [retrieved on Jul. 1, 2015 from: <https://www.tineye.com/search/68f7b9b7f4b029683a9f96a6c6db830ea6598869>].
Hossoni BF “Photoelectric (CE approved, light sensor, photoelectric sensor, sensor switch, photocell),” Lulusoso.com, image post date May 30, 2012, 6 pages [retrieved on May 28, 2015 from: <http://sell.lulusoso.com/selling-leads/1990388/Photoelectric-CE-approved-light-sensor-photoelectric-sensor-sensor-switch-photocell.html>].
Search Report for United Kingdom Patent Application No. GB 1315967.8 dated Feb. 19, 2014, 1 page.

* cited by examiner

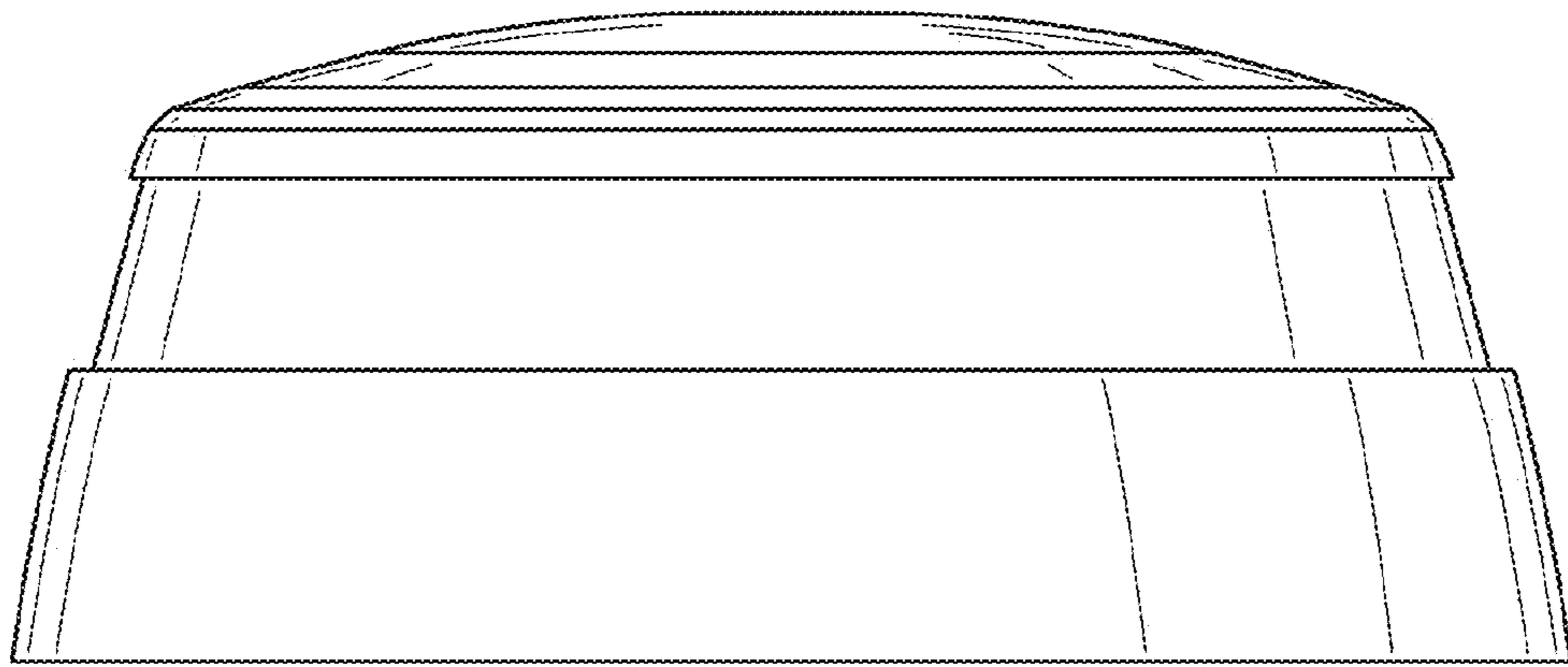


FIG.1

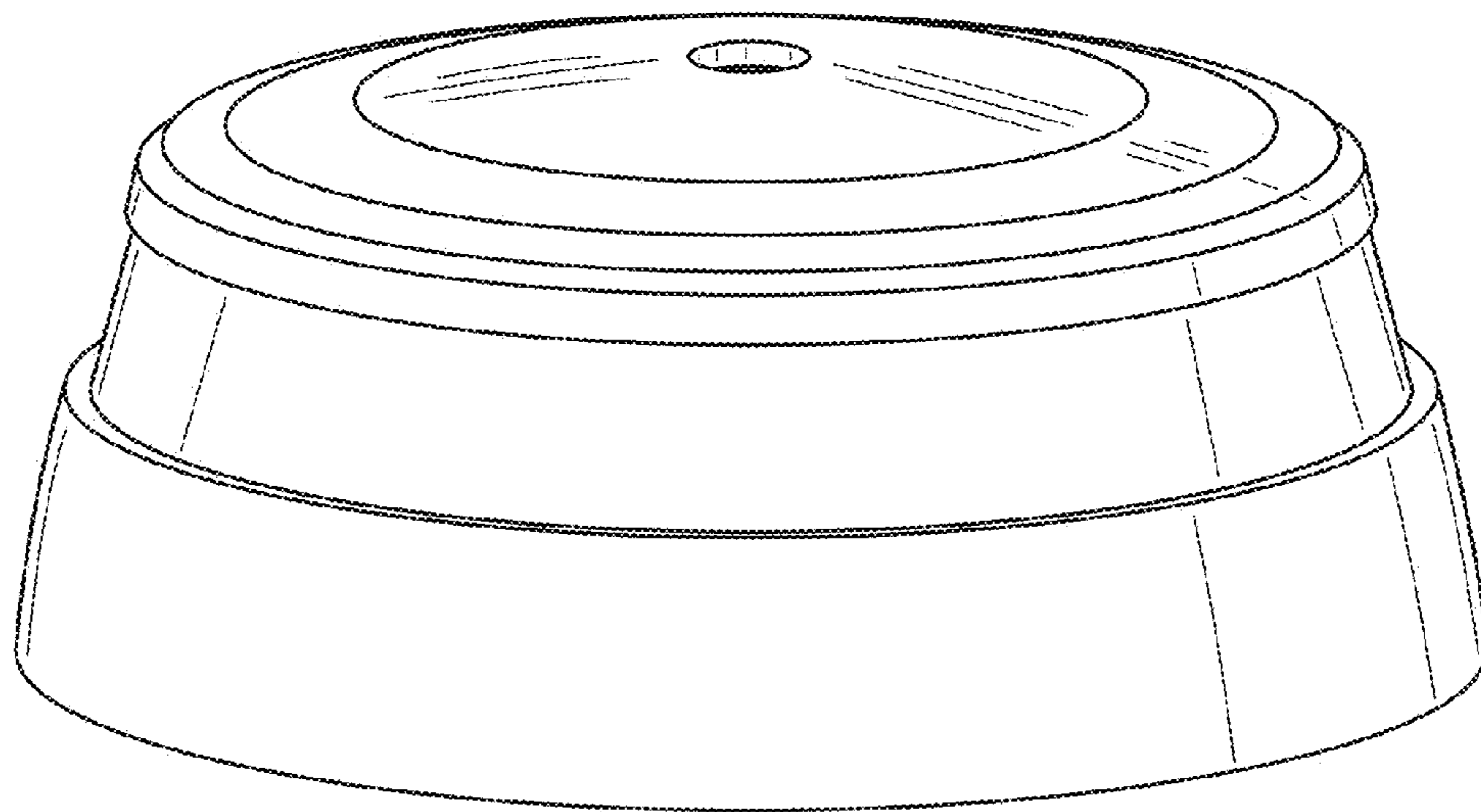


FIG.2

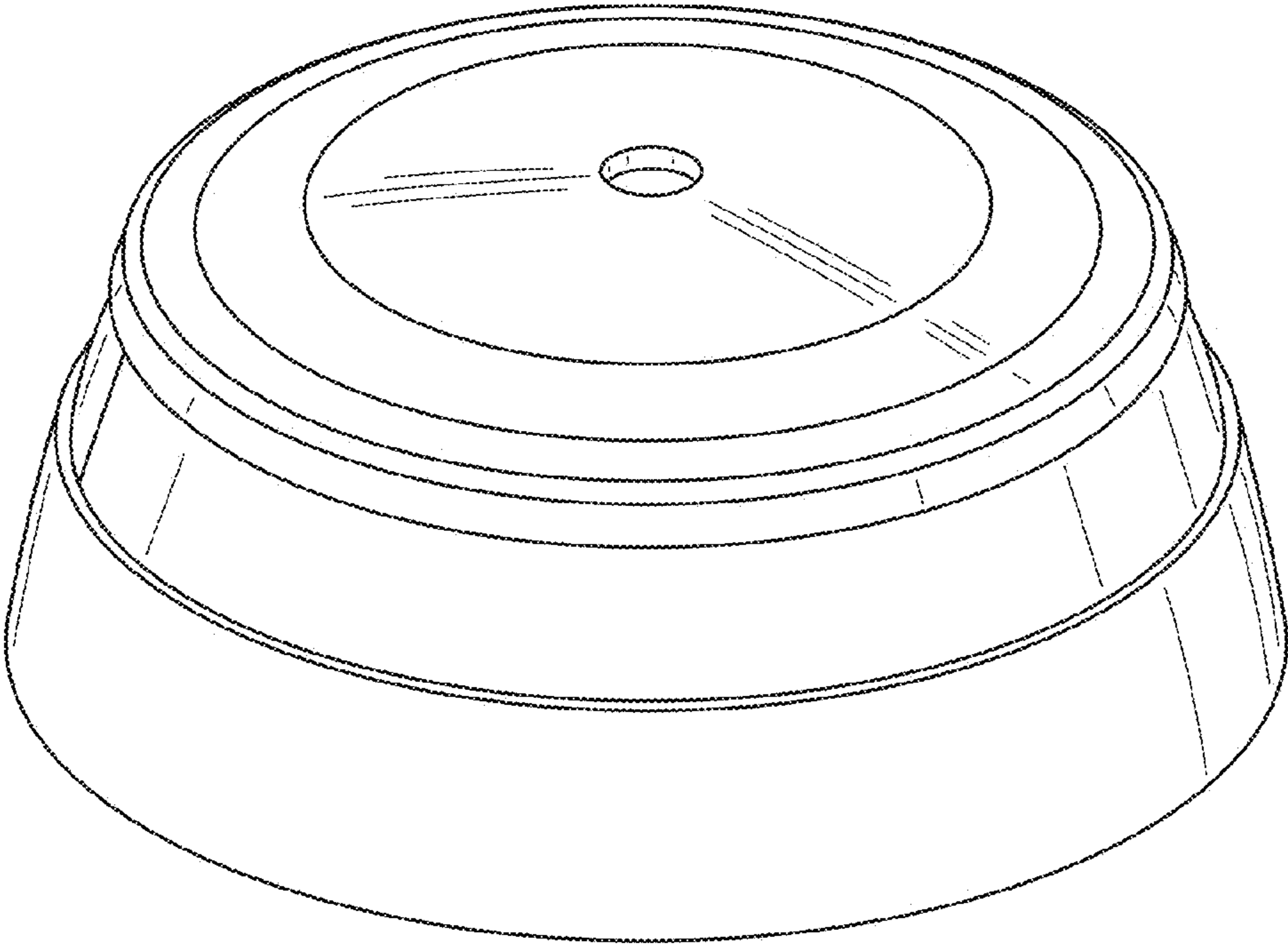


FIG.3

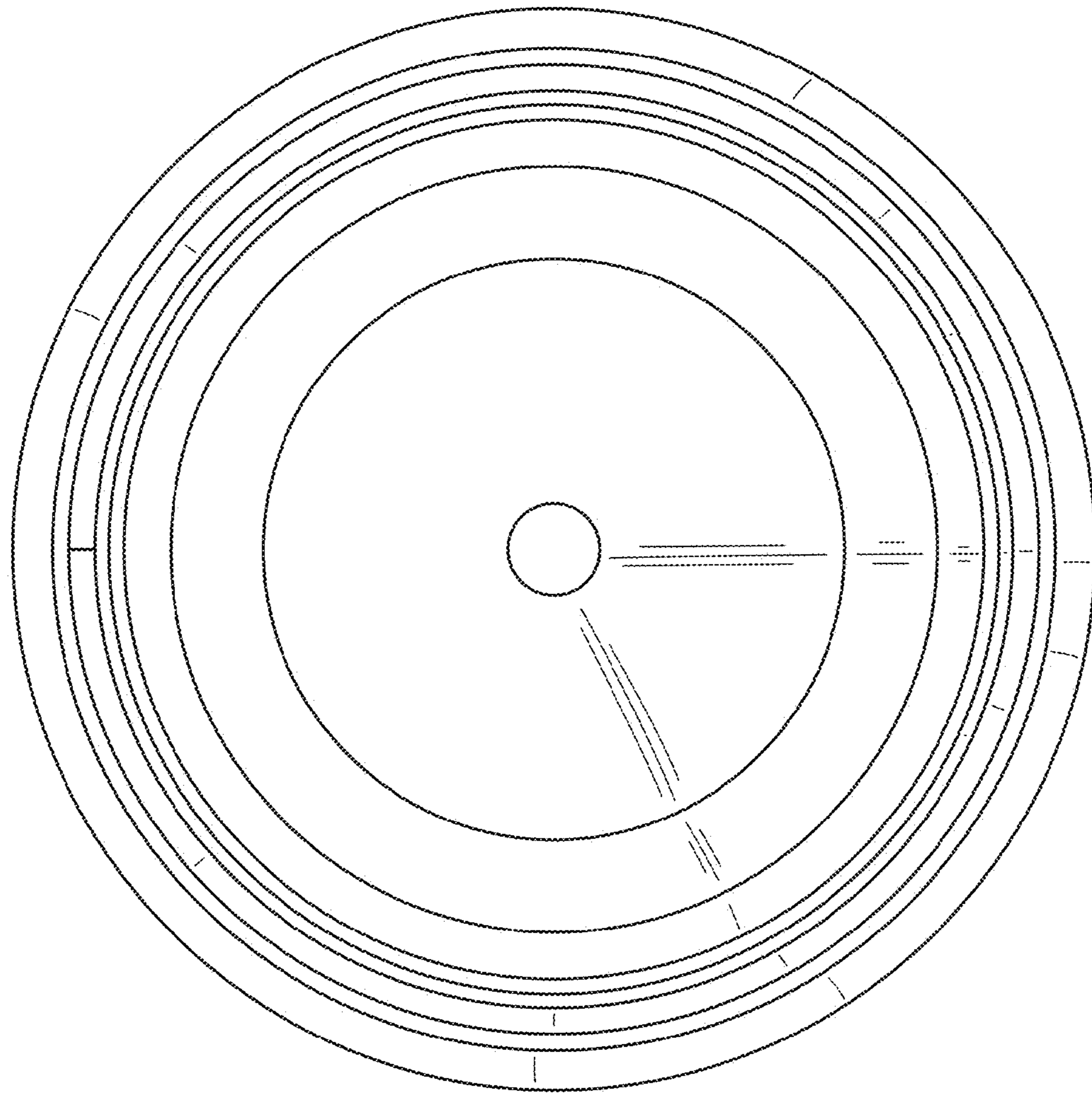


FIG.4