



US00D757582S

(12) **United States Design Patent**
Miles et al.

(10) **Patent No.:** **US D757,582 S**

(45) **Date of Patent:** **** *May 31, 2016**

(54) **PRESSURE TRANSDUCER**

(71) Applicant: **Viatran Corporation**, Wheatfield, NY
(US)

(72) Inventors: **Matthew D. Miles**, Franklin, MA (US);
Surinder Sood, West Seneca, NY (US);
John R. Biagioni, Whitinsville, MA
(US); **Joel D. Neri**, Youngstown, NY
(US); **Seth M. Nochajski**, Williamsville,
NY (US)

(73) Assignee: **Viatran Corporation**, Wheatfield, NY
(US)

(*) Notice: This patent is subject to a terminal dis-
claimer.

(**) Term: **14 Years**

(21) Appl. No.: **29/512,211**

(22) Filed: **Dec. 17, 2014**

(51) **LOC (10) Cl.** **10-04**

(52) **U.S. Cl.**
USPC **D10/85**

(58) **Field of Classification Search**
USPC D10/83-85; 73/700-716, 725, 726,
73/753, 756; 137/487.5; 285/354, 347,
285/379; 367/188; 361/761, 764

CPC G01L 19/0069; G01L 19/0627; G01L
19/142; G01L 19/14; G01L 19/04; G01L
19/145; G01L 19/147; G01L 19/0645; G01L
9/002; G01L 9/0051; G01L 9/0022; G01L
9/00

See application file for complete search history.

(56) **References Cited**

U.S. PATENT DOCUMENTS

D695,140 S * 12/2013 Ashino D10/85
D711,266 S 8/2014 Miles et al.

* cited by examiner

Primary Examiner — Antoine D Davis

(74) *Attorney, Agent, or Firm* — Wolf, Greenfield & Sacks,
P.C.

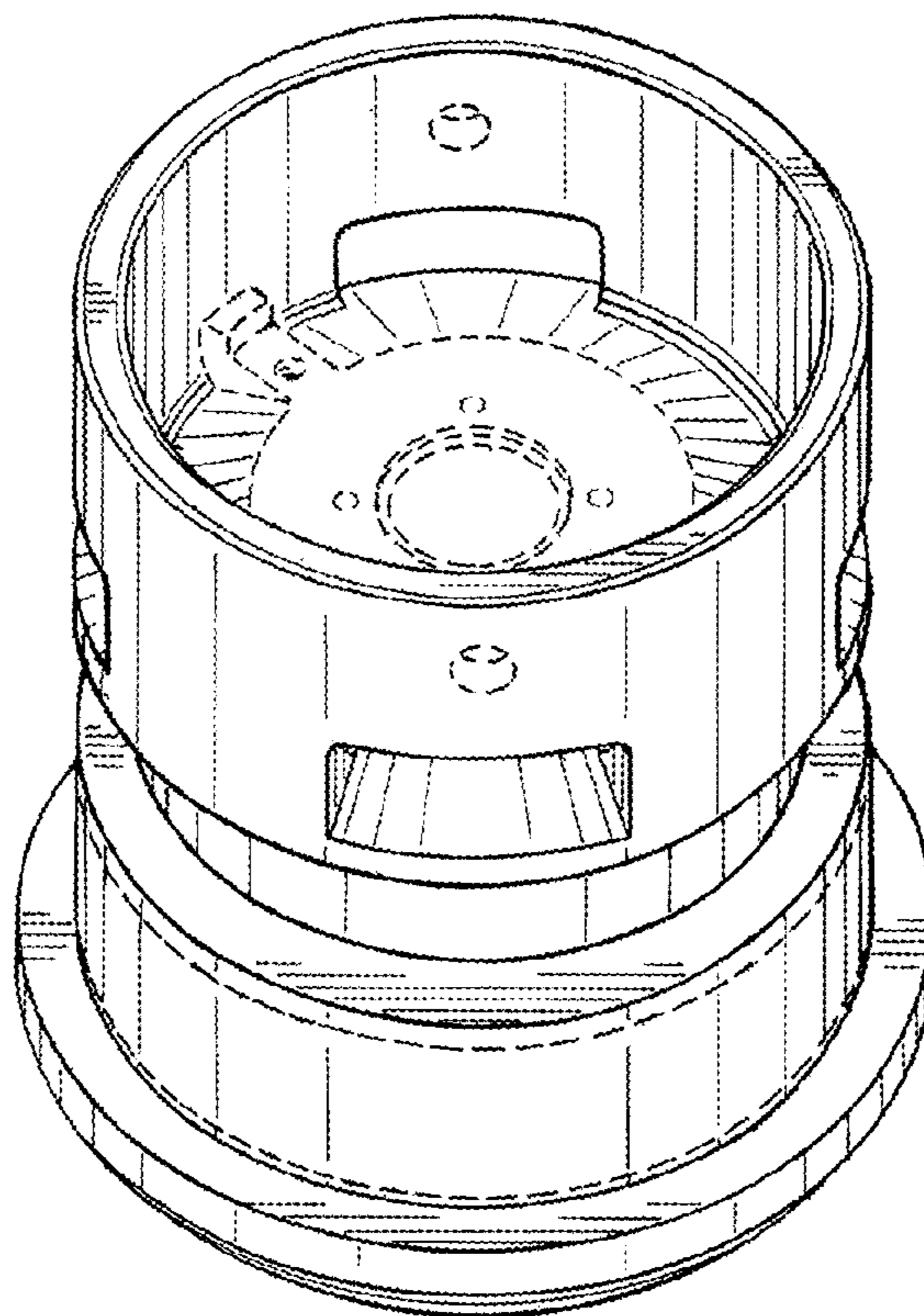
(57) **CLAIM**

The ornamental design for a pressure transducer, as shown
and described.

DESCRIPTION

FIG. 1 is a perspective view of the pressure transducer;
FIG. 2 is a side view thereof;
FIG. 3 is a top view thereof; and,
FIG. 4 is a bottom view thereof.
The broken lines of FIGS. 1-4 illustrate portions of the pres-
sure transducer that form no part of the claimed design.

1 Claim, 2 Drawing Sheets



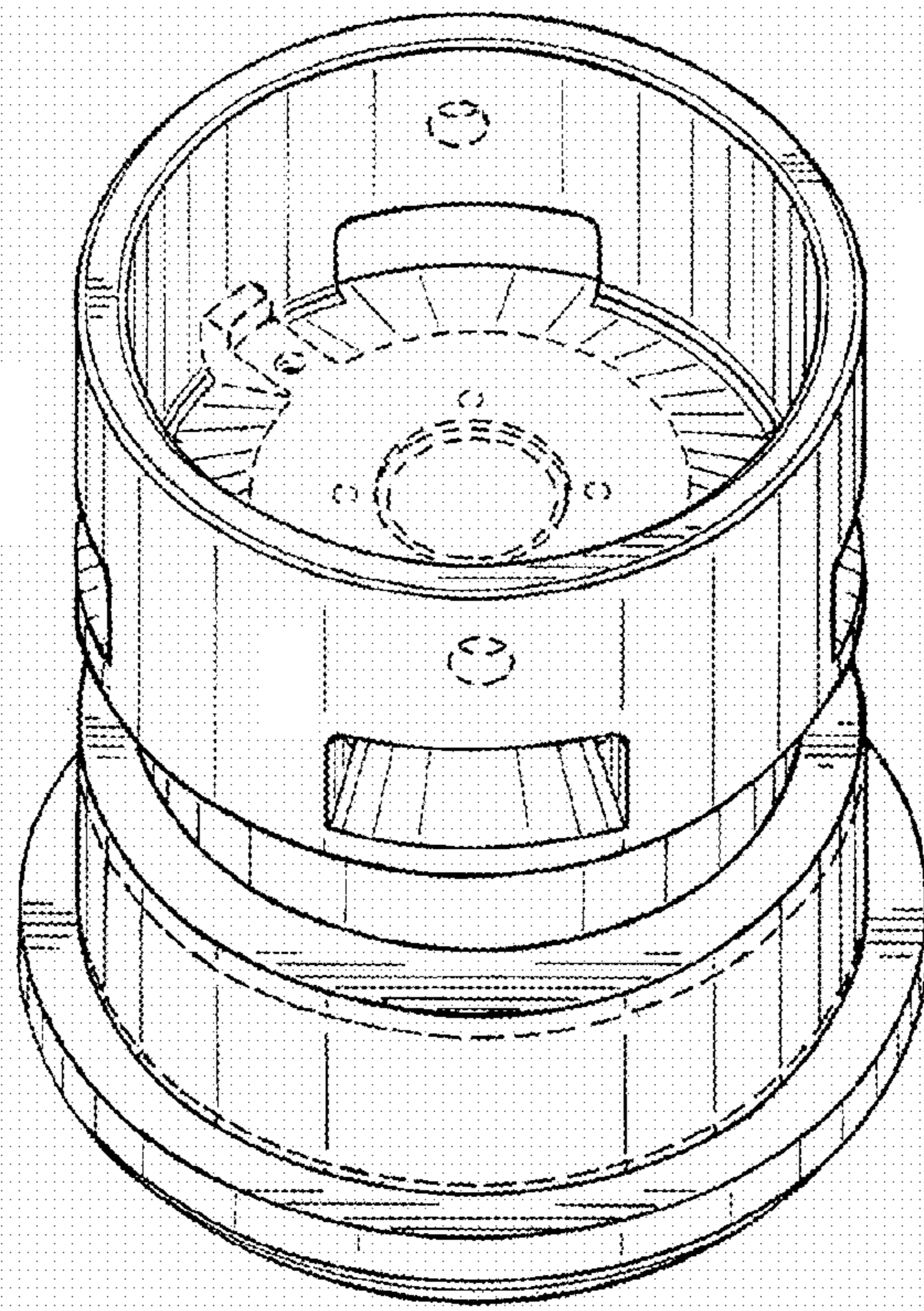


Fig. 1

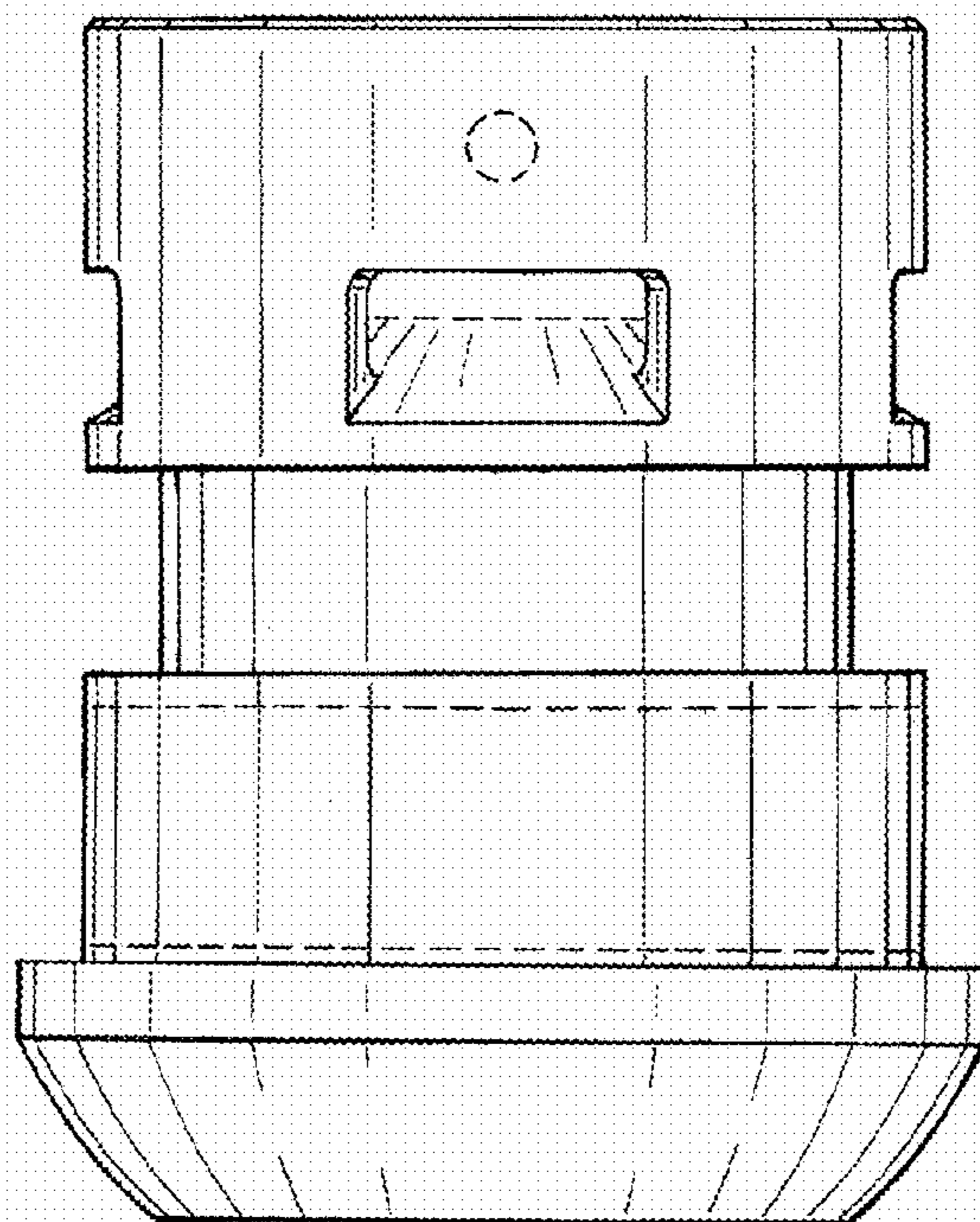


Fig. 2

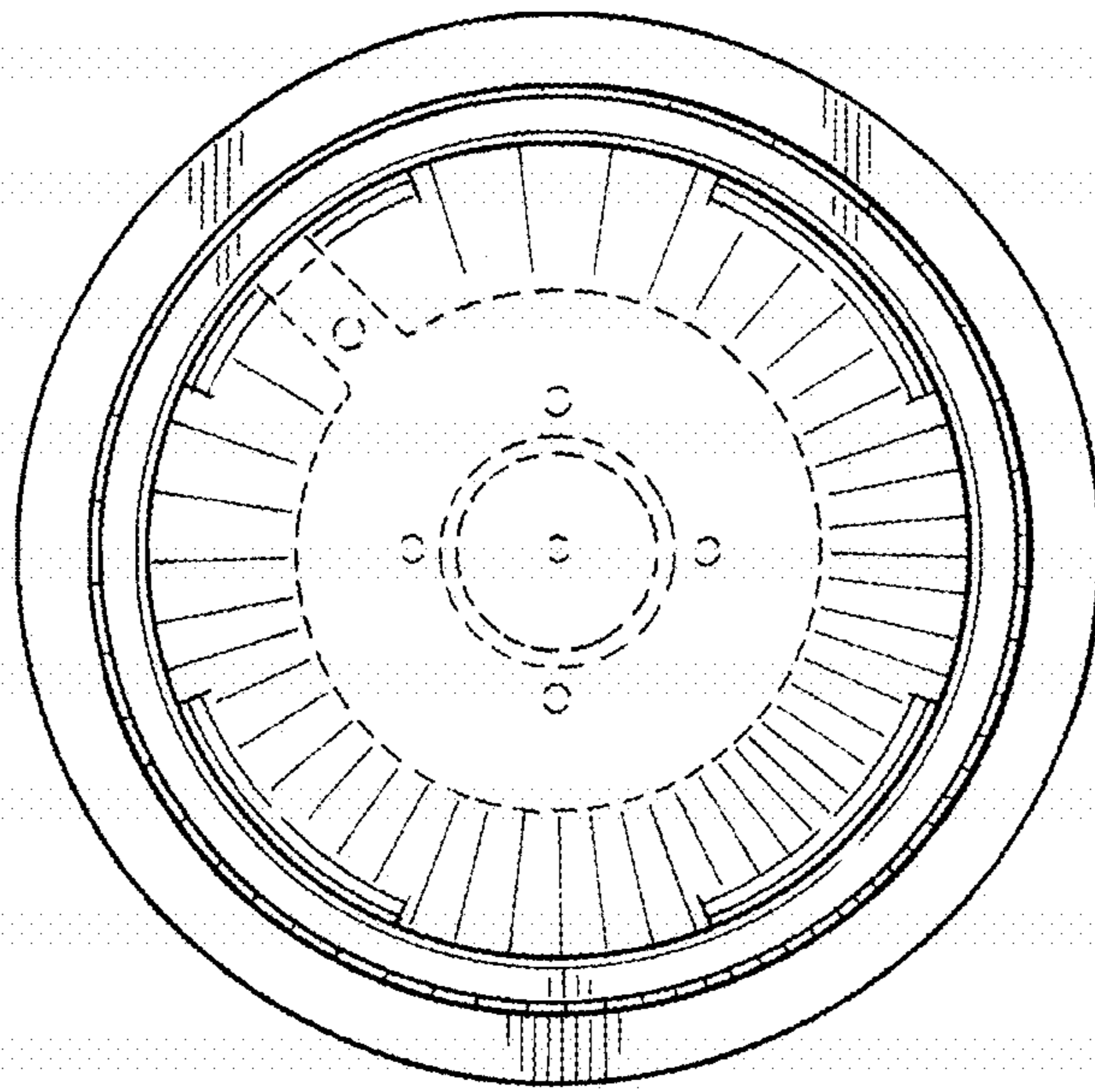


Fig. 3

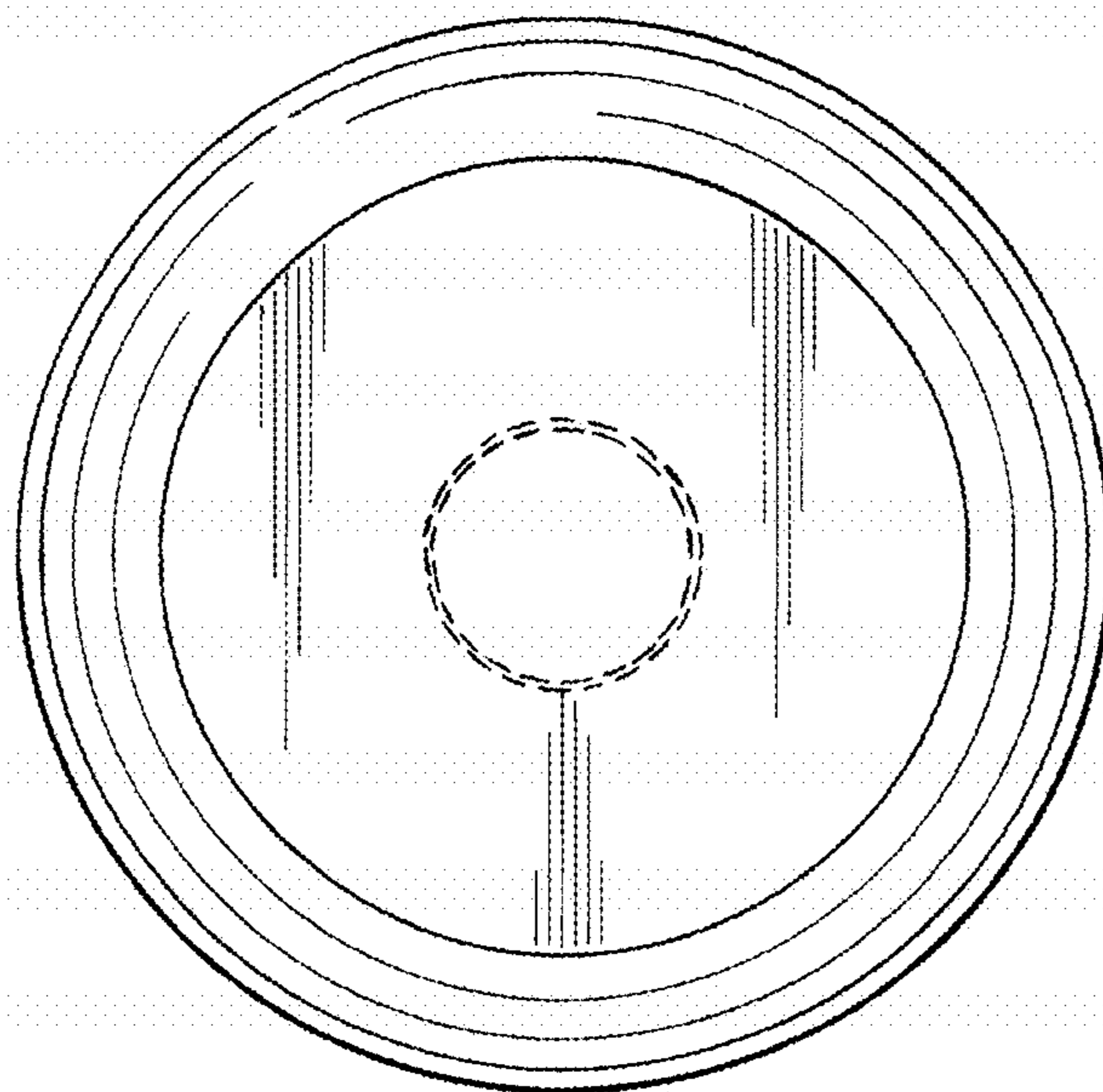


Fig. 4