



US00D757579S

(12) **United States Design Patent**
Aromin et al.

(10) **Patent No.:** **US D757,579 S**
(45) **Date of Patent:** **** May 31, 2016**

- (54) **SENSOR AND CLAMP ASSEMBLY**
- (71) Applicants: **Victor V Aromin**, West Warwick, RI (US); **Paul M. Piekarski**, Foster, RI (US)
- (72) Inventors: **Victor V Aromin**, West Warwick, RI (US); **Paul M. Piekarski**, Foster, RI (US)
- (73) Assignee: **Tower Manufacturing Corporation**, Providence, RI (US)
- (**) Term: **14 Years**
- (21) Appl. No.: **29/508,621**
- (22) Filed: **Nov. 7, 2014**

| | | | |
|-------------------|---------|----------------|--------------------------|
| D552,495 S * | 10/2007 | Bhavnani | D10/74 |
| D595,167 S * | 6/2009 | Au Yeung | D10/70 |
| D614,982 S * | 5/2010 | Au Yeung | D10/70 |
| 2006/0268162 A1 * | 11/2006 | Kayanuma | H04N 1/00204 348/375 |
| 2013/0240633 A1 * | 9/2013 | Hehlgans | G06K 19/07773 235/492 |

* cited by examiner

Primary Examiner — George D Kirschbaum

(57) **CLAIM**

The ornamental design for sensor and clamp assembly, substantially as shown and described.

DESCRIPTION

FIG. 1 is a left side perspective view of the assembled sensor and clamp assembly employing my new design;
 FIG. 2 is a left side view of FIG. 1;
 FIG. 3 is an exploded left side view of FIG. 1;
 FIG. 4 is a bottom exploded view of FIG. 1;
 FIG. 5 is a bottom assembled view of FIG. 1;
 FIG. 6 is a top exploded view of FIG. 1;
 FIG. 7 is a top assembled view of FIG. 1;
 FIG. 8 is a bottom exploded perspective view of FIG. 1;
 FIG. 9 is a bottom assembled perspective view of FIG. 1;
 FIG. 10 is a front assembled view of FIG. 1; and,
 FIG. 11 is a rear assembled view of FIG. 1.
 The right side views are not shown but are mirror images of the left side views.

Related U.S. Application Data

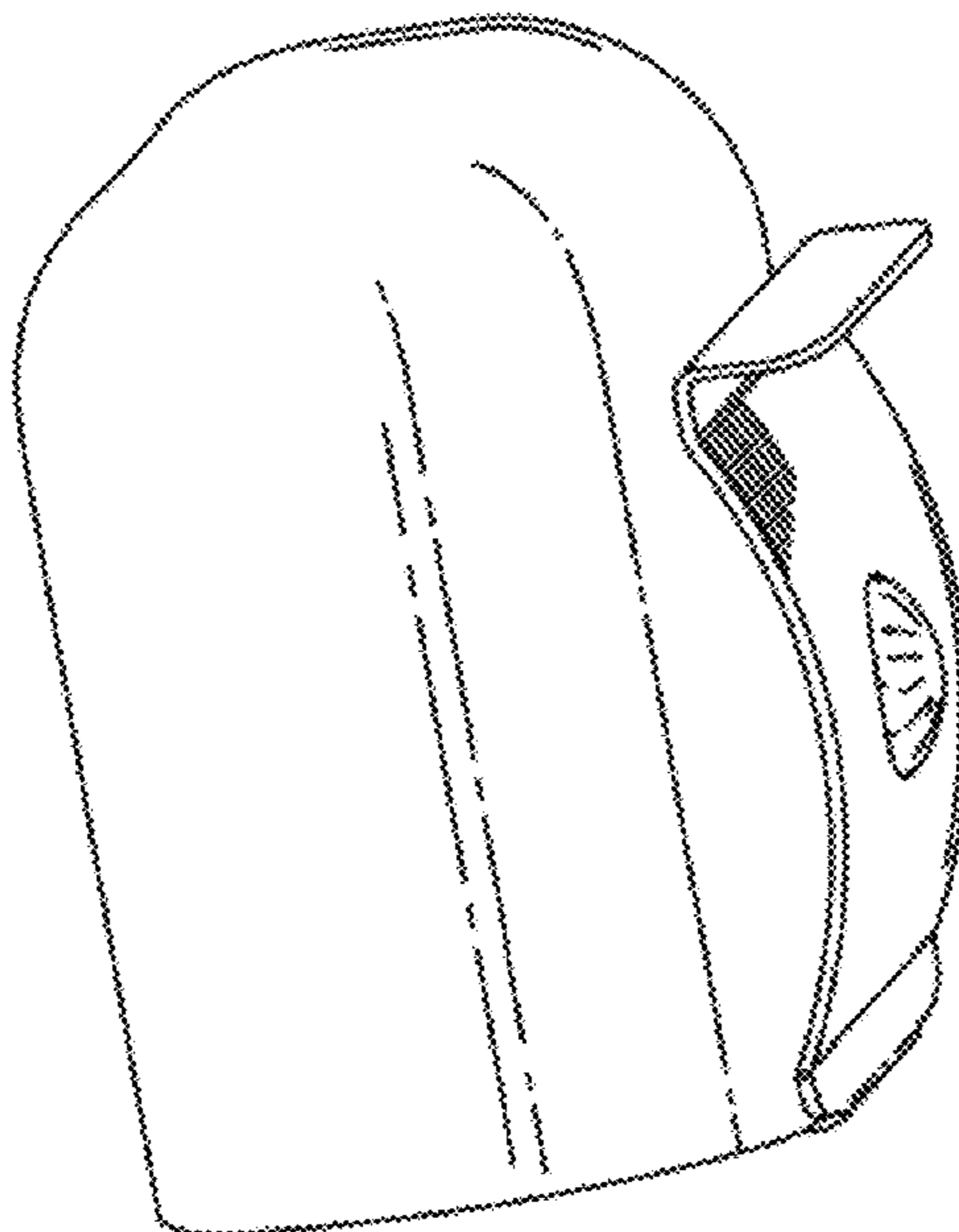
- (63) Continuation-in-part of application No. 14/312,727, filed on Jun. 24, 2014.
- (51) **LOC (10) Cl.** **10-05**
- (52) **U.S. Cl.**
USPC **D10/75**
- (58) **Field of Classification Search**
USPC D10/104.1, 104.2, 70, 75, 74; D14/142
See application file for complete search history.

References Cited

U.S. PATENT DOCUMENTS

| | | | |
|--------------|--------|------------------|---------|
| D356,798 S * | 3/1995 | Rudkiewicz | D14/142 |
| D358,822 S * | 5/1995 | Rudkiewicz | D14/142 |

1 Claim, 6 Drawing Sheets



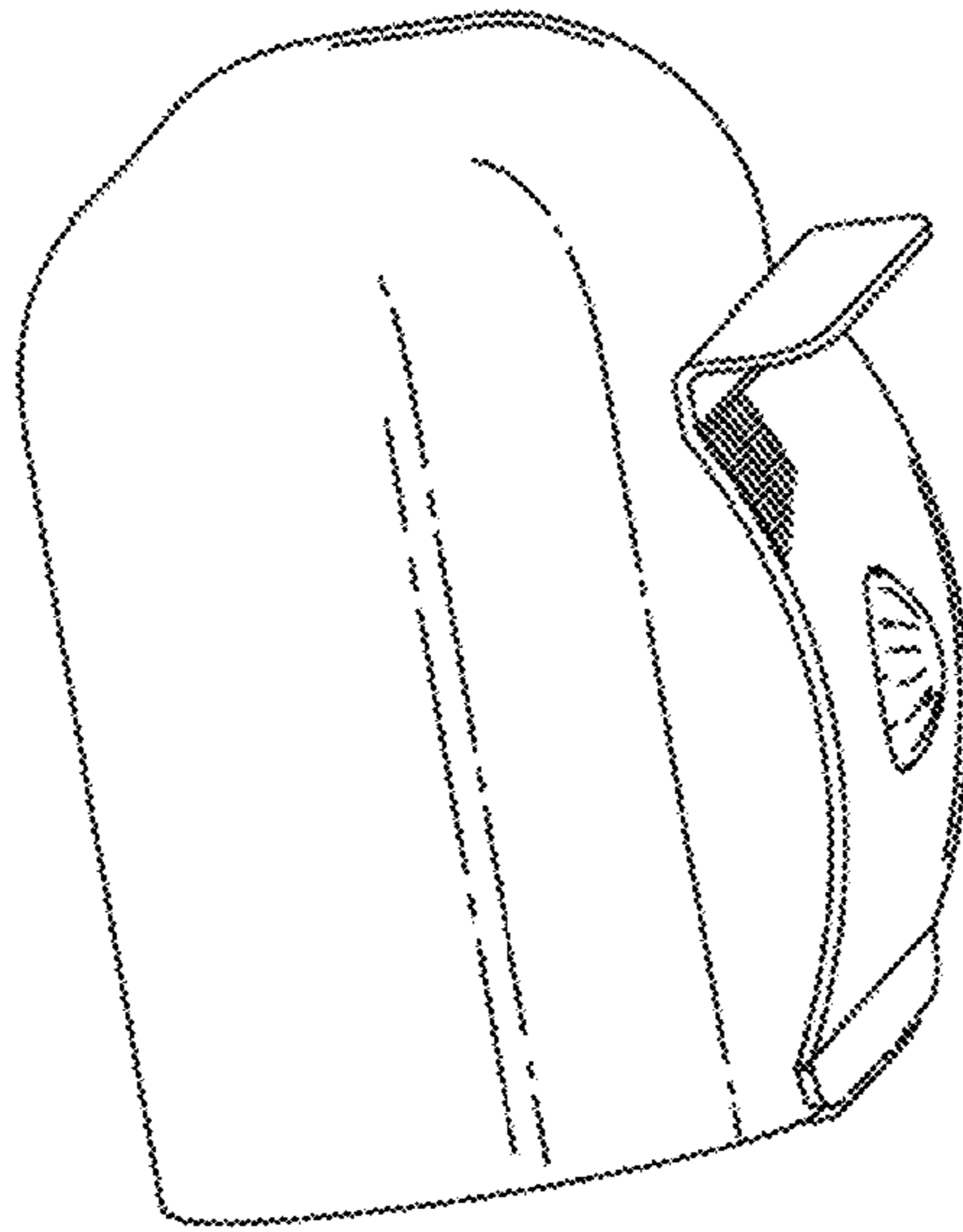


FIG. 1

FIG. 2

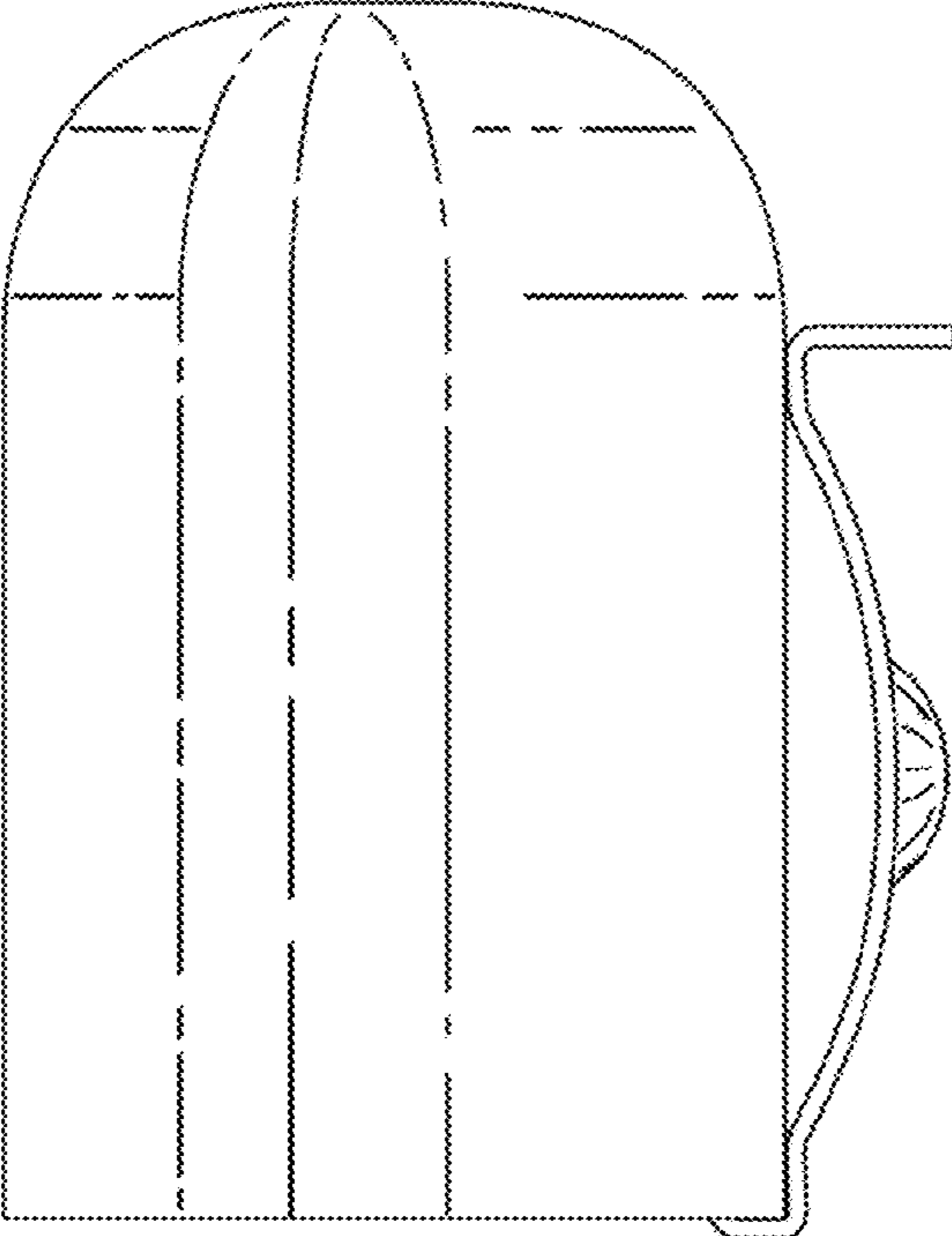
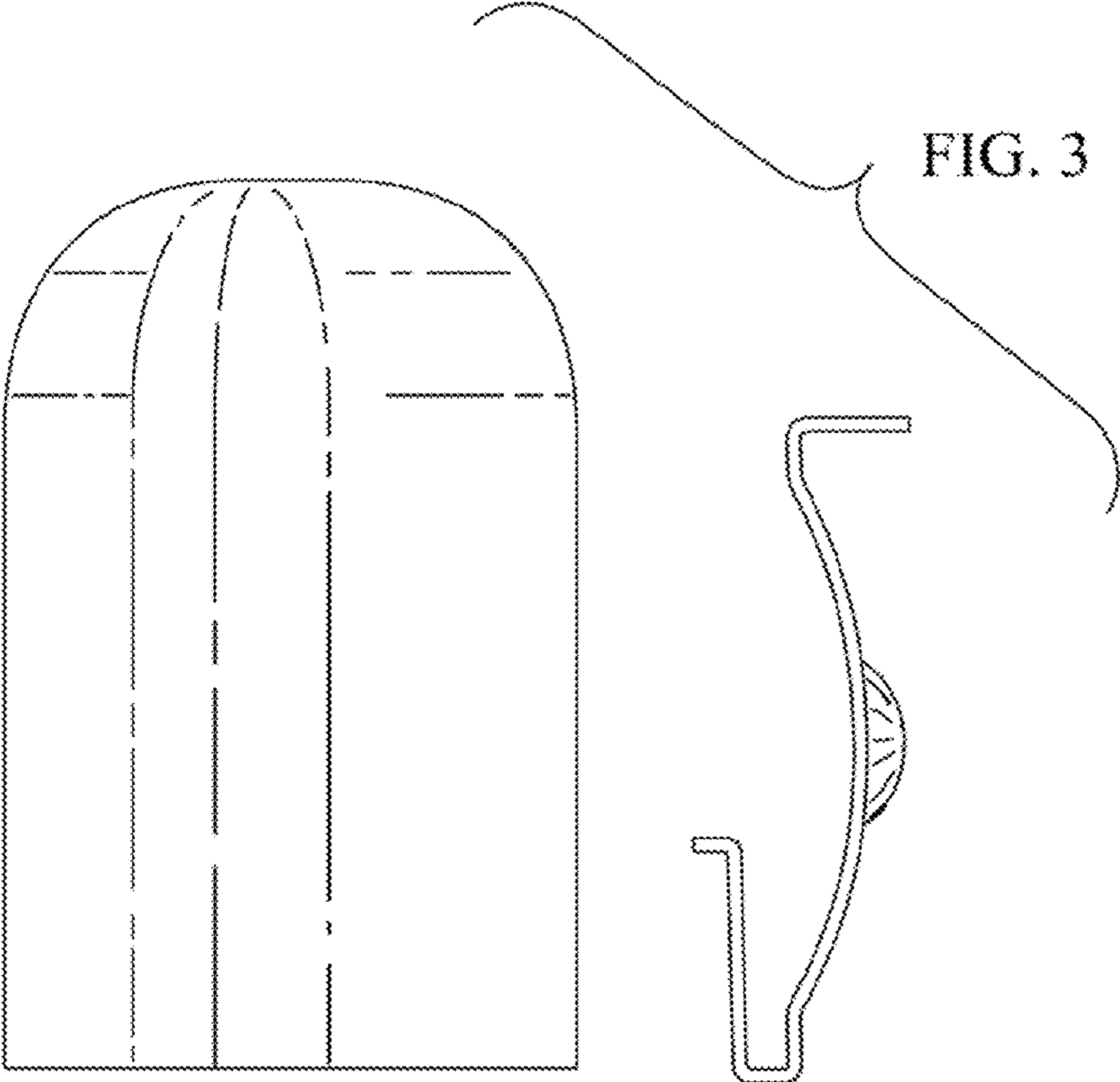


FIG. 3



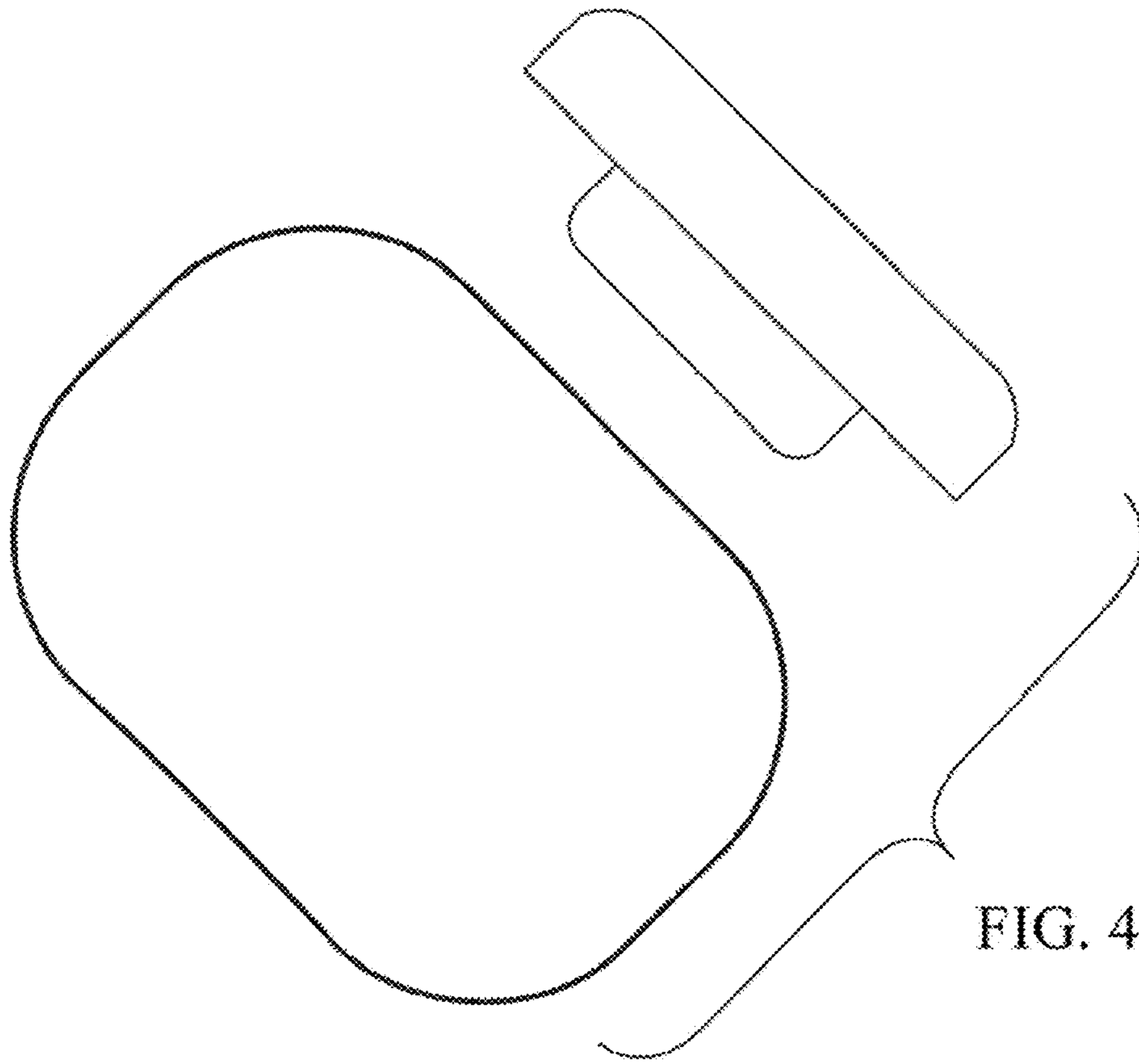


FIG. 4

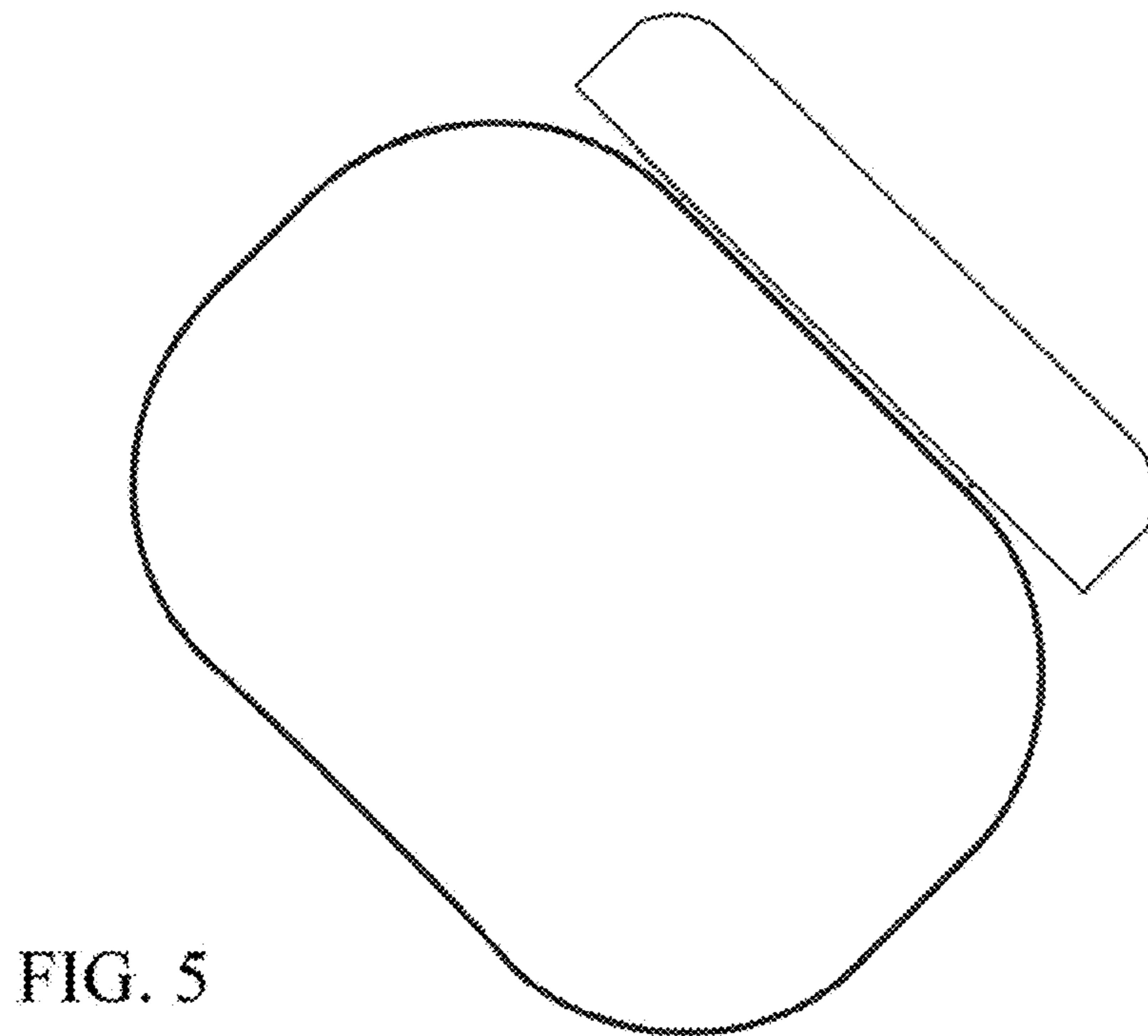


FIG. 5

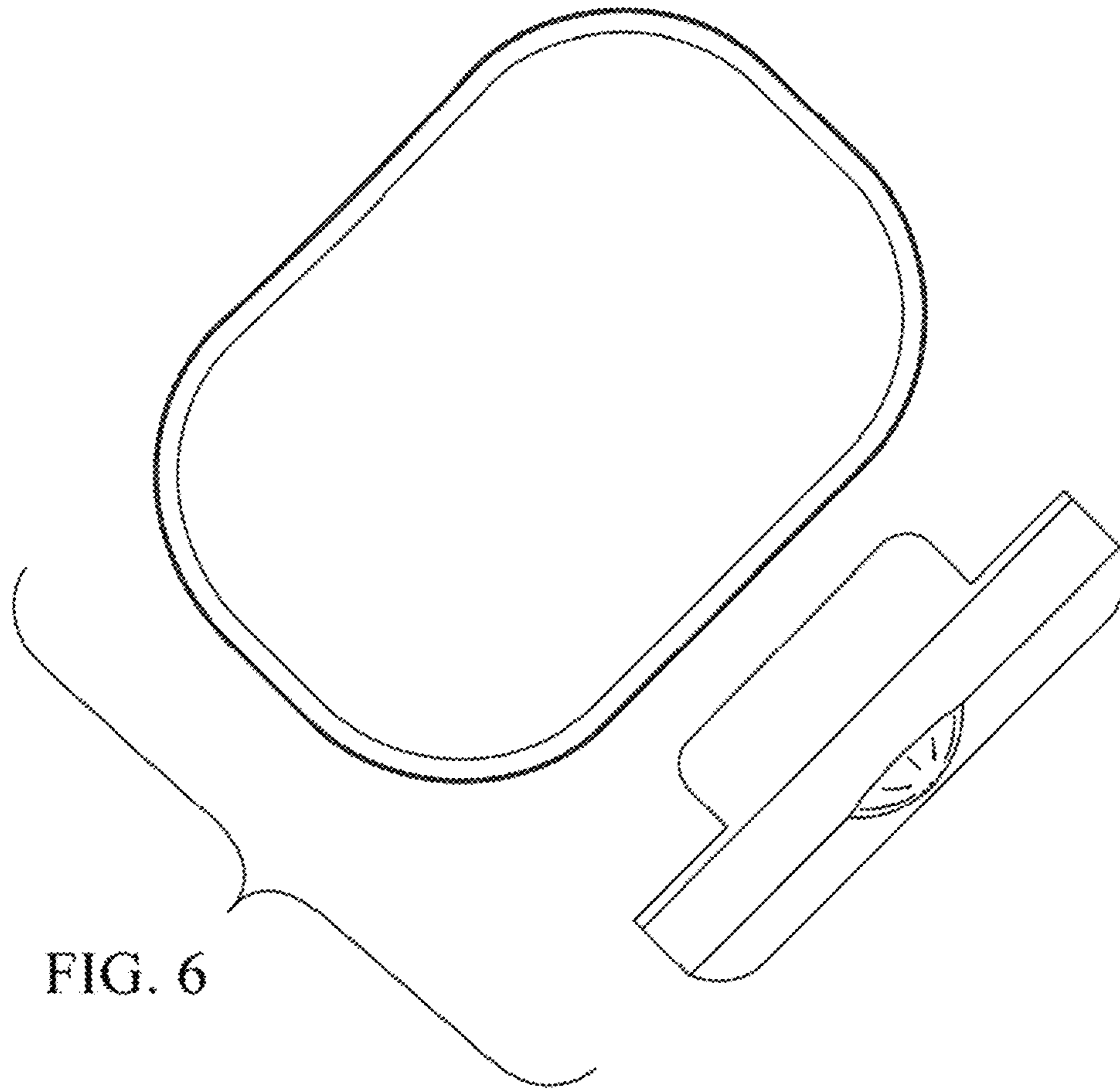


FIG. 6

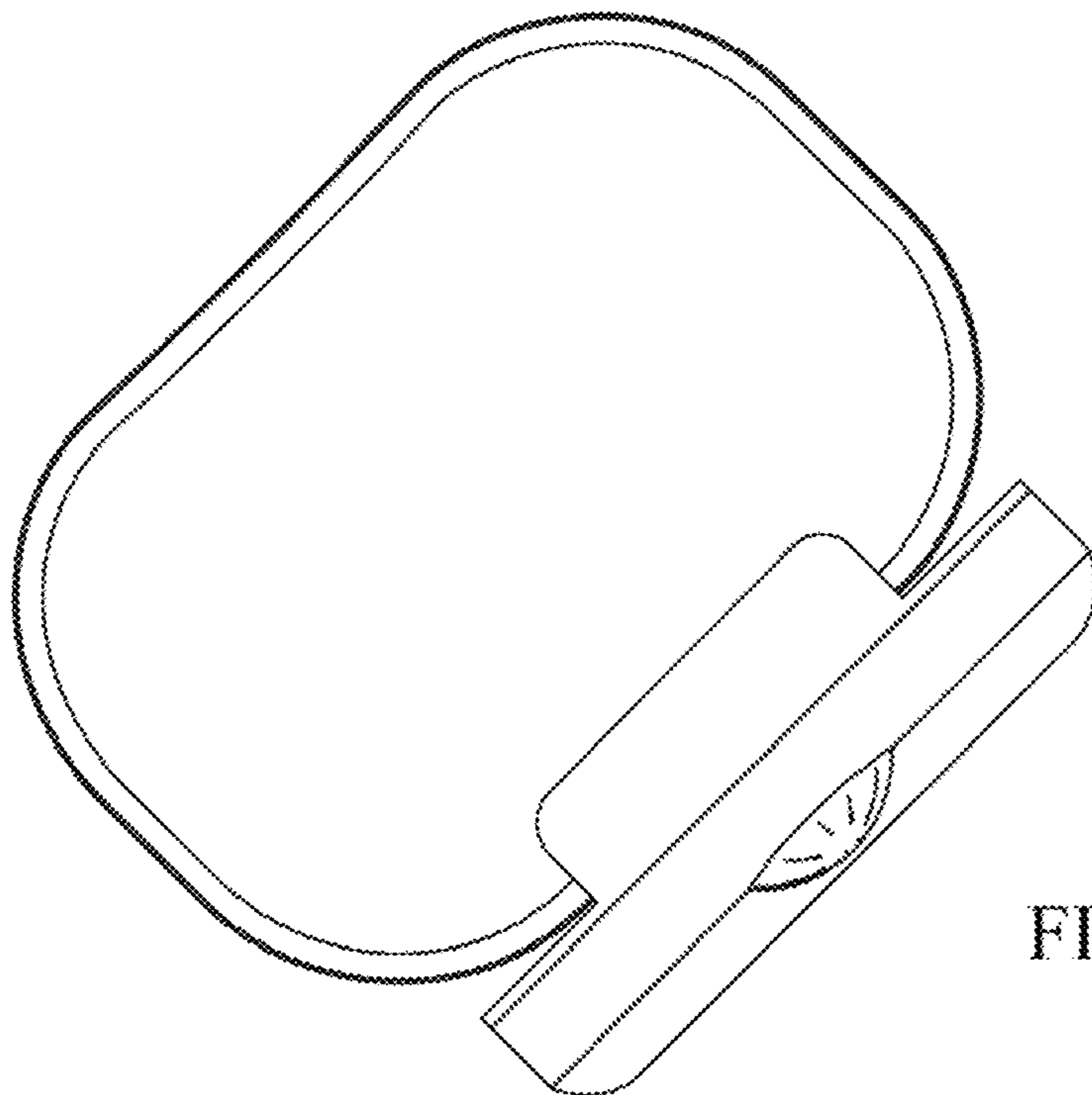
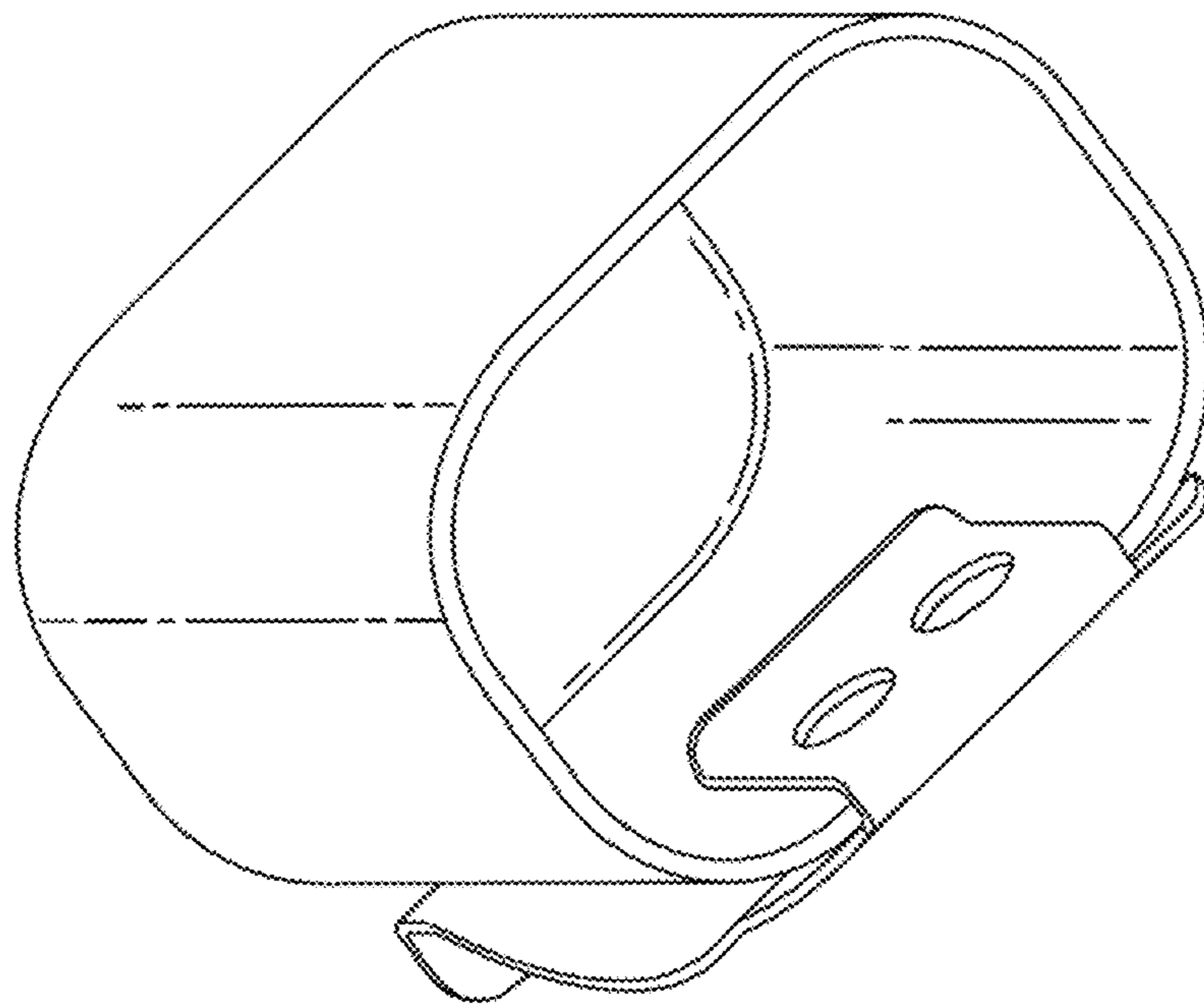
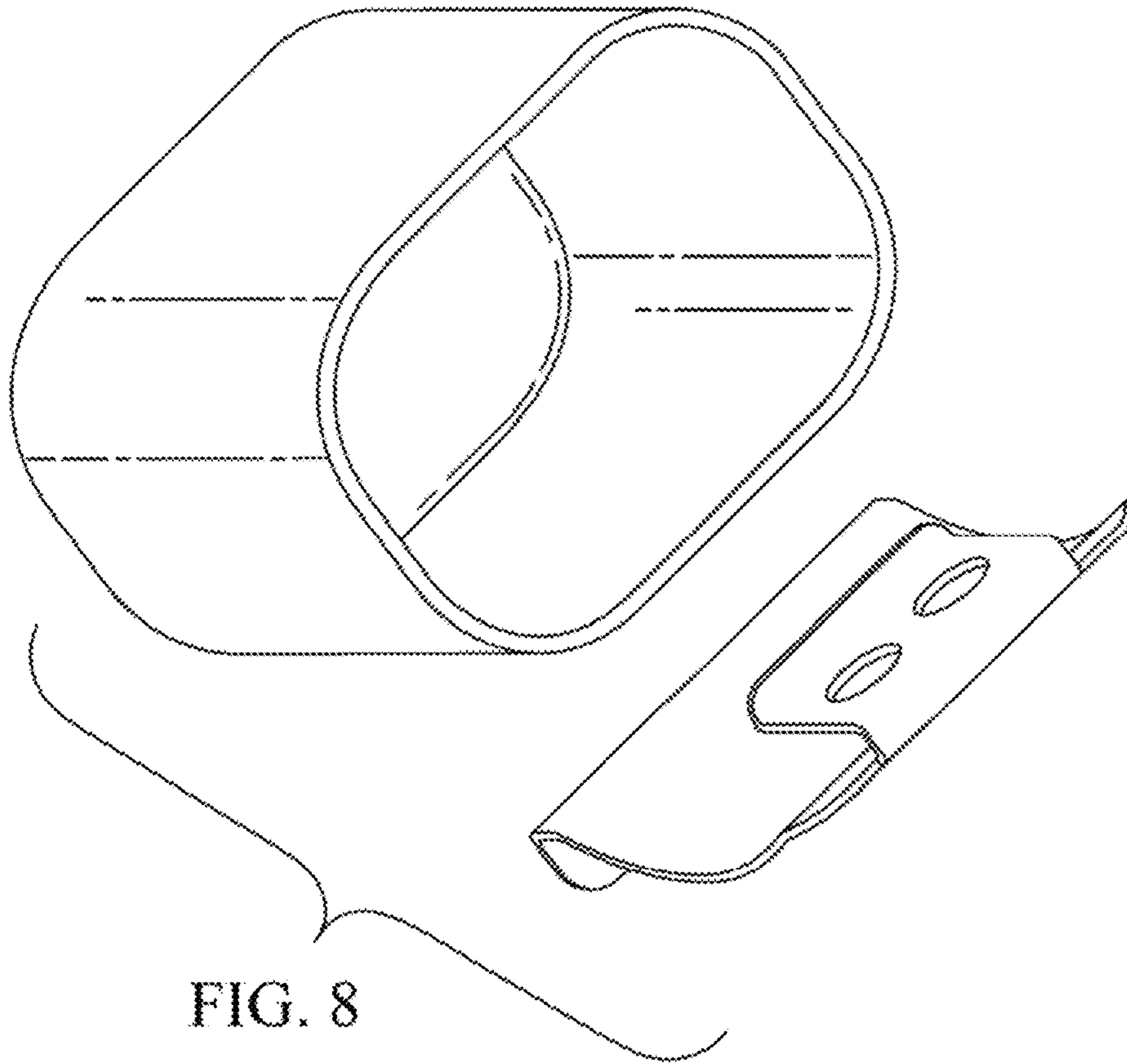


FIG. 7



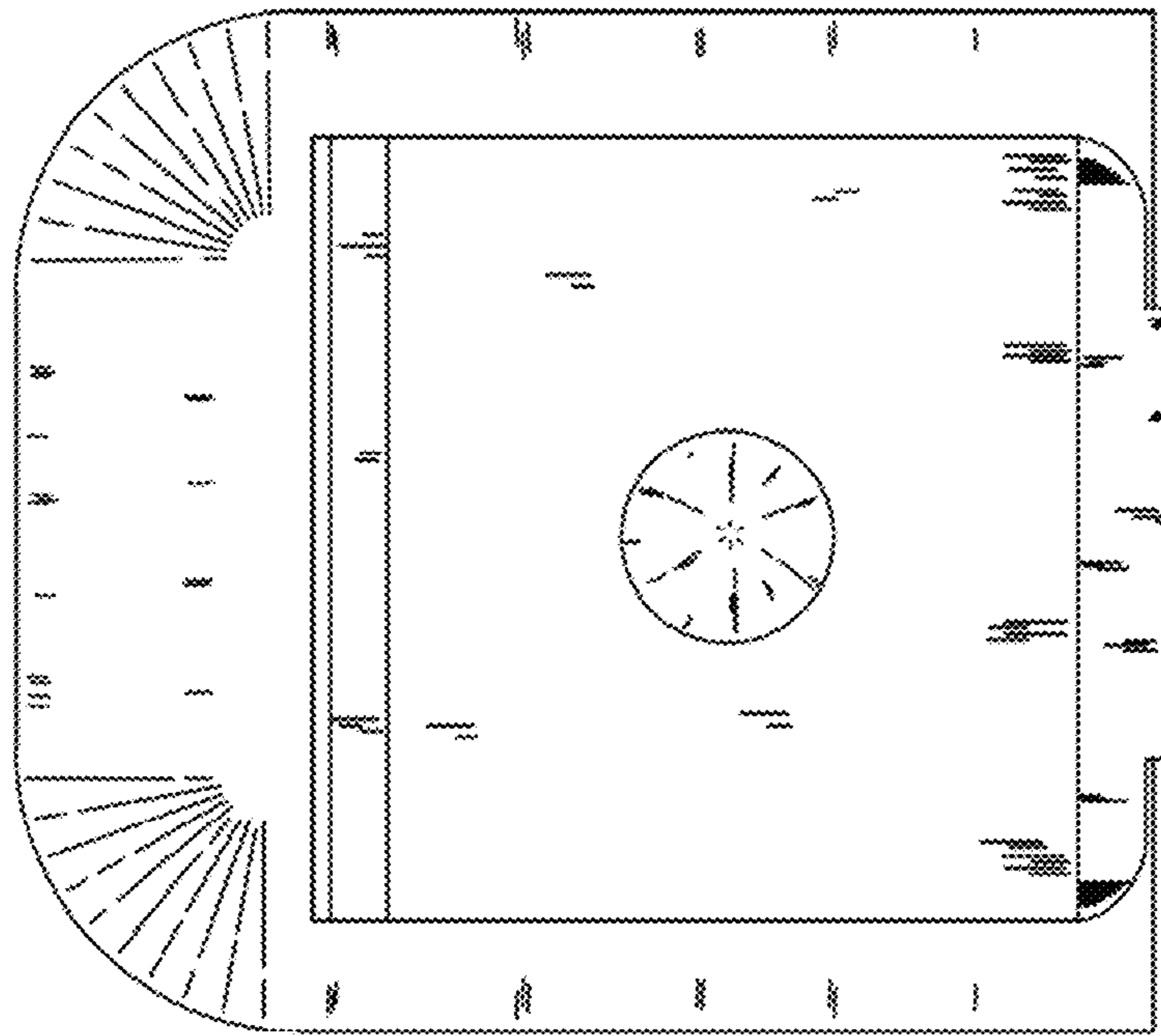


FIG. 10

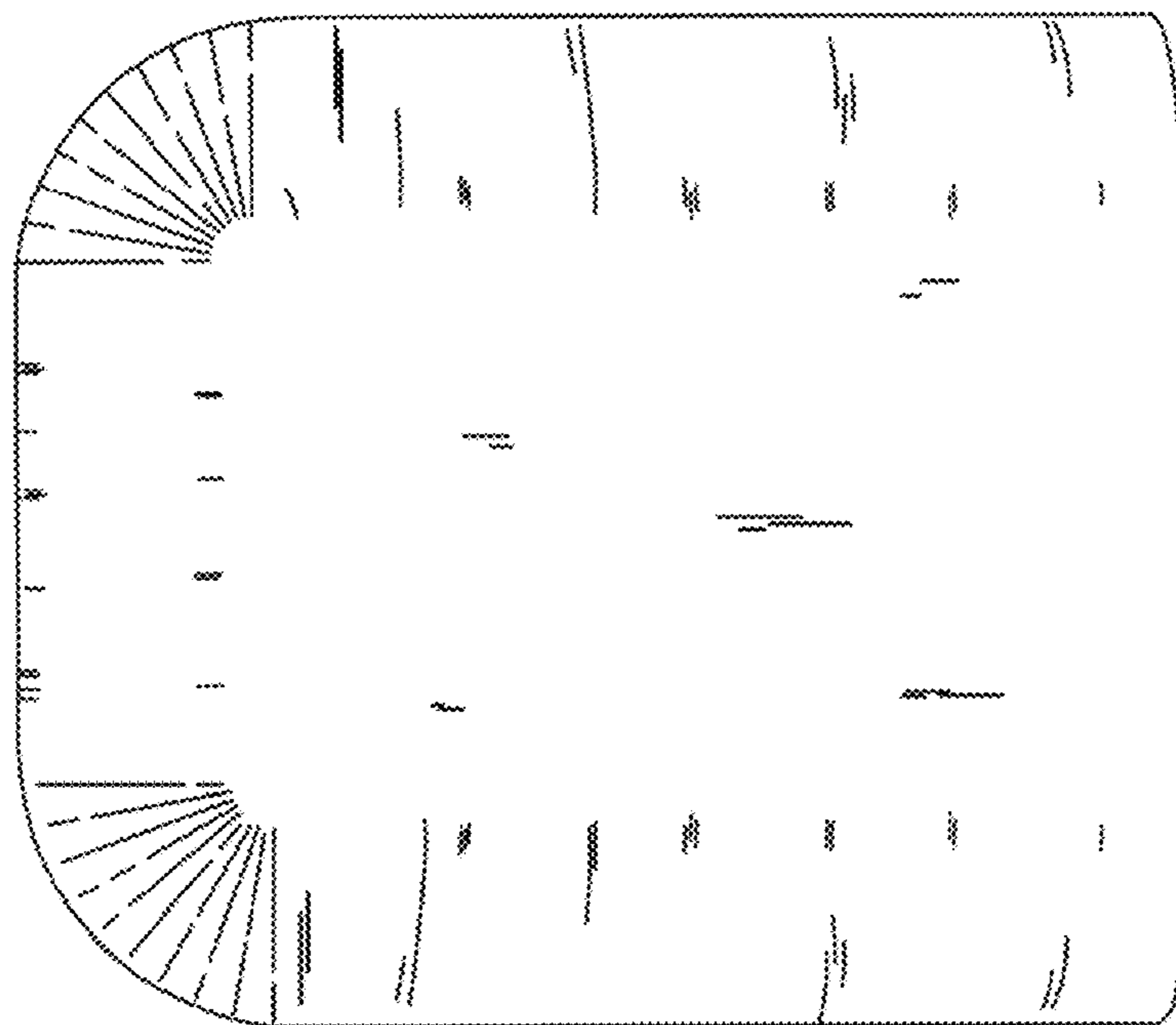


FIG. 11