



US00D757575S

(12) **United States Design Patent**  
**Song**

(10) **Patent No.:** **US D757,575 S**

(45) **Date of Patent:** **\*\* May 31, 2016**

(54) **ELECTRONIC DEVICE**

- (71) Applicant: **Samsung Electronics Co., Ltd.**,  
Suwon-si (KR)
- (72) Inventor: **Jun Yong Song**, Seongnam-si (KR)
- (73) Assignee: **Samsung Electronics Co., Ltd.**,  
Suwon-si (KR)
- (\*\*) Term: **15 Years**
- (21) Appl. No.: **29/532,034**
- (22) Filed: **Jul. 1, 2015**

**Related U.S. Application Data**

- (63) Continuation of application No. 29/498,626, filed on Aug. 6, 2014, now Pat. No. Des. 738,236.

(30) **Foreign Application Priority Data**

Feb. 22, 2014 (KR) ..... 30-2014-0009046

(51) **LOC (10) Cl.** ..... **10-04**

(52) **U.S. Cl.**  
USPC ..... **D10/70; D10/32; D10/78; D24/167**

(58) **Field of Classification Search**

USPC ..... D10/30-39, 65, 70, 78, 97, 98, 103;  
D11/3; D13/173-177; D14/138 R,  
D14/203.5, 247, 338-340, 344, 346, 347;  
D24/167, 168

CPC ..... G04B 19/00-19/34; G04B 21/12;  
G04B 23/12; G04B 37/00-37/228; G04B  
47/00-47/068; G01C 17/00; G01C  
21/00-21/3697; G01C 22/00-22/025; G01C  
23/00; G06F 19/3481; G06F 3/00-3/027

See application file for complete search history.

(56) **References Cited**

U.S. PATENT DOCUMENTS

D331,020 S	11/1992	Ishii et al.	
D331,021 S	11/1992	Ishii et al.	
D400,112 S	10/1998	Rider	
D536,265 S	2/2007	Reynoso	
D693,251 S	11/2013	Anderssen et al.	
D716,677 S	11/2014	Messier et al.	
D717,678 S	* 11/2014	Anderssen	D10/70
D717,679 S	* 11/2014	Anderssen et al.	
D719,123 S	* 12/2014	Park	D10/38
D720,074 S	12/2014	Suvilaakso et al.	
D724,176 S	* 3/2015	Maestas	D22/149
D724,556 S	* 3/2015	Choi	D10/32
D727,316 S	* 4/2015	Song	D10/32
D727,759 S	4/2015	Martinez et al.	
D729,091 S	* 5/2015	Nuovo	D10/103
D729,237 S	* 5/2015	Fagnot	D14/344
D729,651 S	* 5/2015	Nuovo	D10/32
D729,652 S	* 5/2015	Nuovo	D10/32
D729,653 S	* 5/2015	Nuovo	D10/103
D729,654 S	* 5/2015	Nuovo	D10/103

(Continued)

*Primary Examiner* — Antoine D Davis  
(74) *Attorney, Agent, or Firm* — NSIP Law

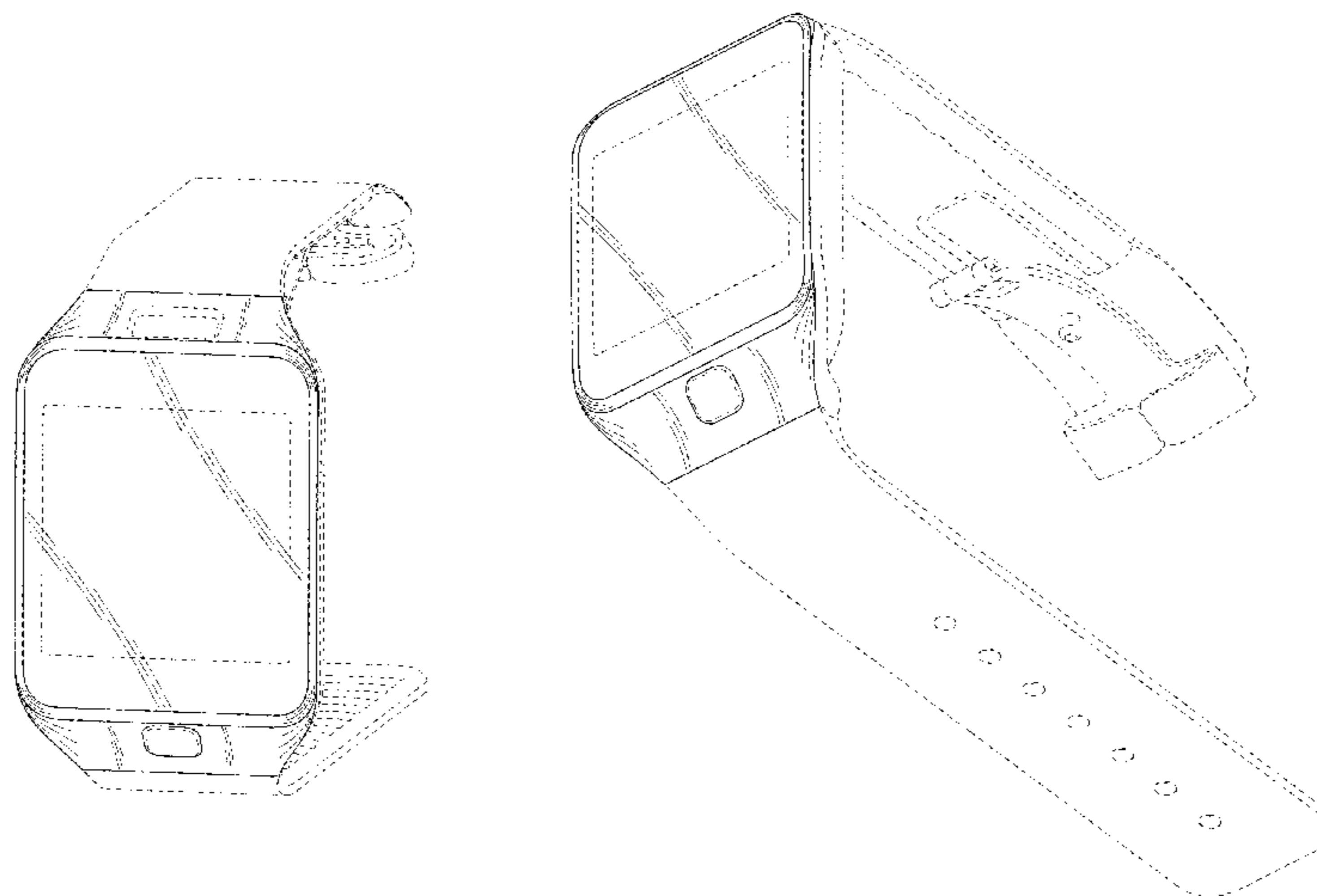
(57) **CLAIM**

I claim the ornamental design for an electronic device, as shown and described.

**DESCRIPTION**

FIG. 1 is the front perspective view of an electronic device showing my new design;  
FIG. 2 is the front view thereof;  
FIG. 3 is the rear view thereof;  
FIG. 4 is the left-side view thereof;  
FIG. 5 is the right-side view thereof;  
FIG. 6 is the top view thereof;  
FIG. 7 is the bottom view thereof; and,  
FIG. 8 is another front perspective view thereof in an alternative position.  
The broken lines in the figures show portions of an electronic device which form no part of the claimed design.

**1 Claim, 8 Drawing Sheets**



(56)

**References Cited**

U.S. PATENT DOCUMENTS

D729,667 S \* 5/2015 Nuovo ..... D10/103  
D729,670 S \* 5/2015 Nuovo ..... D10/103  
D729,671 S \* 5/2015 Nuovo ..... D10/103  
D730,209 S \* 5/2015 Wolos ..... D10/70  
D731,482 S \* 6/2015 Song ..... D14/344  
D732,022 S \* 6/2015 Song ..... D14/344  
D733,598 S \* 7/2015 Just ..... D10/77

D733,706 S \* 7/2015 Song ..... D10/32  
D734,327 S \* 7/2015 Song ..... D10/38  
D734,330 S \* 7/2015 Huang ..... D14/344  
D734,331 S \* 7/2015 Wu ..... D14/344  
D736,652 S \* 8/2015 Isaacs ..... D10/32  
D737,159 S \* 8/2015 Akana ..... D10/32  
D738,236 S \* 9/2015 Song ..... D10/30  
D738,237 S \* 9/2015 Song ..... D10/30  
9,141,087 B2 \* 9/2015 Brown ..... G04F 10/00  
D741,726 S \* 10/2015 Akana ..... D10/30

\* cited by examiner

FIG. 1

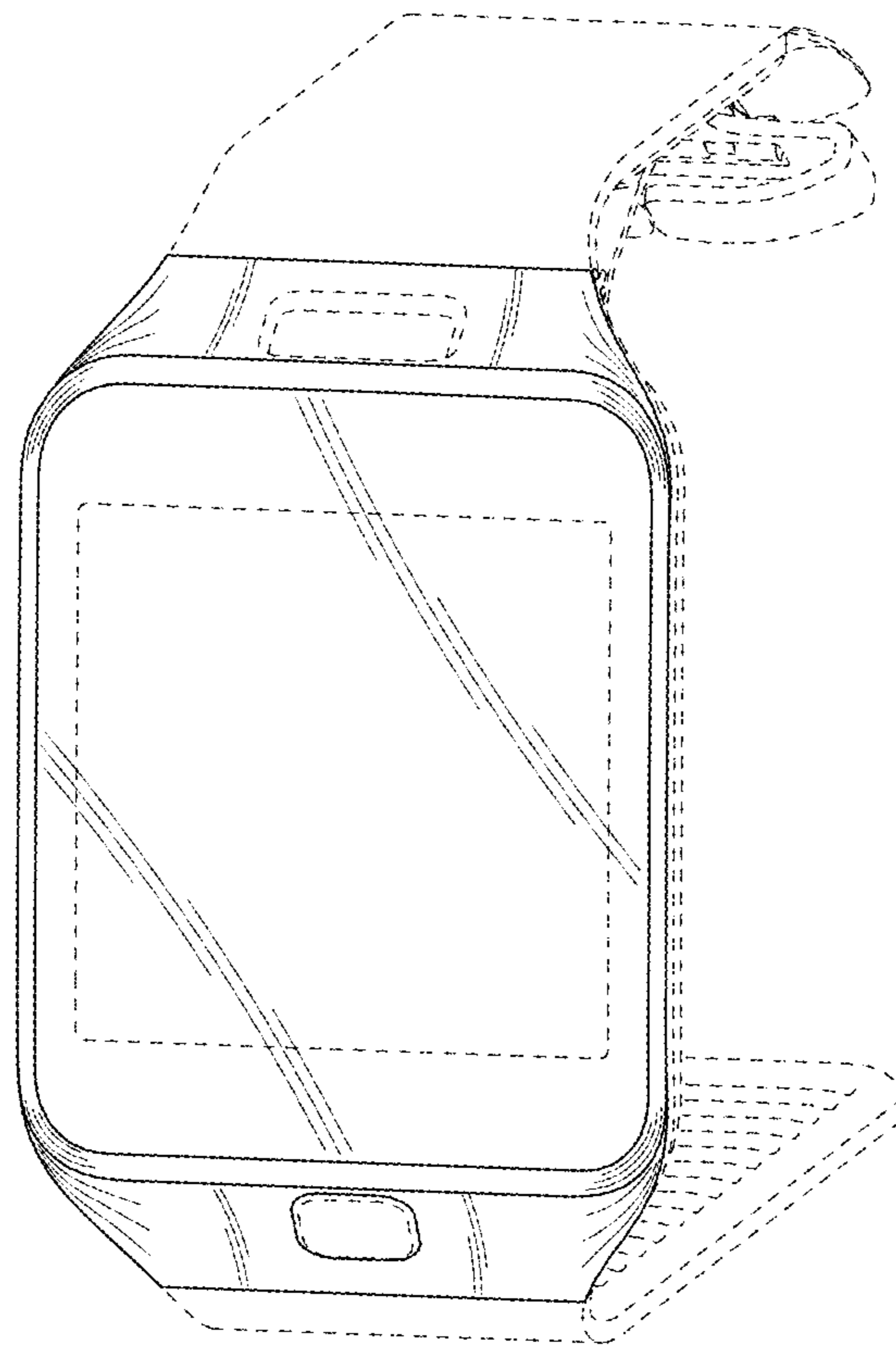


FIG. 2

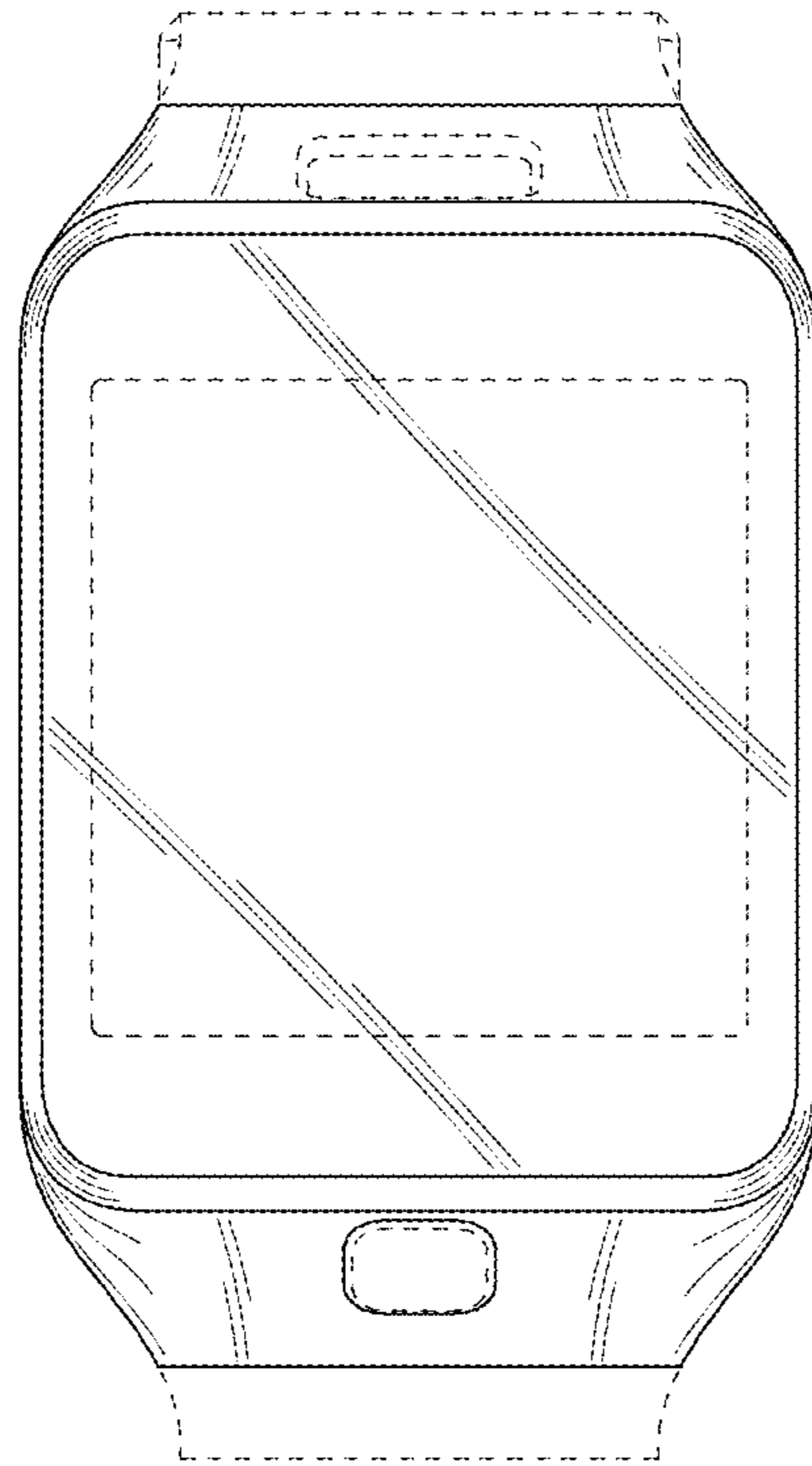


FIG. 3

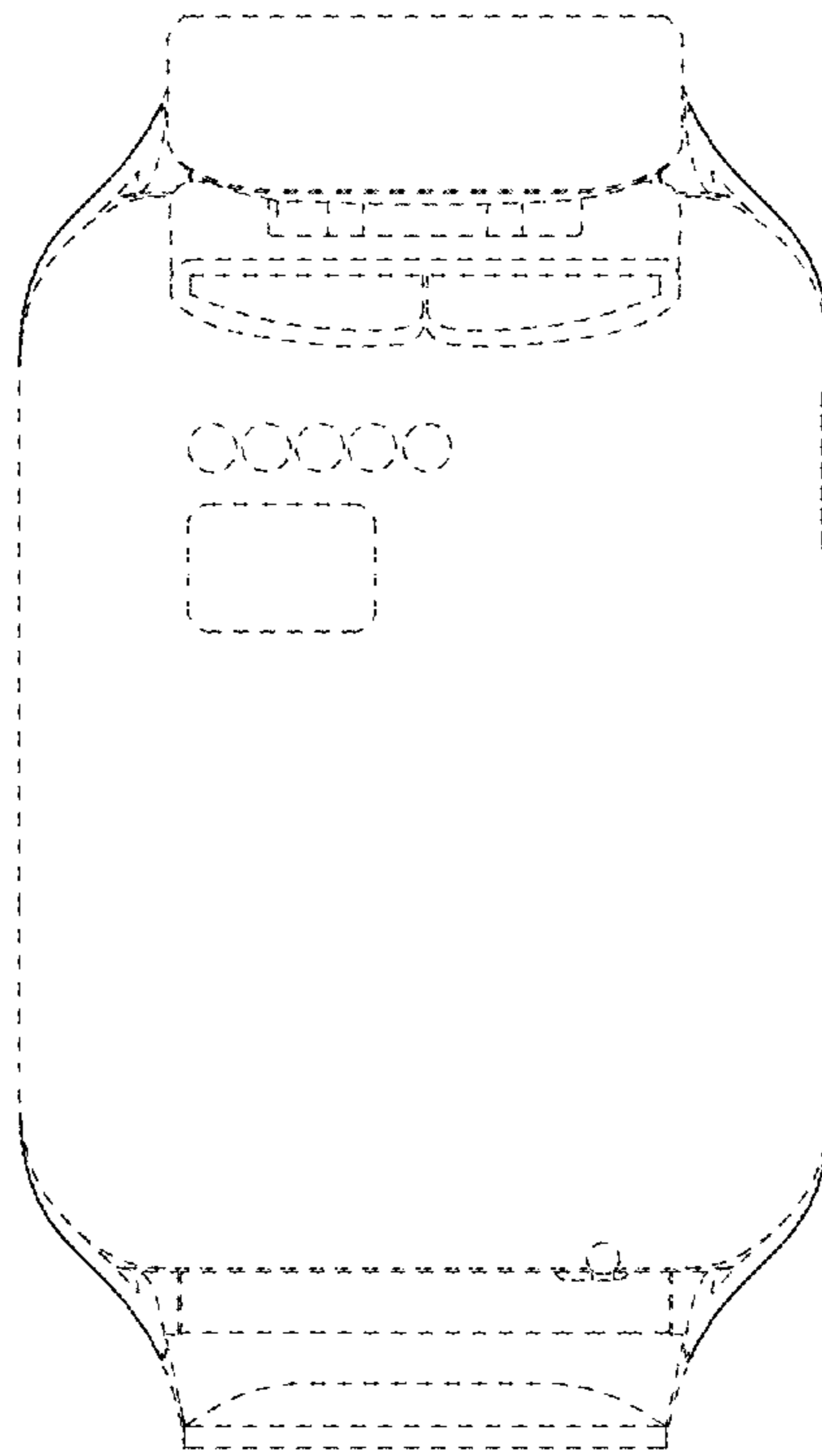


FIG. 4

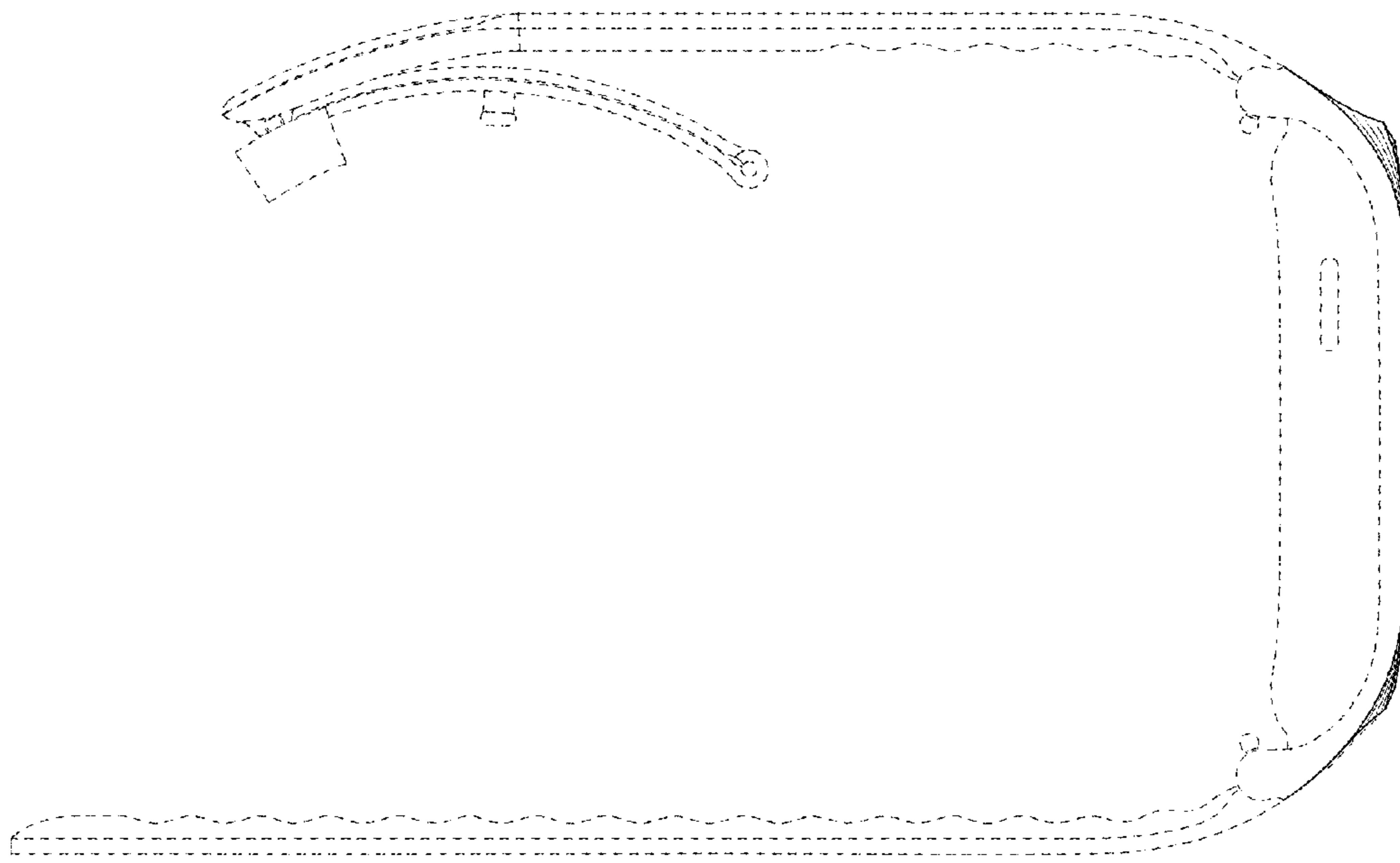


FIG. 5

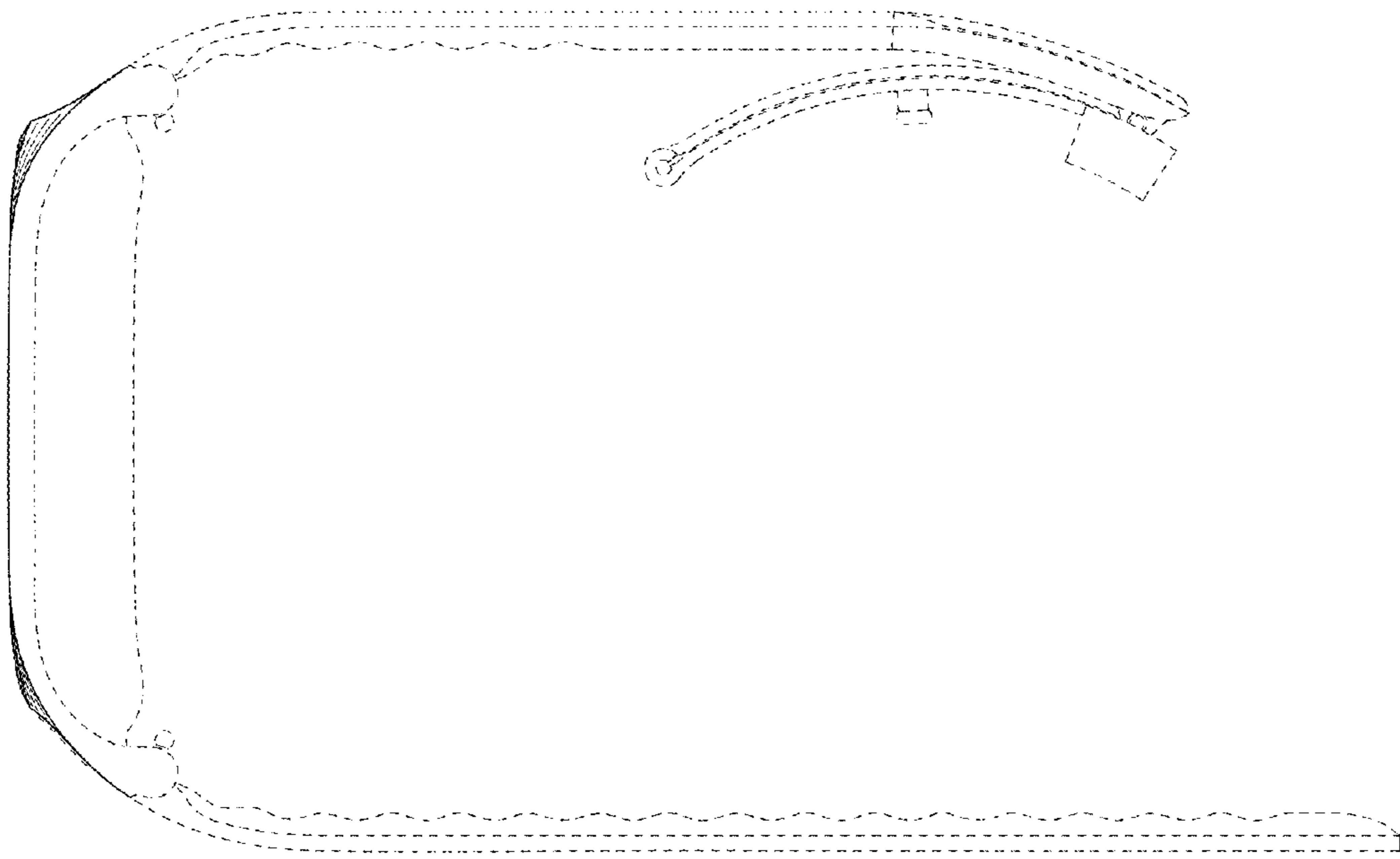


FIG. 6

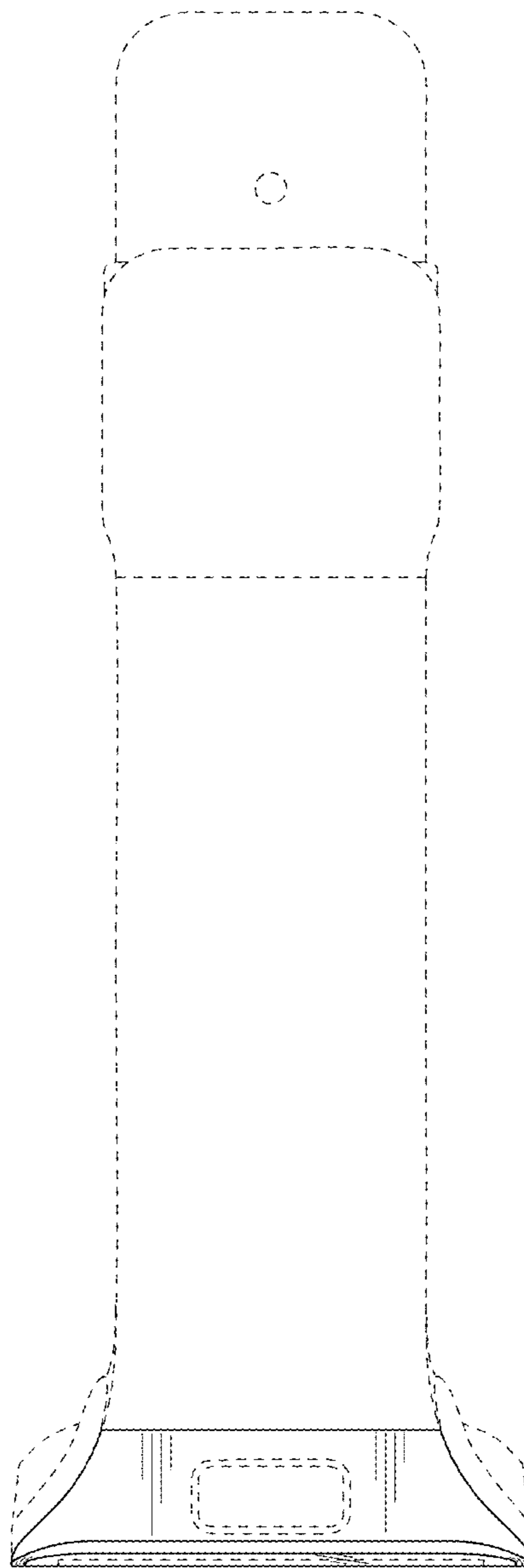




FIG. 7

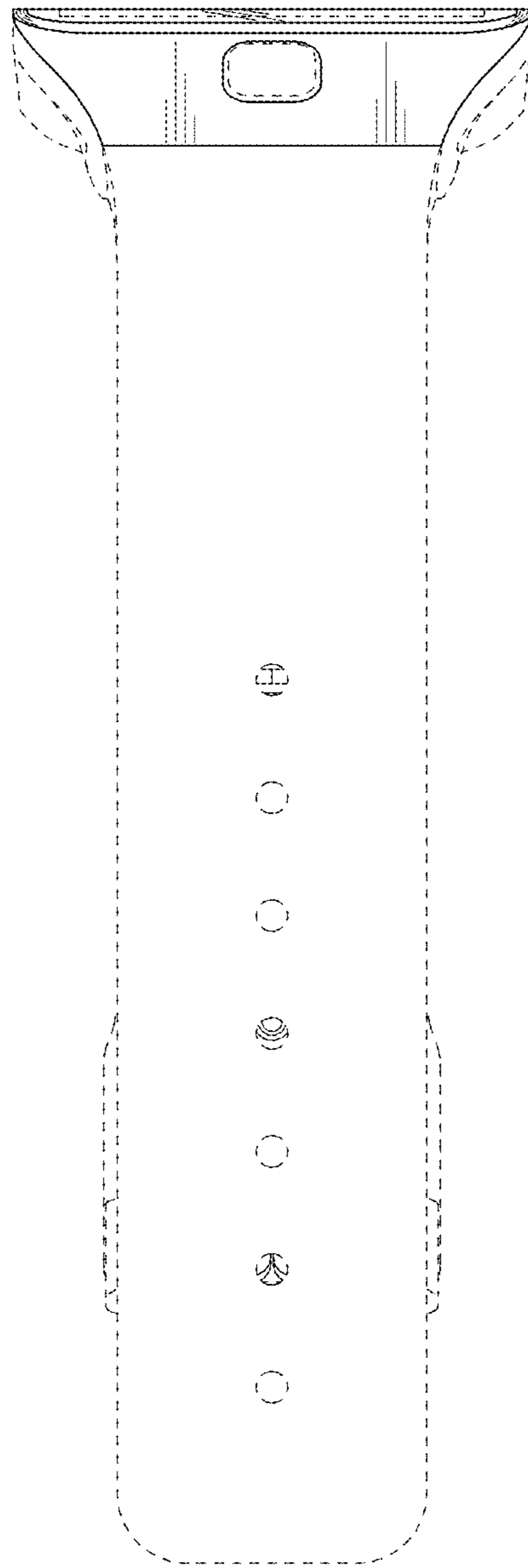


FIG. 8

