



US00D757574S

(12) **United States Design Patent**
Song

(10) **Patent No.:** **US D757,574 S**

(45) **Date of Patent:** **** May 31, 2016**

(54) **ELECTRONIC DEVICE**

- (71) Applicant: **Samsung Electronics Co., Ltd.**,
Suwon-si (KR)
- (72) Inventor: **Jun Yong Song**, Seongnam-si (KR)
- (73) Assignee: **Samsung Electronics Co., Ltd.**,
Suwon-si (KR)
- (**) Term: **15 Years**
- (21) Appl. No.: **29/532,031**
- (22) Filed: **Jul. 1, 2015**

Related U.S. Application Data

(63) Continuation of application No. 29/498,626, filed on Aug. 6, 2014, now Pat. No. Des. 738,236.

(30) **Foreign Application Priority Data**

Feb. 22, 2014 (KR) 30-2014-0009046

(51) **LOC (10) Cl.** **10-04**

(52) **U.S. Cl.**
USPC **D10/70; D10/32; D10/78; D24/167**

(58) **Field of Classification Search**
USPC D10/30-39, 65, 70, 78, 97, 98, 103;
D11/3; D13/173-177; D14/138 R,
D14/203.5, 247, 338-340, 344, 346, 347;
D24/167, 168

CPC G04B 19/00-19/34; G04B 21/12;
G04B 23/12; G04B 37/00-37/228; G04B
47/00-47/068; G01C 17/00; G01C 21/00;
G01C 21/3697; G01C 22/00-22/025; G01C
23/00; G06F 19/3481; G06F 3/00-3/027

See application file for complete search history.

(56) **References Cited**

U.S. PATENT DOCUMENTS

| | | | |
|------------|-----------|-------------------|---------|
| D331,020 S | 11/1992 | Ishii et al. | |
| D331,021 S | 11/1992 | Ishii et al. | |
| D400,112 S | 10/1998 | Rider | |
| D536,265 S | 2/2007 | Reynoso | |
| D693,251 S | 11/2013 | Anderssen et al. | |
| D716,677 S | 11/2014 | Messier et al. | |
| D717,678 S | * 11/2014 | Anderssen | D10/70 |
| D717,679 S | * 11/2014 | Anderssen et al. | |
| D719,123 S | * 12/2014 | Park | D10/38 |
| D720,074 S | 12/2014 | Suvilaakso et al. | |
| D724,176 S | * 3/2015 | Maestas | D22/149 |
| D724,556 S | * 3/2015 | Choi | D10/32 |
| D727,316 S | * 4/2015 | Song | D10/32 |
| D727,759 S | 4/2015 | Martinez et al. | |
| D729,091 S | * 5/2015 | Nuovo | D10/103 |
| D729,237 S | * 5/2015 | Fagnot | D14/344 |
| D729,651 S | * 5/2015 | Nuovo | D10/32 |
| D729,652 S | * 5/2015 | Nuovo | D10/32 |
| D729,653 S | * 5/2015 | Nuovo | D10/103 |

(Continued)

Primary Examiner — Antoine D Davis

(74) *Attorney, Agent, or Firm* — NSIP Law

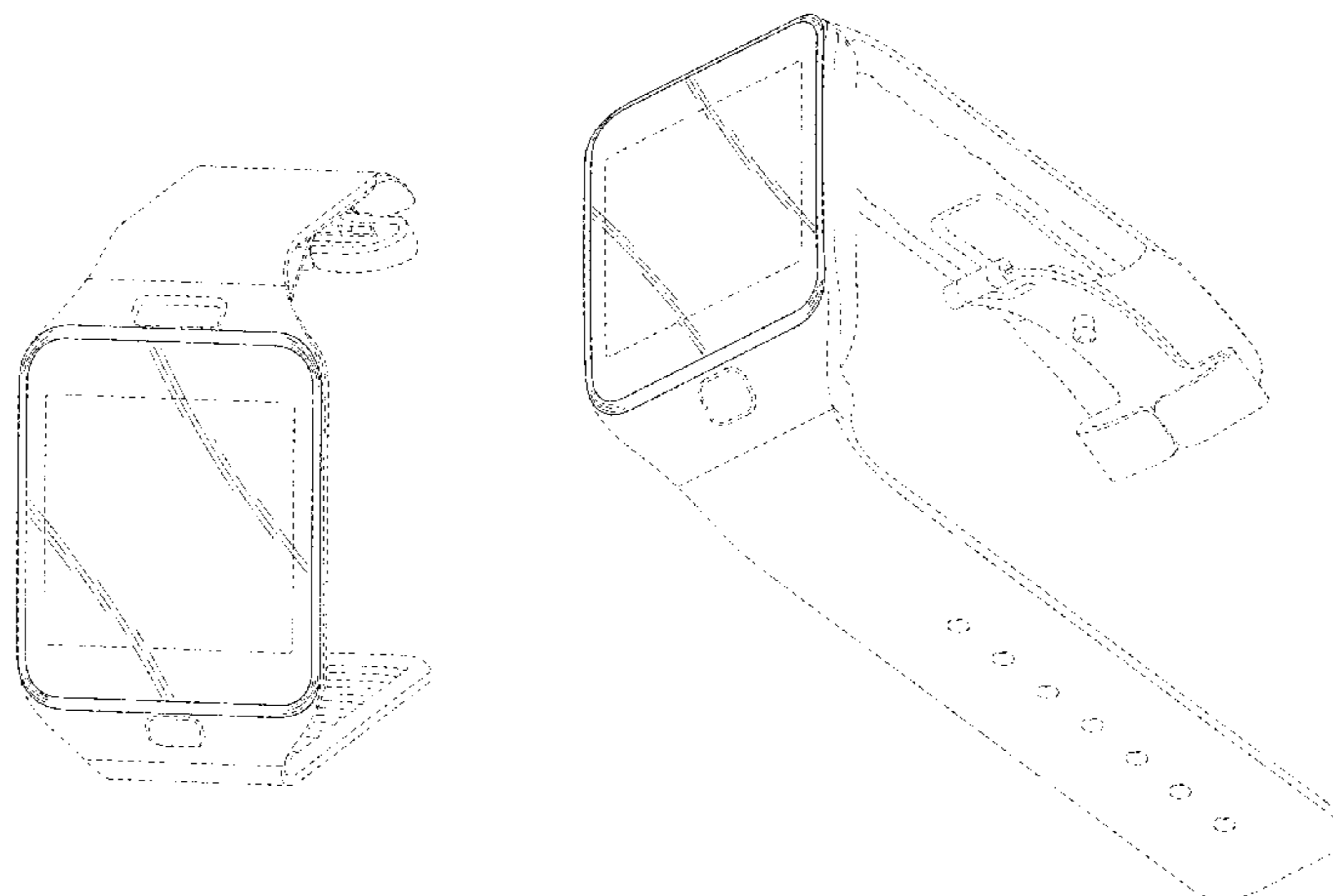
(57) **CLAIM**

I claim the ornamental design for an electronic device, as shown and described.

DESCRIPTION

FIG. 1 is the front perspective view of an electronic device showing my new design;
 FIG. 2 is the front view thereof;
 FIG. 3 is the rear view thereof;
 FIG. 4 is the left-side view thereof;
 FIG. 5 is the right-side view thereof;
 FIG. 6 is the top view thereof;
 FIG. 7 is the bottom view thereof; and,
 FIG. 8 is another front perspective view thereof in an alternative position.
 The broken lines in the figures show portions of an electronic device which form no part of the claimed design.

1 Claim, 8 Drawing Sheets



(56)

References Cited

U.S. PATENT DOCUMENTS

D729,654 S * 5/2015 Nuovo D10/103
D729,667 S * 5/2015 Nuovo D10/103
D729,670 S * 5/2015 Nuovo D10/103
D729,671 S * 5/2015 Nuovo D10/103
D730,209 S * 5/2015 Wolos D10/70
D731,482 S * 6/2015 Song D14/344
D732,022 S * 6/2015 Song D14/344
D733,598 S * 7/2015 Just D10/77

D733,706 S * 7/2015 Song D10/32
D734,327 S * 7/2015 Song D10/38
D734,330 S * 7/2015 Huang D14/344
D734,331 S * 7/2015 Wu D14/344
D736,652 S * 8/2015 Isaacs D10/32
D737,159 S * 8/2015 Akana D10/32
D738,236 S * 9/2015 Song D10/30
D738,237 S * 9/2015 Song D10/30
9,141,087 B2 * 9/2015 Brown G04F 10/00
D741,726 S * 10/2015 Akana D10/30

* cited by examiner

FIG. 1

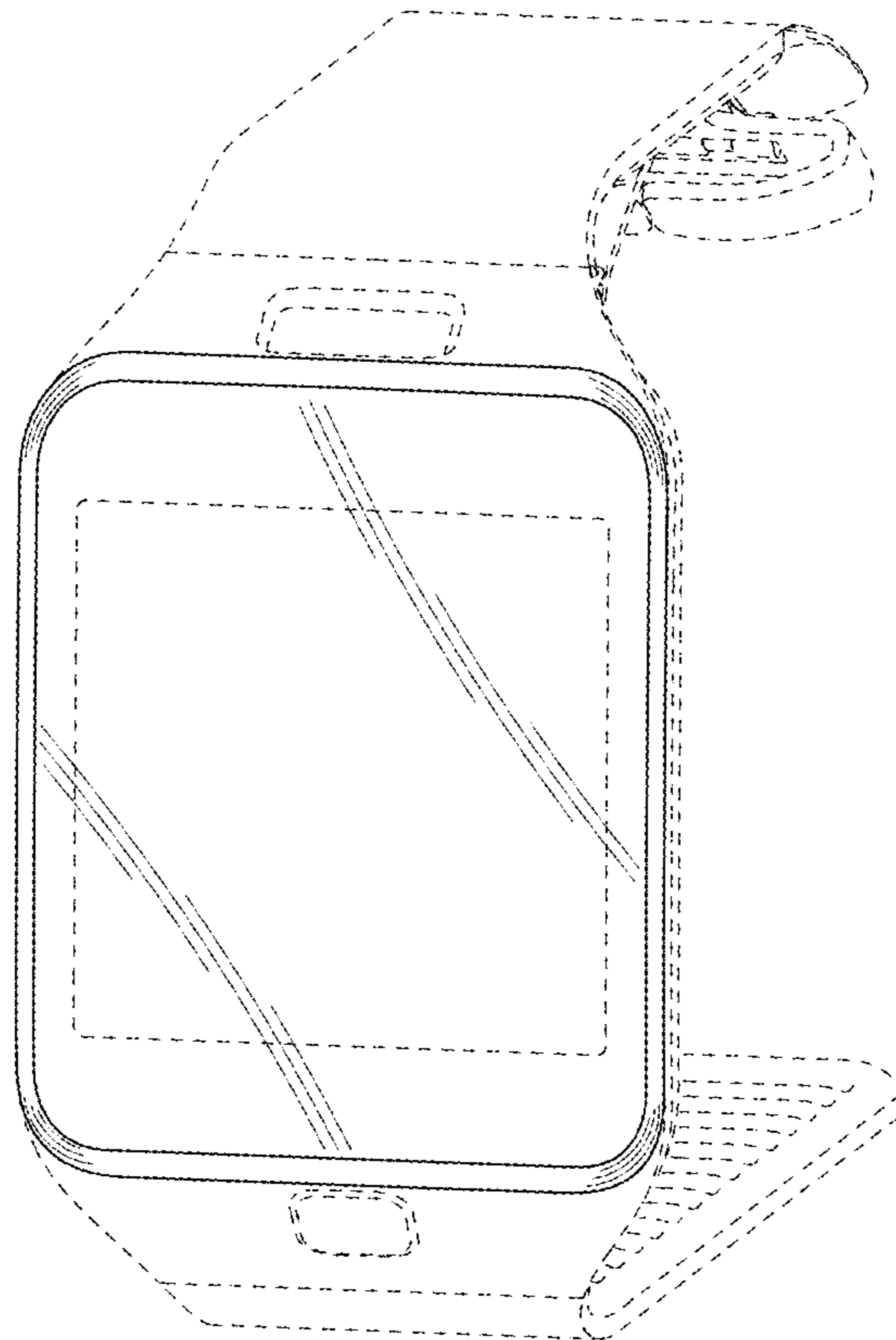


FIG. 2

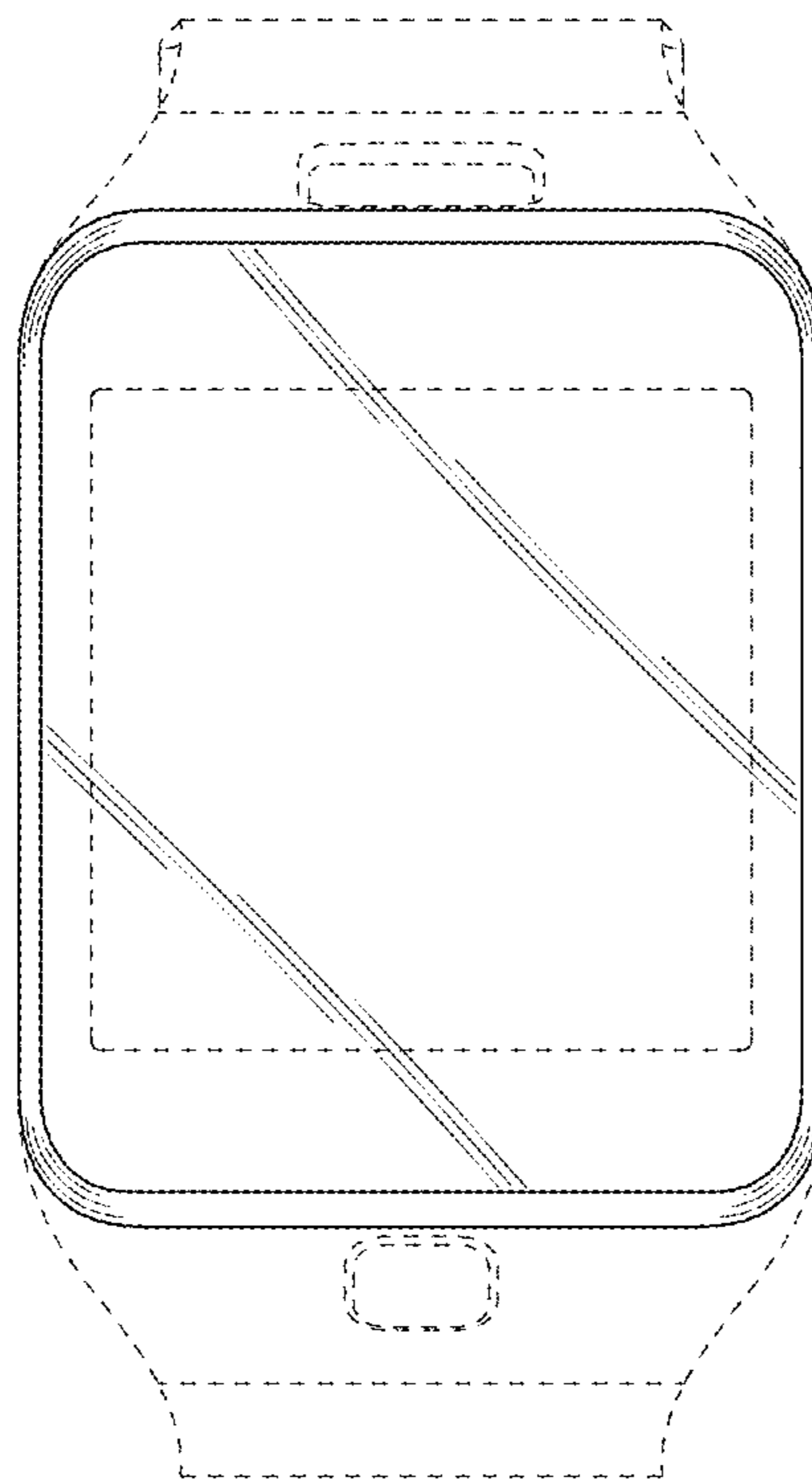


FIG. 3

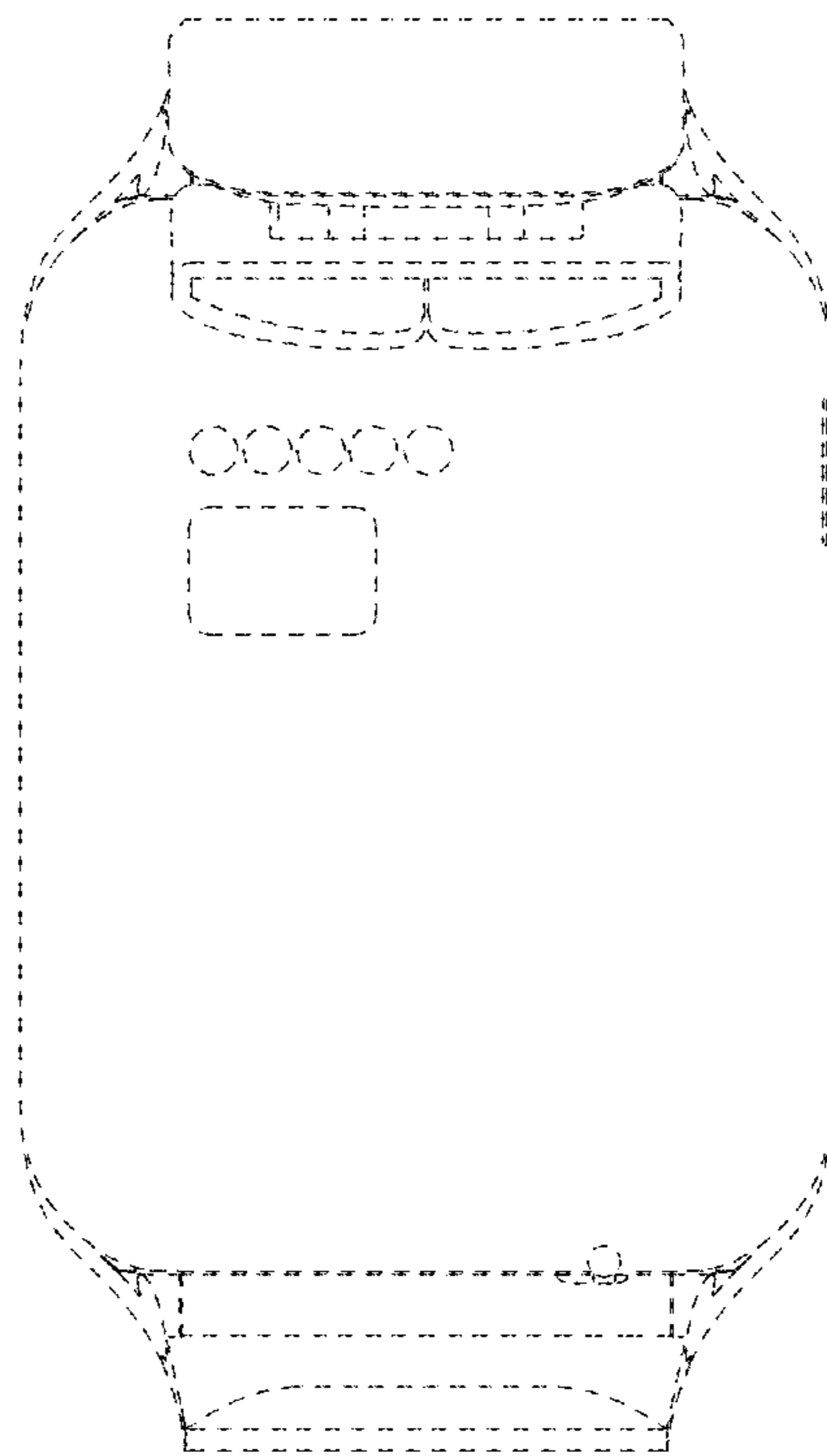


FIG. 4

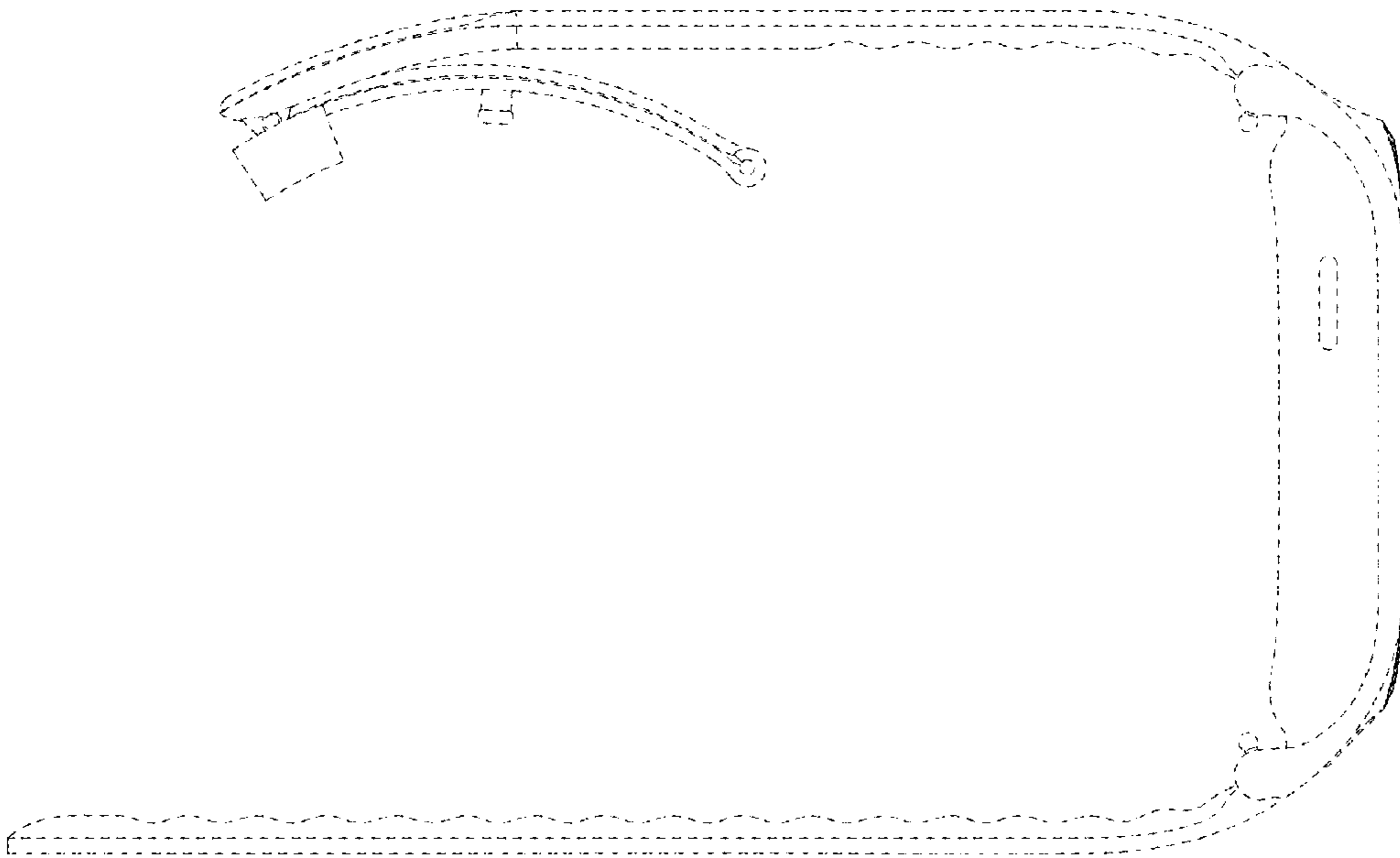


FIG. 5

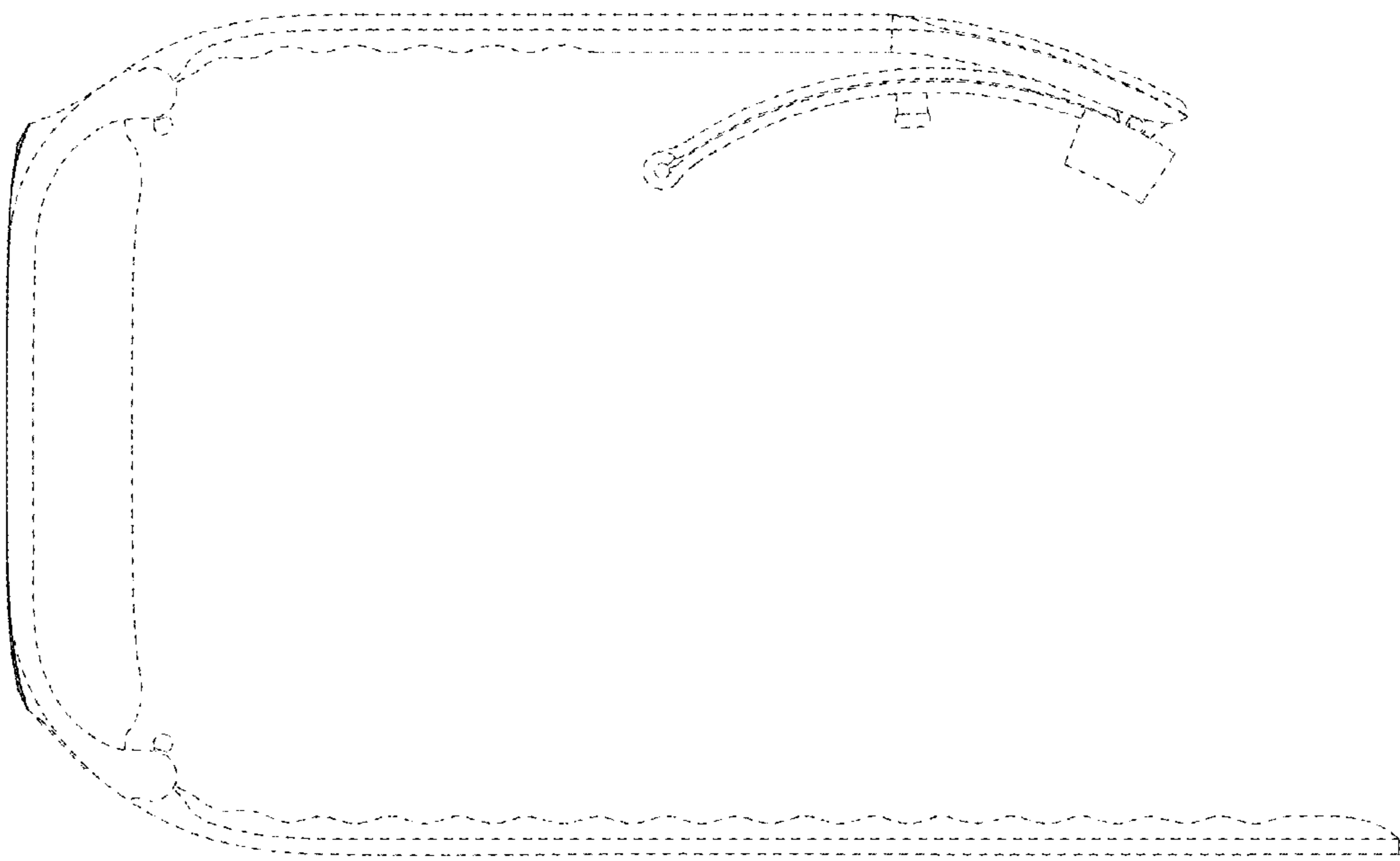


FIG. 6

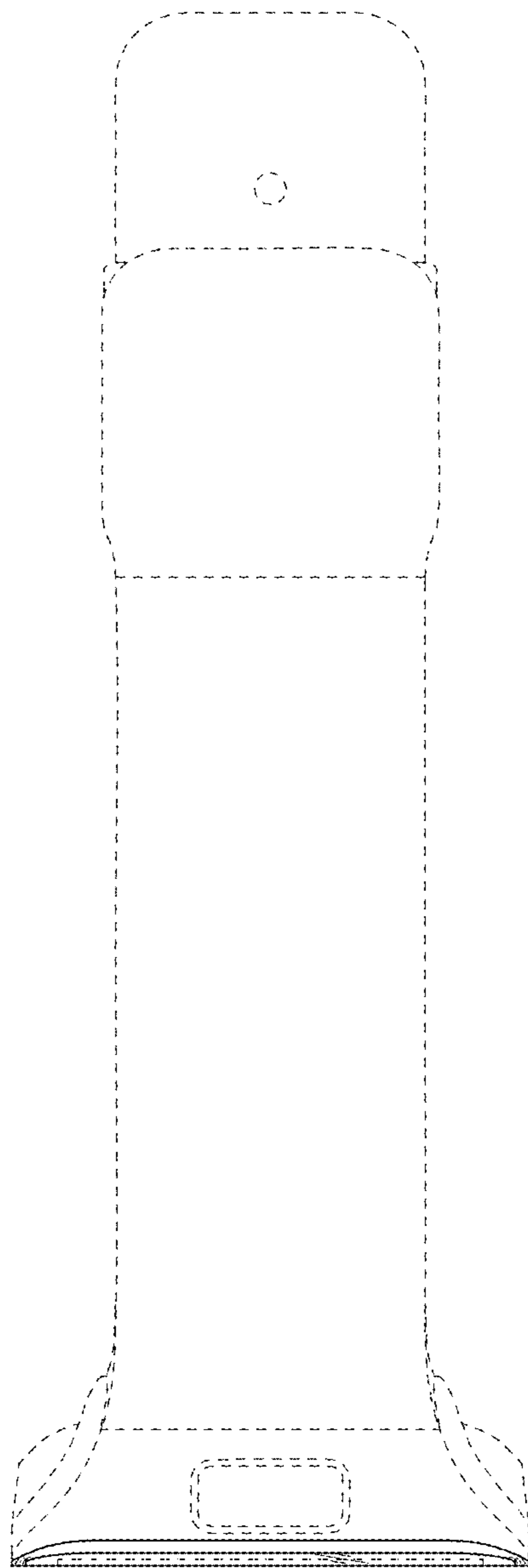


FIG. 7

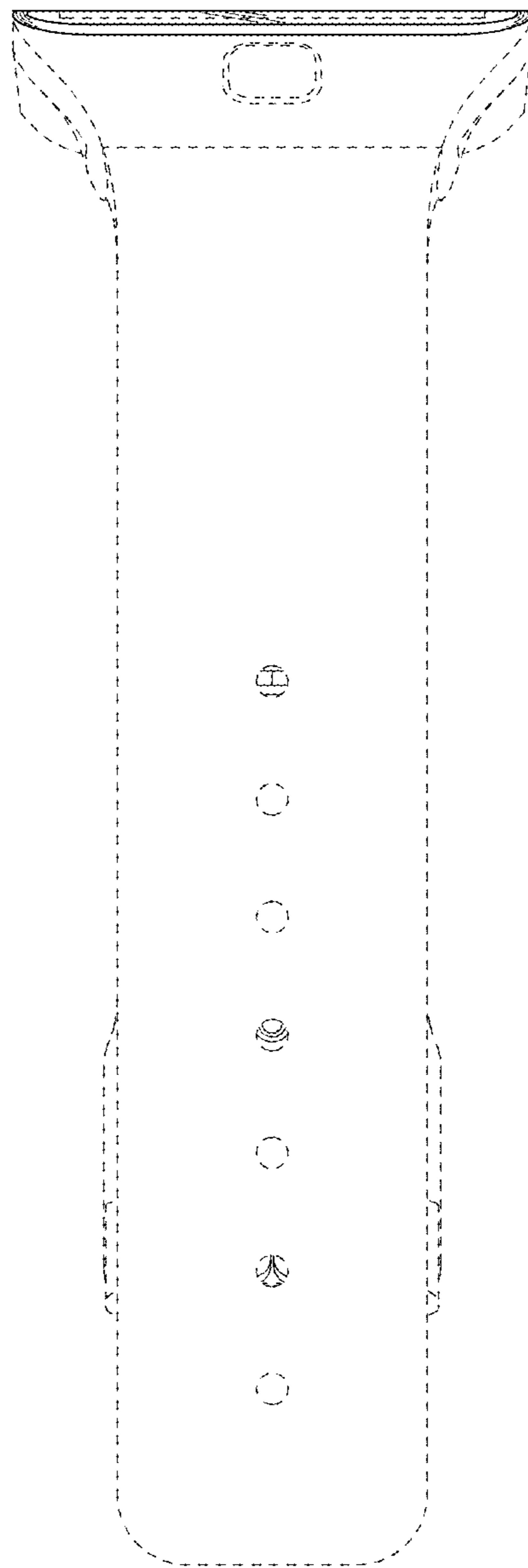


FIG. 8

