



US00D757573S

(12) **United States Design Patent**  
**Zinkosky, II**

(10) **Patent No.:** **US D757,573 S**  
(45) **Date of Patent:** **\*\* May 31, 2016**

(54) **45-45-90 ANGLE SQUARE**

(71) Applicant: **Stan Edward Zinkosky, II**, Alta Loma, CA (US)

(72) Inventor: **Stan Edward Zinkosky, II**, Alta Loma, CA (US)

(\*\*) Term: **14 Years**

(21) Appl. No.: **29/517,334**

(22) Filed: **Feb. 11, 2015**

(51) **LOC (10) Cl.** ..... **10-04**

(52) **U.S. Cl.**  
USPC ..... **D10/65**

(58) **Field of Classification Search**  
USPC ..... D10/65  
CPC ..... B43L 7/0275; G01B 3/566  
See application file for complete search history.

(56) **References Cited**

**U.S. PATENT DOCUMENTS**

704,074	A *	7/1902	Morrell	.....	G01B 3/566 403/93
718,618	A *	1/1903	Gerber	.....	G01B 3/566 33/429
768,324	A *	8/1904	Breul	.....	G01B 3/566 33/429
D462,282	S *	9/2002	Salvagno	.....	D10/65
7,114,264	B1 *	10/2006	Hurley	.....	B25H 7/00 33/423
8,276,285	B1 *	10/2012	Bennett	.....	B43L 1/00 33/429

\* cited by examiner

*Primary Examiner* — Antonie D Davis

(74) *Attorney, Agent, or Firm* — E J Asbury, III, LLC

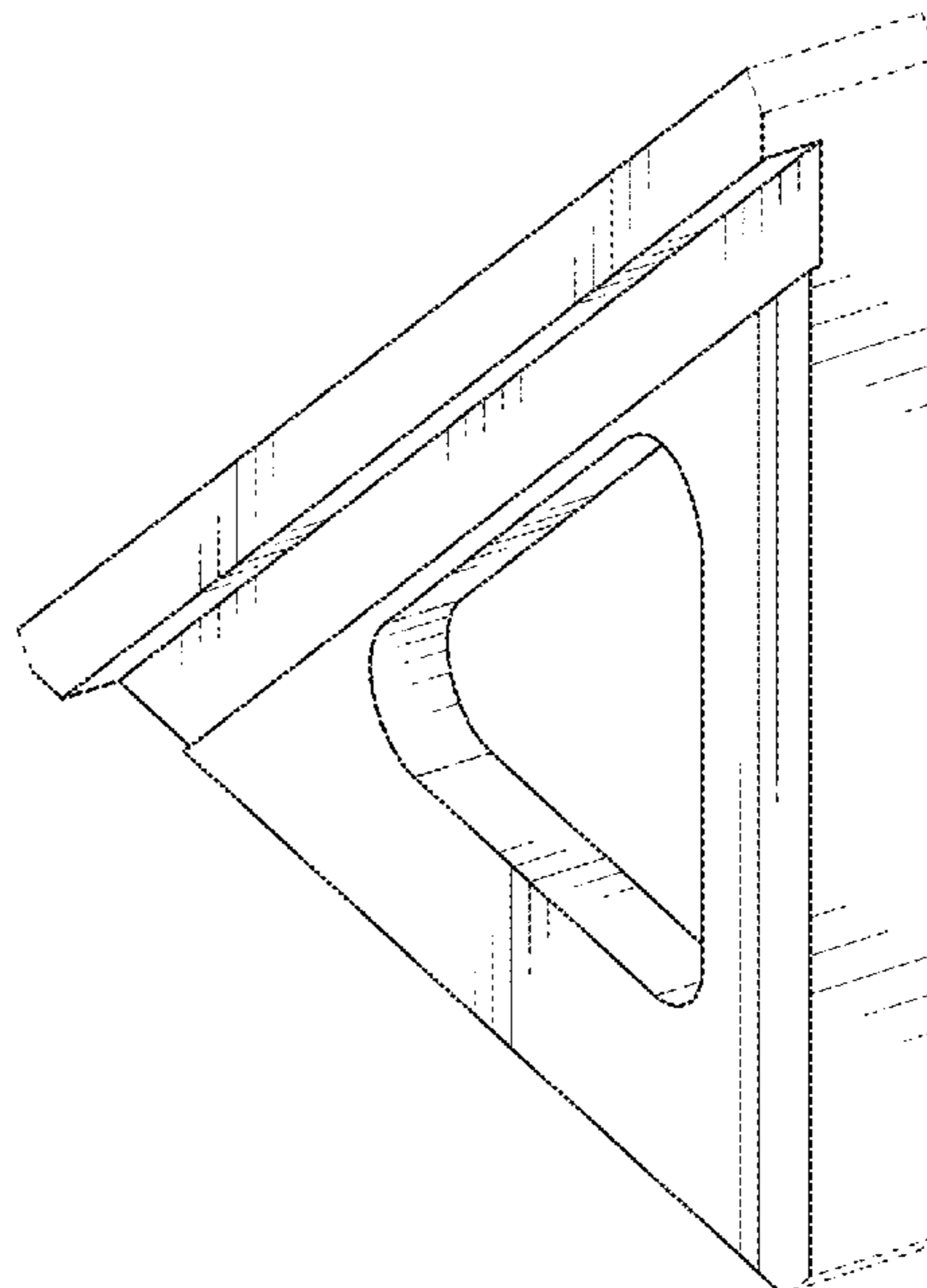
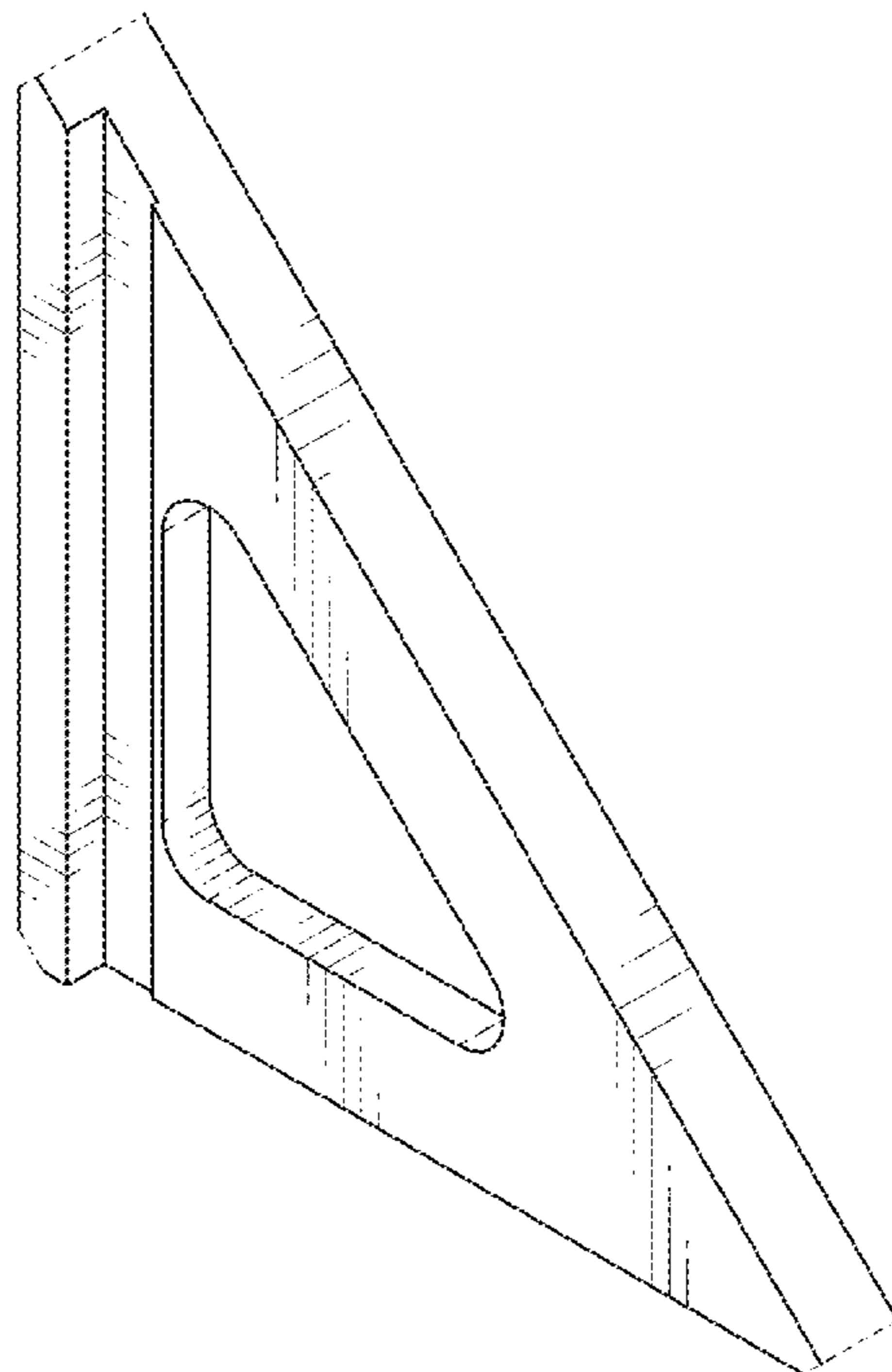
(57) **CLAIM**

The ornamental design for a 45-45-90 angle square, as shown and described.

**DESCRIPTION**

FIG. 1 is a front, left, and top perspective view of a 1<sup>st</sup> embodiment of the 45-45-90 angle square;  
 FIG. 2 is a back, right, and top perspective view thereof;  
 FIG. 3 is a front view thereof;  
 FIG. 4 is a back view thereof;  
 FIG. 5 is a right side view thereof;  
 FIG. 6 is a left side view thereof;  
 FIG. 7 is a top view thereof;  
 FIG. 8 is a bottom view thereof;  
 FIG. 9 is a front, left, and top perspective view of a 2<sup>nd</sup> embodiment of the 45-45-90 angle square, the 45-45-90 angle square of the 2<sup>nd</sup> embodiment of FIGS. 9-16 is the mirror image of the design of the 1st embodiment depicted in FIGS. 1-8;  
 FIG. 10 is a back, left, and top perspective view of the 2<sup>nd</sup> embodiment thereof;  
 FIG. 11 is a front view of the 2nd embodiment thereof;  
 FIG. 12 is a back view of the 2nd embodiment thereof;  
 FIG. 13 is a right side view of the 2nd embodiment thereof;  
 FIG. 14 is a left side view of the 2nd embodiment thereof;  
 FIG. 15 is a top view of the 2nd embodiment thereof; and,  
 FIG. 16 is a bottom view of the 2nd embodiment thereof.  
 The broken lines shown in FIGS. 1-16 illustrate features of the 45-45-90 angle square that form no part of the claimed design.

**1 Claim, 8 Drawing Sheets**



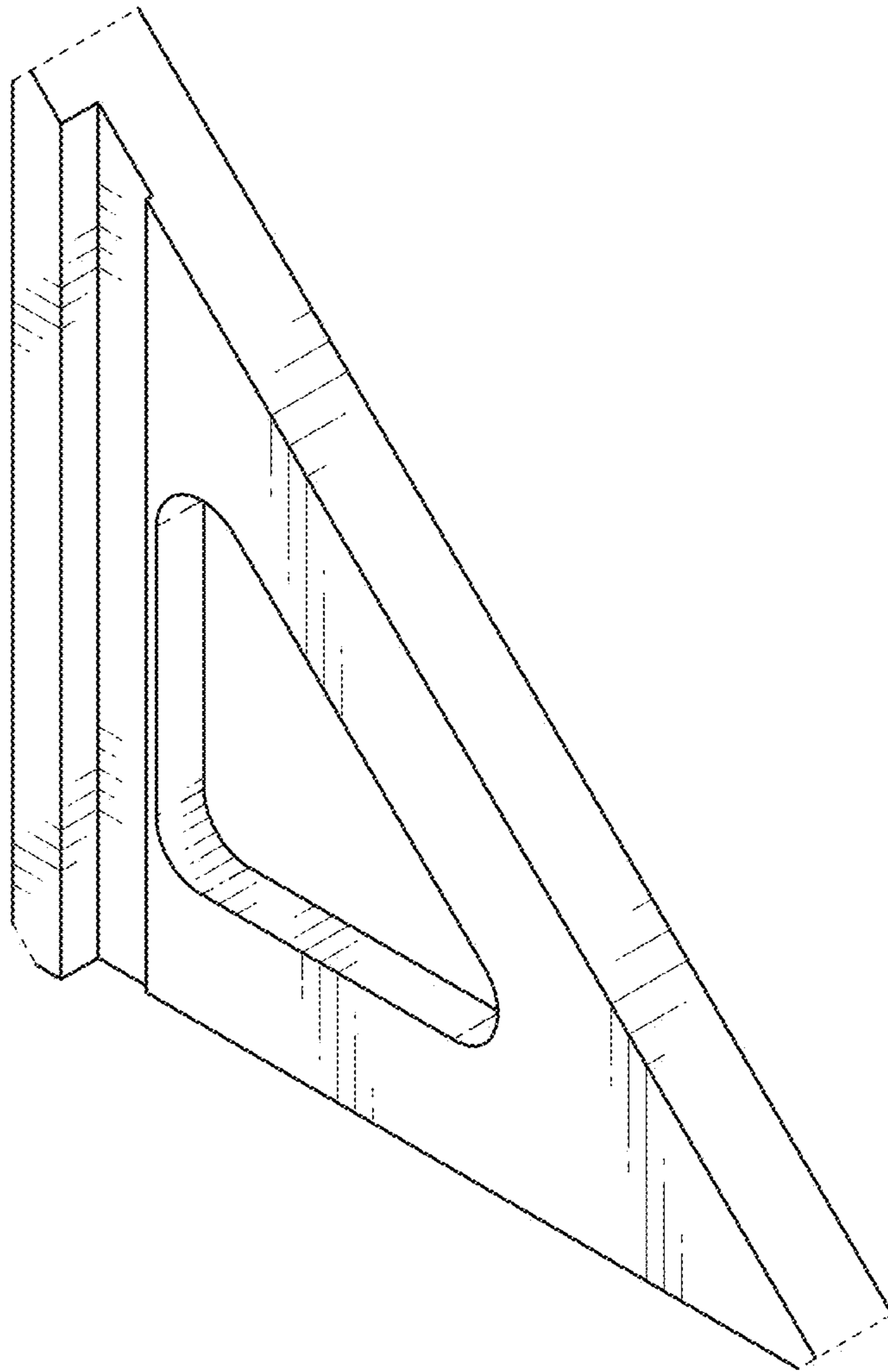


FIG. 1

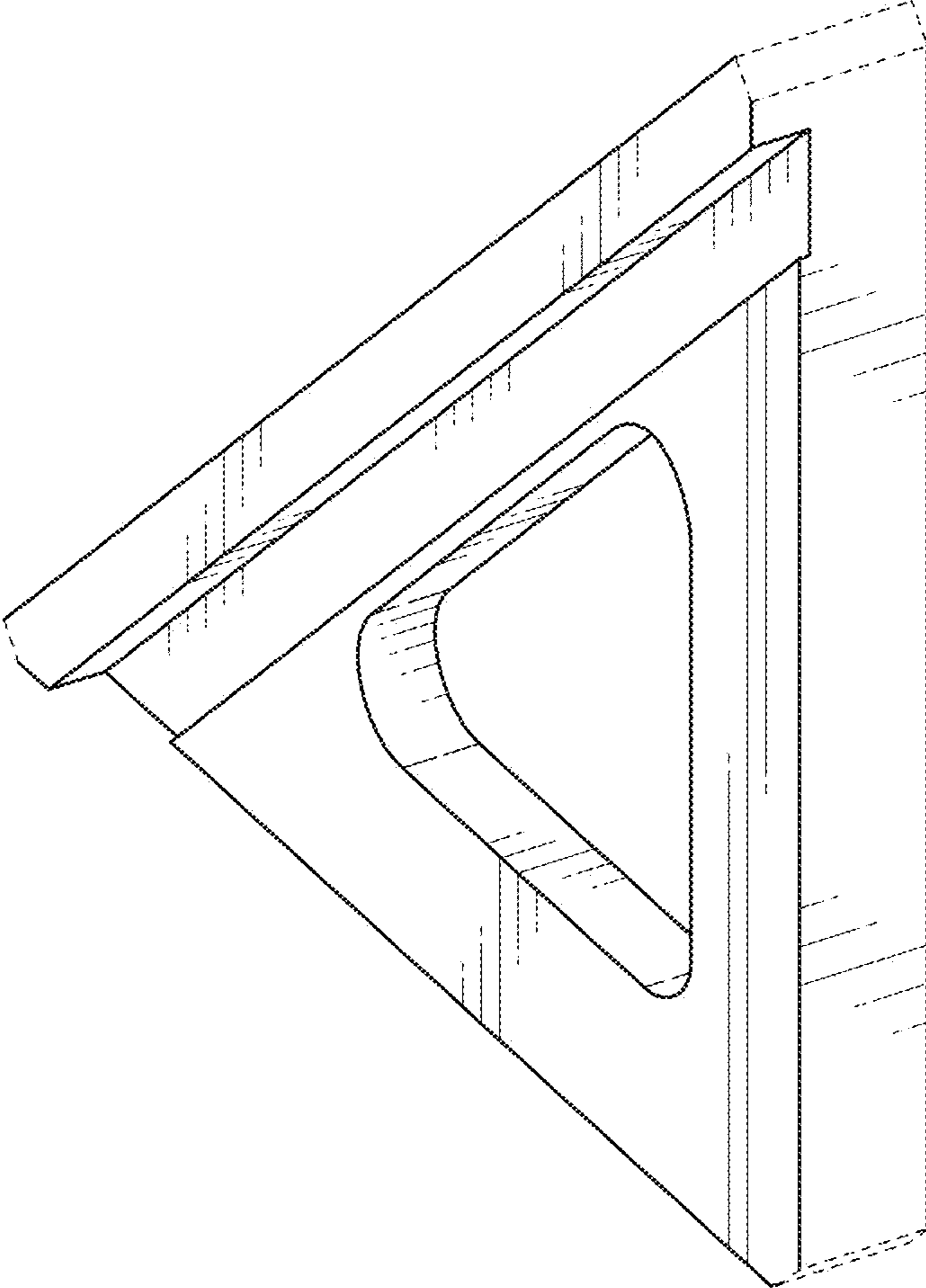


FIG. 2

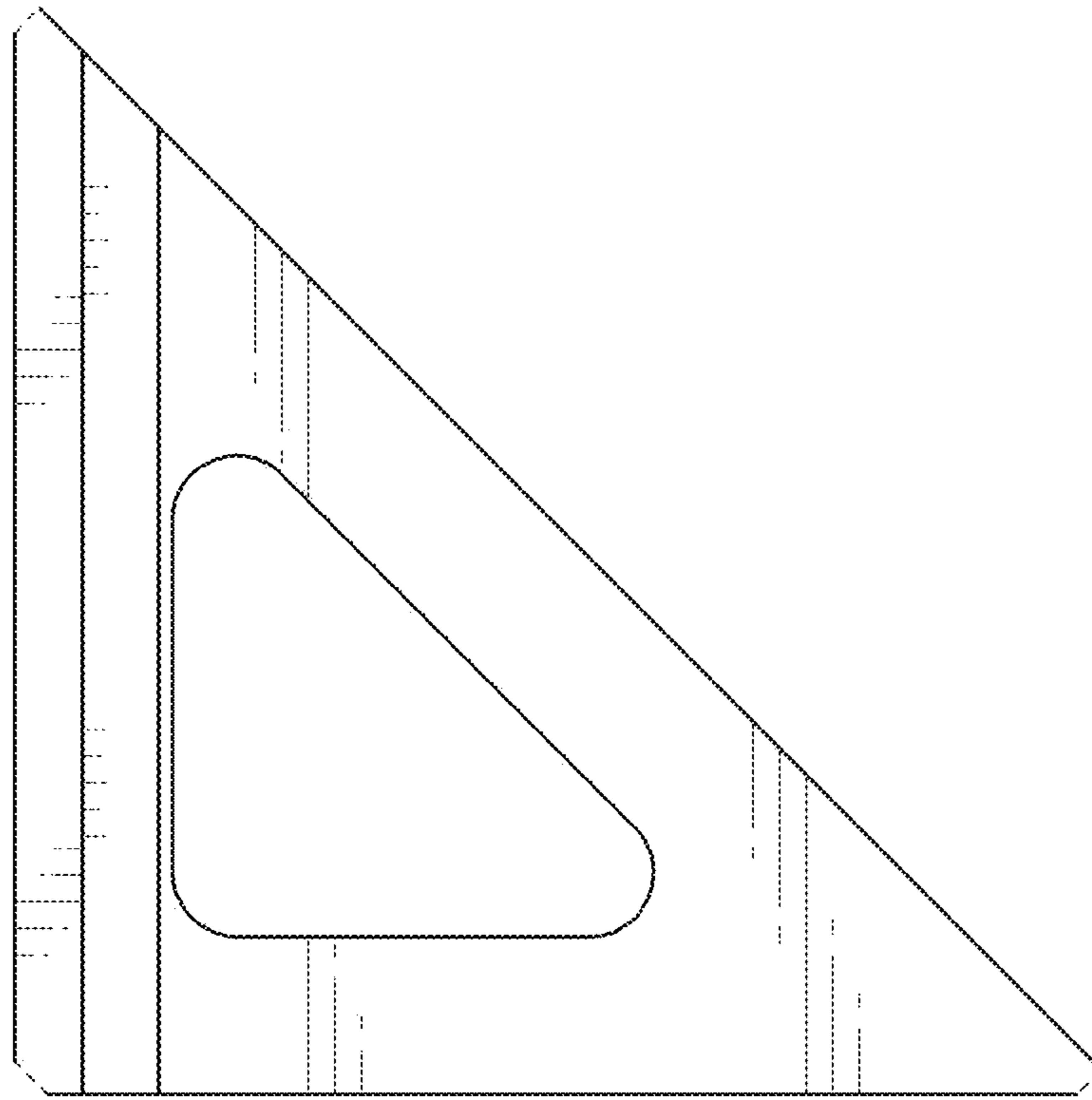


FIG. 3

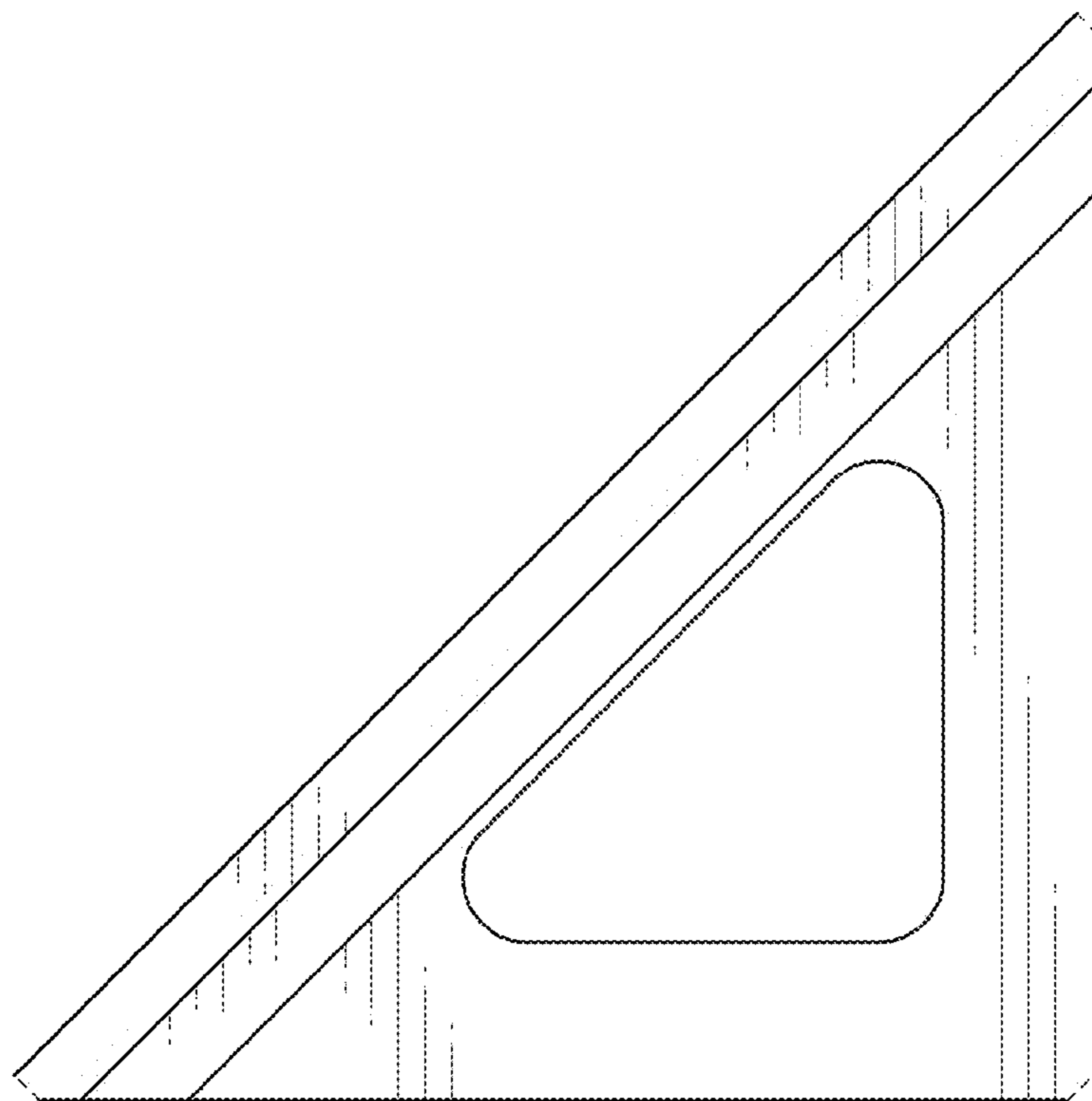


FIG. 4

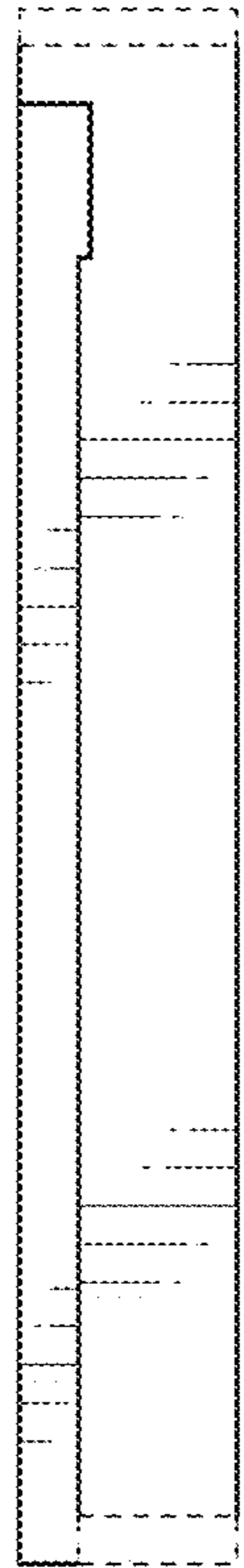


FIG. 5

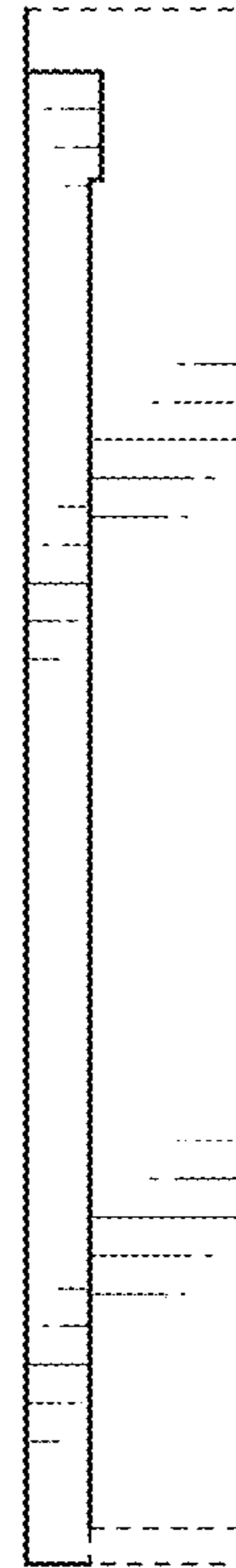


FIG. 6

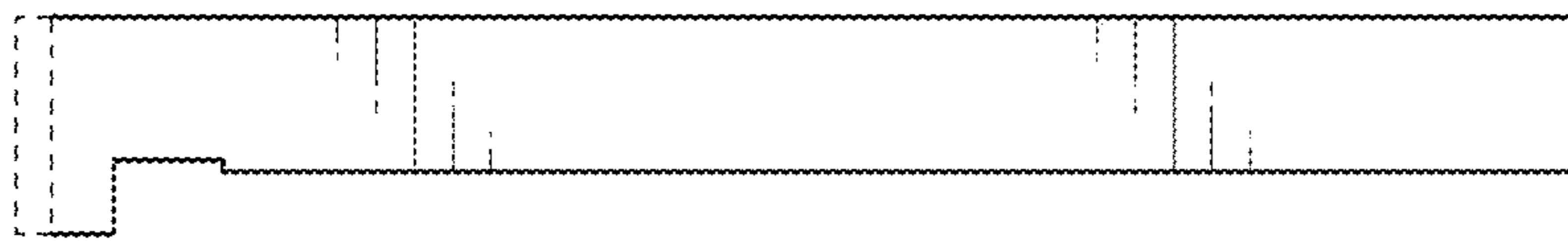


FIG. 7

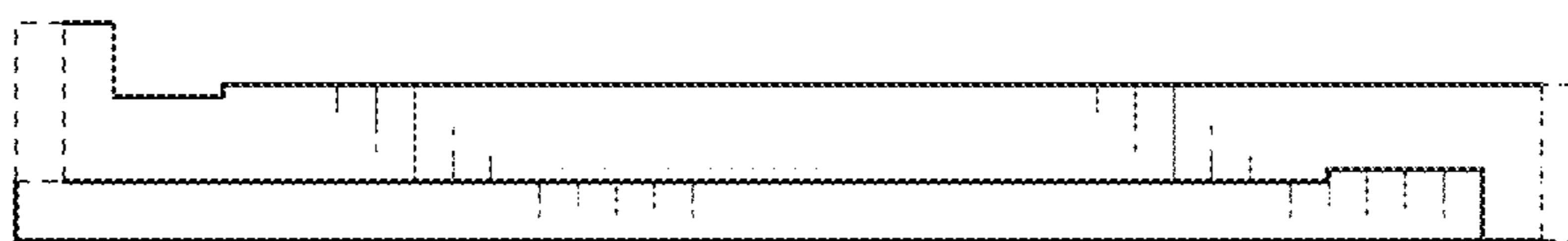


FIG. 8

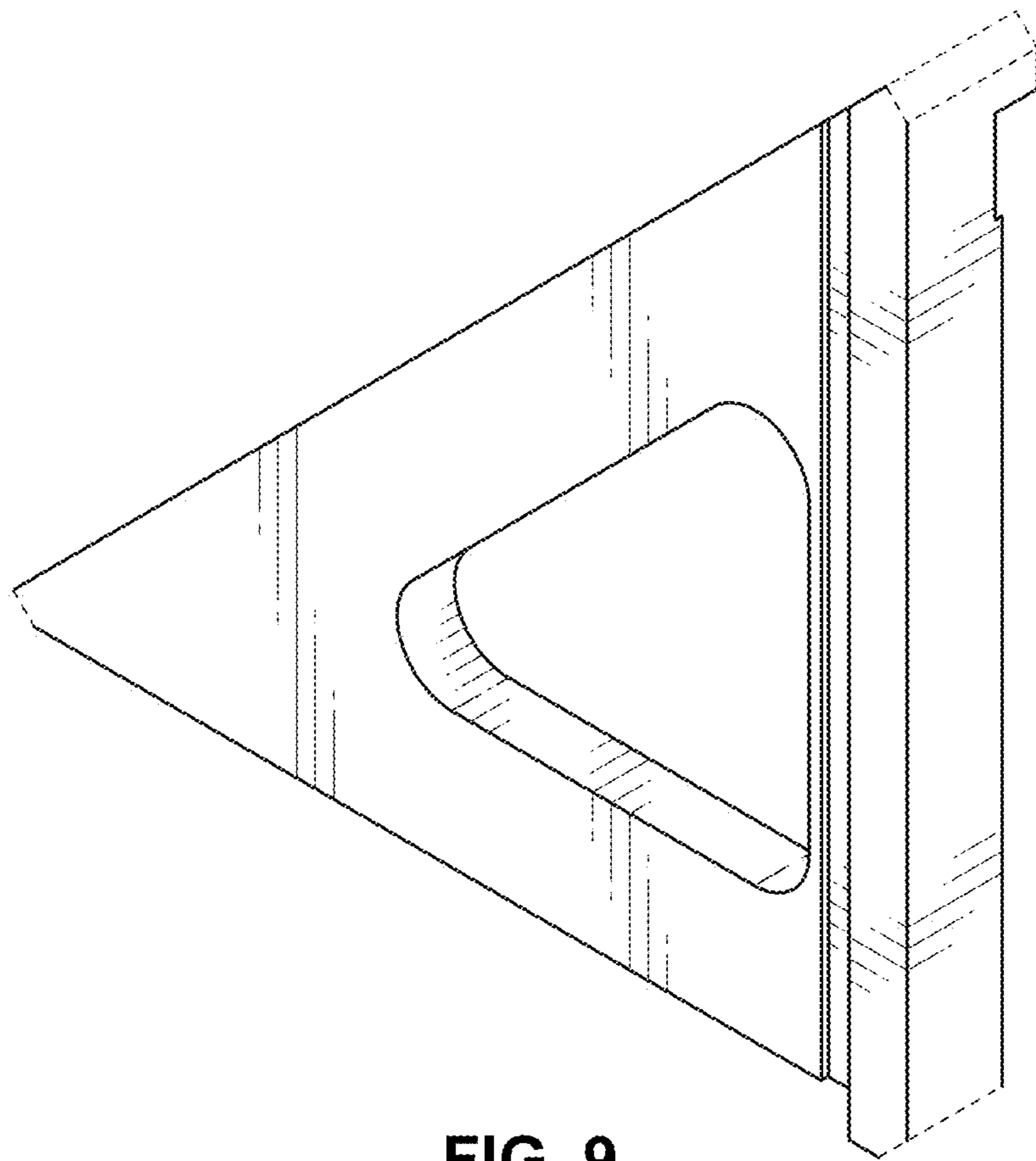


FIG. 9

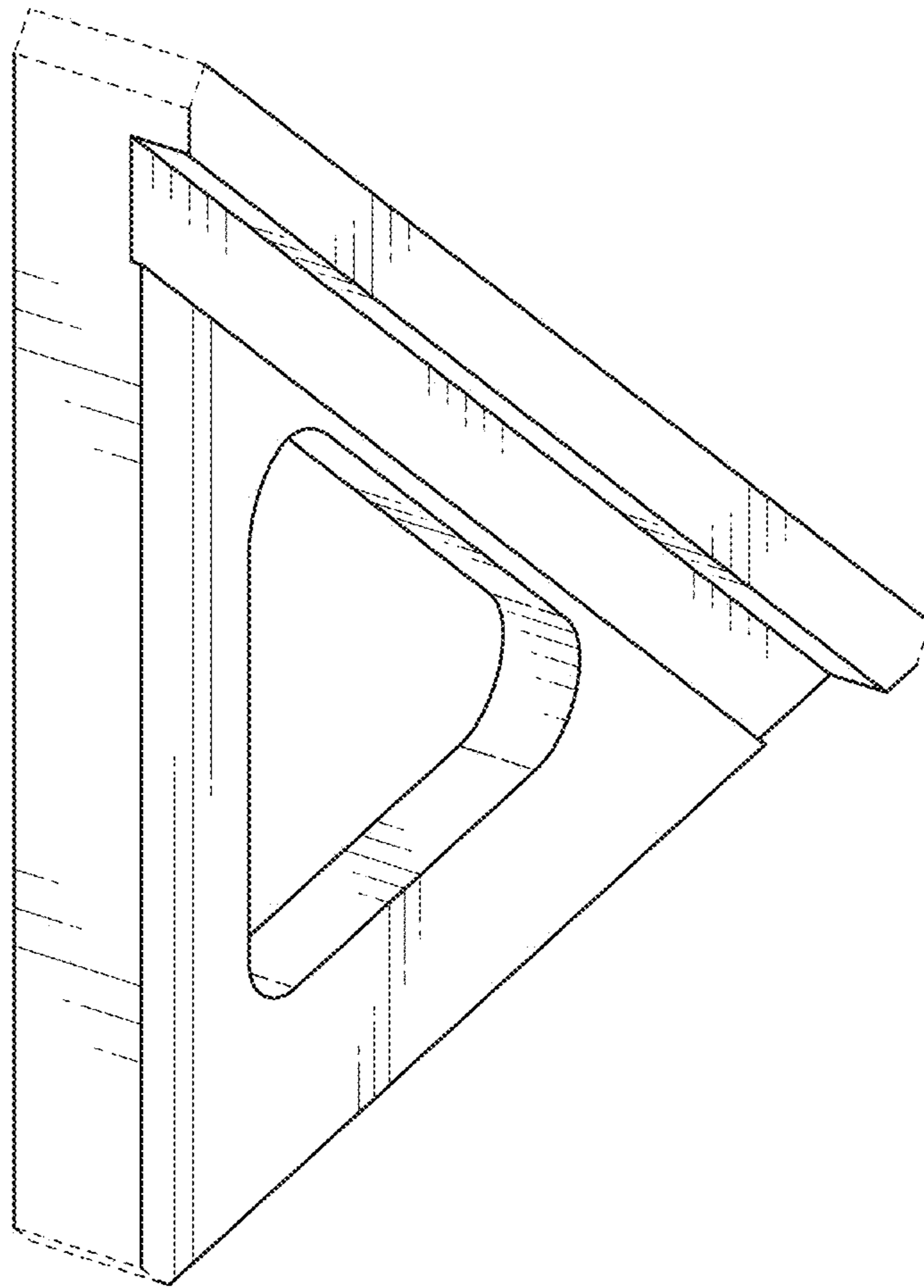


FIG. 10

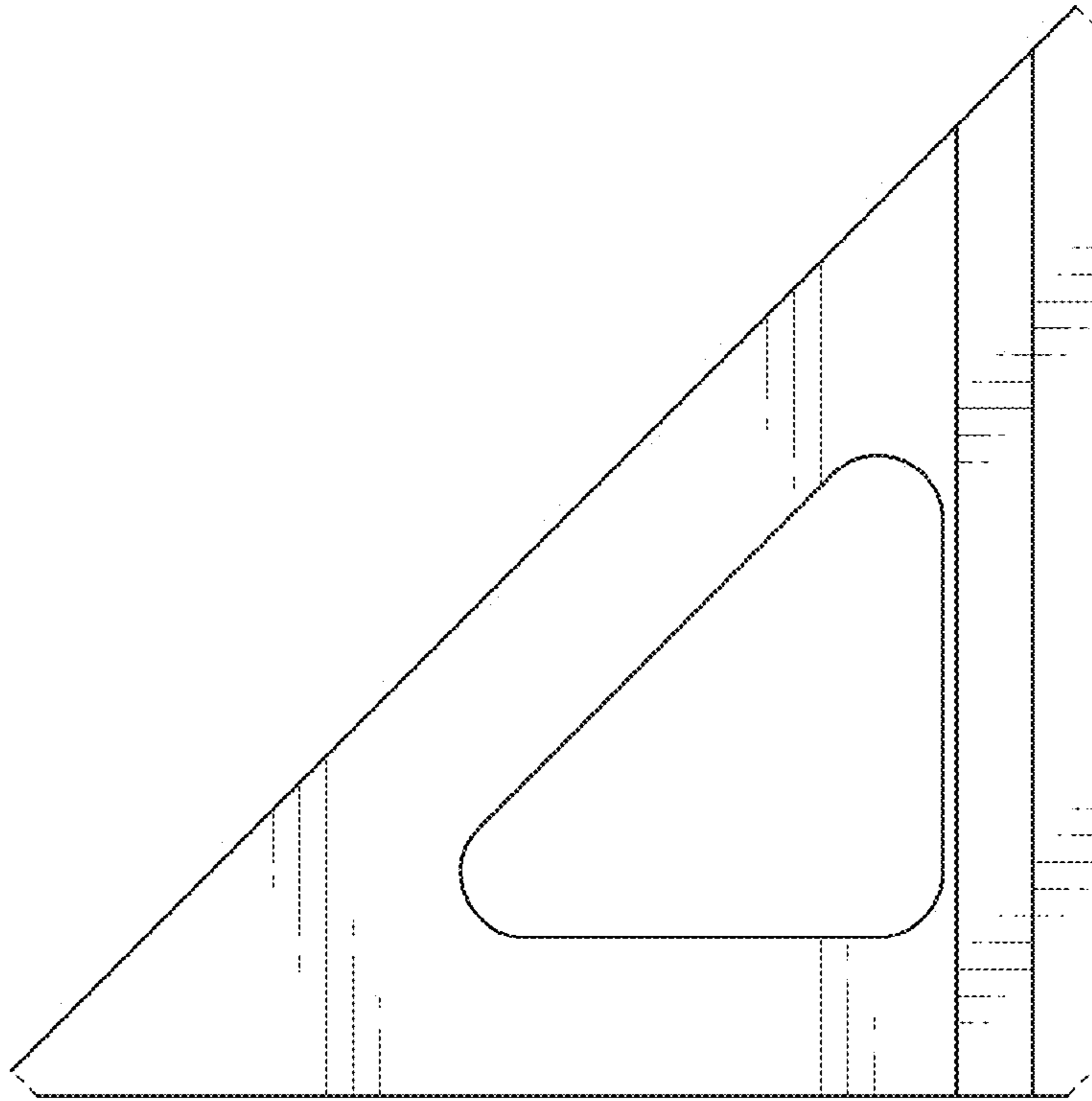


FIG. 11

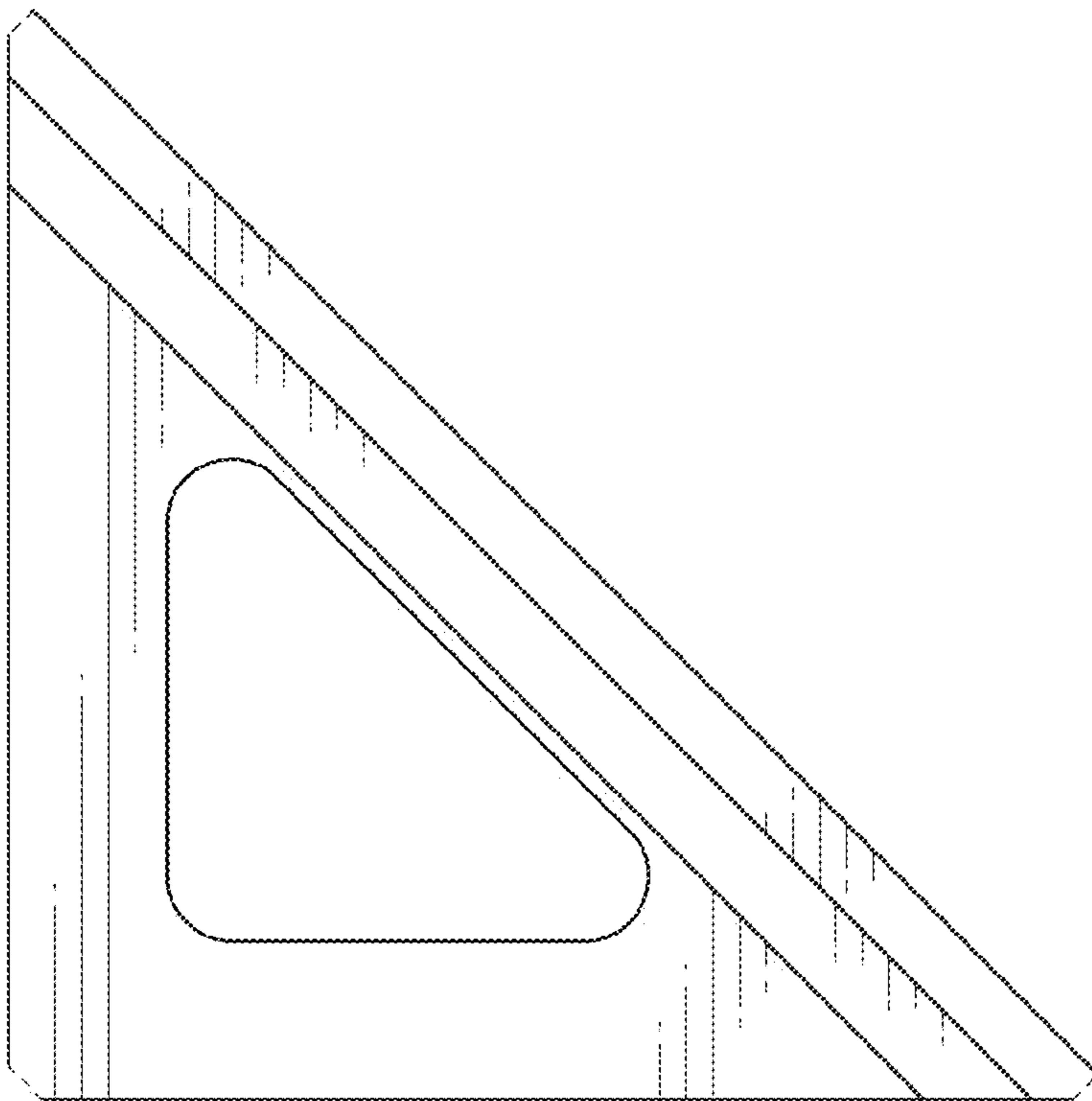


FIG. 12



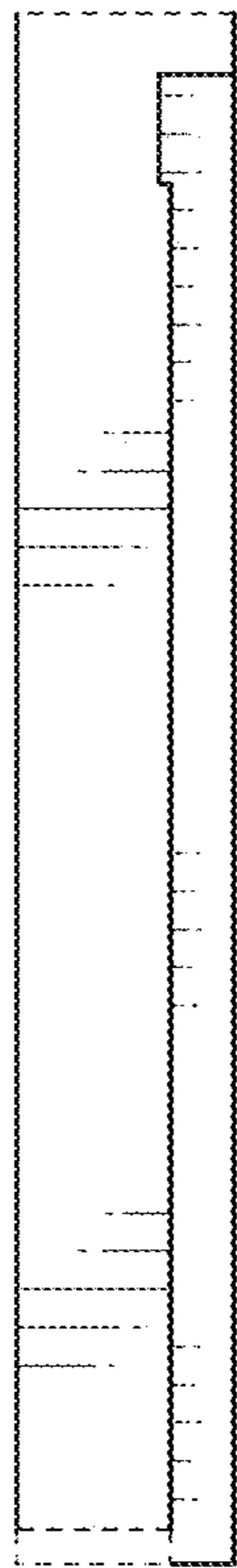


FIG. 13

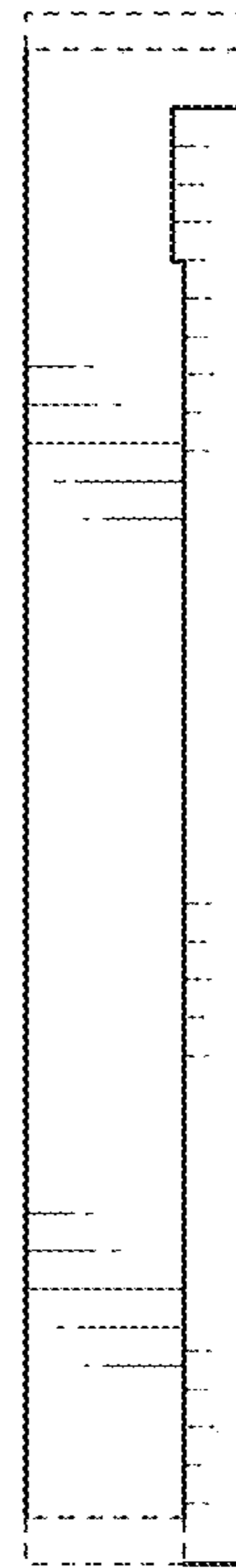


FIG. 14

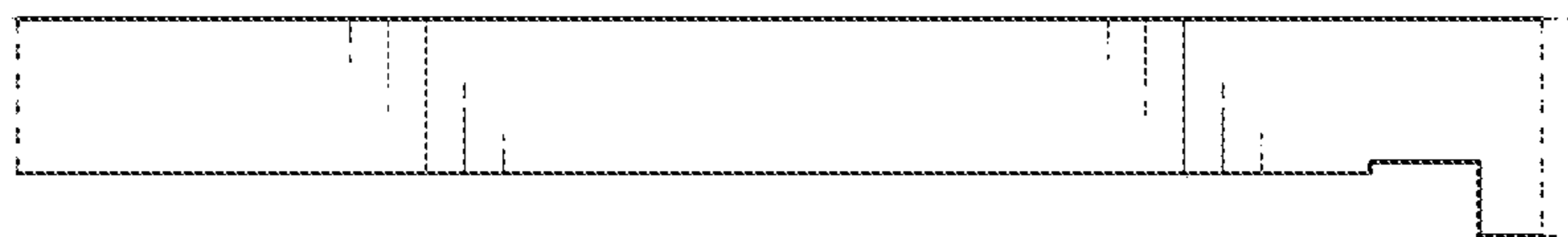


FIG. 15

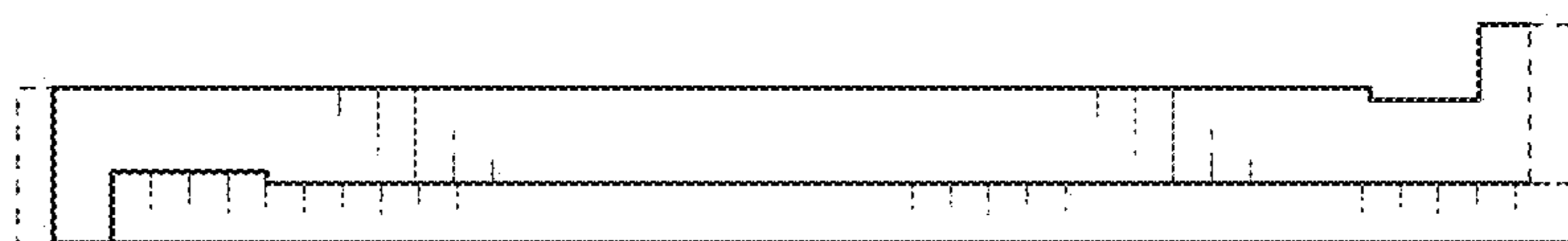


FIG. 16