



US00D757572S

(12) **United States Design Patent**
Varney

(10) **Patent No.:** **US D757,572 S**

(45) **Date of Patent:** **** May 31, 2016**

(54) **T-SQUARE SLIDE TEMPLATE**

6,810,598	B2	11/2004	Boys	
D571,233	S *	6/2008	Rys, Jr.	D10/64
D625,623	S *	10/2010	Smink	D10/64
9,157,247	B2 *	10/2015	Korevaar	E04G 21/22
2012/0118116	A1	5/2012	Mulrine	

(71) Applicant: **Team Enterprises, LLC**, Pikeville, KY
(US)

(72) Inventor: **Curtis Randy Varney**, Pikeville, KY
(US)

* cited by examiner

(**) Term: **14 Years**

Primary Examiner — Antoine D Davis

(21) Appl. No.: **29/519,189**

(74) *Attorney, Agent, or Firm* — Dinsmore & Shohl LLP;
Monika L. Jaensson, Esq.

(22) Filed: **Mar. 3, 2015**

(57) **CLAIM**

(51) **LOC (10) Cl.** **10-04**

The ornamental design for a t-square slide template, as shown and described.

(52) **U.S. Cl.**

USPC **D10/64**

(58) **Field of Classification Search**

DESCRIPTION

USPC D10/64, 65

CPC B43L 13/02; B43L 13/04; B43L 13/041;
B43L 13/043; B43L 13/045; B43L 13/046;
B43L 13/048; B43L 13/06; B43L 13/08;
B43L 13/20; B43L 13/201; B43L 13/203;
B43L 13/205; B43L 13/206; B43L 13/208;
B43L 7/005; B43L 7/027

FIG. 1 is a perspective view of a t-square slide template;
FIG. 2 is a front elevation view thereof;
FIG. 3 is a rear elevation view thereof;
FIG. 4 is a right side elevation view thereof;
FIG. 5 is a right side elevation view thereof;
FIG. 6 is a left side elevation view thereof; and,
FIG. 7 is a left side view thereof.

See application file for complete search history.

The broken lines are for illustrative purposes only and form no part of the claimed design.

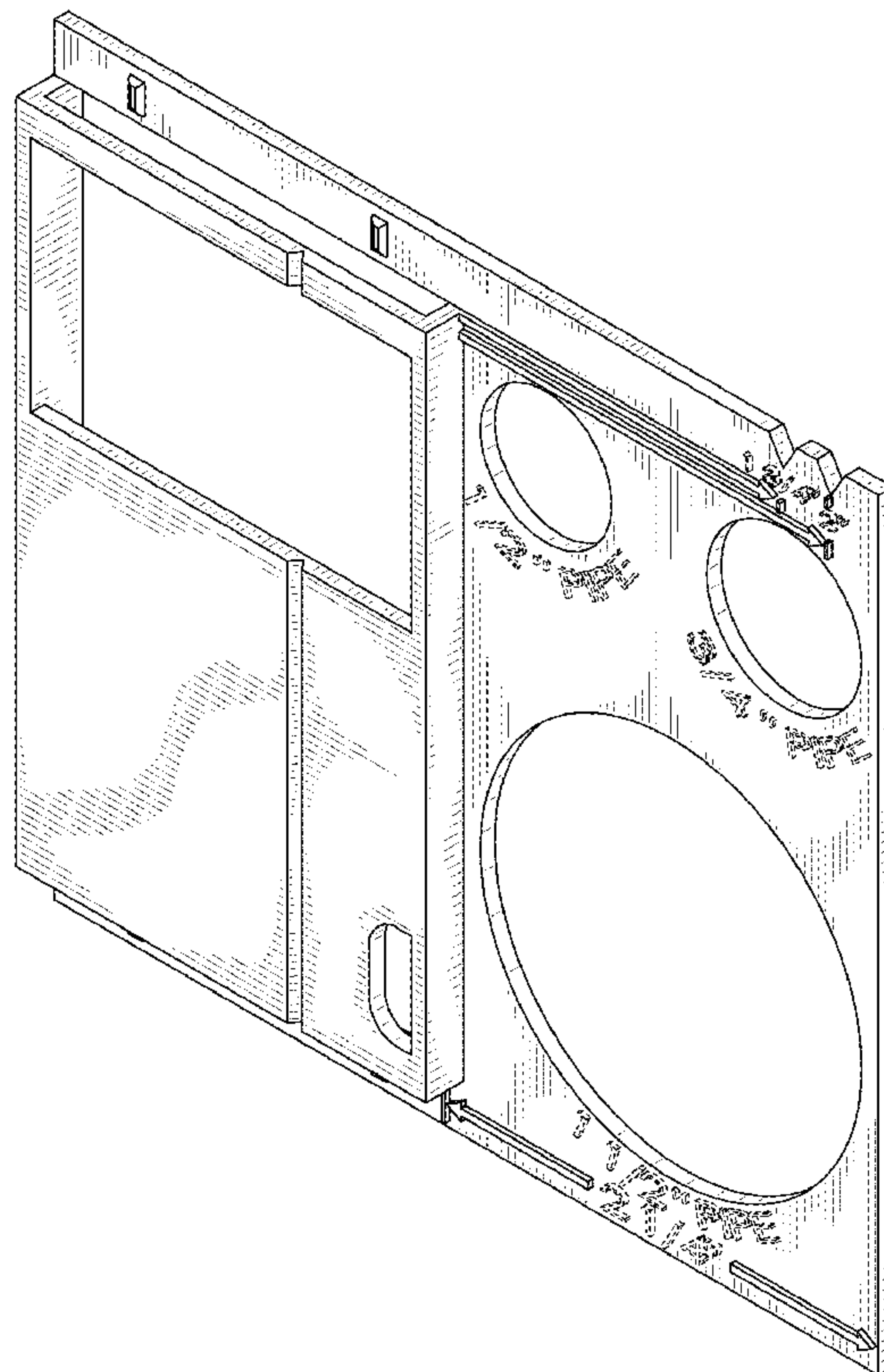
Any portion between the break lines forms no part of the claimed design.

(56) **References Cited**

U.S. PATENT DOCUMENTS

5,860,219	A	1/1999	Wilkinson
6,289,594	B1	9/2001	Wrobbel

1 Claim, 5 Drawing Sheets



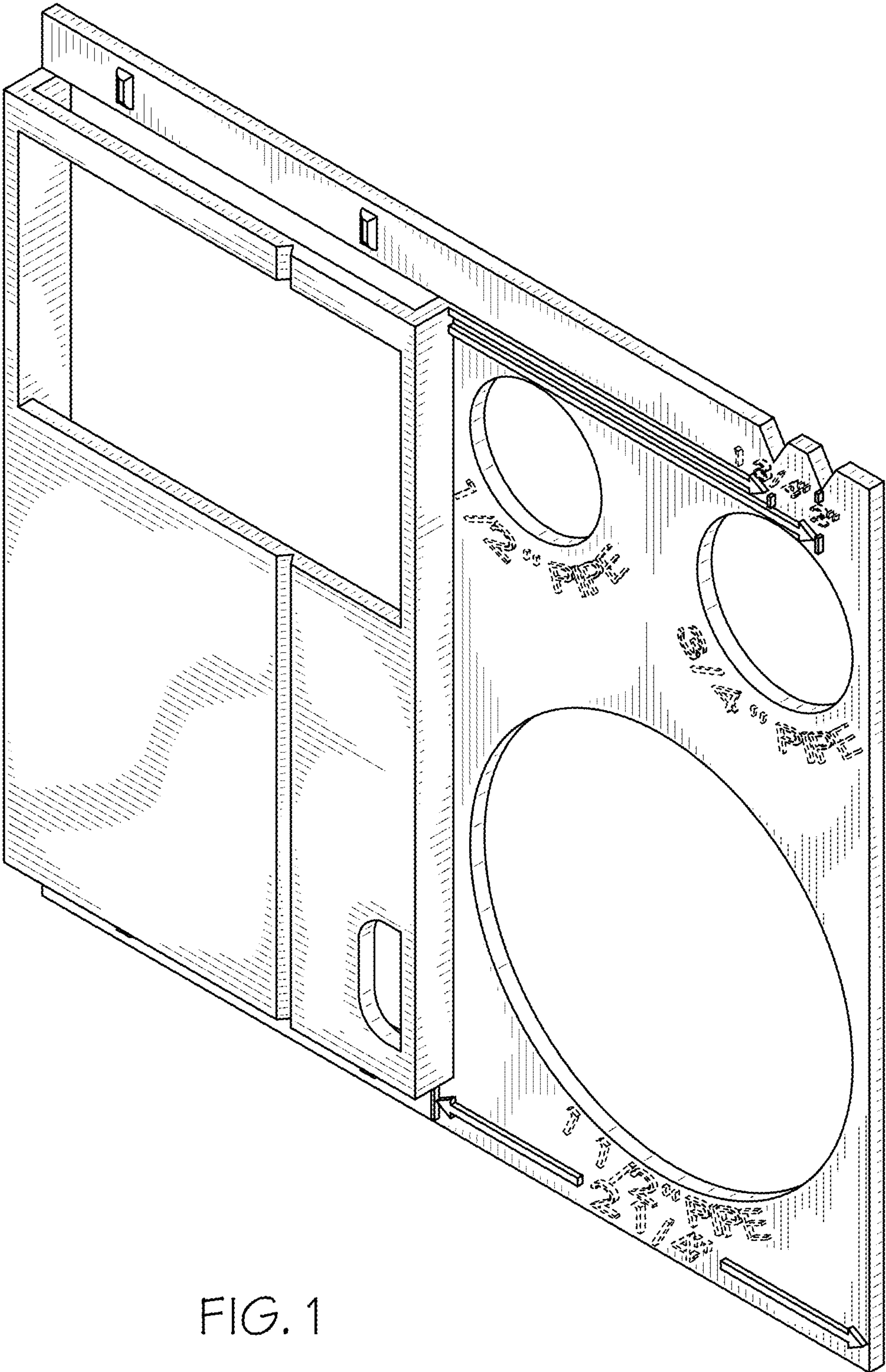


FIG. 1

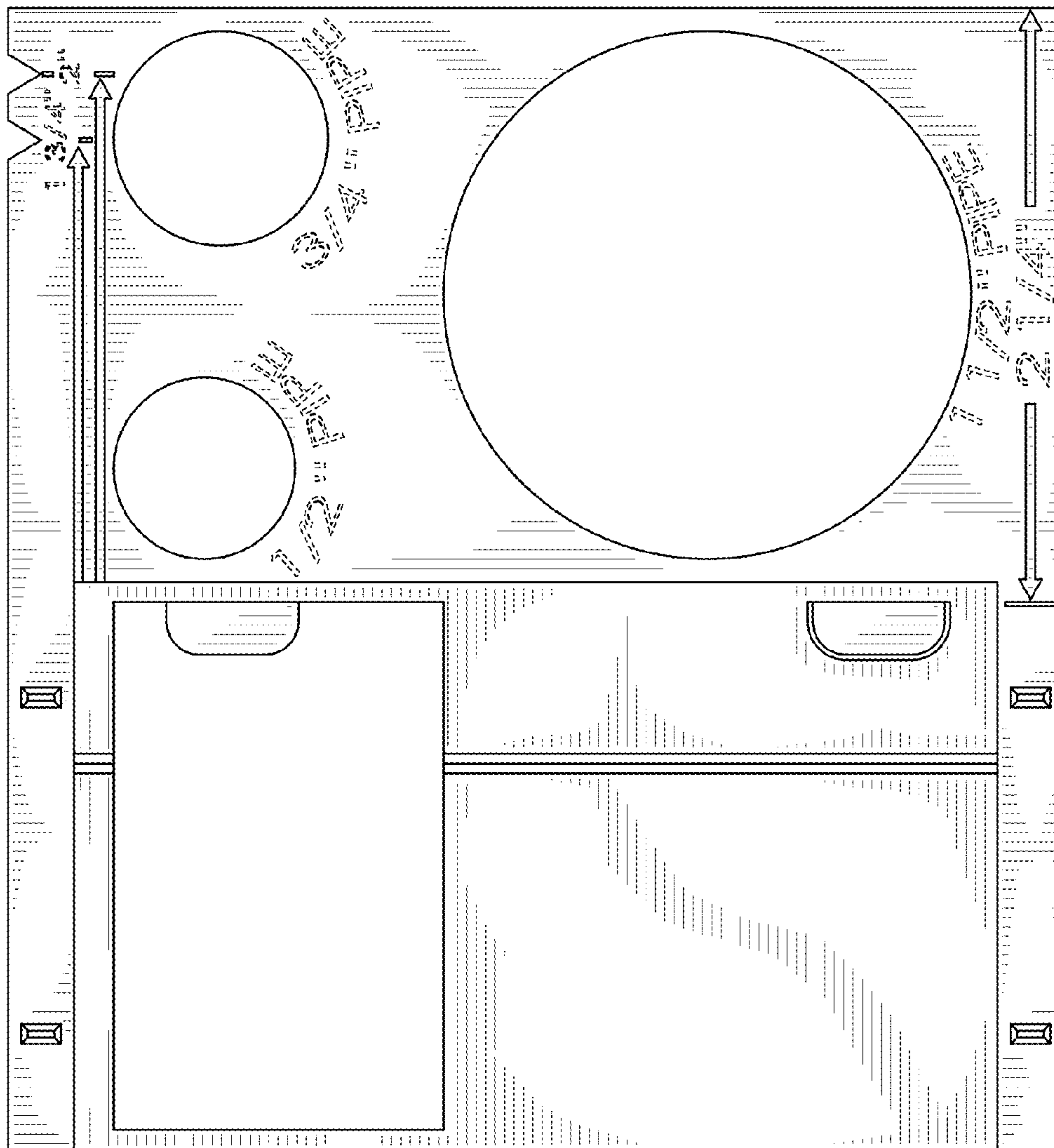


FIG. 2

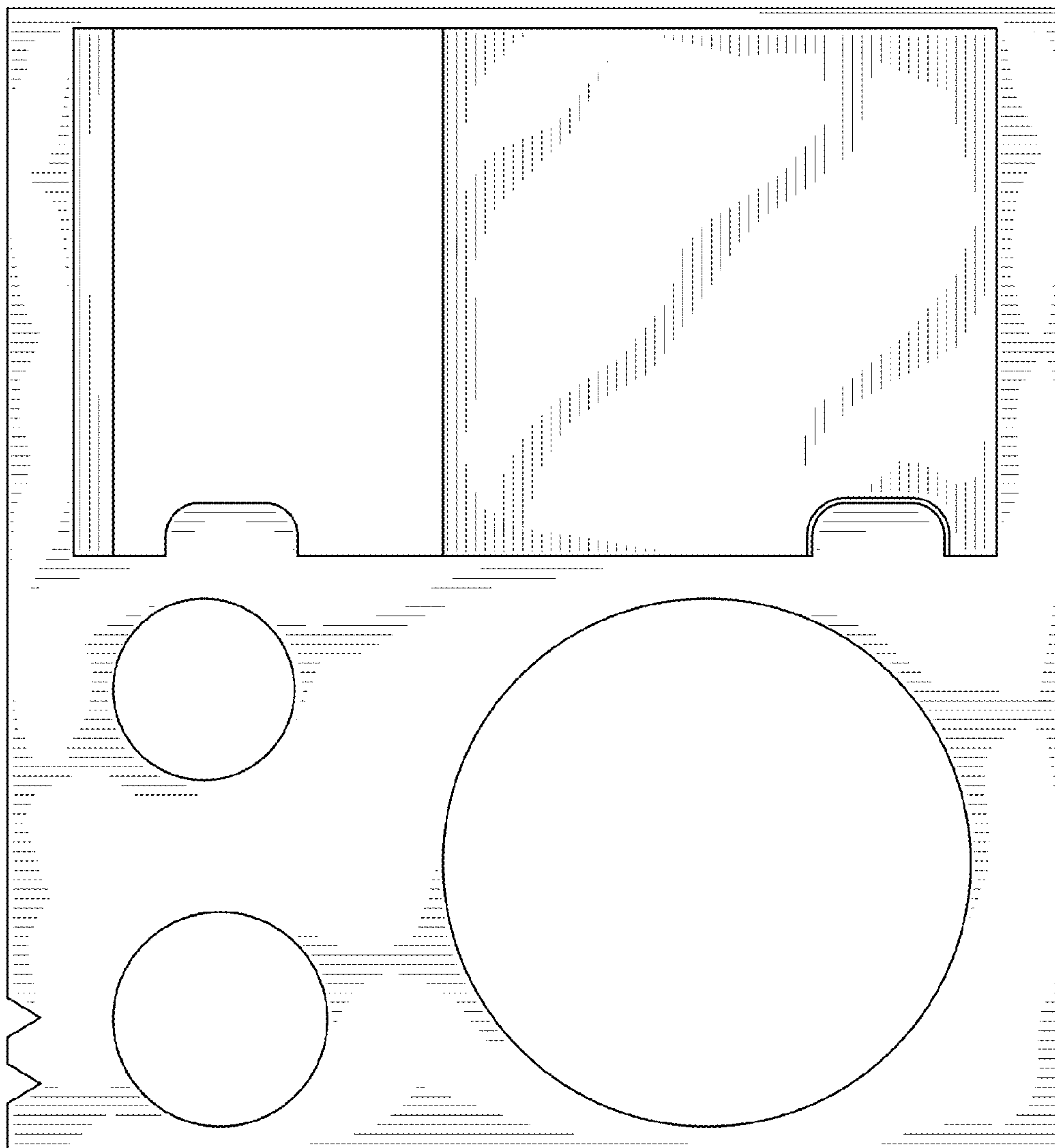


FIG. 3

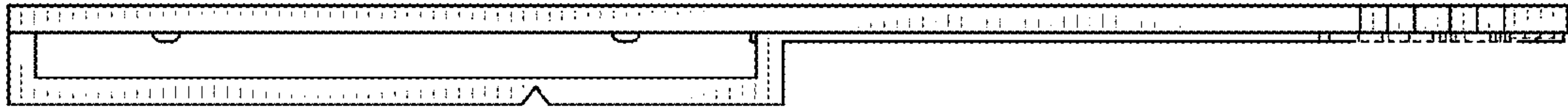


FIG. 4

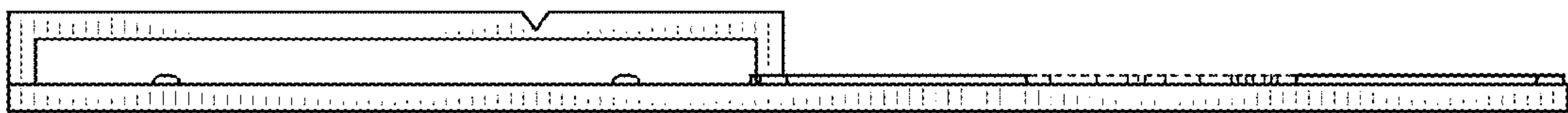


FIG. 5

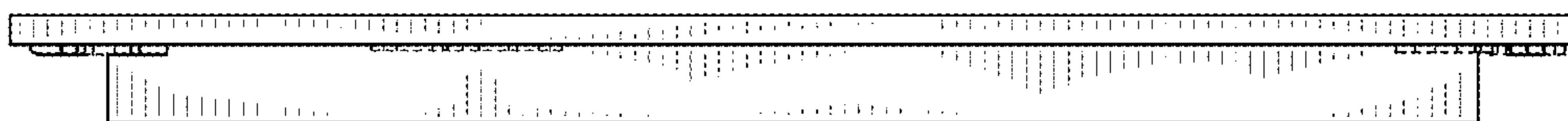


FIG. 7

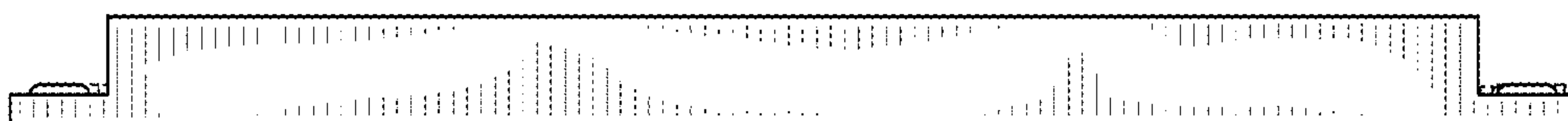


FIG. 6