

US00D757570S

(12) **United States Design Patent**
Wacks

(10) **Patent No.:** **US D757,570 S**

(45) **Date of Patent:** **** May 31, 2016**

(54) **GEOMETRIC WATCH CASE**
(71) Applicant: **Patrick Dale Wacks**, Canton, OH (US)
(72) Inventor: **Patrick Dale Wacks**, Canton, OH (US)
(**) Term: **14 Years**

D336,249 S * 6/1993 Sugano D10/21
D365,286 S * 12/1995 Florian D10/32
5,754,499 A * 5/1998 Lin G04B 37/0066
368/236
D437,790 S * 2/2001 Isley D10/31
D536,268 S * 2/2007 Asakawa D10/38
D546,204 S * 7/2007 Wunderman D10/33
D672,256 S * 12/2012 Behar D10/39
D694,129 S * 11/2013 Mais D10/38

(21) Appl. No.: **29/526,506**

* cited by examiner

(22) Filed: **May 11, 2015**

Primary Examiner — Martie K Holtje

(51) **LOC (10) Cl.** **10-02**

(74) *Attorney, Agent, or Firm* — Howard L. Wernow; Sand & Sebolt

(52) **U.S. Cl.**
USPC **D10/38; D10/128**

(58) **Field of Classification Search**
USPC D10/30-39, 1-29, 122-132
CPC G04B 19/00; G04B 19/18; G04B 19/28;
G04B 37/00; G04B 37/0008; G04B 37/0058;
G04B 37/04; G04B 45/00; G04B 45/0069
See application file for complete search history.

(57) **CLAIM**
The ornamental design for a geometric watch case, as shown and described.

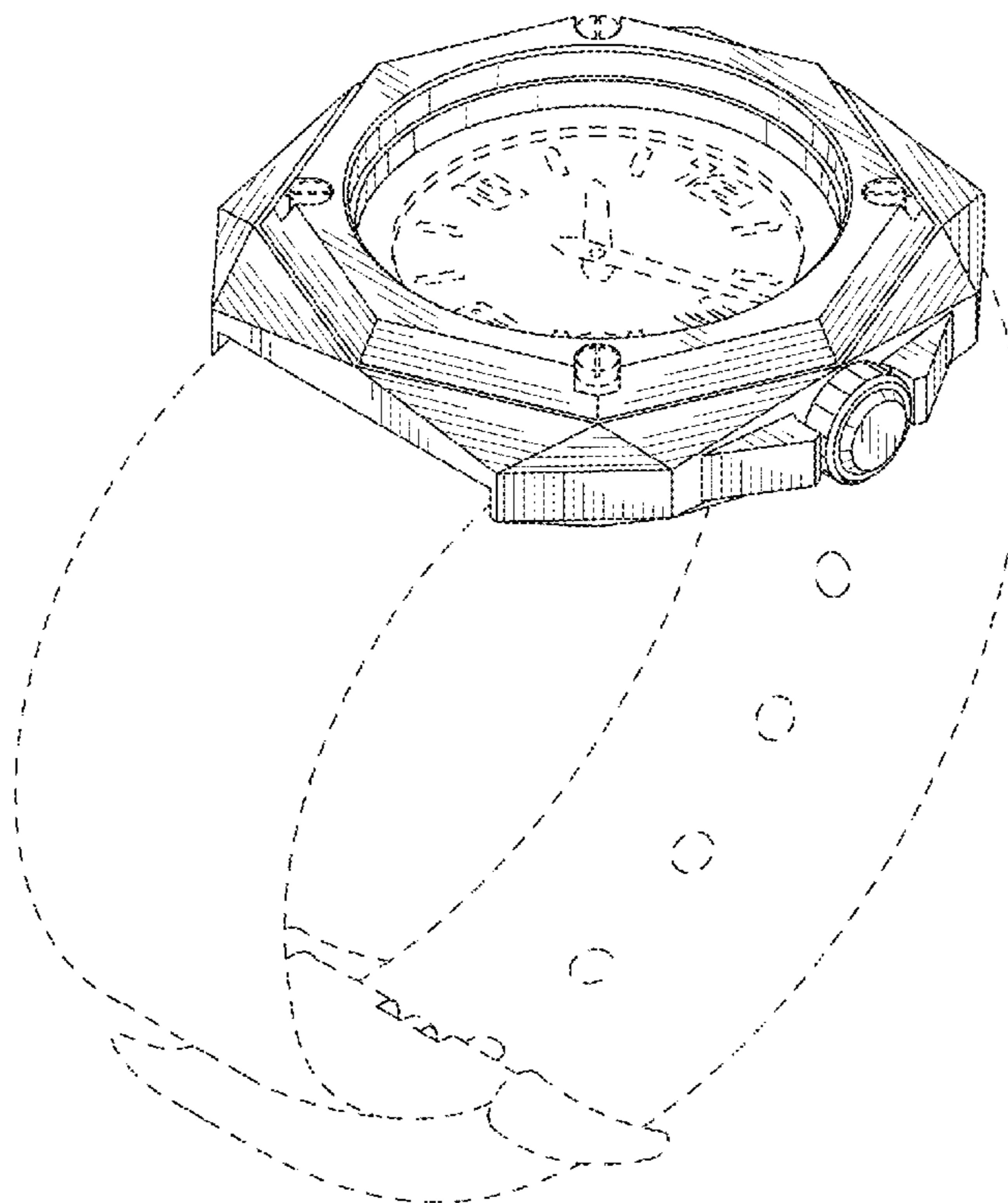
DESCRIPTION

FIG. 1 is a right front perspective view of a geometric watch case showing my new design;
FIG. 2 is a front elevational view thereof;
FIG. 3 is a rear elevational view thereof;
FIG. 4 is a left side elevational view thereof;
FIG. 5 is a right side elevational view thereof;
FIG. 6 is a top plan view thereof; and,
FIG. 7 is a bottom plan view thereof.
The structural features depicted by broken lines have been shown for the purpose of illustrating portions of the geometric watch case that form no part of the claimed design.

(56) **References Cited**
U.S. PATENT DOCUMENTS

1,629,339 A * 5/1927 Hankinson A44C 5/0053
224/173
1,634,447 A * 7/1927 Bowen G04B 37/04
29/896.33
D106,037 S * 9/1937 Hentschel D10/21
D252,138 S * 6/1979 Onodera D10/30
D263,377 S * 3/1982 Bvlgari D10/39
D313,187 S * 12/1990 Muller D10/39
D325,878 S * 5/1992 Bulgari D10/39

1 Claim, 4 Drawing Sheets



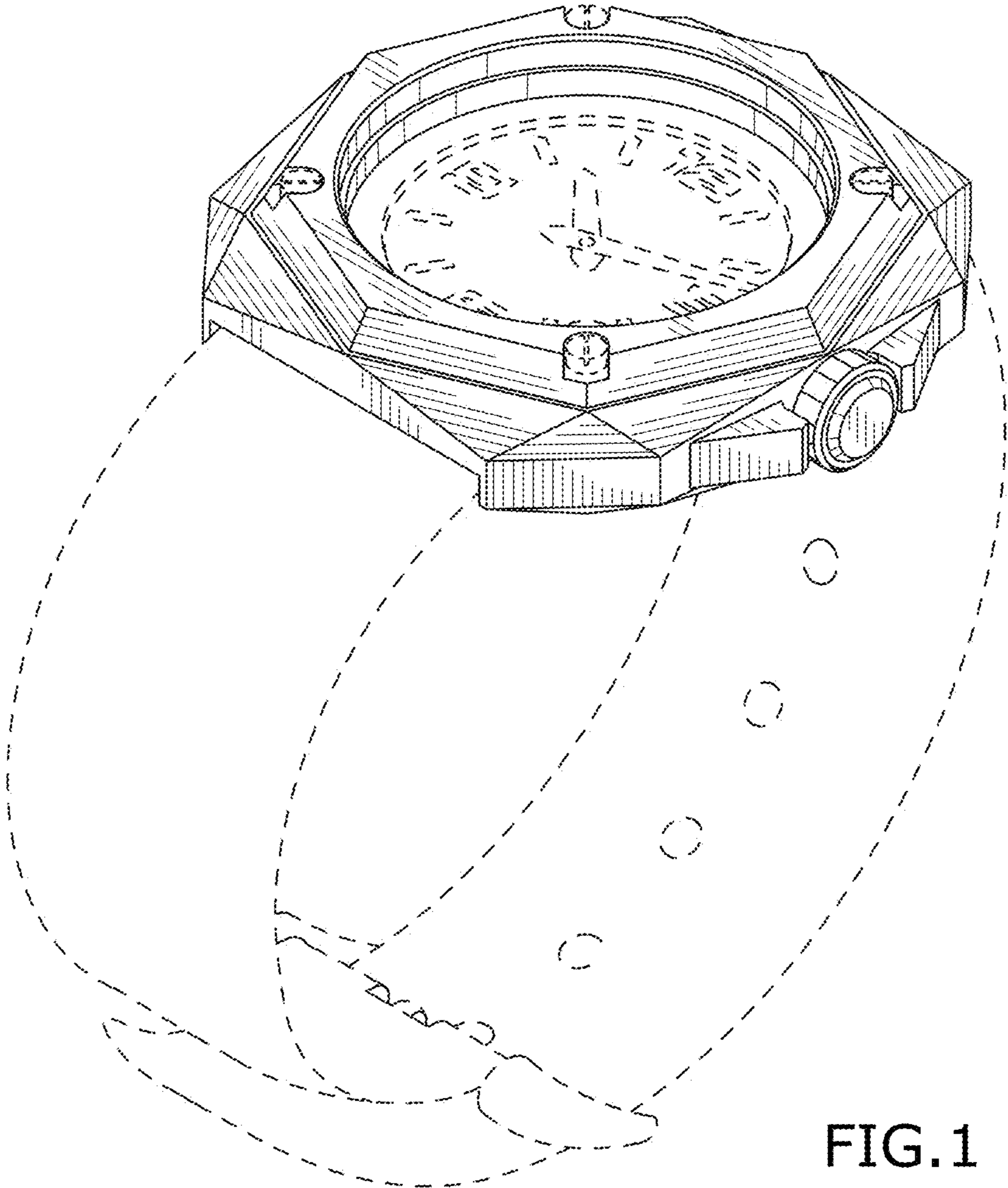


FIG. 1

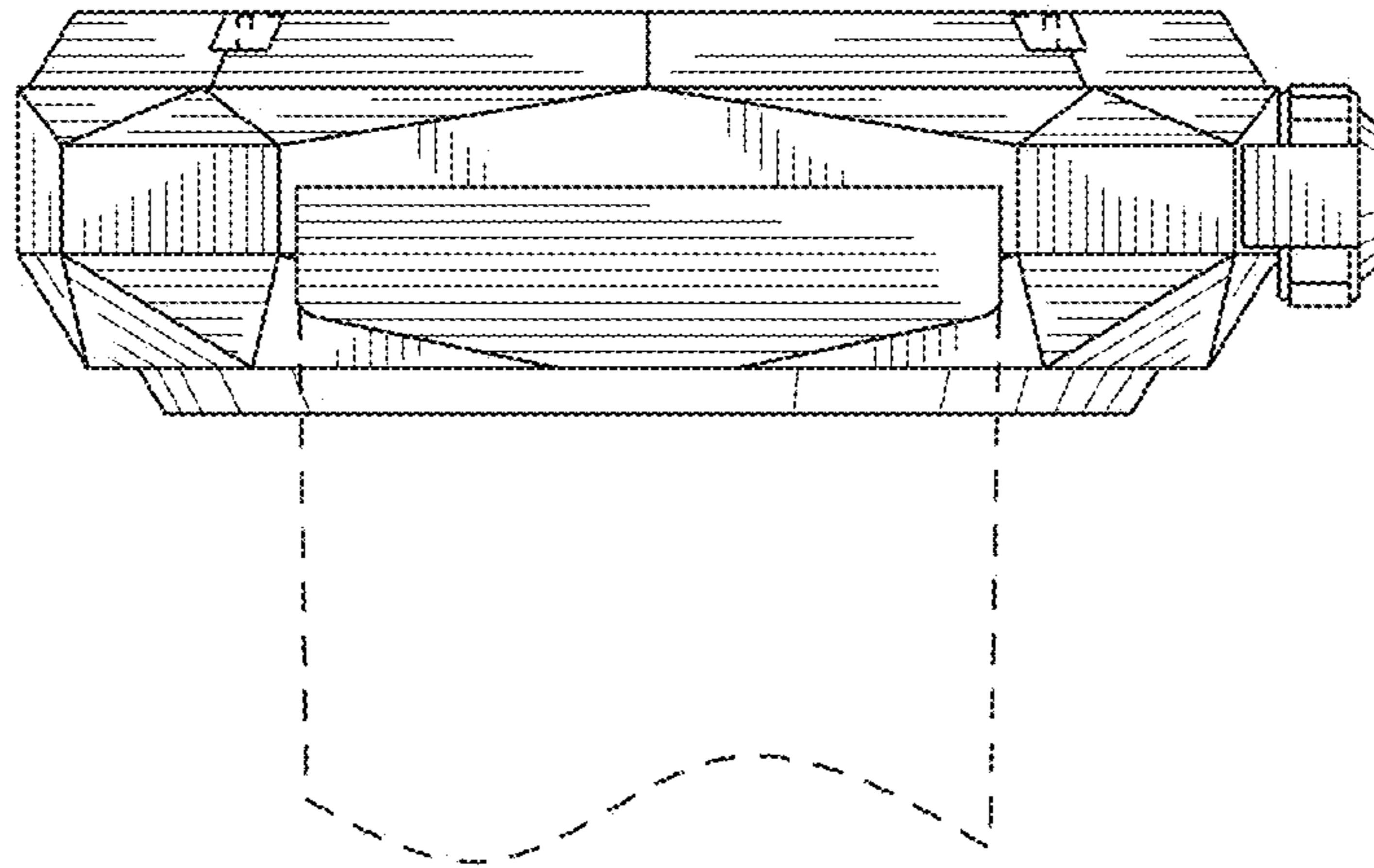


FIG. 2

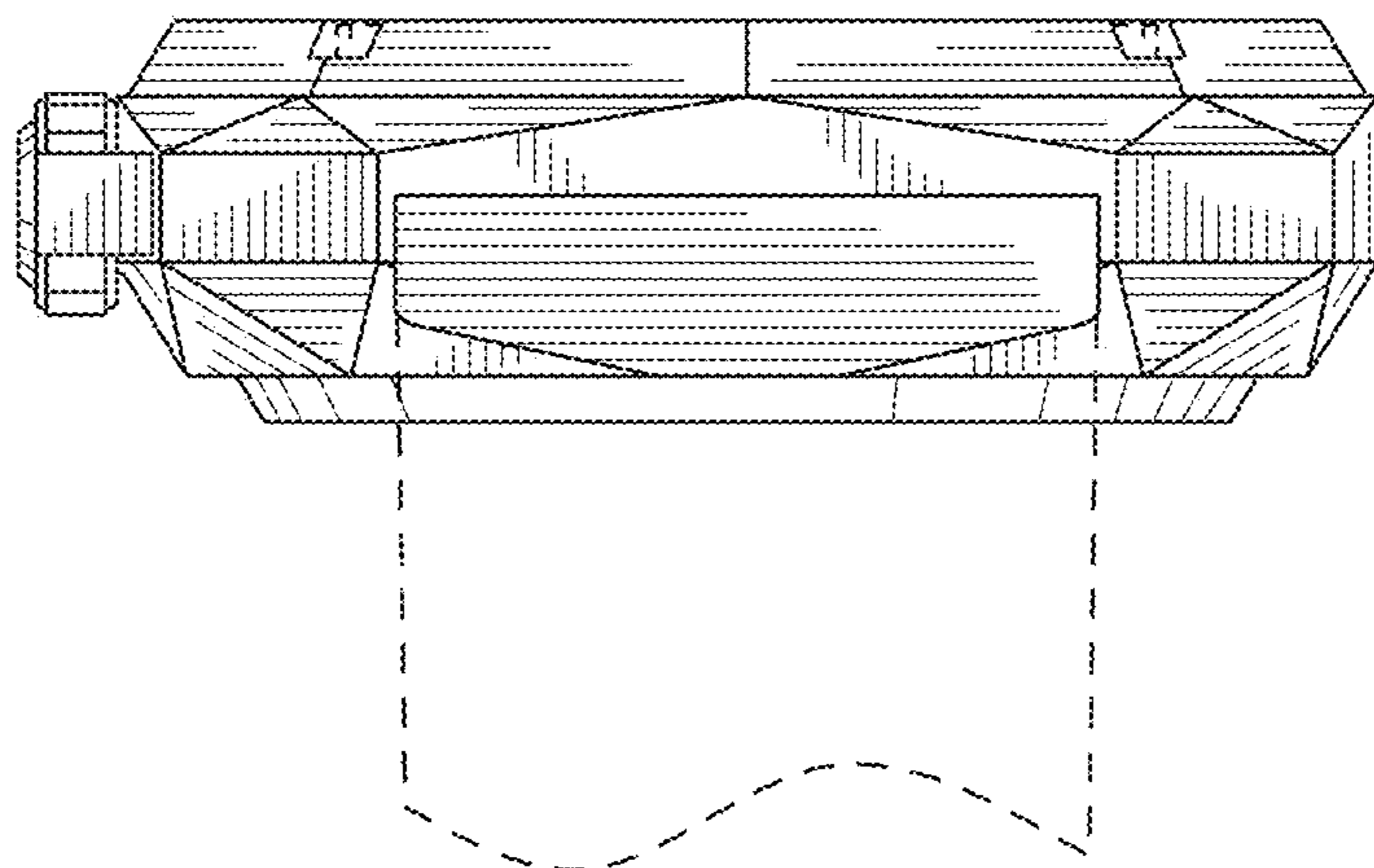


FIG. 3

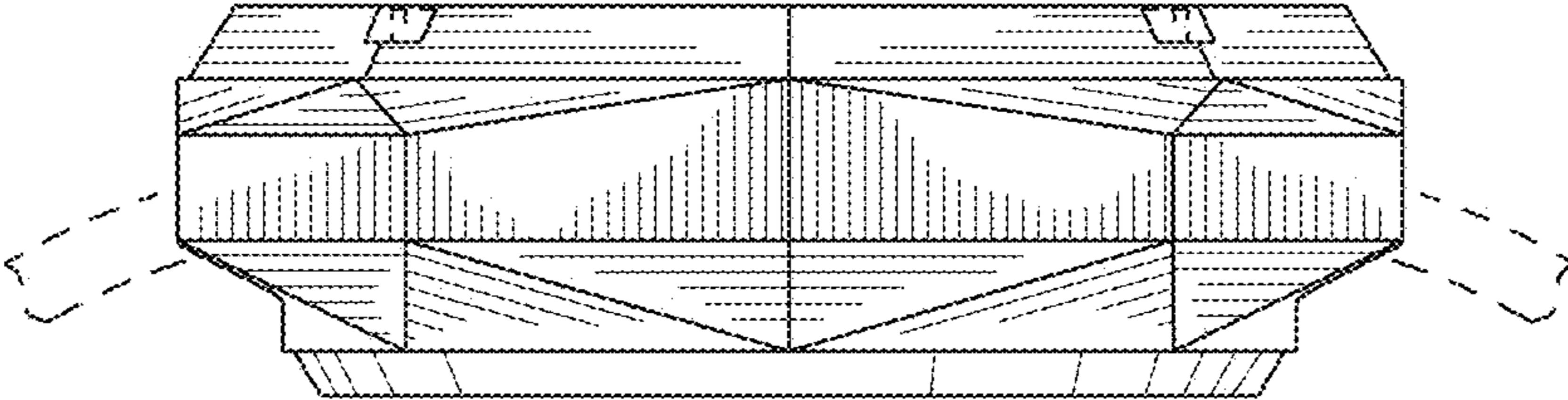


FIG. 4

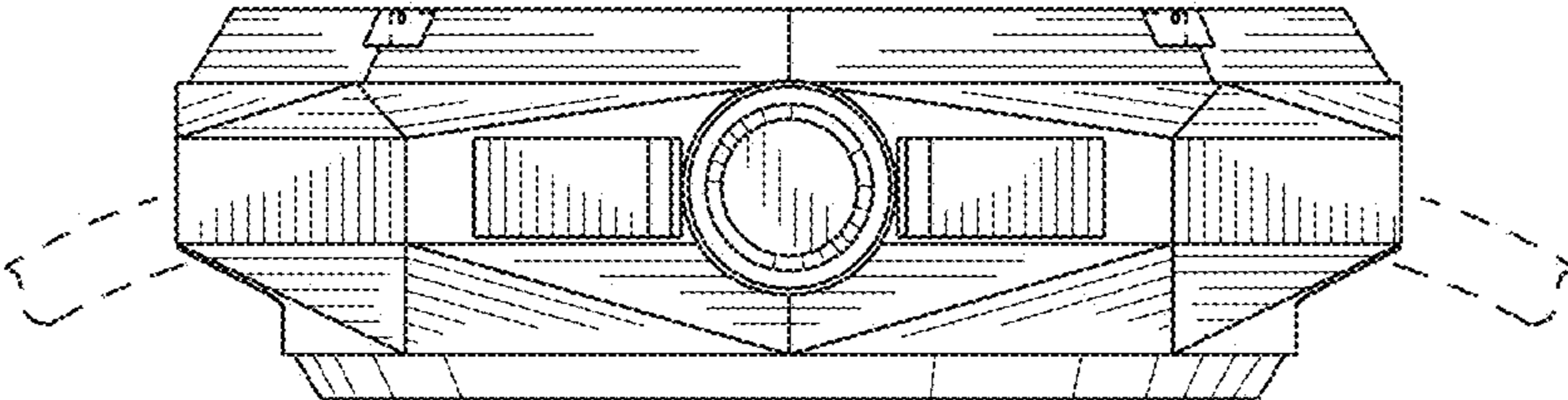


FIG. 5

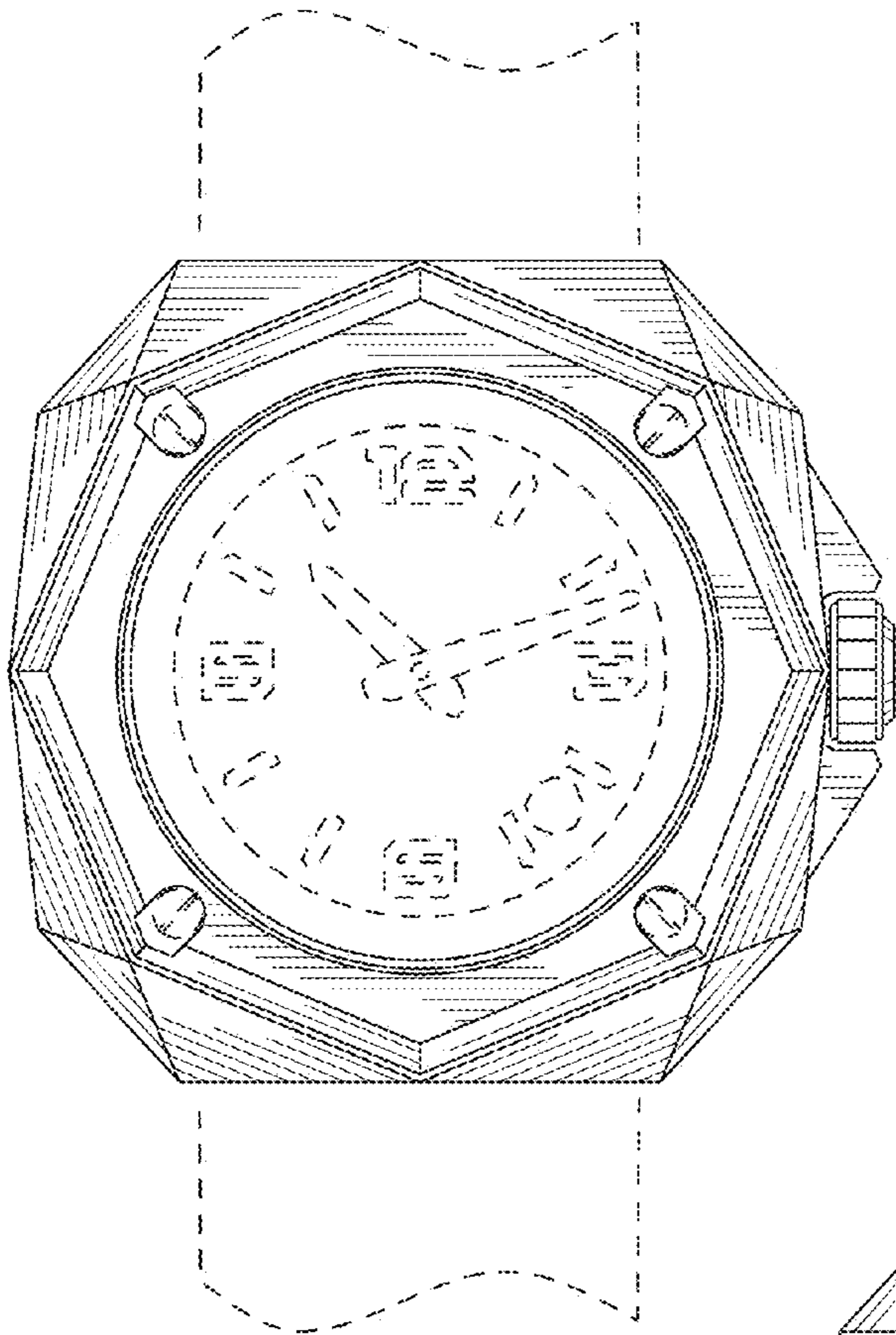


FIG. 6

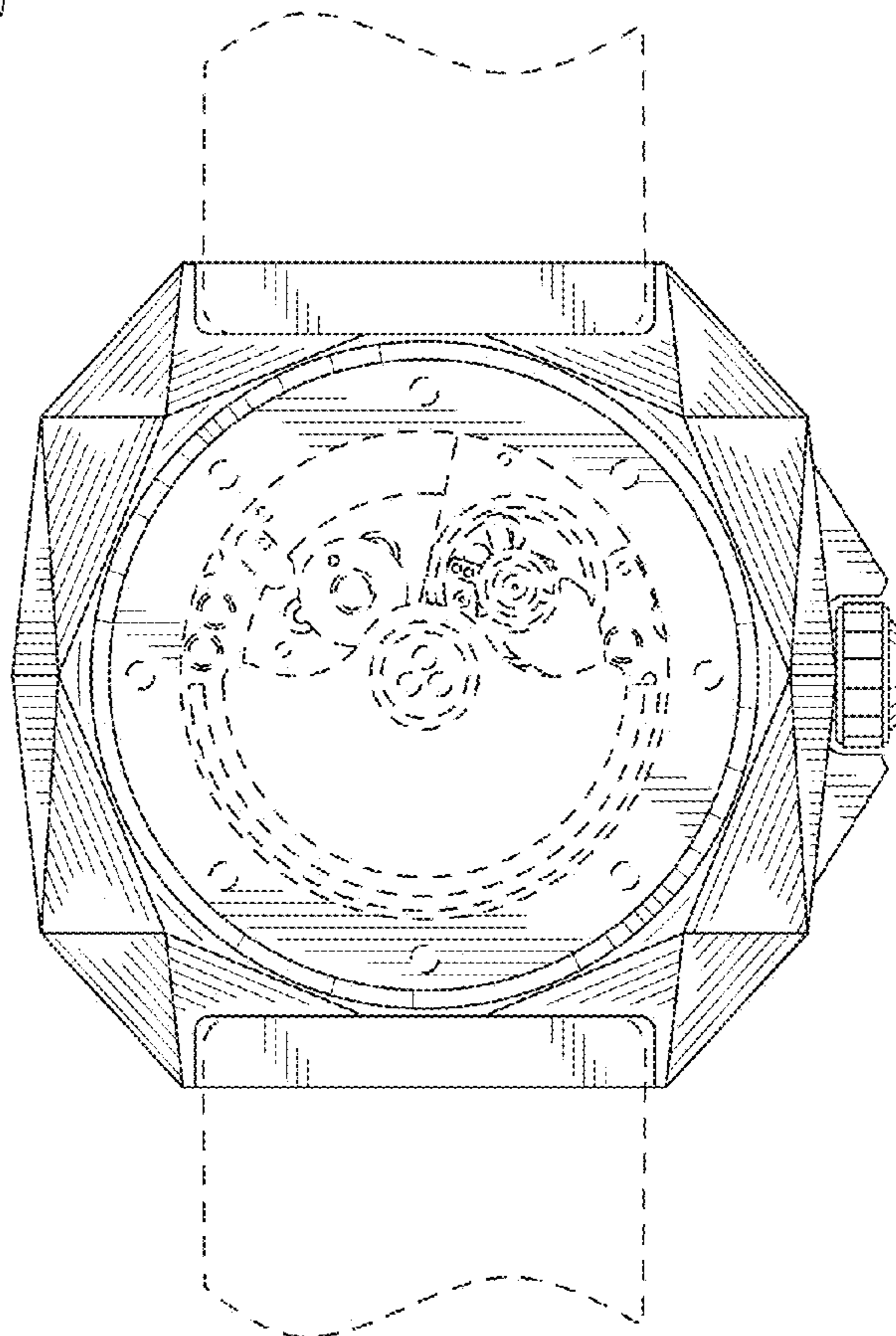


FIG. 7